



US00D805305S

(12) **United States Design Patent** (10) **Patent No.:** **US D805,305 S**  
**Wang** (45) **Date of Patent:** **\*\* Dec. 19, 2017**

(54) **PERSONAL CARE DEVICE**  
(71) Applicant: **Michael Todd True Organics, LP**, Port St. Lucie, FL (US)  
(72) Inventor: **Lunlun Wang**, Ningbo (CN)  
(73) Assignee: **MICHAEL TODD BEAUTY LP**, Port St. Lucie, FL (US)  
(\*\*) Term: **15 Years**  
(21) Appl. No.: **29/536,434**  
(22) Filed: **Aug. 17, 2015**  
(51) **LOC (10) Cl.** ..... **04-02**  
(52) **U.S. Cl.**  
USPC ..... **D4/100**  
(58) **Field of Classification Search**  
USPC ..... D4/100, 102, 116, 117, 119, 120, 121, D4/123, 127, 137, 199; D28/9; D24/144, 146  
CPC . A46B 13/02; A46B 13/008; A46B 2200/102; A46B 2200/104; A61B 17/54; A61B 2017/320012; A61B 2017/00734; A61B 2017/00747; A61B 2017/00752; A61B 2017/00761; A61B 2017/320004; A61B 2017/00398  
See application file for complete search history.

(56) **References Cited**  
U.S. PATENT DOCUMENTS  
D301,398 S \* 6/1989 Cheung ..... D32/14.1  
D305,480 S \* 1/1990 Yuen ..... D32/14.1  
5,978,999 A \* 11/1999 deBlois ..... A46B 13/008 15/22.1  
D549,964 S \* 9/2007 Roth ..... D4/102  
D601,803 S \* 10/2009 Reishus ..... D4/102

D679,502 S \* 4/2013 Itano ..... D4/102  
D683,139 S \* 5/2013 Chikos ..... D4/102  
8,484,788 B2 \* 7/2013 Brewer ..... A46B 9/06 15/22.1  
D715,554 S \* 10/2014 Hosler ..... D4/102  
D715,555 S \* 10/2014 Hosler ..... D4/102  
D721,502 S \* 1/2015 Michel ..... D4/100  
D736,462 S \* 8/2015 Hendler ..... D24/112  
D742,647 S \* 11/2015 Hosler ..... D4/102  
D750,893 S \* 3/2016 Owen ..... D4/100  
D753,400 S \* 4/2016 Khoun ..... D4/102  
D764,173 S \* 8/2016 Nichols ..... D4/102  
D767,897 S \* 10/2016 Hosler ..... D4/102  
D773,823 S \* 12/2016 Wong ..... D4/102  
2015/0257521 A1 \* 9/2015 Hendler ..... H02K 33/16 15/22.4  
2016/0270821 A1 \* 9/2016 Hendler ..... A61B 17/54

\* cited by examiner

*Primary Examiner* — John Windmuller  
*Assistant Examiner* — Steven Czyz  
(74) *Attorney, Agent, or Firm* — Eckert Seamans Cherin & Mellott, LLC; Brij J. Agarwal

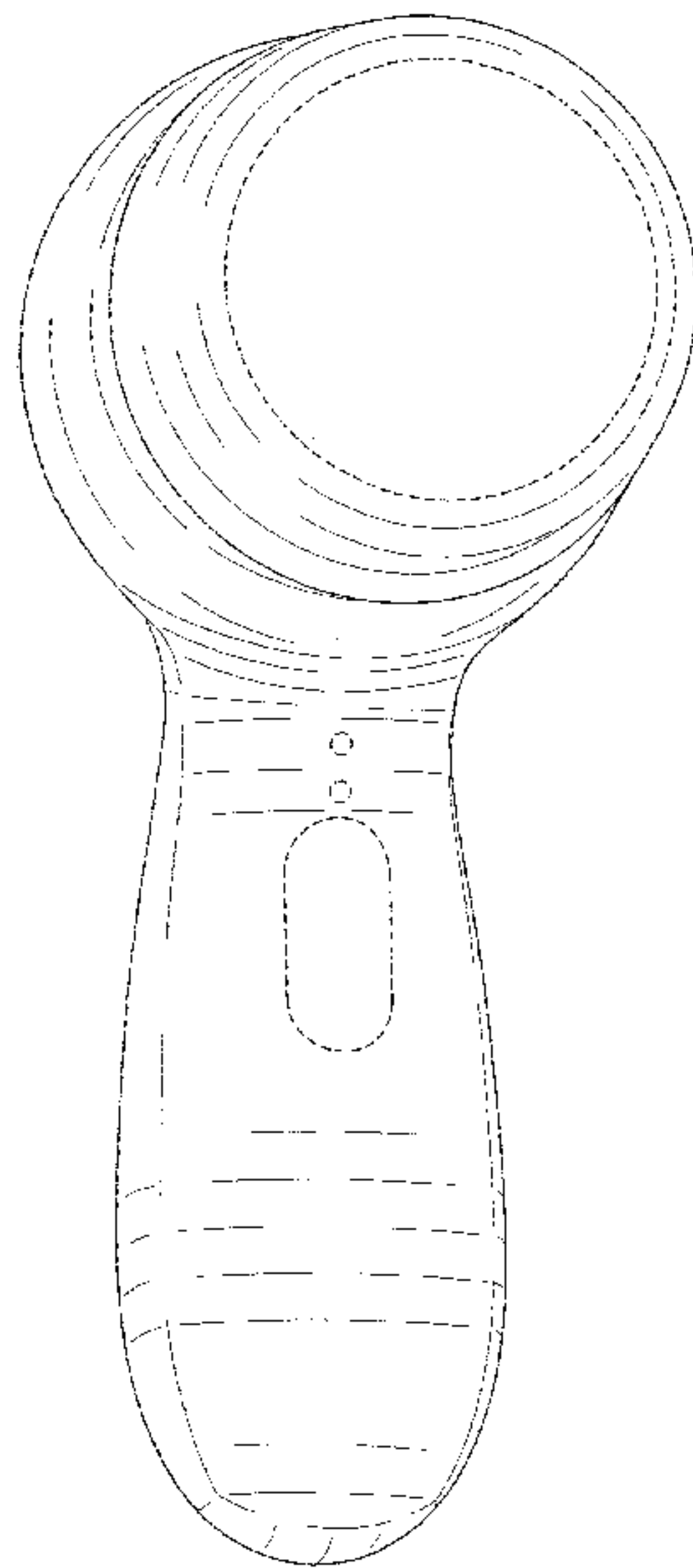
(57) **CLAIM**

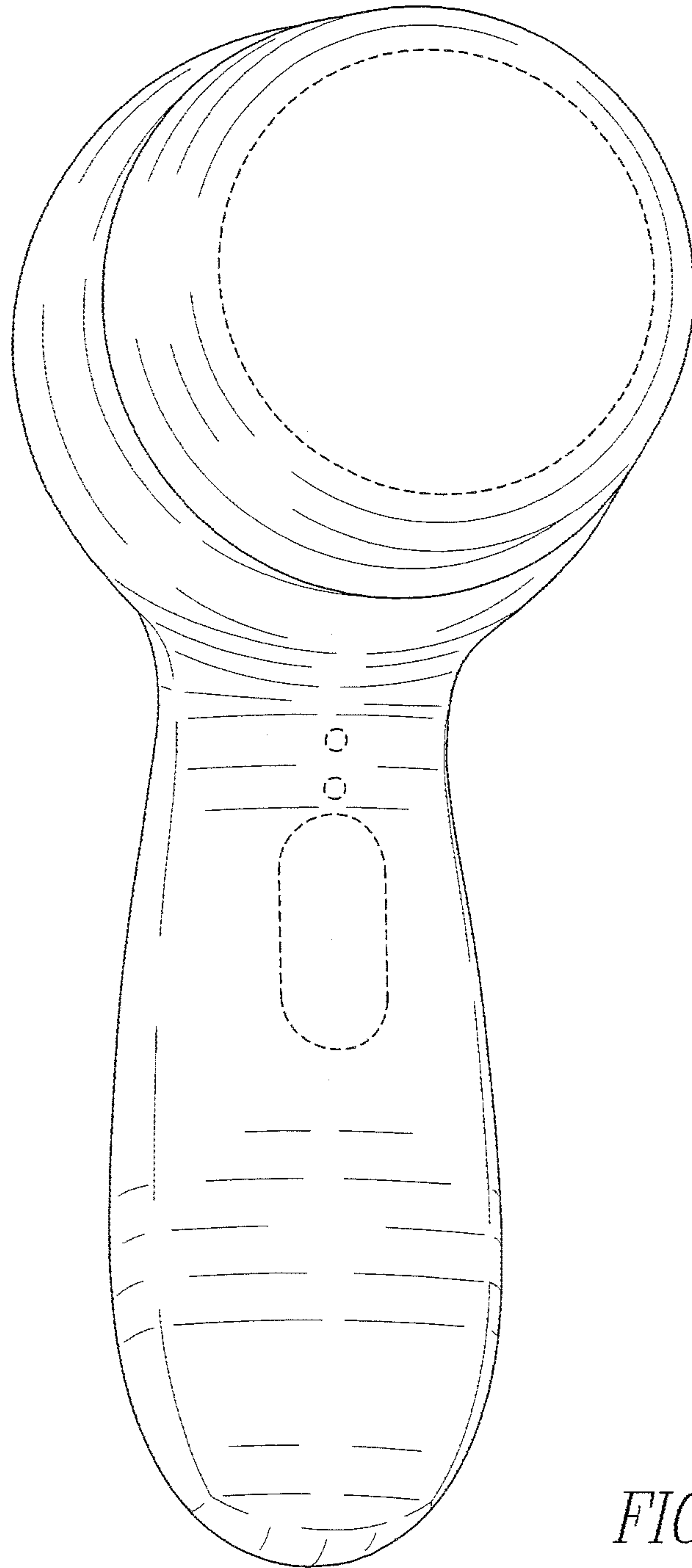
The ornamental design for a personal care device, as shown and described.

**DESCRIPTION**

FIG. 1 is a perspective view of a personal care device; FIG. 2 is a front elevation view thereof; FIG. 3 is a right side elevation view thereof; FIG. 4 is a left side elevation view thereof; FIG. 5 is a top plan view thereof; FIG. 6 is a bottom plan view thereof; and, FIG. 7 is a rear elevation view thereof.  
The broken lines depict portions of the article that form no part of the claimed design.

**1 Claim, 6 Drawing Sheets**





*FIG.1*

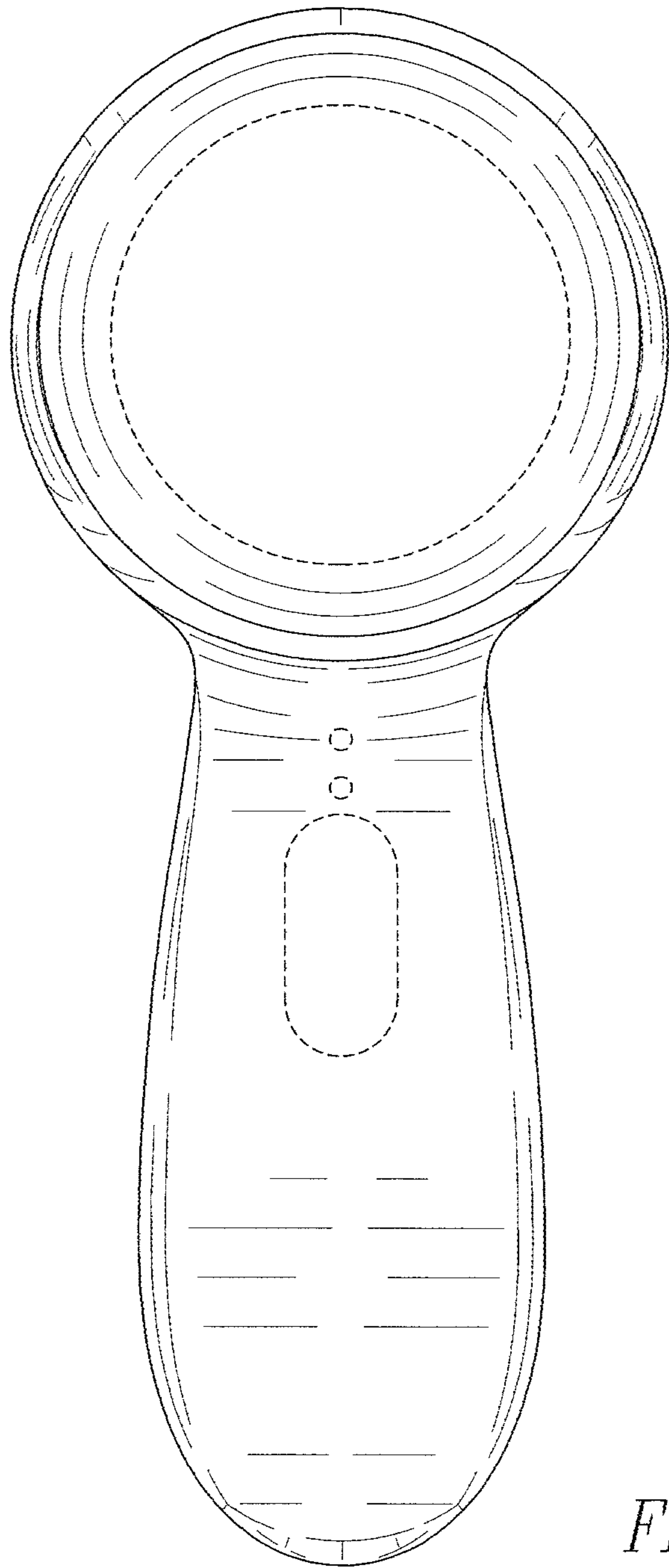
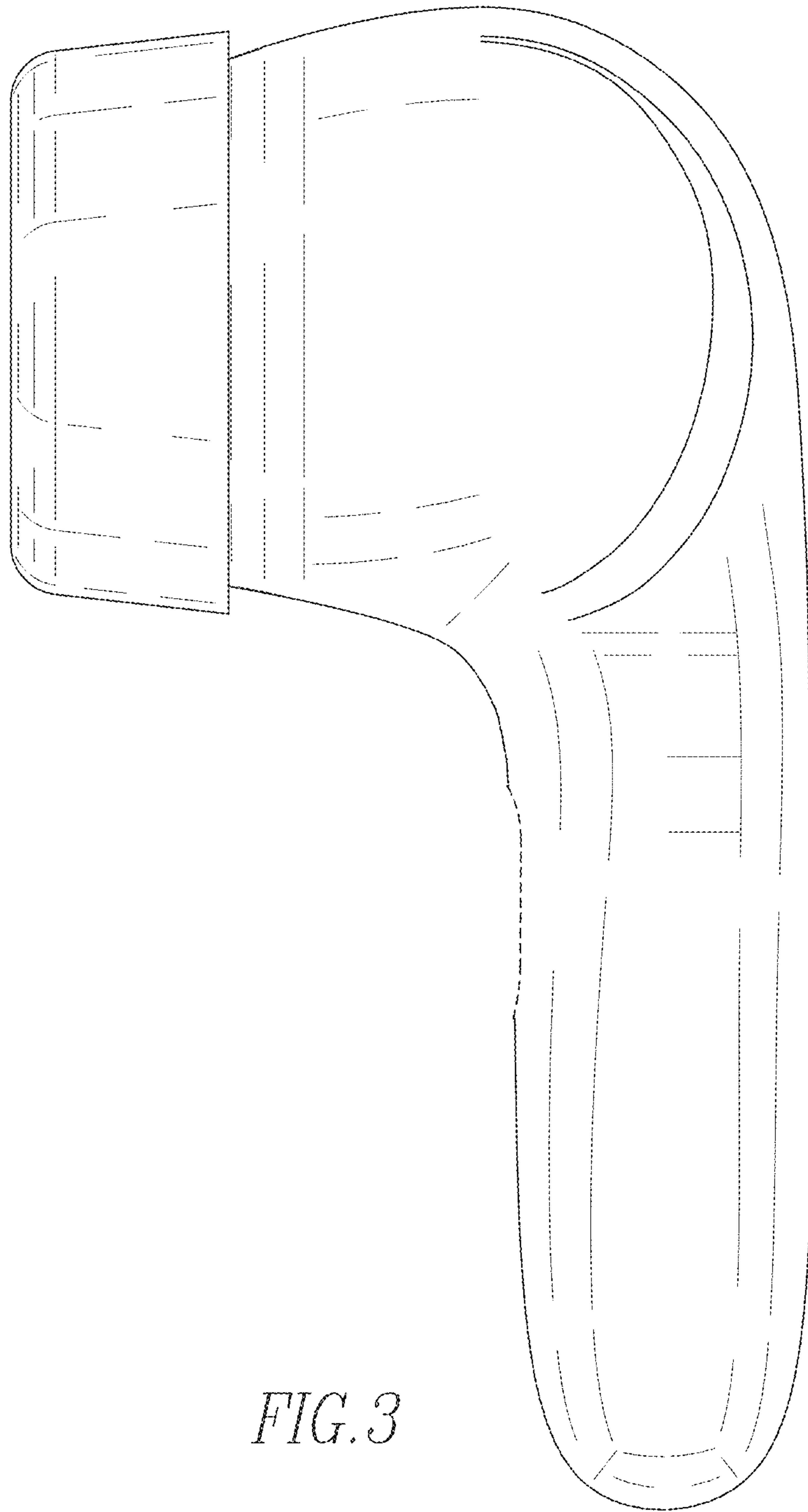
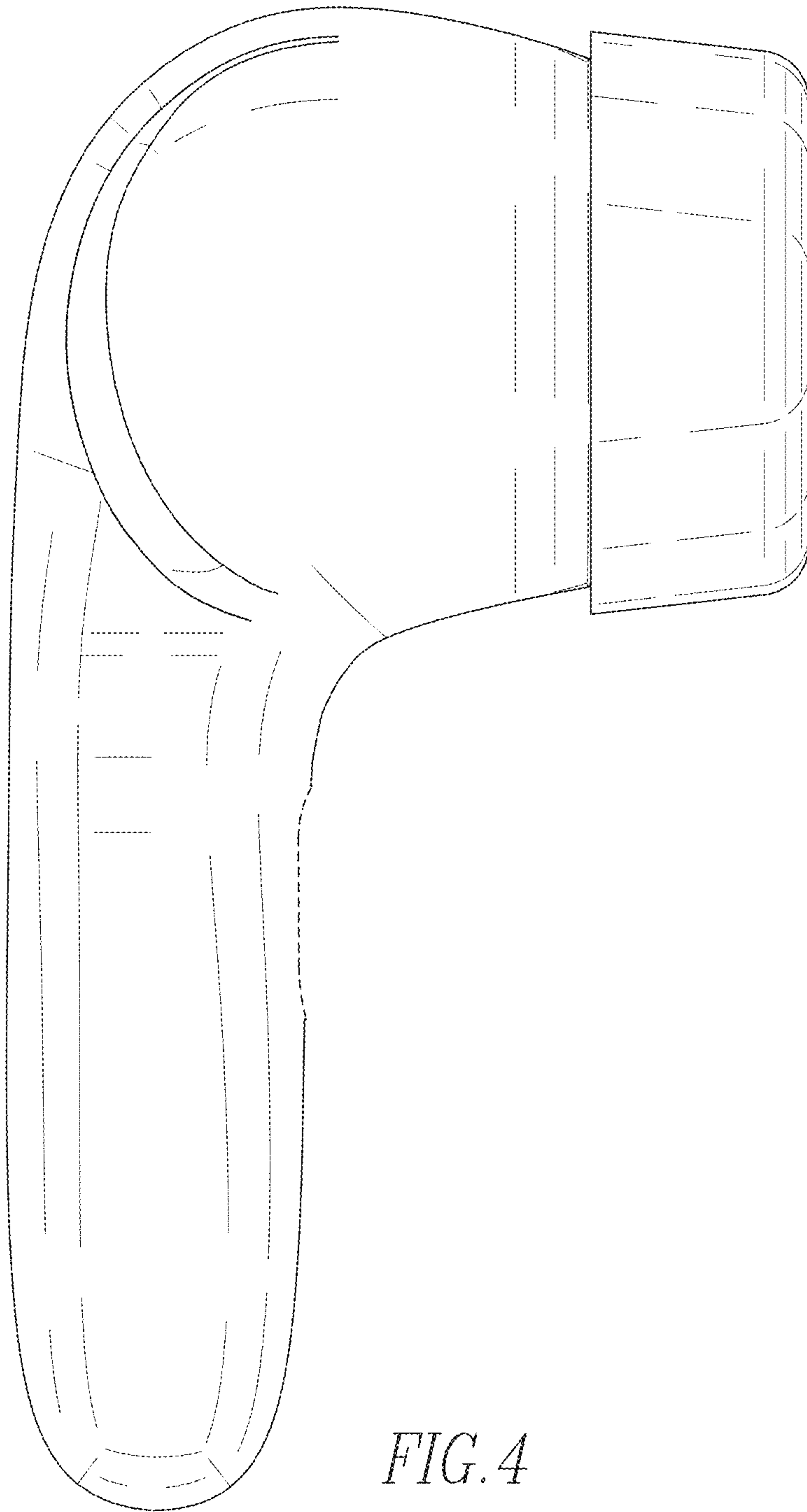


FIG. 2



*FIG. 3*



*FIG. 4*

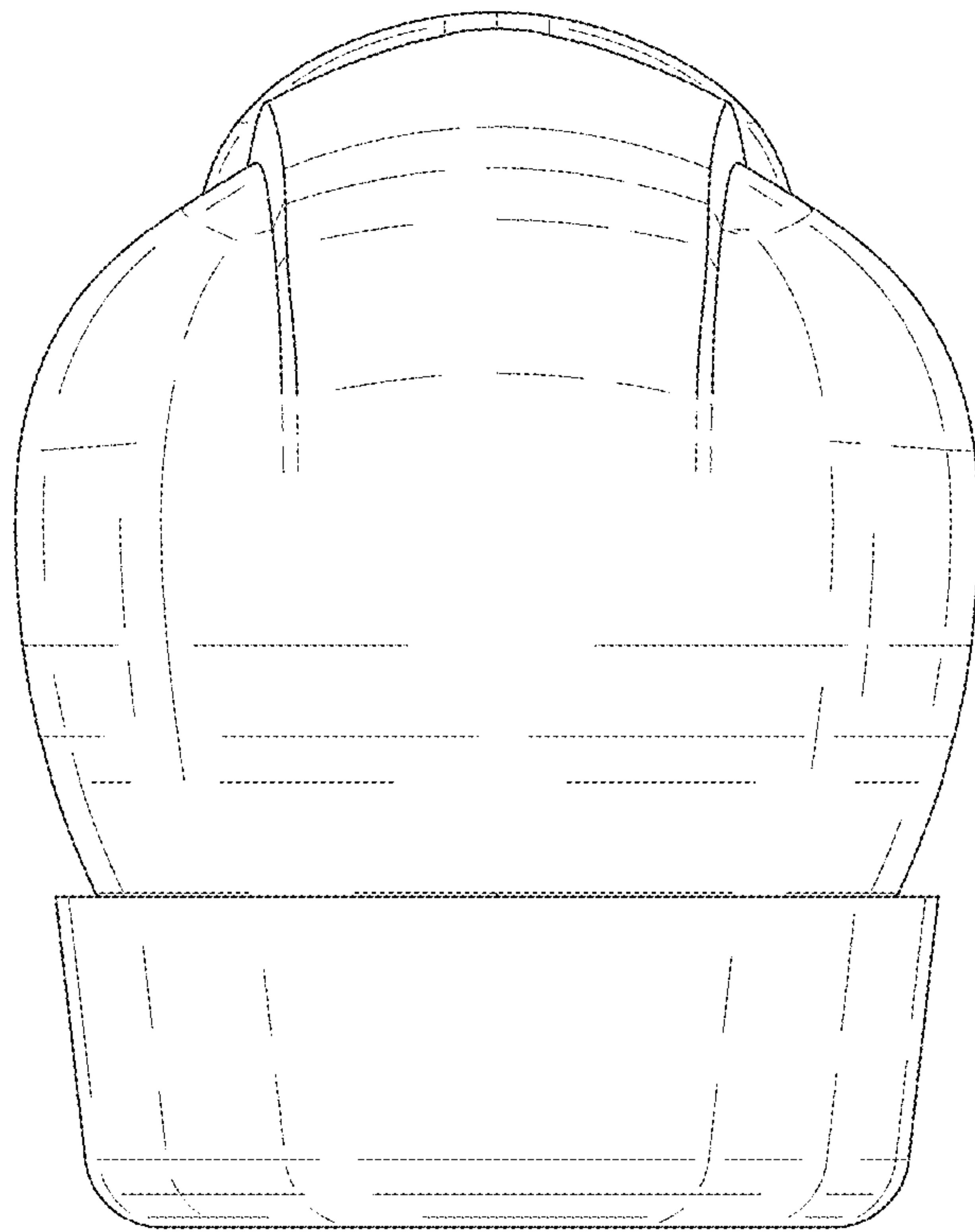


FIG. 5

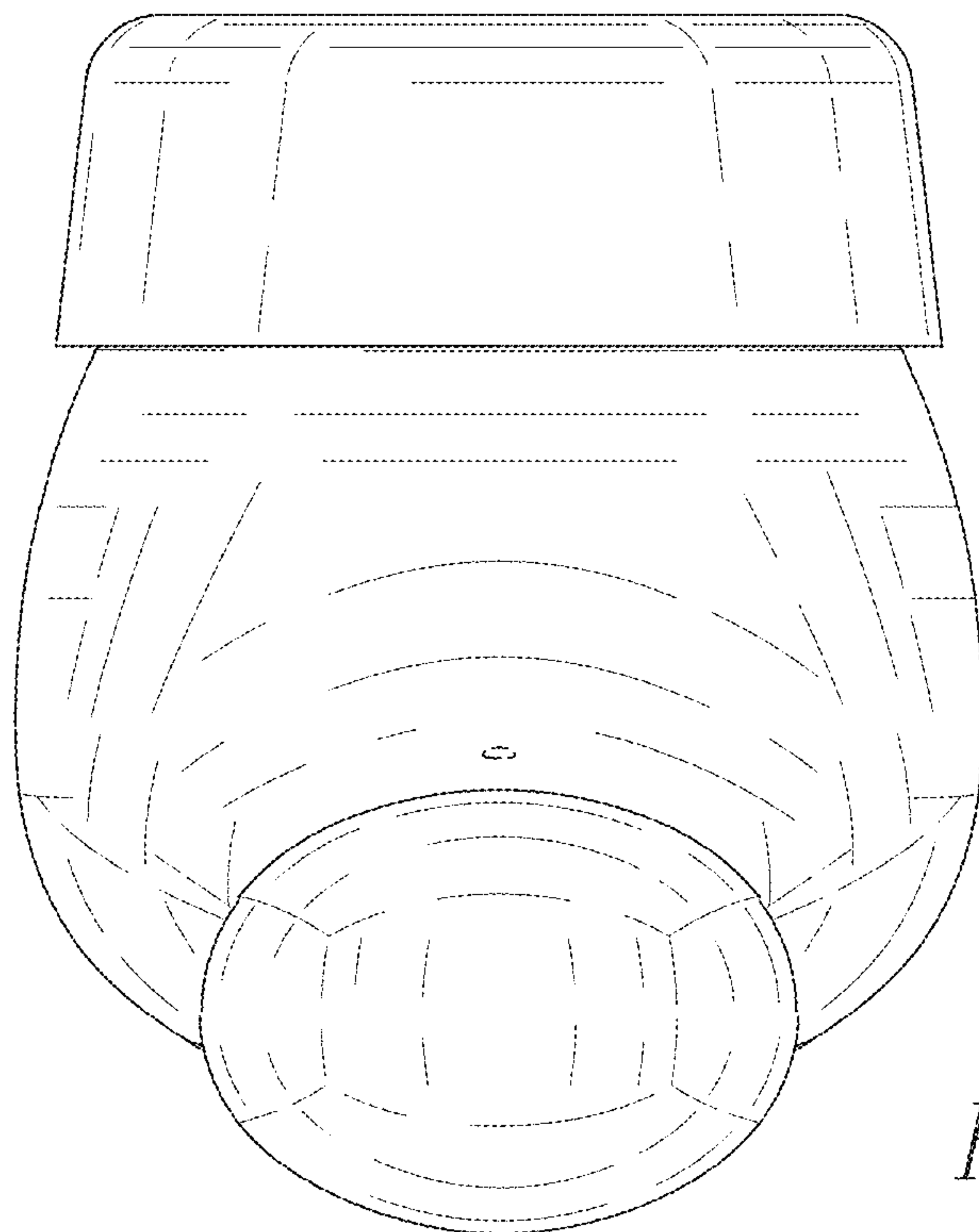


FIG. 6



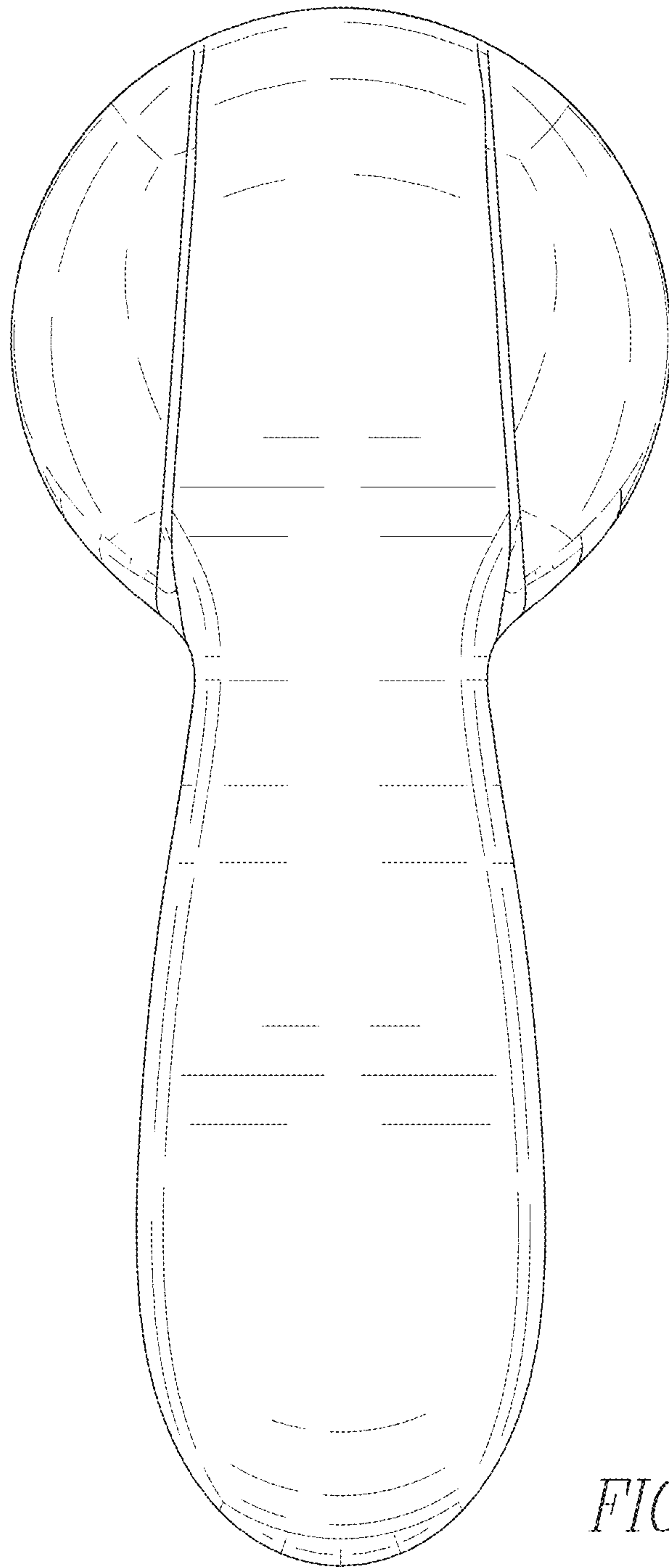


FIG. 7

UNITED STATES PATENT AND TRADEMARK OFFICE  
**CERTIFICATE OF CORRECTION**

PATENT NO. : D805,305 S  
APPLICATION NO. : 29/536434  
DATED : December 19, 2017  
INVENTOR(S) : Lunlun Wang

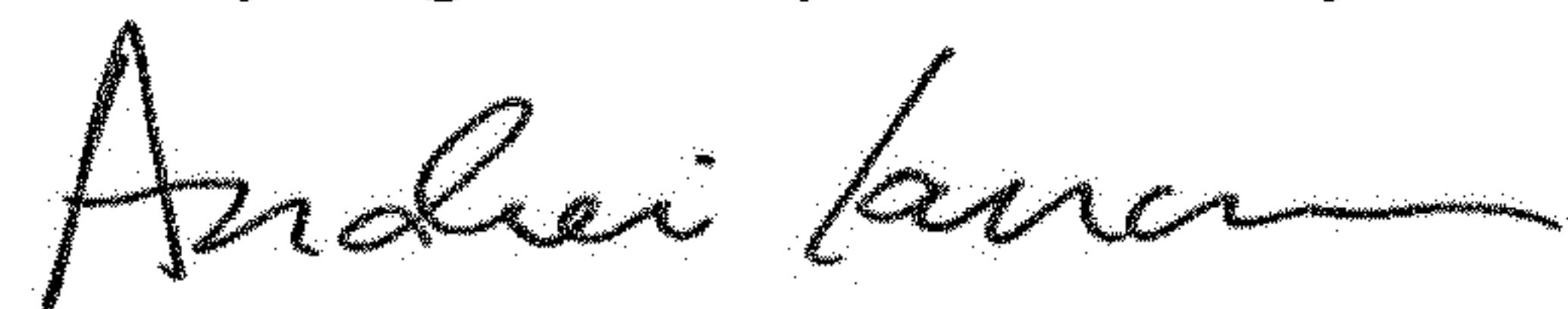
Page 1 of 1

It is certified that error appears in the above-identified patent and that said Letters Patent is hereby corrected as shown below:

On the Title Page

Second column, “(74) Attorney, Agent, or Firm - Eckert Seamans Cherin & Mellott, LLC: Brij J. Agarwal” should read --(74) Attorney, Agent, or Firm - Eckert Seamans Cherin & Mellott, LLC: Brij K. Agarwal--.

Signed and Sealed this  
Twenty-eighth Day of January, 2020



Andrei Iancu  
*Director of the United States Patent and Trademark Office*