

US00D805303S

(12) **United States Design Patent**  
**Jacob et al.**

(10) **Patent No.:** **US D805,303 S**

(45) **Date of Patent:** **\*\* Dec. 19, 2017**

(54) **SUITCASE**

(71) Applicant: **Matte-Veede, FZE**, Fujairah (AE)

(72) Inventors: **Jonathan Jacob**, Dubai (AE); **Arman Emami**, Berlin (DE)

(73) Assignee: **Matte-Veede, FZE**, Fujairah (AE)

(\*\*) Term: **15 Years**

(21) Appl. No.: **29/550,267**

(22) Filed: **Dec. 31, 2015**

(51) **LOC (10) Cl.** ..... **03-01**

(52) **U.S. Cl.**

USPC ..... **D3/321**; D3/323

(58) **Field of Classification Search**

USPC ..... D3/201, 204, 216, 272-275, 279, 280,  
D3/282, 283, 284, 288, 289, 294, 309,  
D3/315, 318, 321, 322, 323, 902;  
D9/430-433; D12/406, 409, 410, 412,  
D12/413; D34/25

CPC ..... A45C 5/00; A45C 5/03; A45C 2005/032;  
A45C 2005/035; A45C 2005/037

See application file for complete search history.

(56) **References Cited**

**U.S. PATENT DOCUMENTS**

D79,531 S \* 10/1929 Schleicher ..... 229/163  
D268,141 S \* 3/1983 Miller ..... D3/279  
D336,875 S \* 6/1993 Cox ..... D12/413  
D342,193 S \* 12/1993 Smith ..... D7/629  
D392,563 S \* 3/1998 Iwanaga ..... D9/422  
D437,110 S \* 2/2001 Ivarson ..... D3/216  
D477,219 S \* 7/2003 Waterhouse ..... D9/430  
D507,176 S \* 7/2005 Abgarian ..... D9/416  
D592,050 S \* 5/2009 Casebasse ..... D9/431  
D630,426 S \* 1/2011 Wilfer ..... D3/204  
D637,138 S \* 5/2011 Ehrat ..... D12/413  
D639,057 S \* 6/2011 Presman ..... D3/279  
D645,341 S \* 9/2011 Bhattacharya ..... D9/430

D660,584 S \* 5/2012 Cross ..... D3/216  
D664,355 S \* 7/2012 Moon ..... D3/279  
D671,745 S \* 12/2012 Wyner ..... D3/301  
D672,955 S \* 12/2012 Benshetrit ..... D3/279  
D705,813 S \* 5/2014 Deguchi ..... D14/498  
D709,695 S \* 7/2014 Yu ..... D3/279  
D710,608 S \* 8/2014 Yoneno ..... D3/279  
D724,323 S \* 3/2015 Wang ..... D3/279  
D726,405 S \* 4/2015 Nassanian ..... D3/216  
D727,030 S \* 4/2015 Tong ..... D3/321  
D743,697 S \* 11/2015 Tooze ..... D3/279  
D751,293 S \* 3/2016 Recchia ..... D3/318  
D751,819 S \* 3/2016 Vecellio ..... D3/318  
D751,820 S \* 3/2016 Recchia ..... D3/318

(Continued)

**OTHER PUBLICATIONS**

Karat hard sided suitcase by Delsey, posted at Peepmystyles.com, posting date Mar. 25, 2012, [online], [site visited Dec. 5, 2016]. Available from Internet, <URL: <http://www.peepmystyles.com/2012/03/packingforhoneymoon.html>>.\*

*Primary Examiner* — Susan E Krakower

*Assistant Examiner* — L. A. Grabenstetter

(74) *Attorney, Agent, or Firm* — Banner & Witcoff, Ltd.

(57) **CLAIM**

The ornamental design for a suitcase, as shown and described.

**DESCRIPTION**

FIG. 1 is a perspective front view of a suitcase showing our new design;

FIG. 2 is a perspective rear view thereof;

FIG. 3 is a rear view thereof;

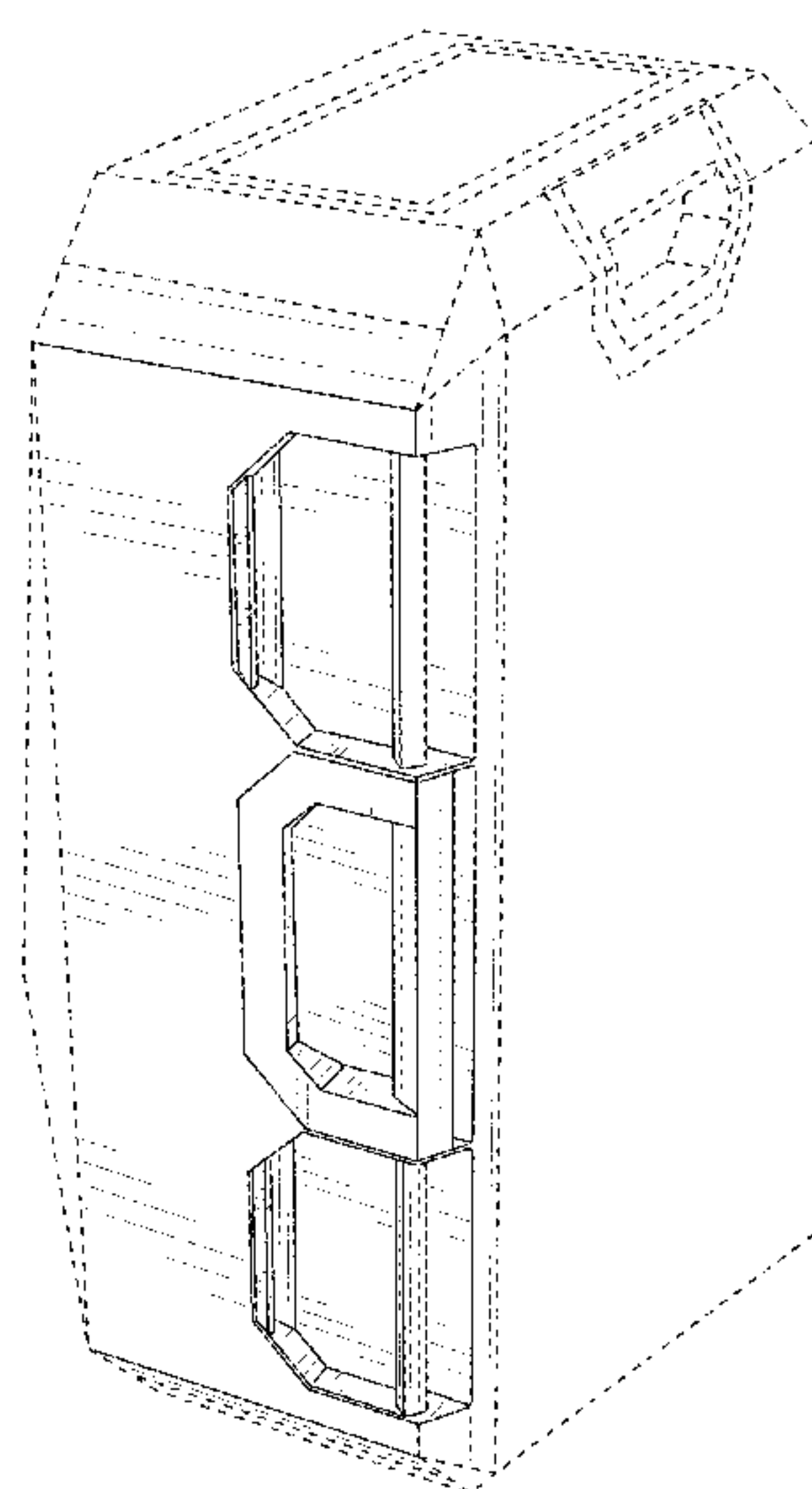
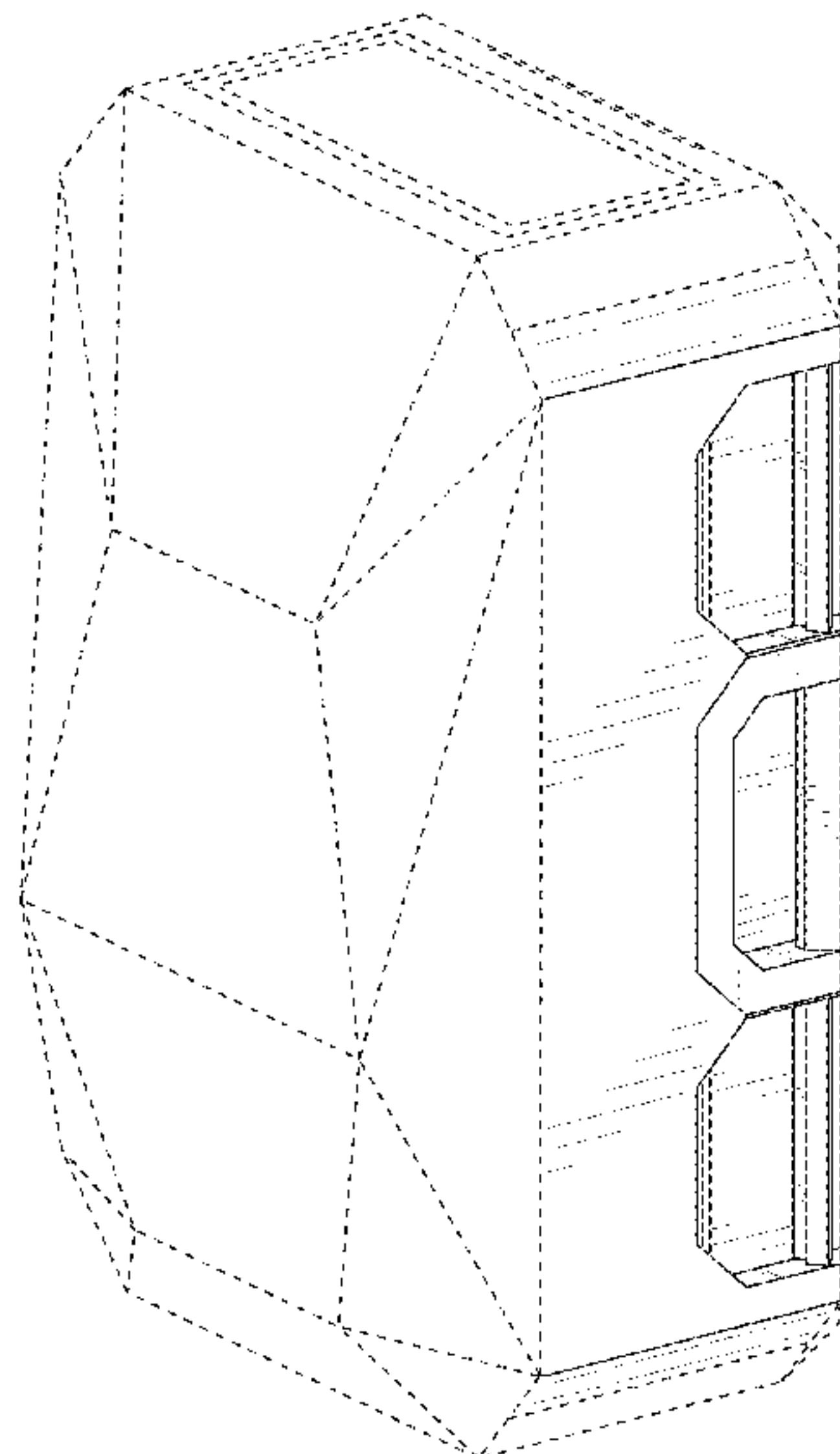
FIG. 4 is a right side view thereof;

FIG. 5 is a top view thereof; and,

FIG. 6 is a bottom view thereof.

The broken lines show a portion of the suitcase which form no part of the claimed design.

**1 Claim, 6 Drawing Sheets**



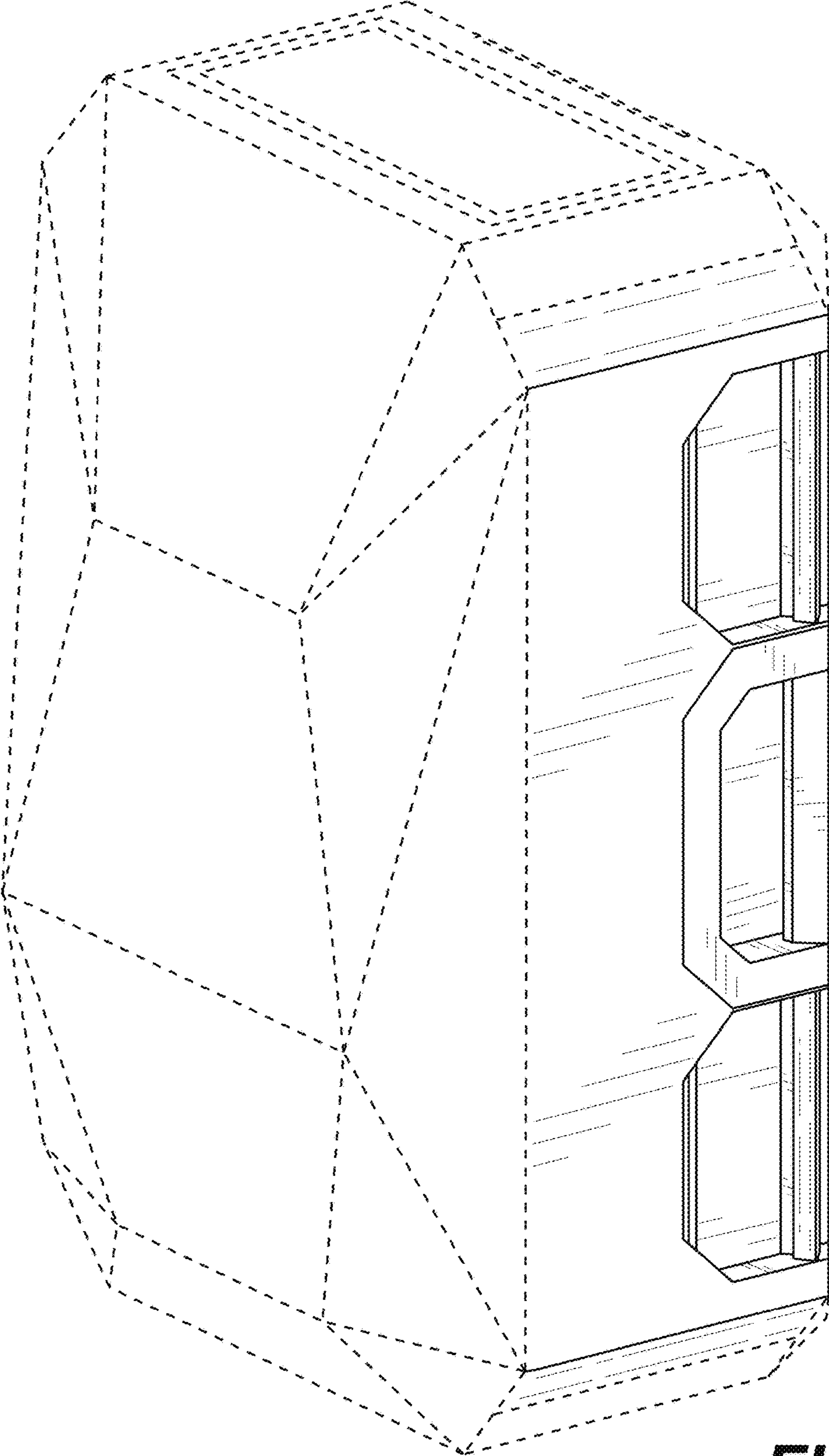
(56)

**References Cited**

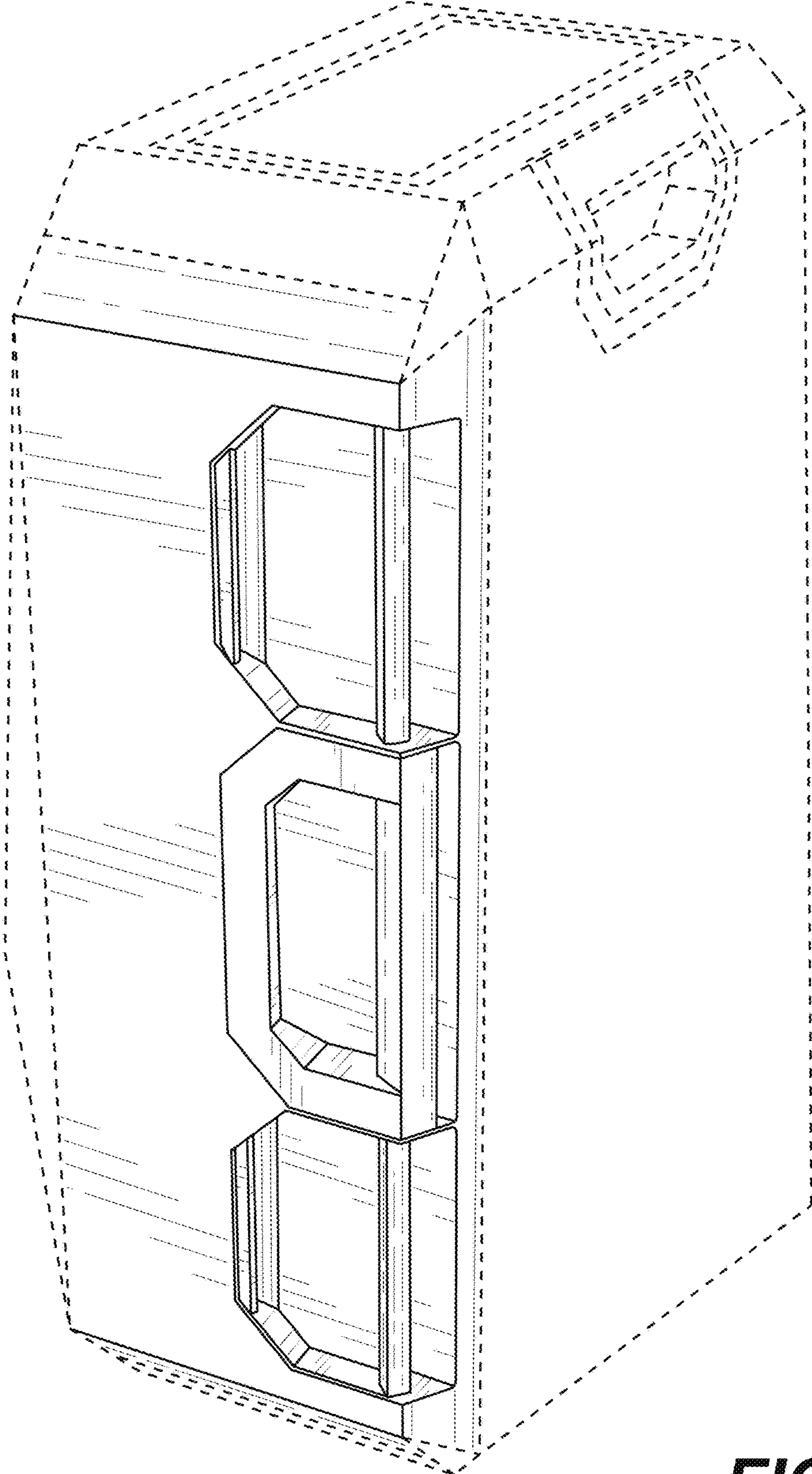
U.S. PATENT DOCUMENTS

D755,523 S *	5/2016	Szyf .....	D3/318
2012/0210596 A1 *	8/2012	Lebel .....	A45C 5/00
			34/524
2013/0279090 A1 *	10/2013	Brandt .....	H05K 7/00
			361/679.01

\* cited by examiner

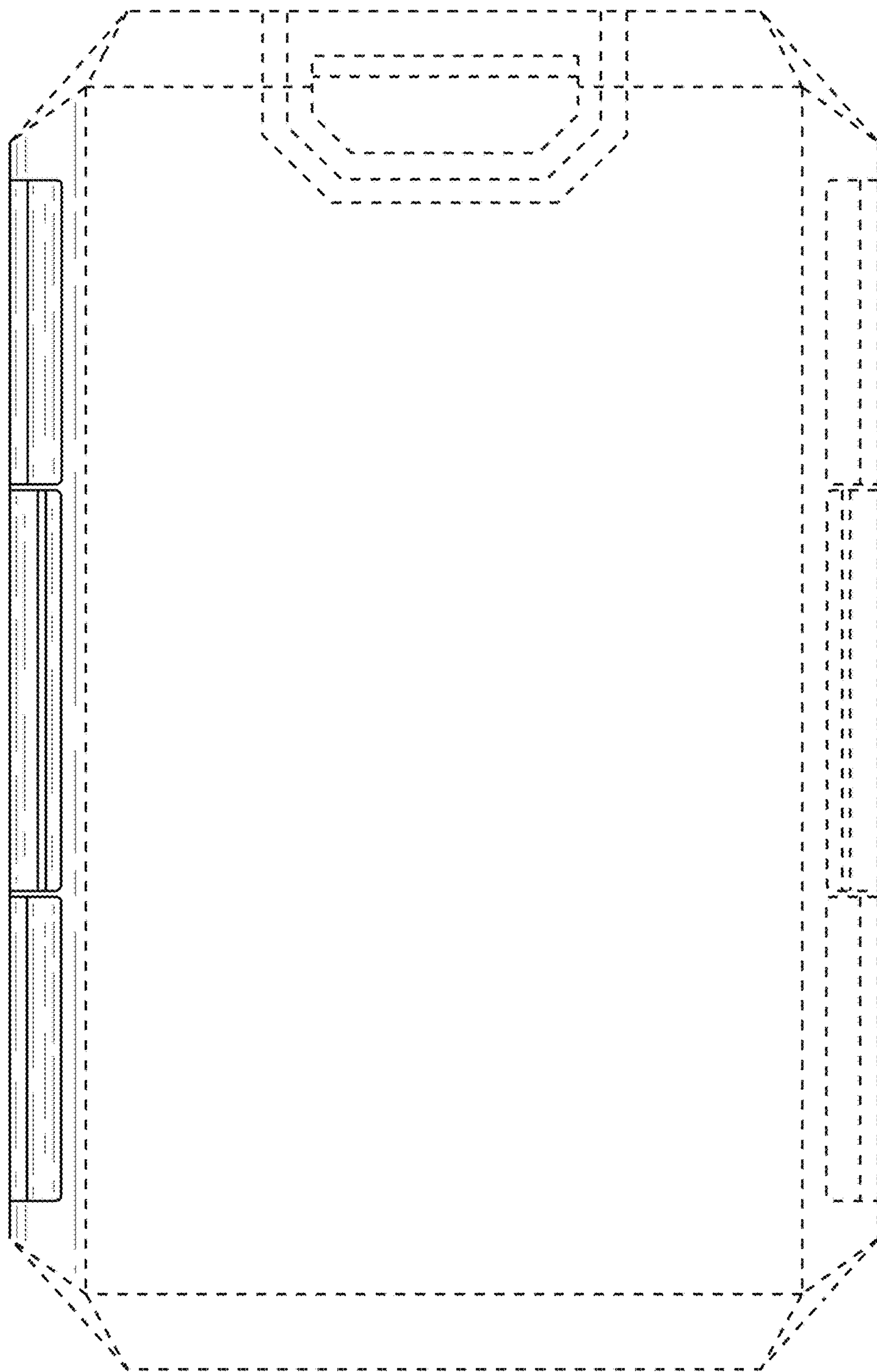


**FIG. 1**

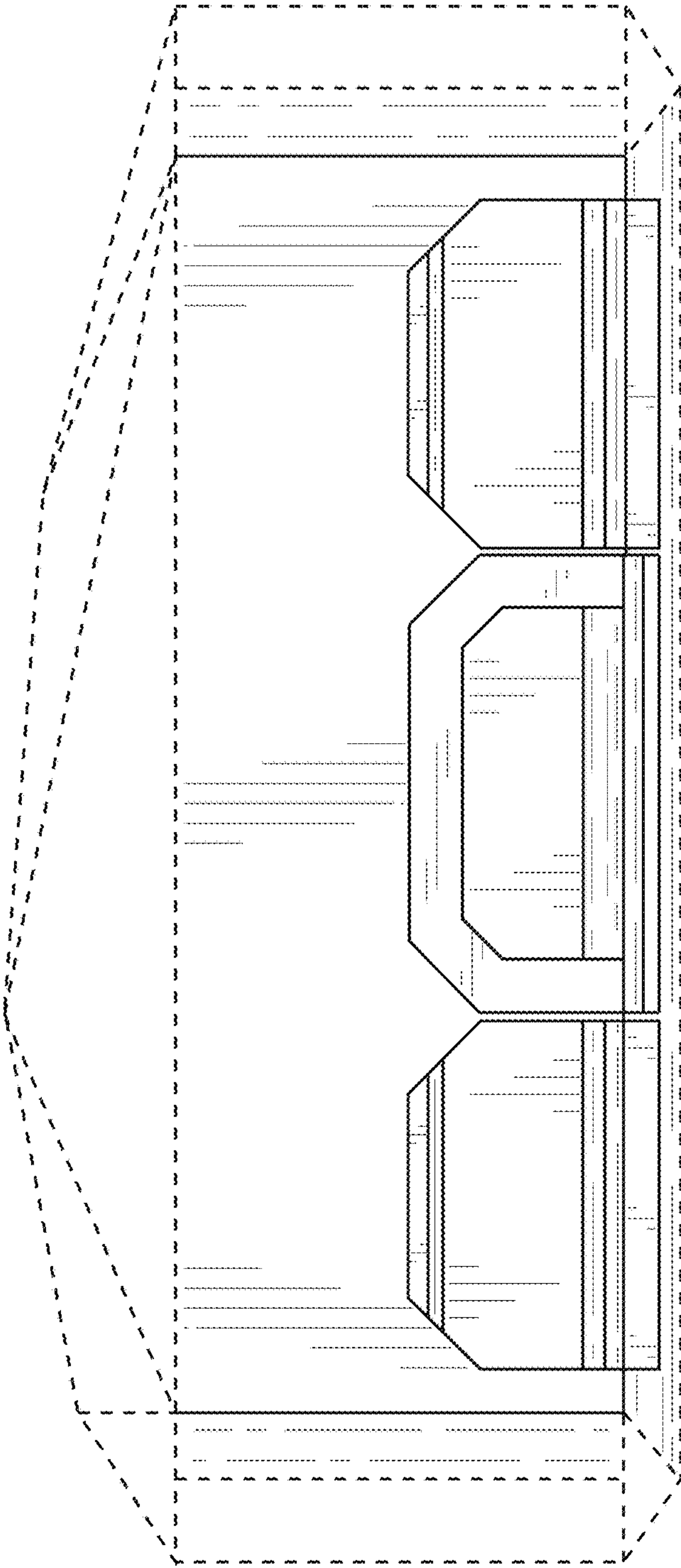


**FIG. 2**

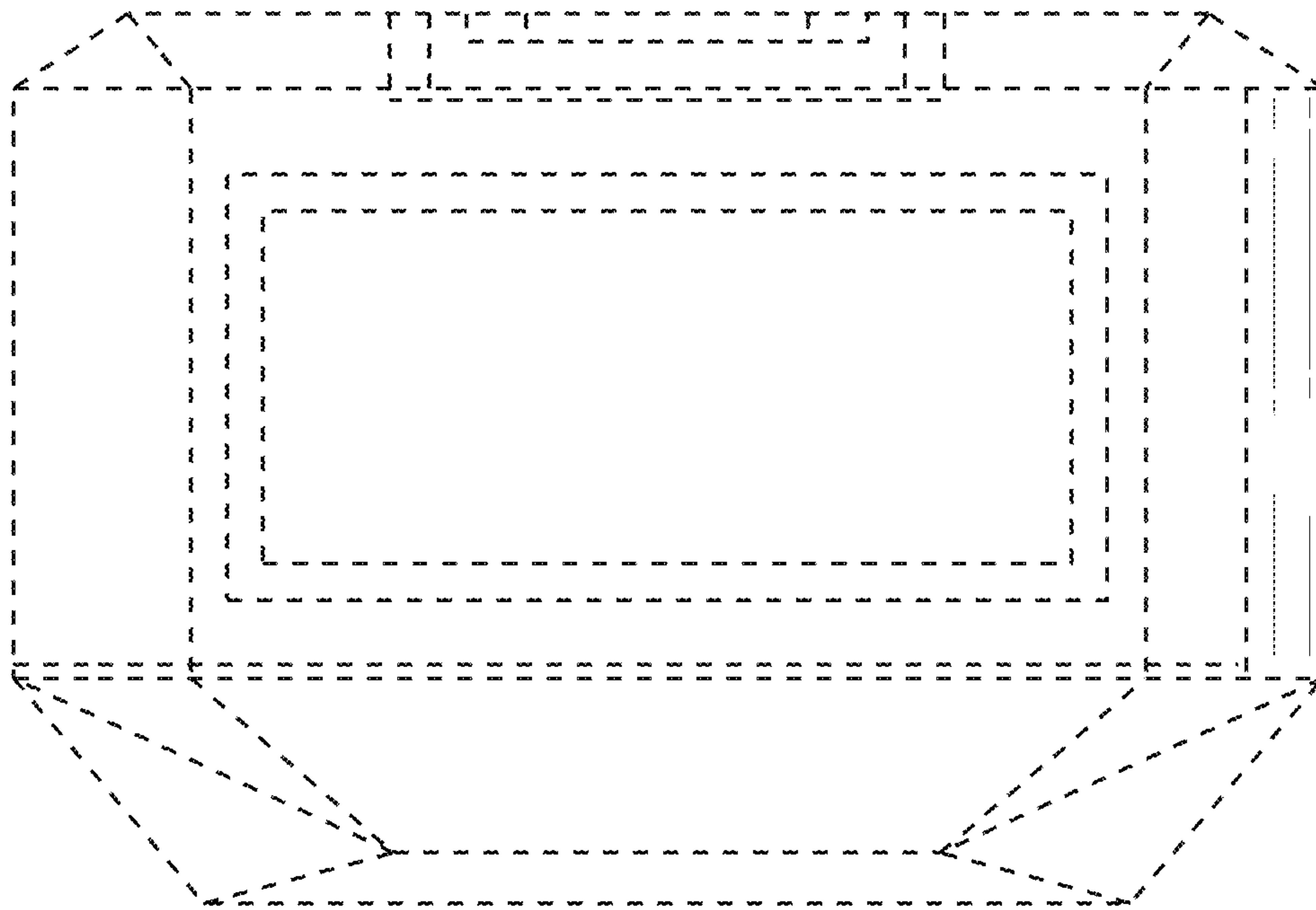




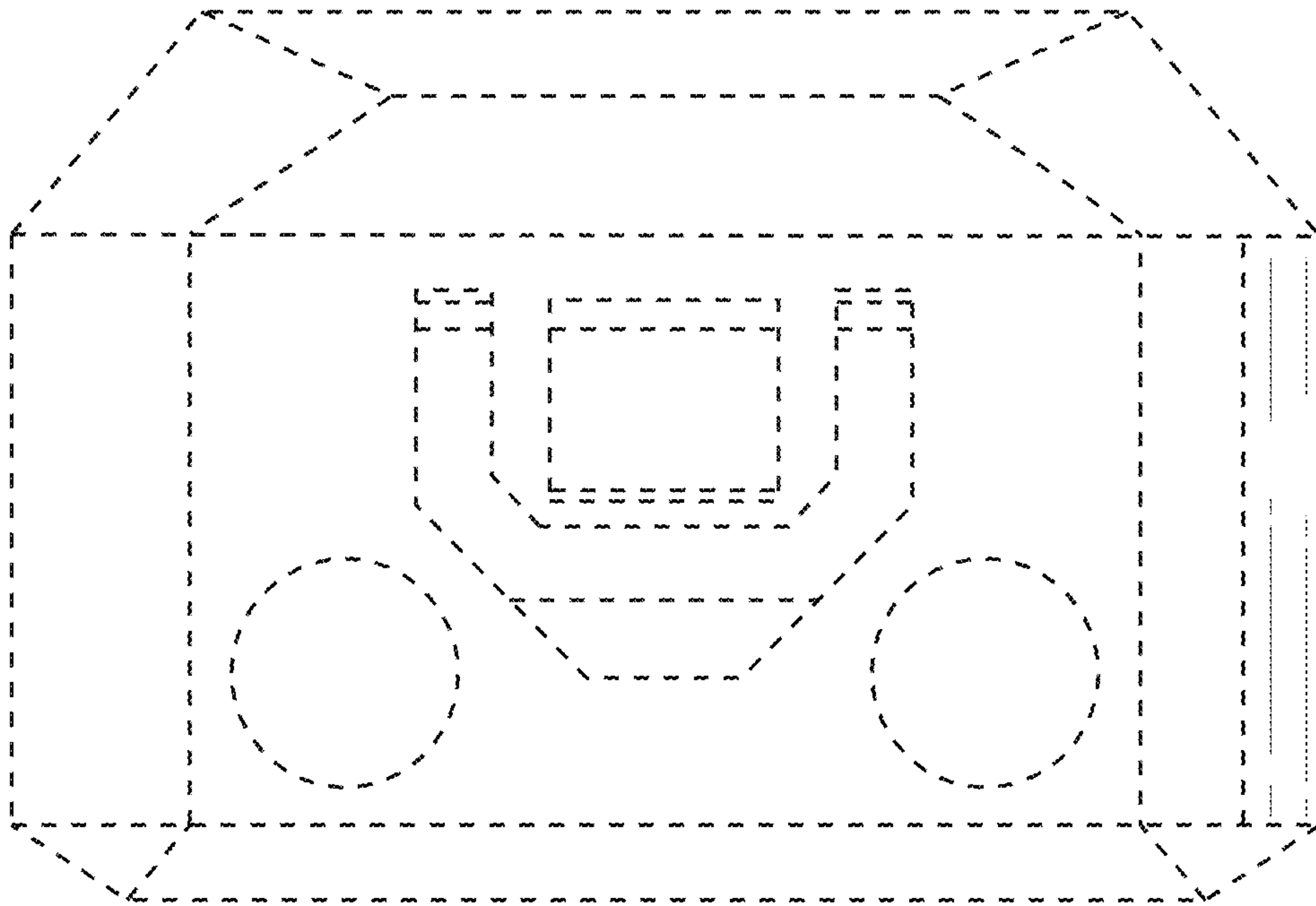
**FIG. 3**



**FIG. 4**



**FIG. 5**



**FIG. 6**