



US00D805302S

(12) **United States Design Patent** (10) **Patent No.:** **US D805,302 S**
Stanley (45) **Date of Patent:** **** Dec. 19, 2017**

(54) **HOOK ASSEMBLY FOR A TACKLE BOX INSERT**

D266,115 S * 9/1982 Glenn, Sr. D3/295
D412,063 S * 7/1999 Thompson D3/319
8,468,740 B1 * 6/2013 Ryckman A01K 97/06
206/315.11

(71) Applicant: **PLAN D FISHING SOLUTIONS, LLC**, Gig Harbor, WA (US)

* cited by examiner

(72) Inventor: **Dylan T. Stanley**, Gig Harbor, WA (US)

Primary Examiner — Holly H Baynham

(74) *Attorney, Agent, or Firm* — Lane Powell, PC

(73) Assignee: **Plan D Fishing Solutions, LLC**, Gig Harbor, WA (US)

(**) Term: **15 Years**

(57) **CLAIM**

(21) Appl. No.: **29/563,912**

The ornamental design for a hook assembly for a tackle box insert, as shown.

(22) Filed: **May 9, 2016**

(51) **LOC (10) Cl.** **03-01**

(52) **U.S. Cl.**

USPC **D3/318**

(58) **Field of Classification Search**

USPC D3/260, 318; D8/372

CPC A01K 97/06

See application file for complete search history.

DESCRIPTION

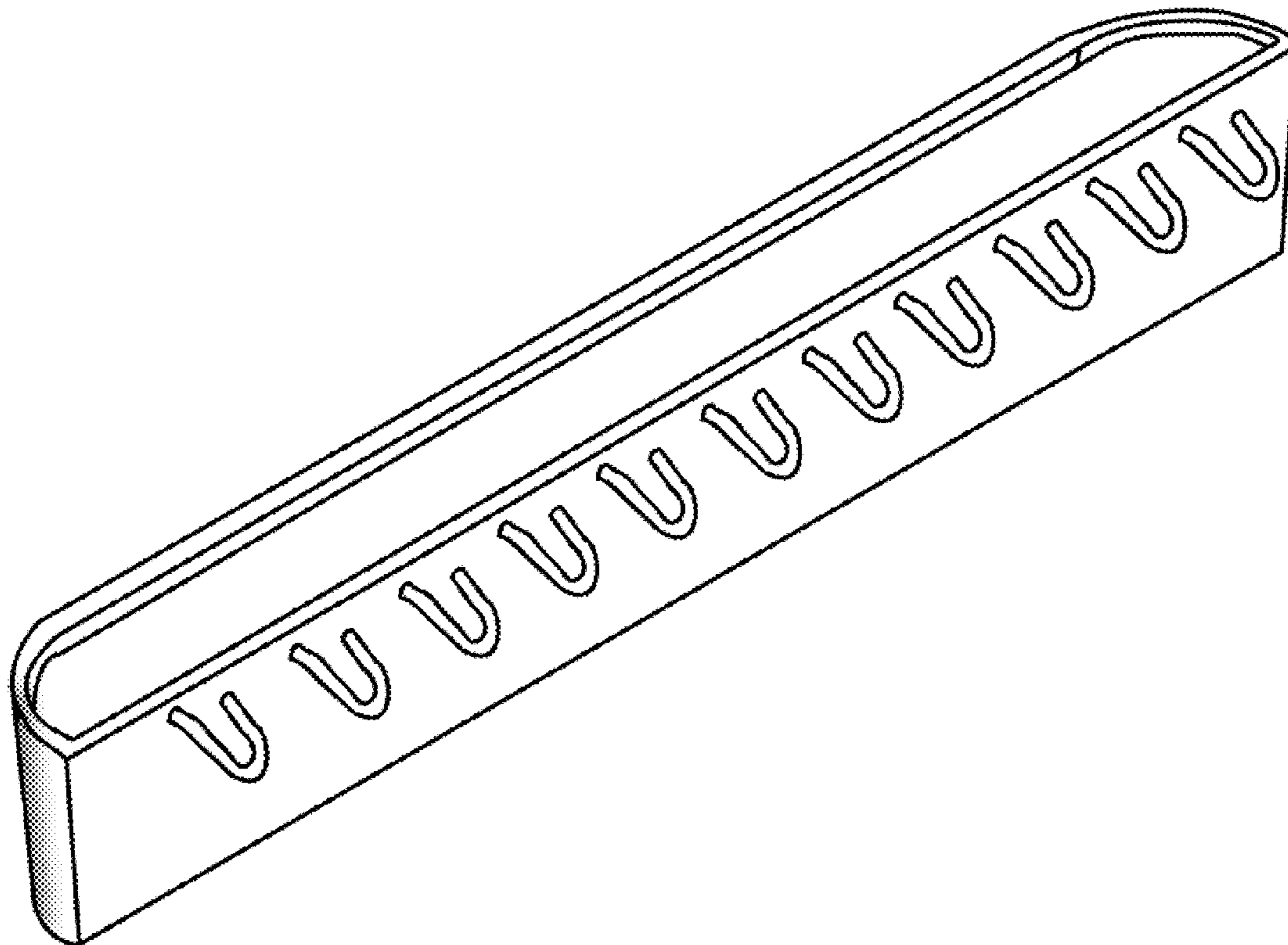
FIG. 1 is an isometric view of a hook assembly for a tackle box insert showing my new design;
FIG. 2 is an enlarged side elevational view thereof;
FIG. 3 is a right side view thereof;
FIG. 4 is a back view thereof;
FIG. 5 is a front view thereof;
FIG. 6 is a top view thereof; and,
FIG. 7 is a bottom view thereof.

(56) **References Cited**

U.S. PATENT DOCUMENTS

D158,958 S * 6/1950 Hamel D3/319
D254,122 S * 2/1980 Wintz D3/224

1 Claim, 2 Drawing Sheets



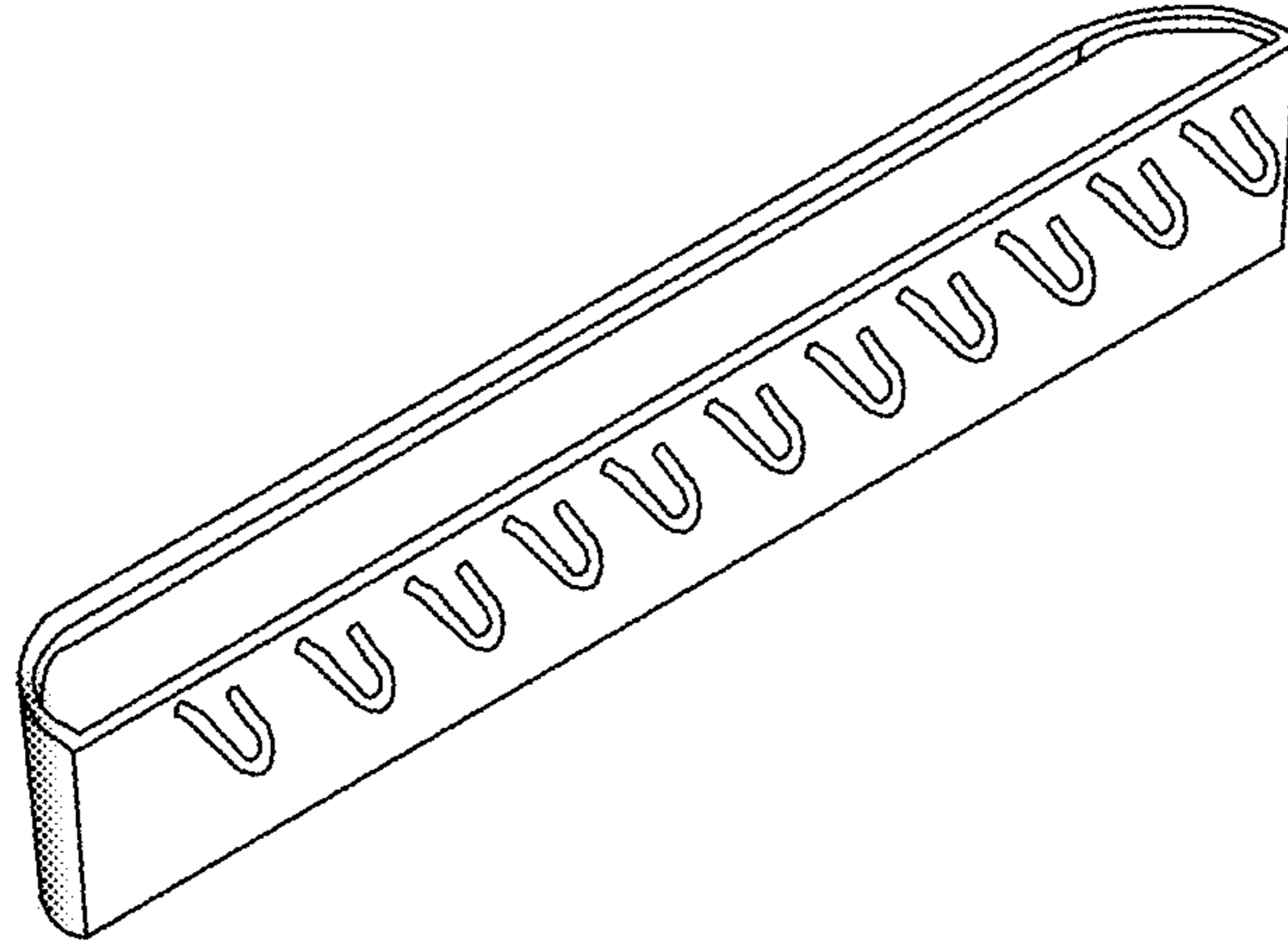


FIG. 1

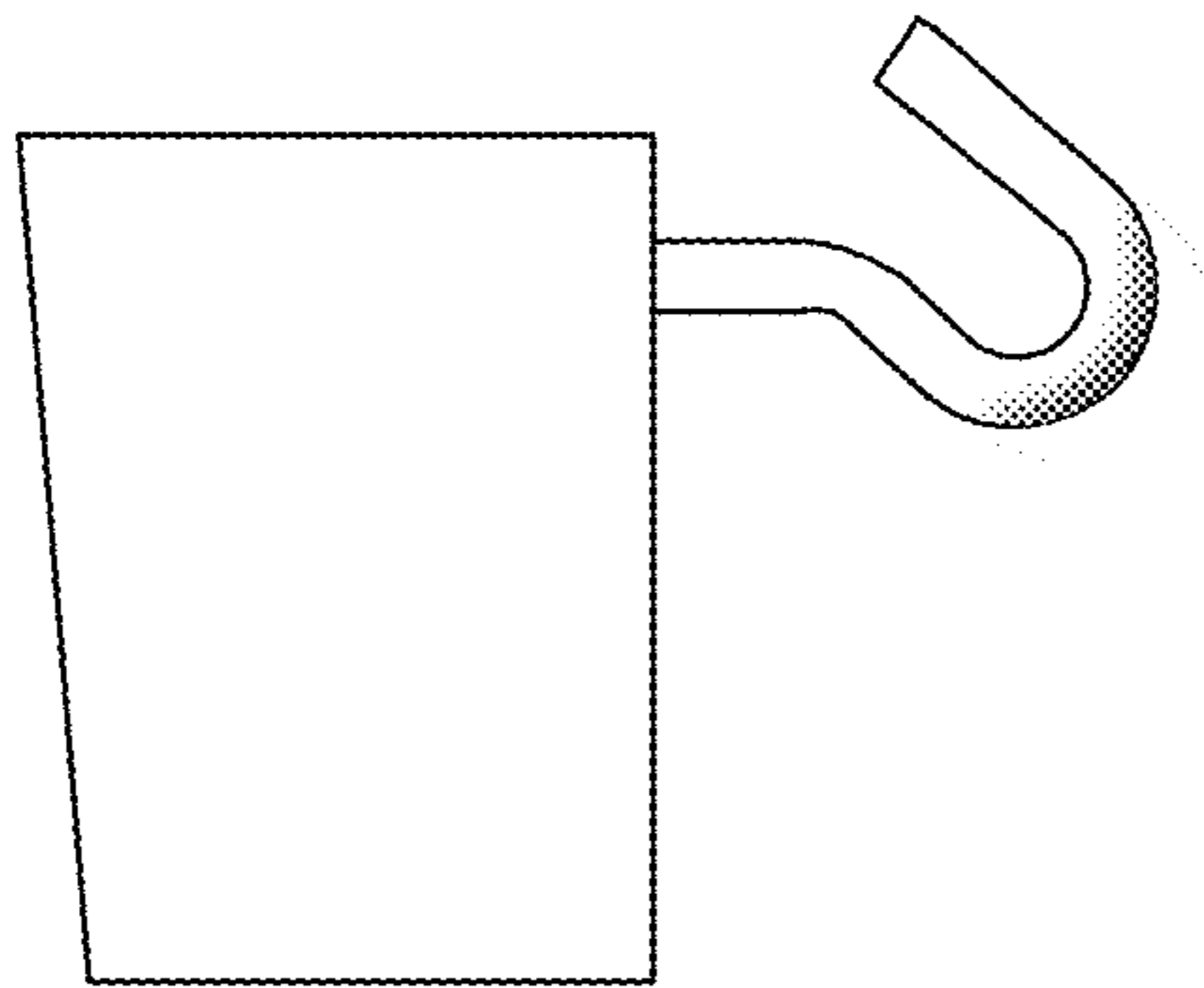


FIG. 2

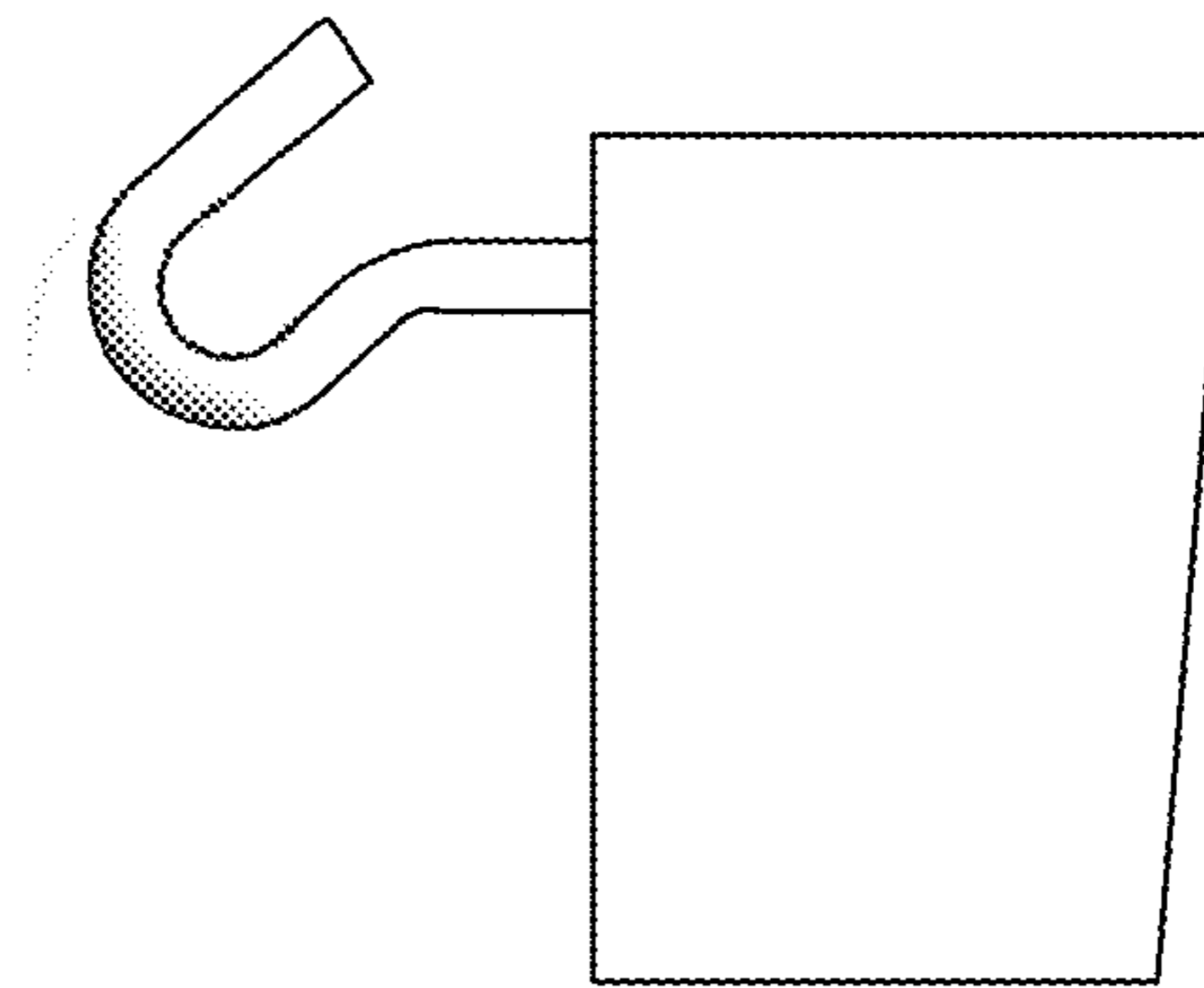


FIG. 3

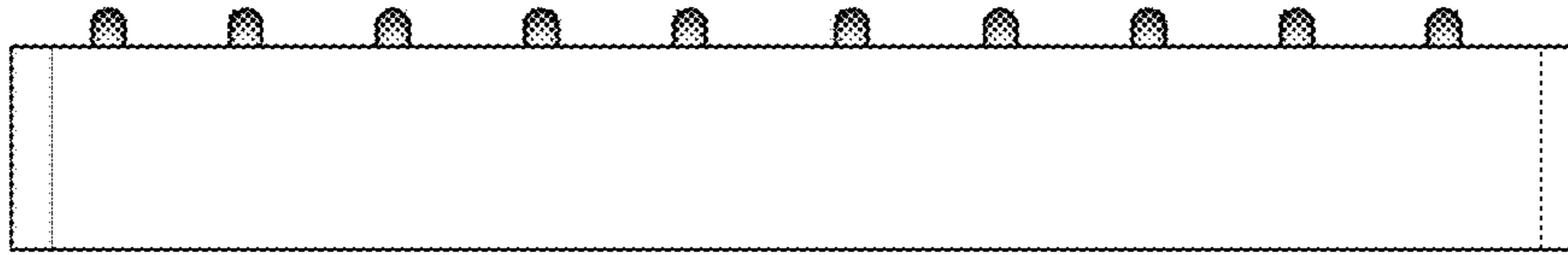


FIG. 4

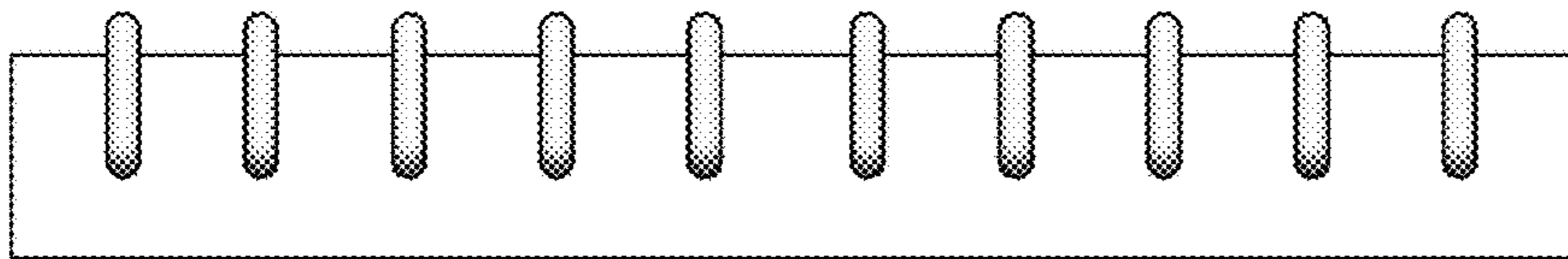


FIG. 5

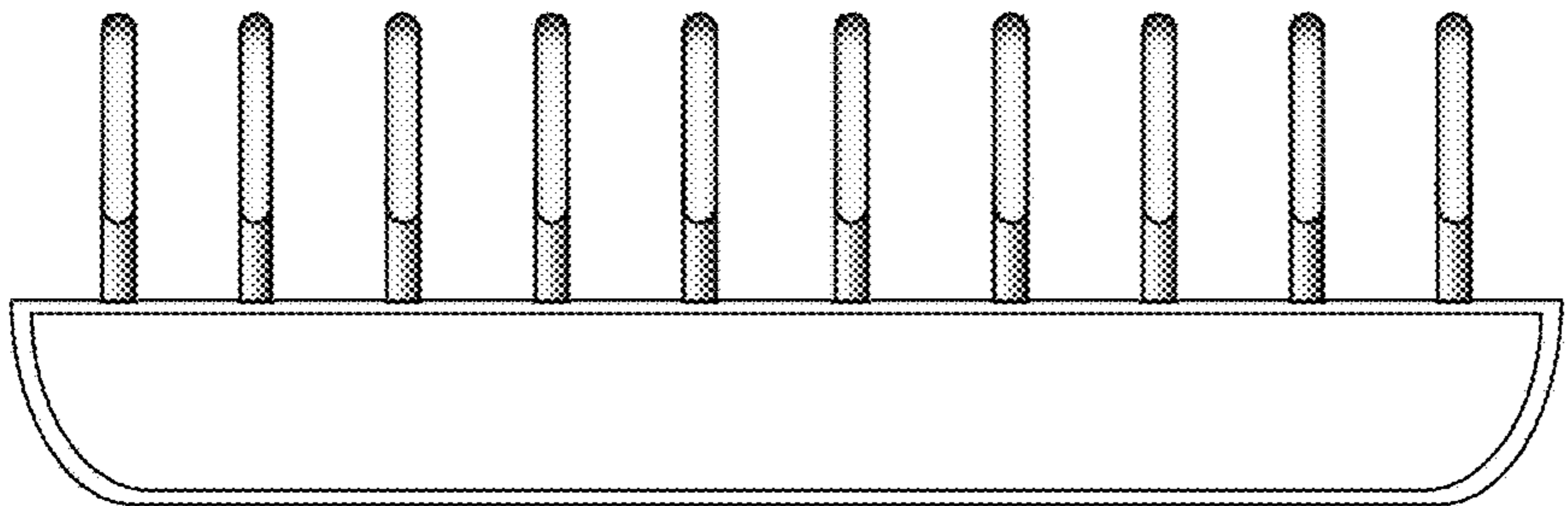


FIG. 6

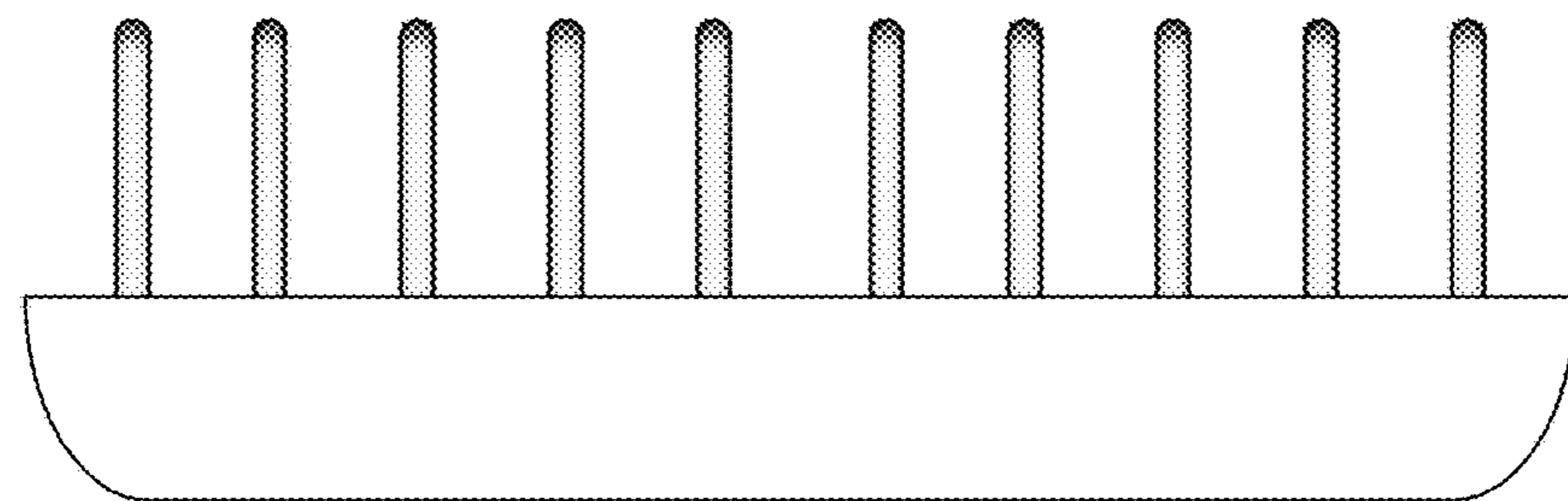


FIG. 7