



US00D805301S

(12) **United States Design Patent**
Colburn

(10) **Patent No.:** **US D805,301 S**

(45) **Date of Patent:** **** Dec. 19, 2017**

(54) **SHIPPING CONTAINER**

D539,998 S * 4/2007 Andrade D34/1
D540,541 S * 4/2007 Liukko D3/309
D556,971 S * 12/2007 Hatamian D34/7

(Continued)

(71) Applicant: **Greenbox International, LLC**,
Midlothian, VA (US)

FOREIGN PATENT DOCUMENTS

(72) Inventor: **Eric Richard Colburn**, Wexford, PA
(US)

DE 921794 12/1954

(73) Assignee: **Greenbox International, LLC**,
Midlothian, VA (US)

OTHER PUBLICATIONS

(**) Term: **15 Years**

Office Action in U.S. Appl. No. 14/178,462; dated Aug. 26, 2015;13 pages.

(Continued)

(21) Appl. No.: **29/550,431**

Primary Examiner — Kelley Donnelly

(22) Filed: **Jan. 4, 2016**

(74) Attorney, Agent, or Firm — John H. Thomas, P.C.

(51) **LOC (10) Cl.** **03-01**

(57) **CLAIM**

(52) **U.S. Cl.**
USPC **D3/314**

The ornamental design for a shipping container, as shown and described.

(58) **Field of Classification Search**
USPC D3/272, 304–305, 307–309, 311–312,
D3/314–315; D6/672, 675, 682, 683
CPC B65D 1/00; B65D 1/22; B65D 2285/00;
B65D 2588/00
See application file for complete search history.

DESCRIPTION

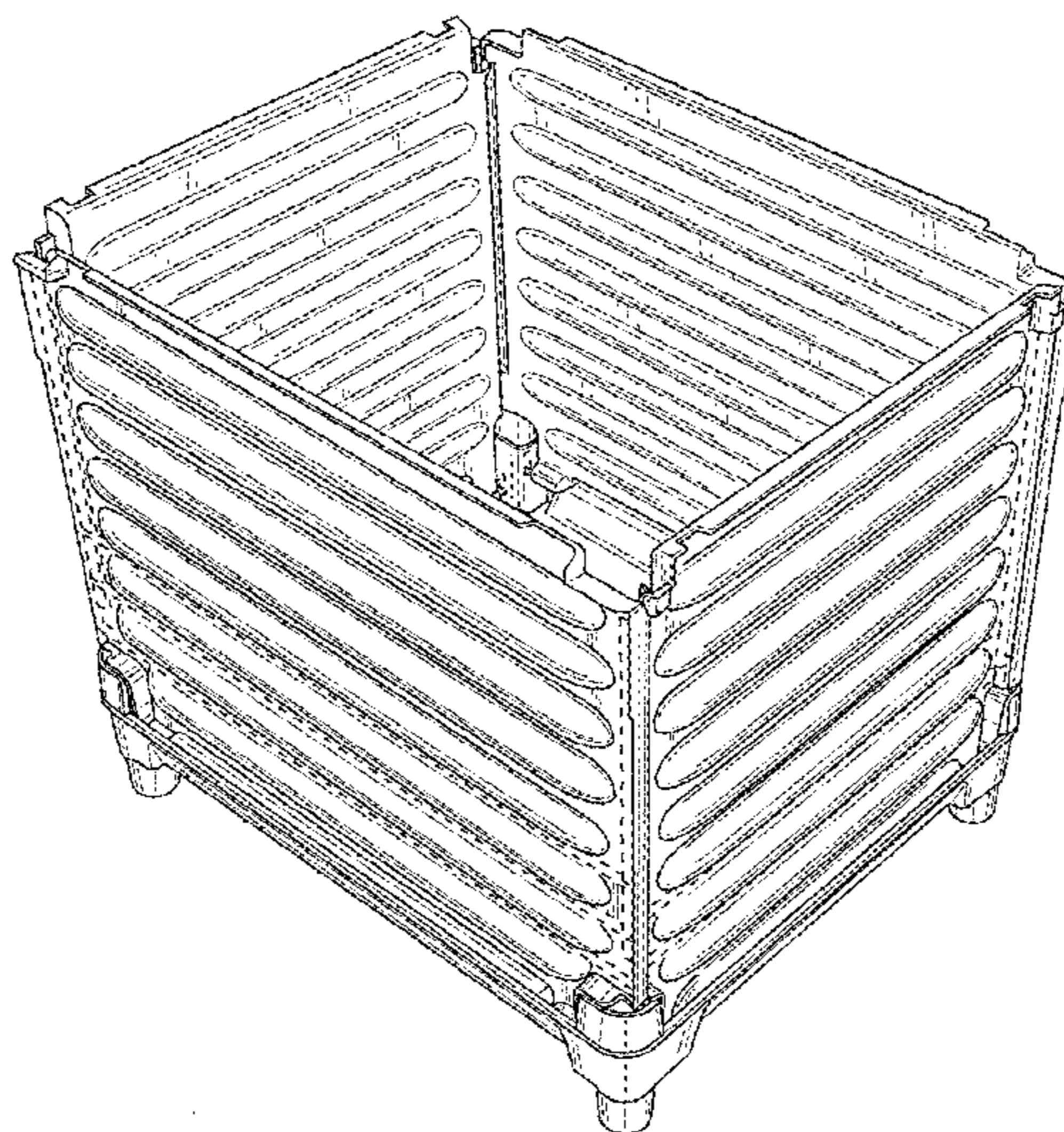
(56) **References Cited**

U.S. PATENT DOCUMENTS

2,660,271	A	11/1953	Hupp	
D260,568	S *	9/1981	Cherry	D3/314
4,591,065	A	5/1986	Foy	
4,674,647	A	6/1987	Gyenge et al.	
D309,971	S *	8/1990	Quong	D3/311
5,632,392	A	5/1997	Oh	
5,868,269	A	2/1999	Juarez	
D446,939	S *	8/2001	Koefeldt	D3/304
6,415,938	B1	7/2002	Karpisek	
D475,854	S *	6/2003	Caponey	D3/314
D483,946	S *	12/2003	Koefeldt	D3/304
6,726,046	B2	4/2004	Orset	
7,093,731	B2	8/2006	Karpisek	

FIG. 1 is a perspective view of a shipping container.
FIG. 2 is a top view of a shipping container as shown in FIG. 1.
FIG. 3 is a bottom view of a shipping container as shown in FIG. 1.
FIG. 4 is a side view of a shipping container as shown in FIG. 1.
FIG. 5 is an opposite side view of a shipping container as shown in FIG. 1.
FIG. 6 is a front view of a shipping container as shown in FIG. 1.
FIG. 7 is a back view of a shipping container as shown in FIG. 1; and,
FIG. 8 is a front cross-sectional view of a shipping container as shown in FIG. 1-taken along lines 8-8 of FIG. 4.
Throughout FIGS. 1-8, the broken lines denote environment and aspects of the container and formative components that form no part of the claimed design.

1 Claim, 8 Drawing Sheets



(56)

References Cited

U.S. PATENT DOCUMENTS

D600,917 S * 9/2009 Meter D3/313
D728,887 S * 5/2015 Kernen B65D 19/04
D34/1
D729,403 S * 5/2015 Hage D24/227
2003/0075541 A1 4/2003 Bartasevich, Jr. et al.
2004/0089657 A1 5/2004 Waszak
2004/0222222 A1 11/2004 Parnall et al.
2006/0113302 A1 6/2006 Mandava et al.
2008/0169285 A1 7/2008 Marazita et al.
2010/0147727 A1 6/2010 Valdimarsson et al.
2012/0061386 A1 3/2012 Parsons

OTHER PUBLICATIONS

Office Action in U.S. Appl. No. 14/178,462; dated Mar. 4, 2015;13
pages.
English Translation for DE 921794; 5 pages.

* cited by examiner

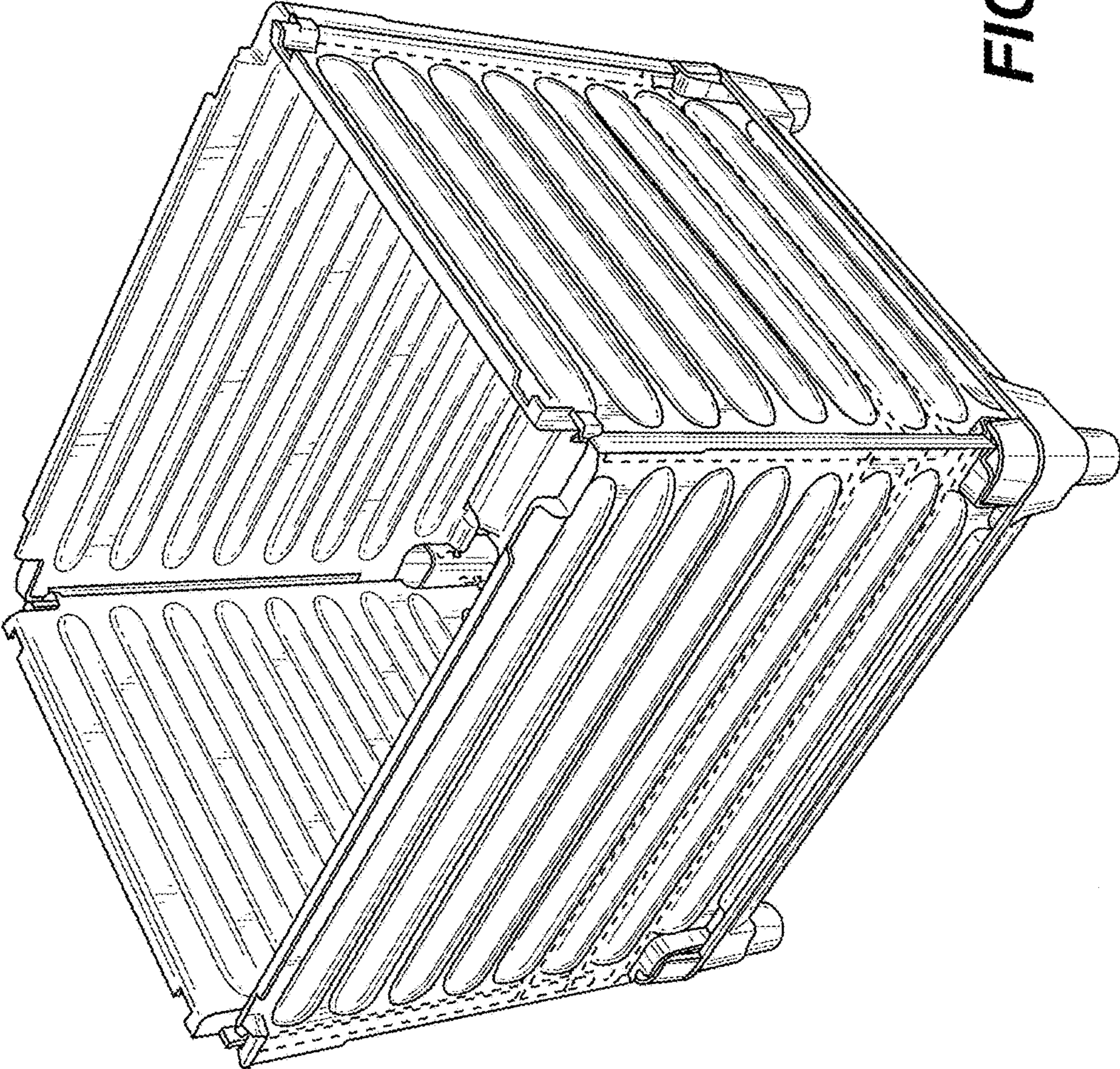


FIG. 1

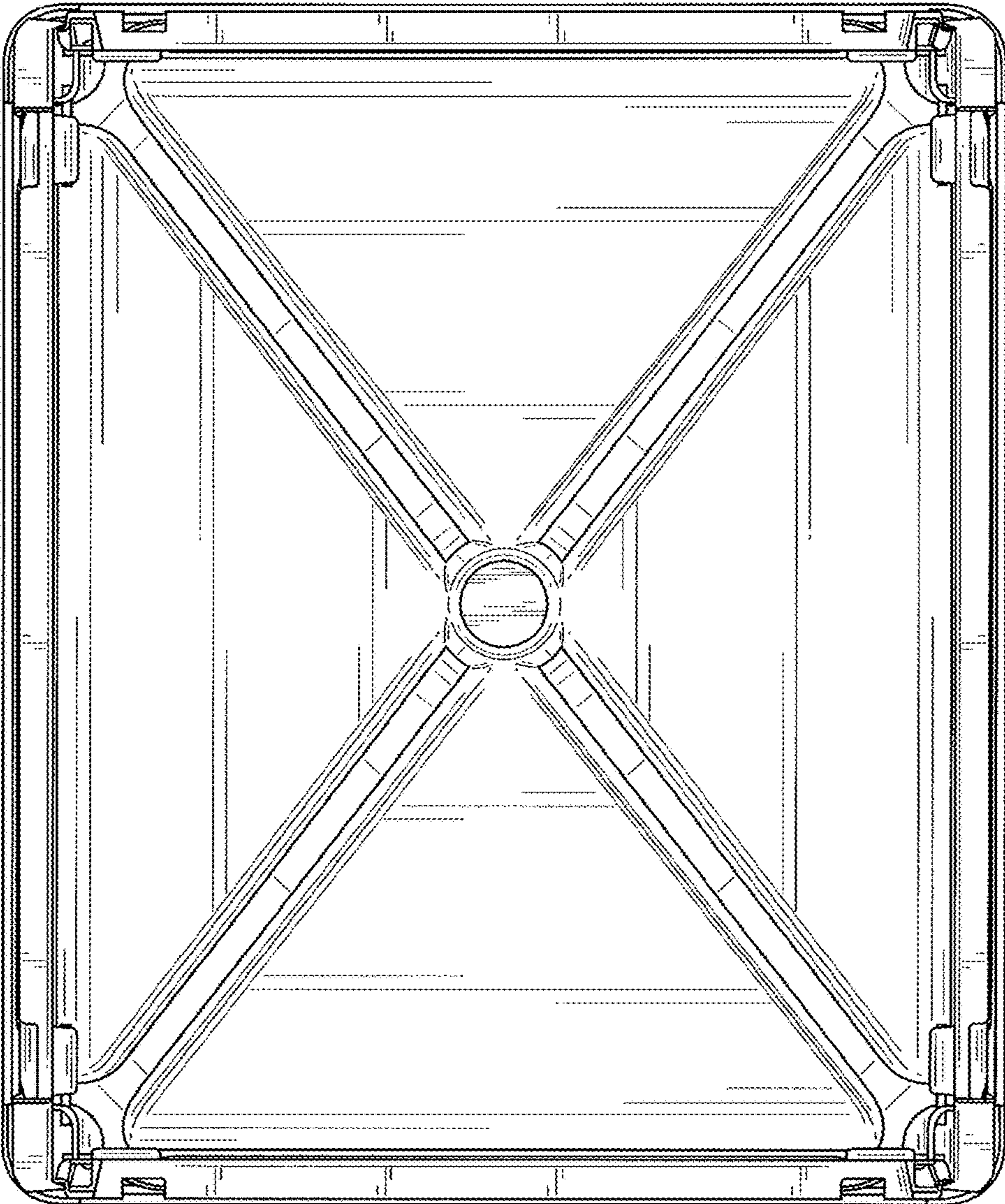


FIG. 2

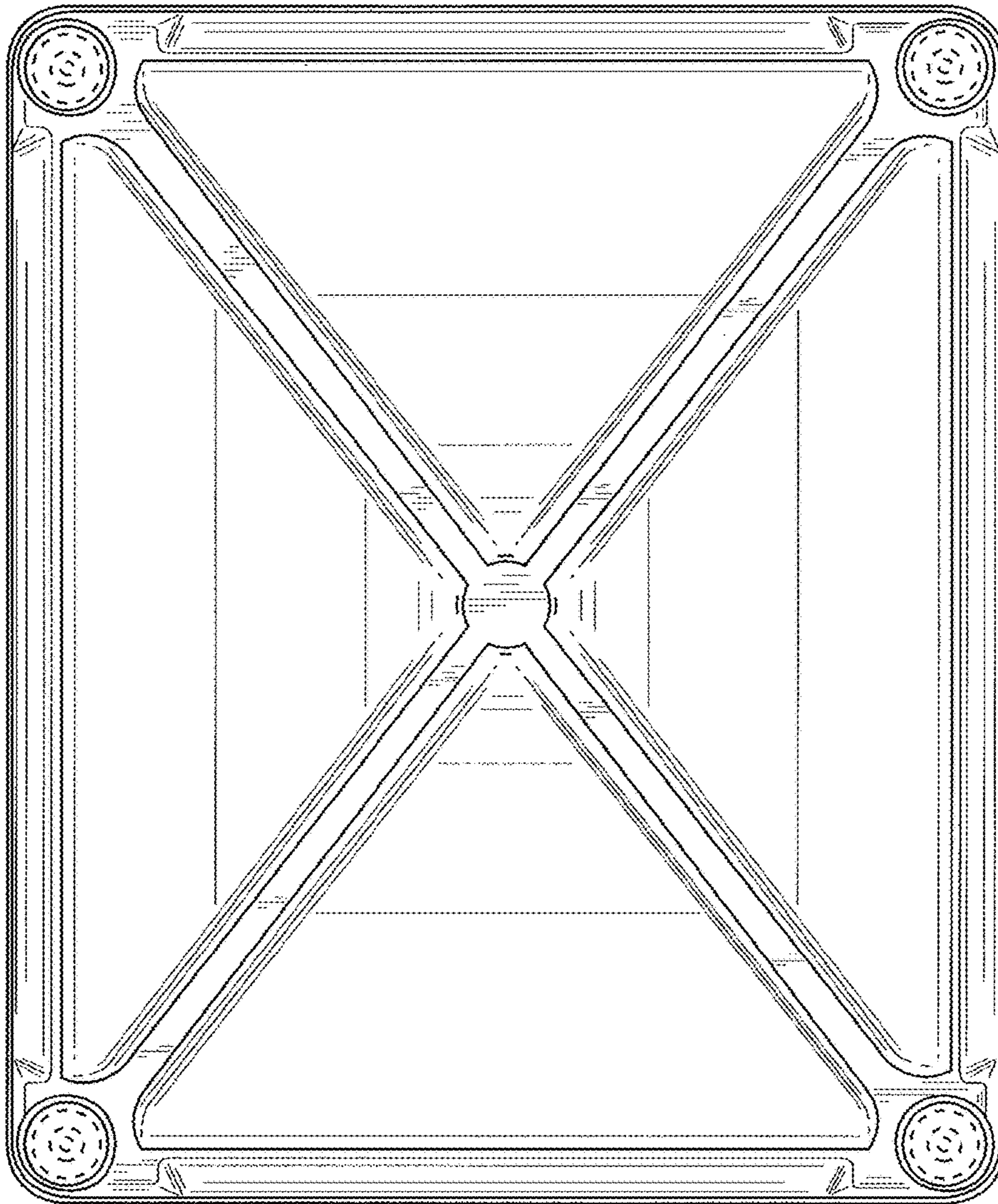


FIG. 3

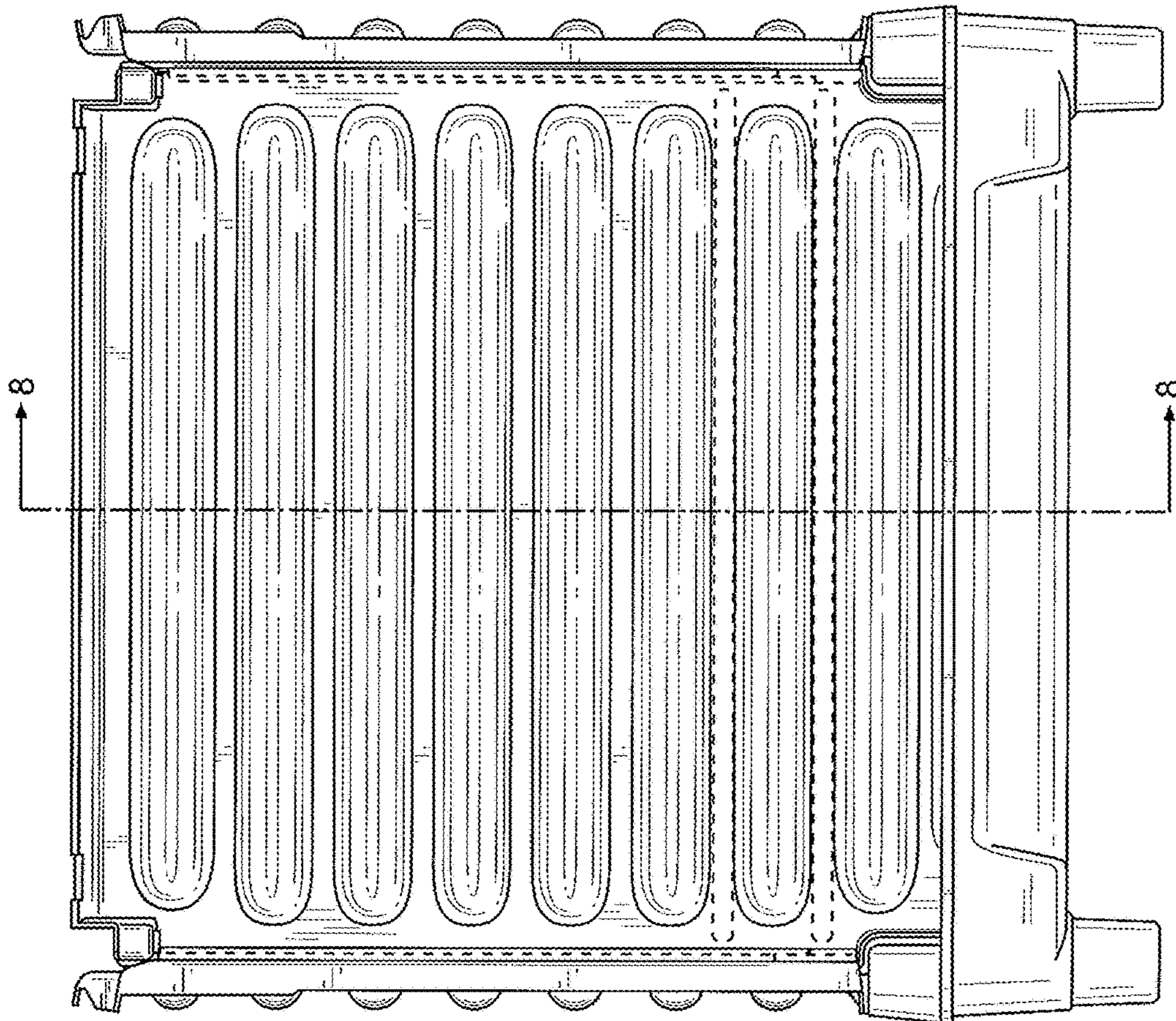


FIG. 4

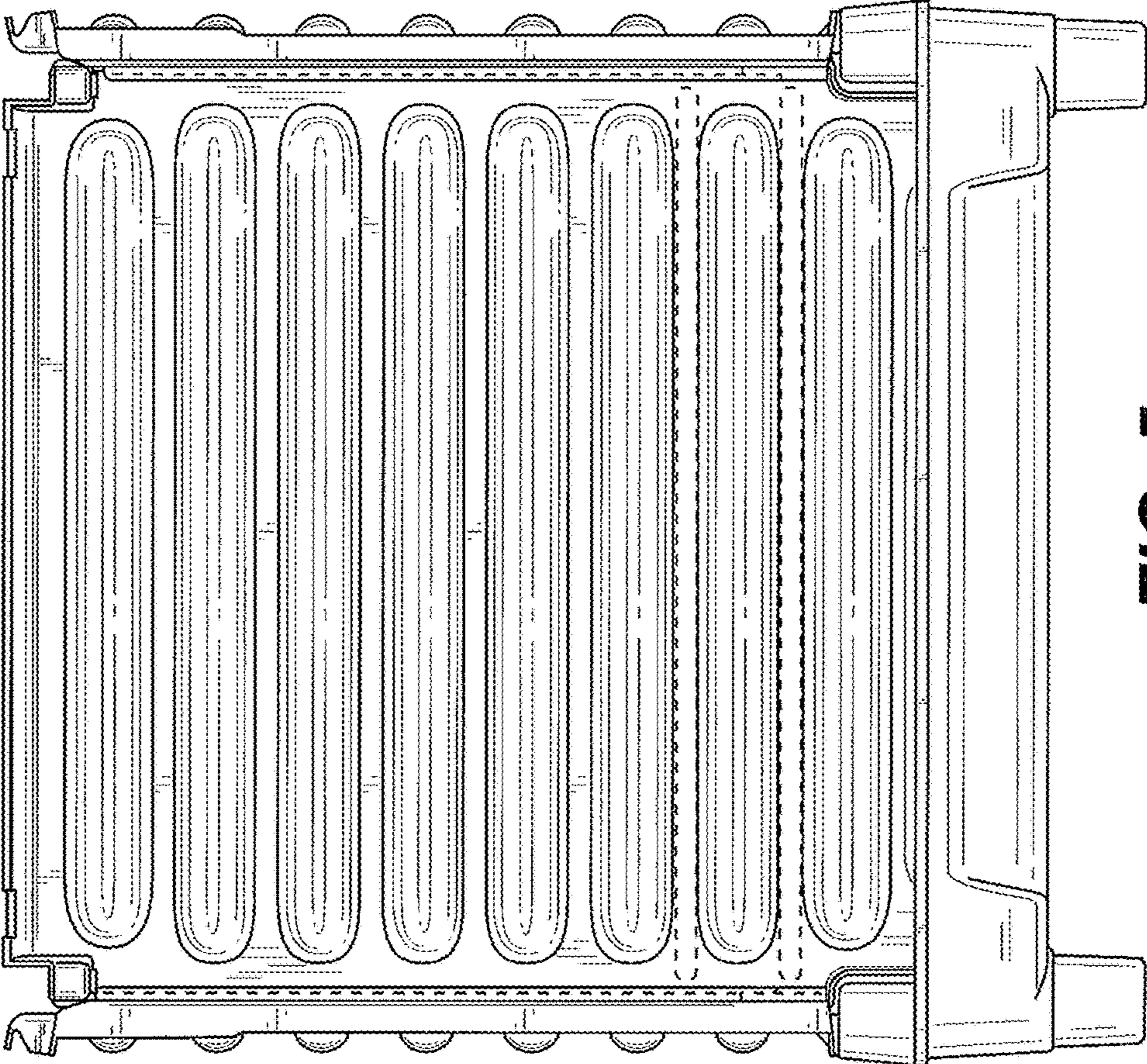


FIG. 5

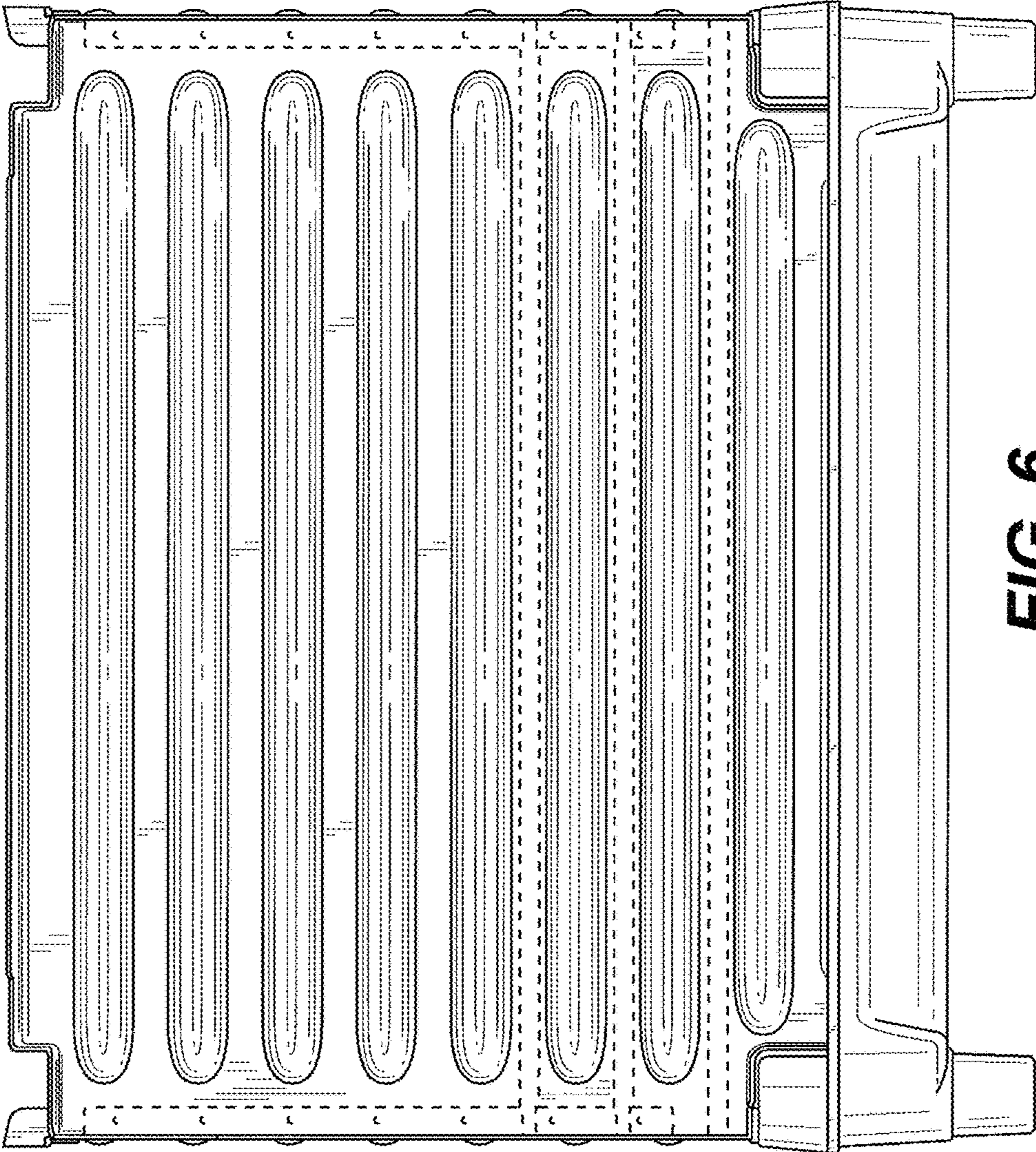


FIG. 6

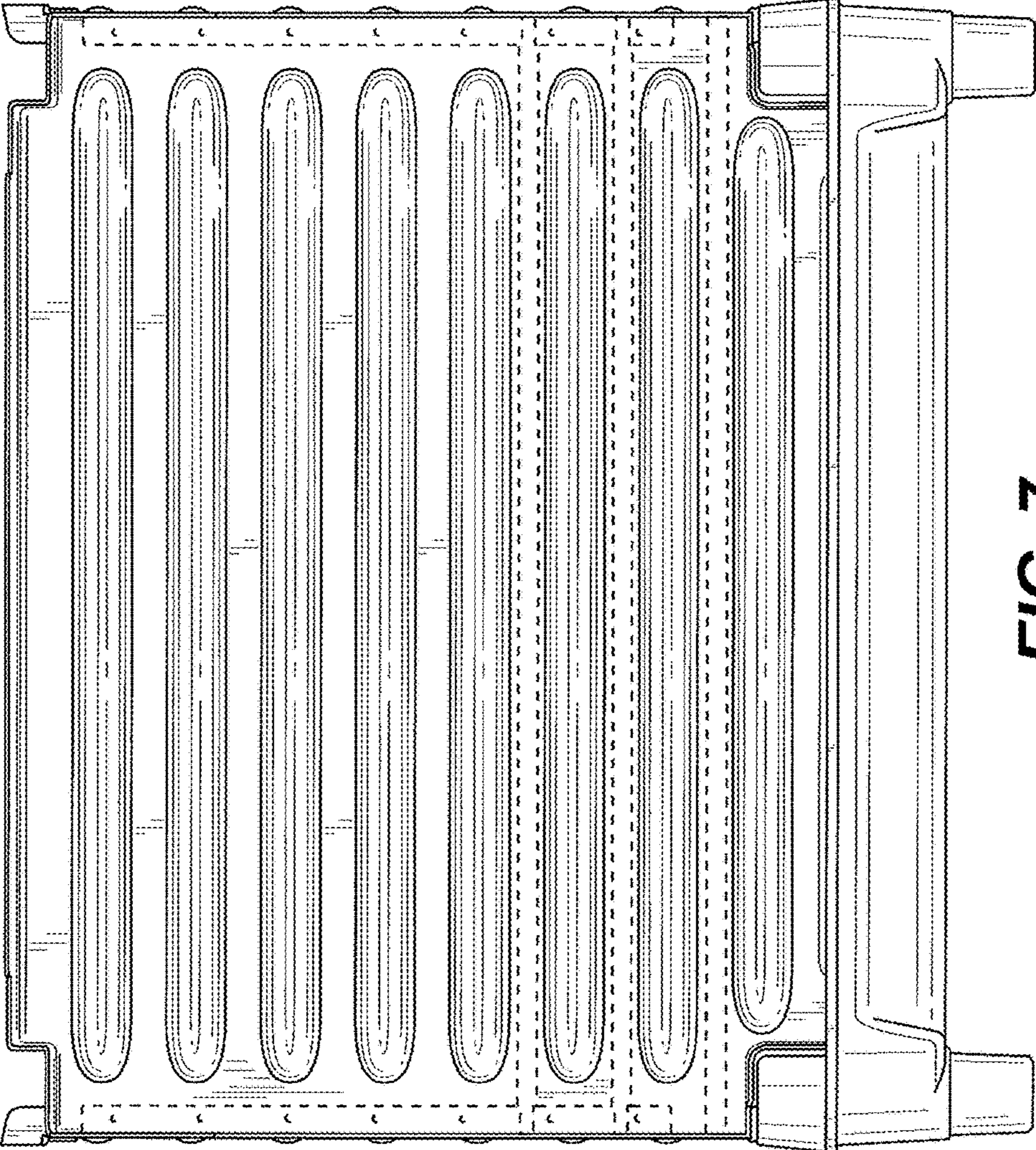


FIG. 7

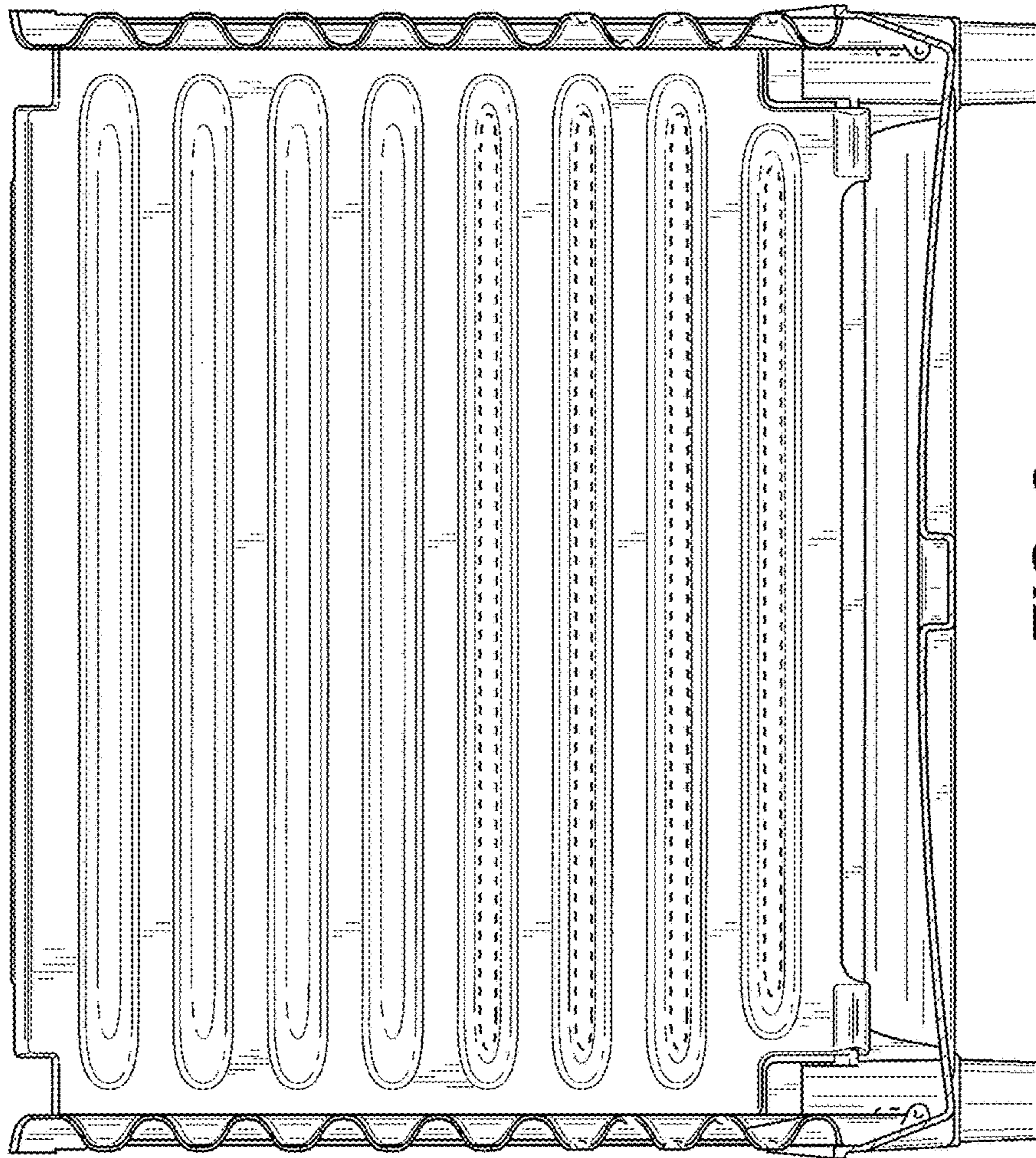


FIG. 8