



US00D805300S

(12) **United States Design Patent** (10) **Patent No.:** **US D805,300 S**  
**Sichi** (45) **Date of Patent:** **\*\* Dec. 19, 2017**

- (54) **SOFT-SIDED JEWELRY CASE**
- (71) Applicant: **Margaret Sichi**, Petaluma, CA (US)
- (72) Inventor: **Margaret Sichi**, Petaluma, CA (US)
- (\*\*) Term: **15 Years**
- (21) Appl. No.: **29/537,148**
- (22) Filed: **Aug. 22, 2015**

**Related U.S. Application Data**

- (63) Continuation-in-part of application No. 14/062,889, filed on Oct. 25, 2013, now Pat. No. 9,491,995.
- (51) **LOC (10) Cl.** ..... **03-01**
- (52) **U.S. Cl.**  
USPC ..... **D3/299**
- (58) **Field of Classification Search**  
USPC ..... D3/204, 218, 226, 230, 232, 243, 245,  
D3/246, 247, 249, 272, 273, 275, 276,  
D3/283-285, 289, 290, 294-296, 299,  
D3/303, 315, 903  
CPC ..... A45C 11/34  
See application file for complete search history.

(56) **References Cited**

**U.S. PATENT DOCUMENTS**

- 1,542,124 A \* 6/1925 Halvorsen ..... A45C 1/06  
150/138
- D134,884 S \* 1/1943 Engelstein ..... D14/482
- 3,756,399 A 9/1973 Cosier et al.
- D291,745 S \* 9/1987 Hansen ..... D3/284
- 4,720,012 A \* 1/1988 Dufour ..... A45C 11/16  
150/113
- 4,735,246 A 4/1988 Niehaus
- 4,760,920 A 8/1988 Thomsen
- 4,796,735 A \* 1/1989 Horiuchi ..... A45C 3/02  
150/108
- 4,848,562 A 5/1989 Liu
- 4,930,835 A 6/1990 Hotchkiss

- 5,025,918 A \* 6/1991 Bergeron ..... A45C 9/00  
206/495
- 5,617,948 A 4/1997 Rainey
- D382,706 S \* 8/1997 Sligh ..... D3/232
- D400,578 S \* 11/1998 Takemura ..... D19/26
- 5,860,855 A 1/1999 Alberti
- 5,890,587 A 4/1999 Roegner
- 6,039,175 A \* 3/2000 Wright ..... A45C 1/06  
150/131
- D458,752 S \* 6/2002 Wolf ..... D3/299

(Continued)

*Primary Examiner* — Sandra Snapp

*Assistant Examiner* — Holly E Thurman

(74) *Attorney, Agent, or Firm* — Edward S. Sherman

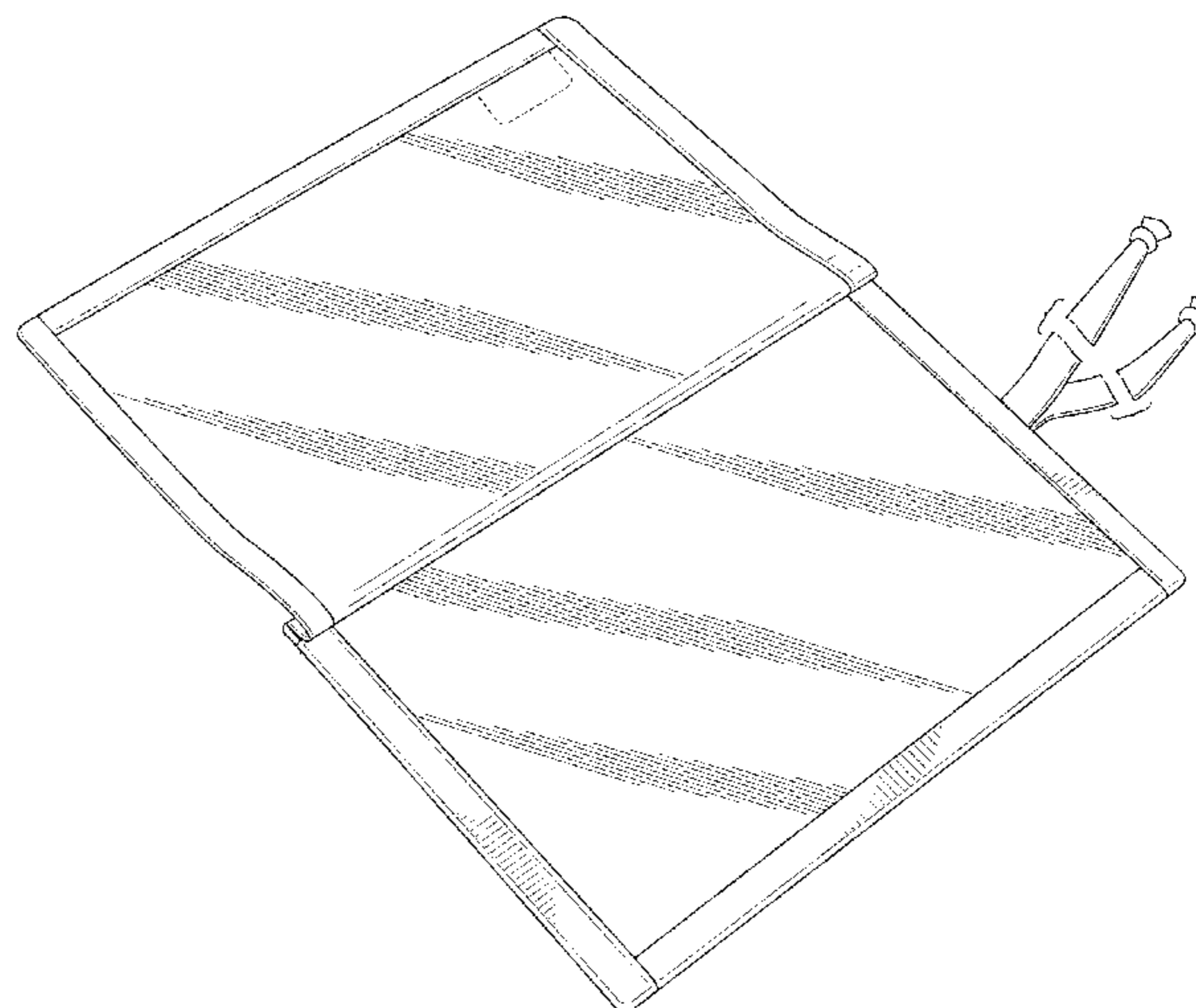
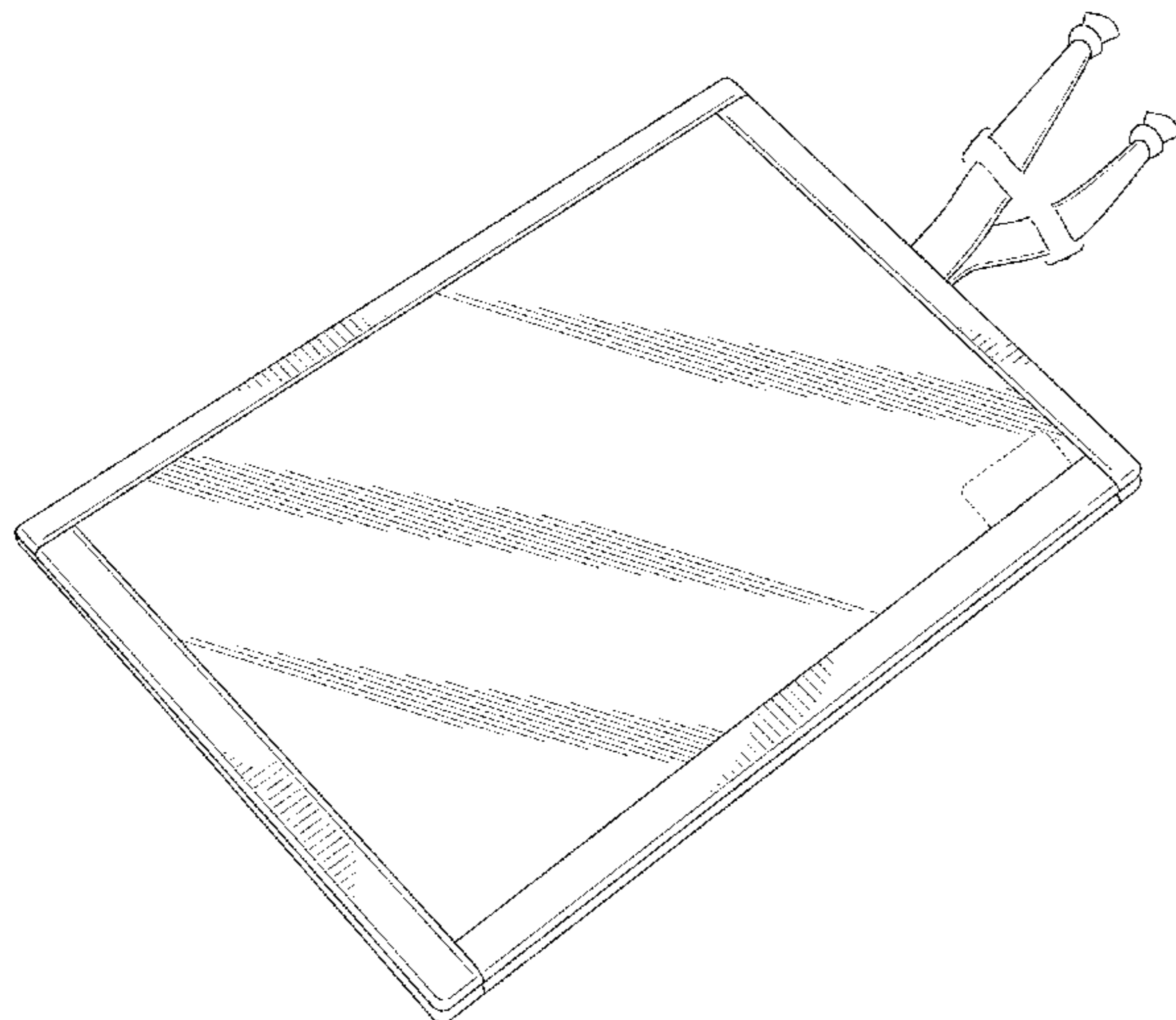
(57) **CLAIM**

The ornamental design for a soft-sided jewelry case, as shown and described.

**DESCRIPTION**

FIG. 1 is a top perspective view of the soft-sided jewelry case, in a flat closed condition;  
 FIG. 2 is a bottom perspective view thereof;  
 FIG. 3 is a top plan view thereof;  
 FIG. 4 is a bottom plan view thereof;  
 FIG. 5 is a right side elevation view thereof;  
 FIG. 6 is a left side elevation view thereof;  
 FIG. 7 is a front elevation view thereof;  
 FIG. 8 is a back elevation view thereof.  
 FIG. 9 is a top perspective view thereof in an open condition;  
 and,  
 FIG. 10 is a top bottom view thereof in an open condition.  
 The claimed design is shown with a symbolic break in its length. The appearance of any portion of the soft-side jewelry case between the break lines forms no part of the claimed design  
 The broken lines depict unclaimed environment and form no part of the claimed design.

**1 Claim, 8 Drawing Sheets**



(56)

**References Cited**

U.S. PATENT DOCUMENTS

D476,811 S \* 7/2003 Brookhouse ..... D3/206  
6,715,594 B2 \* 4/2004 Milionta ..... A01K 97/06  
150/111  
6,763,943 B1 \* 7/2004 Domyan ..... D05C 1/065  
206/388  
7,731,023 B1 7/2010 Lesch  
D629,203 S \* 12/2010 Sayre ..... D3/299  
D643,154 S \* 8/2011 Dumala ..... D28/75  
8,312,990 B2 \* 11/2012 Gaspari ..... A45C 7/0095  
206/566  
8,727,110 B2 \* 5/2014 Walsh ..... A45C 11/16  
206/6.1  
D716,047 S \* 10/2014 Hill ..... D3/299  
D720,537 S \* 1/2015 Taller ..... D3/285  
D734,034 S \* 7/2015 Hill ..... D3/299  
D753,398 S \* 4/2016 Arami ..... D3/299  
D756,641 S \* 5/2016 DeChant ..... D3/247  
2007/0246389 A1 10/2007 Marcello

\* cited by examiner

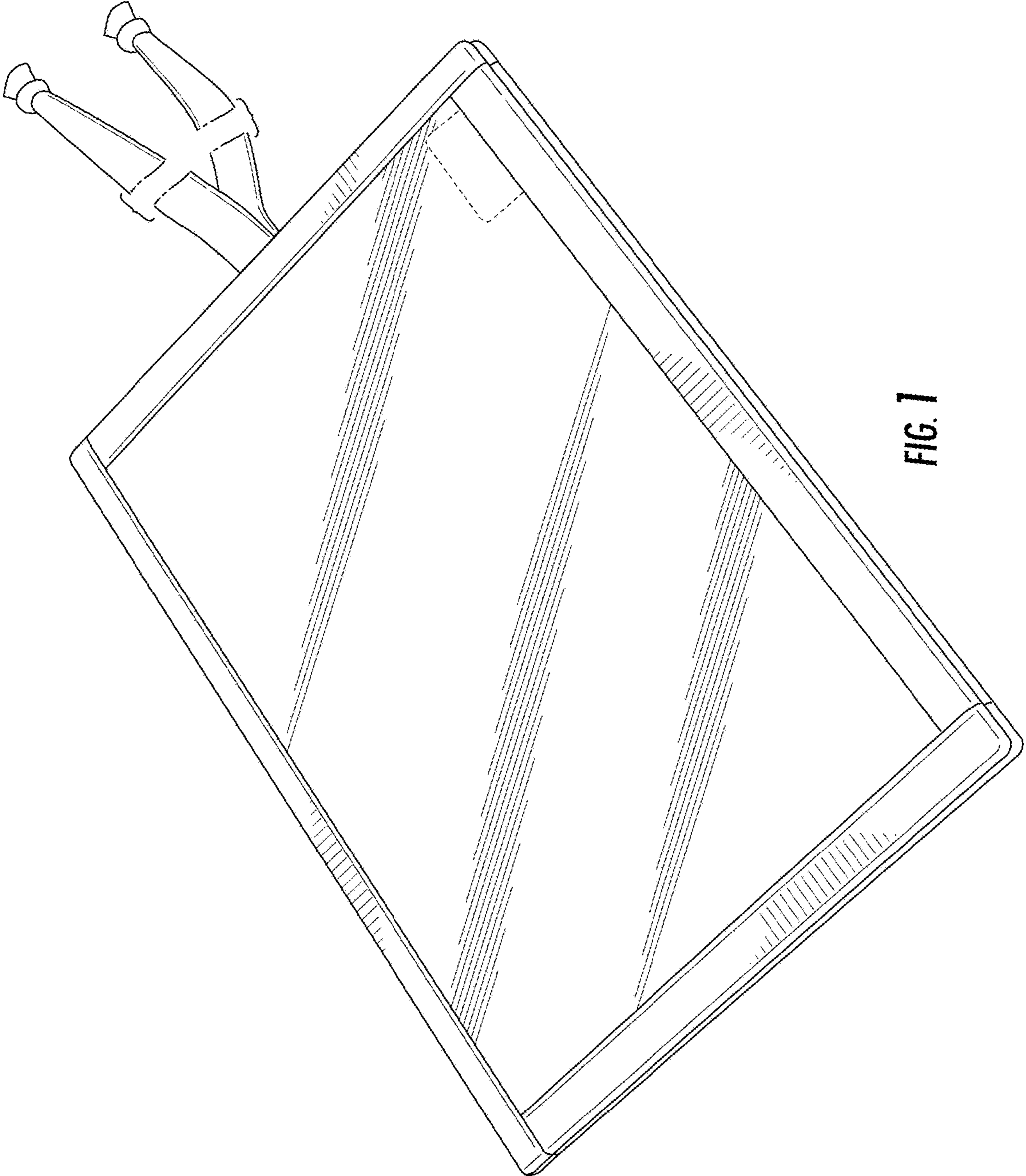


FIG. 1

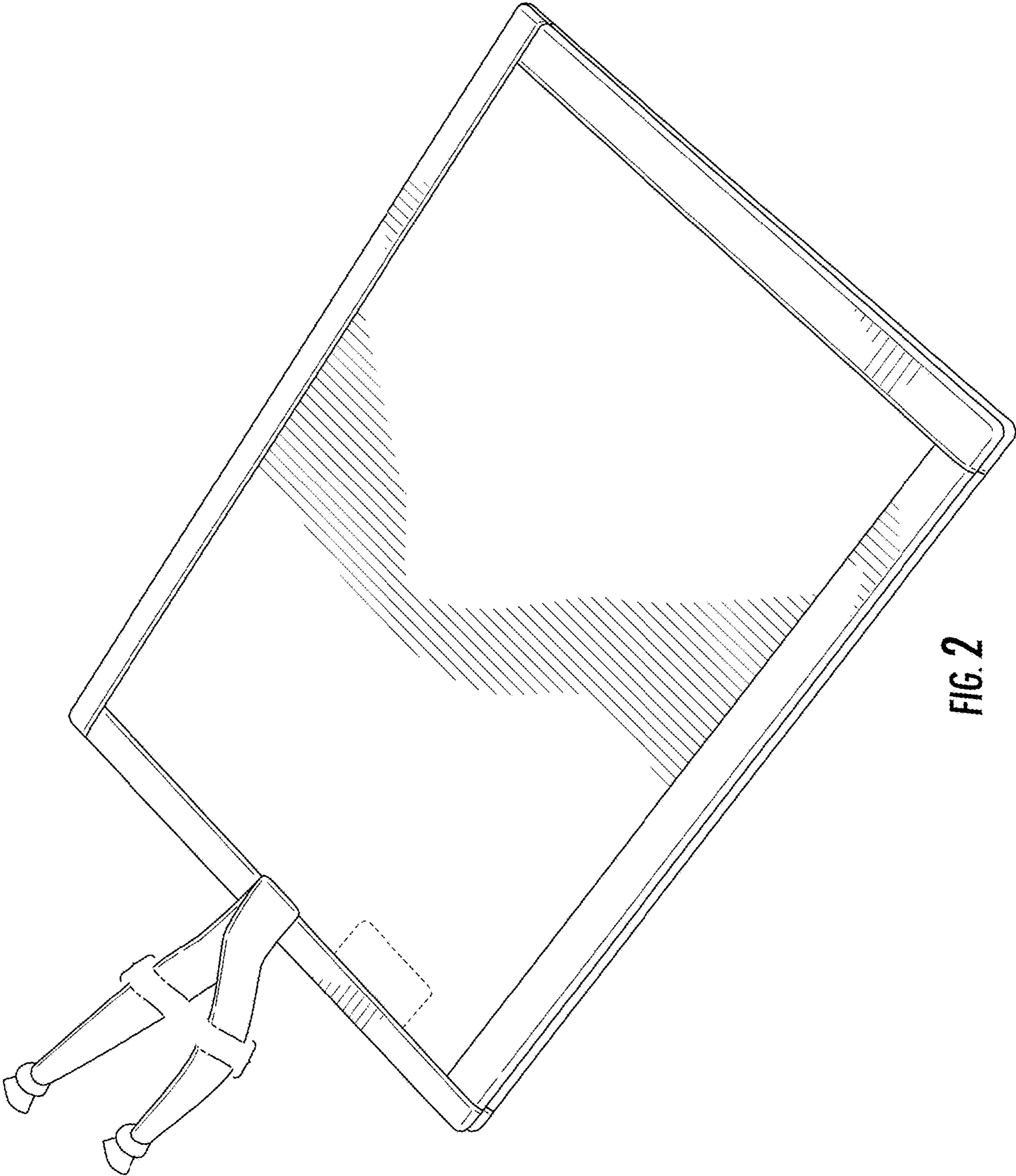


FIG. 2

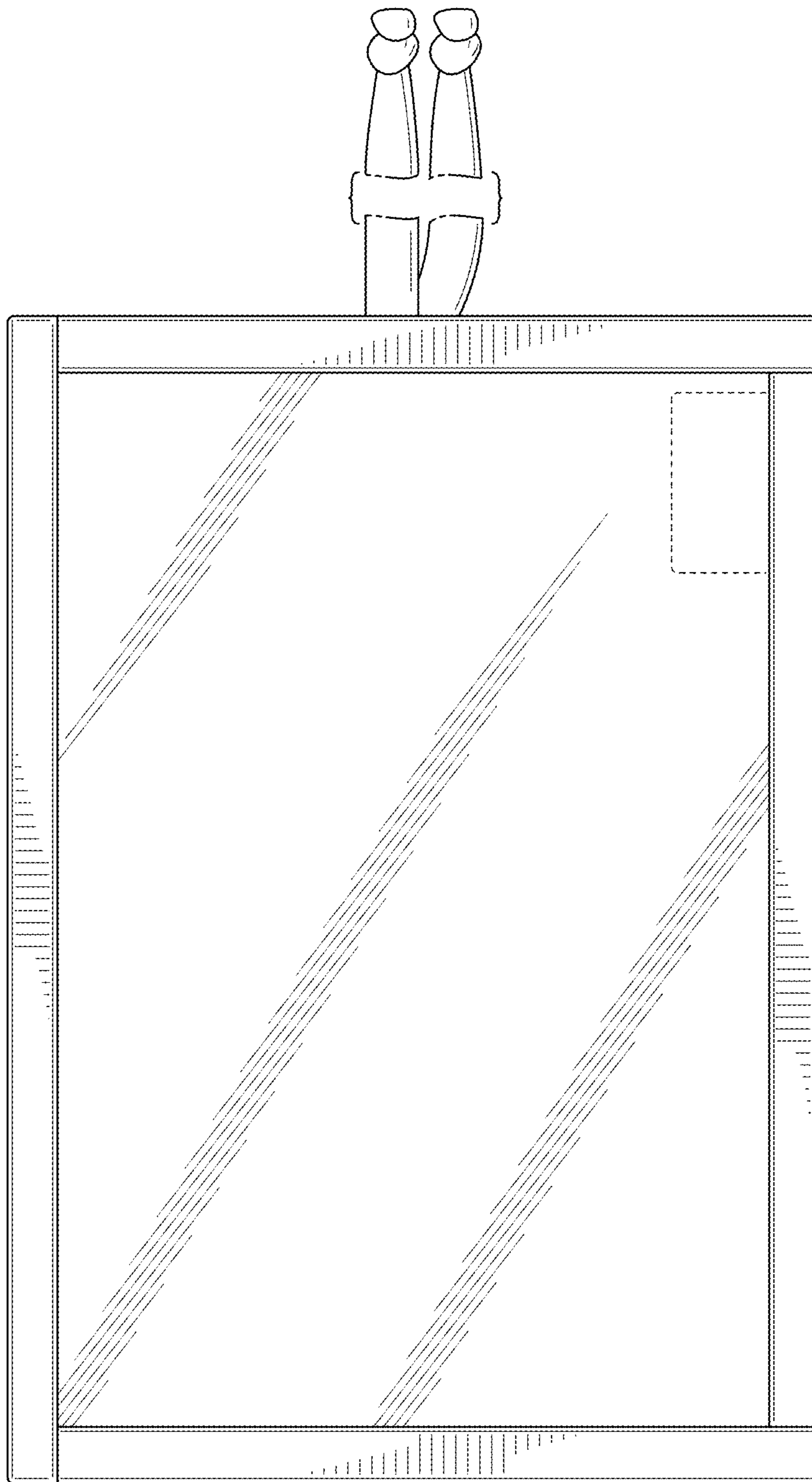


FIG. 3

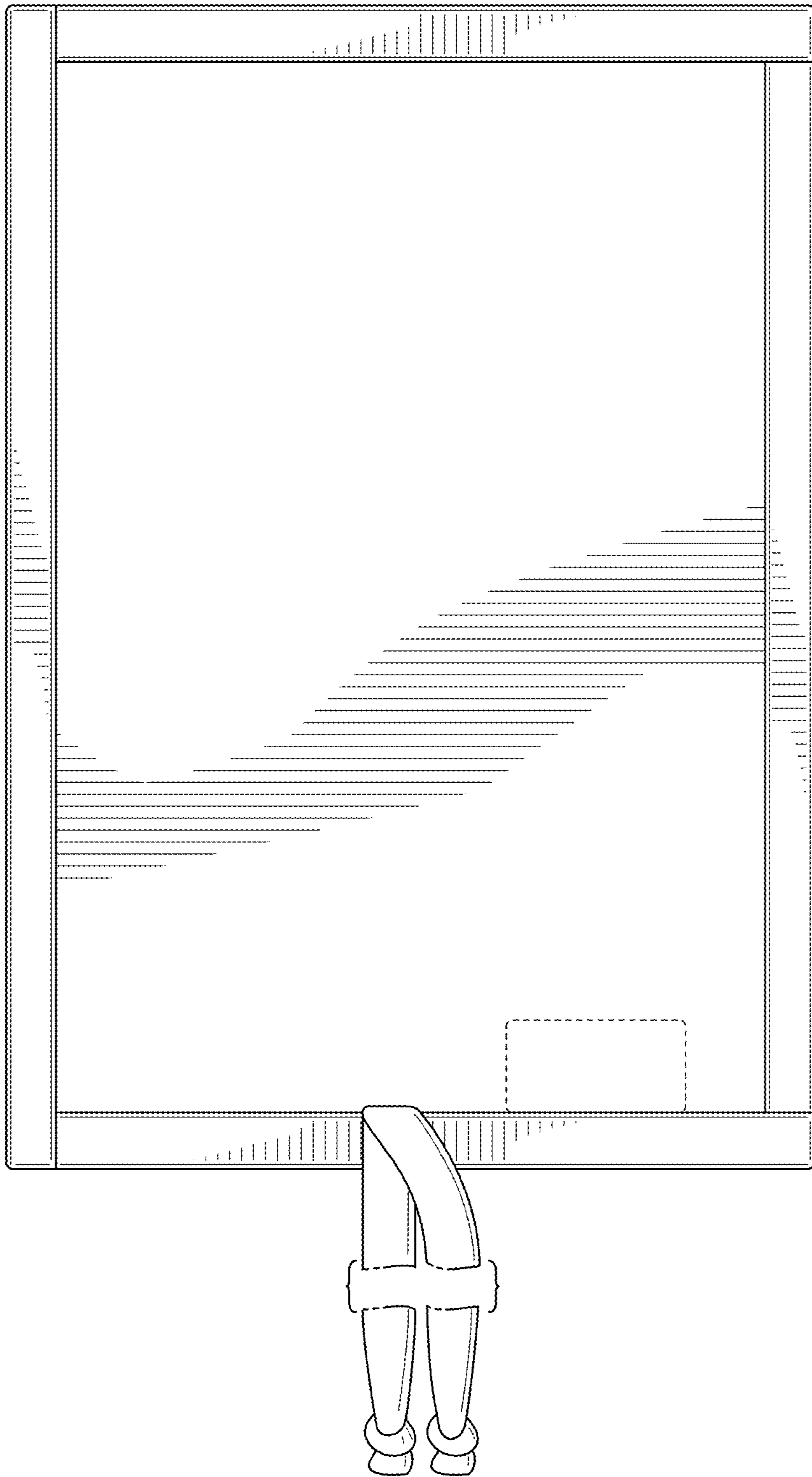


FIG. 4

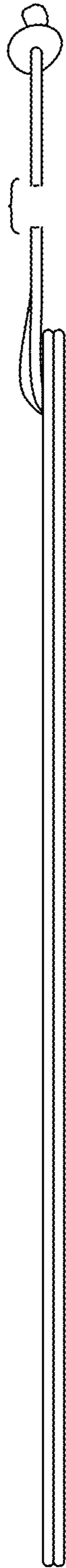


FIG. 5

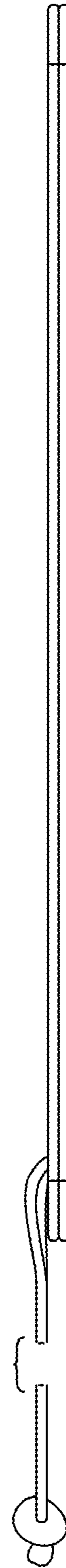
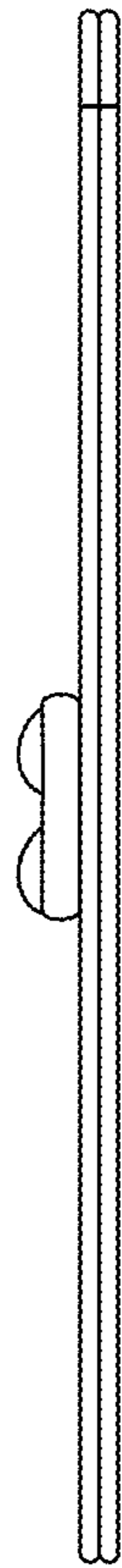


FIG. 6



**FIG. 7**



**FIG. 8**



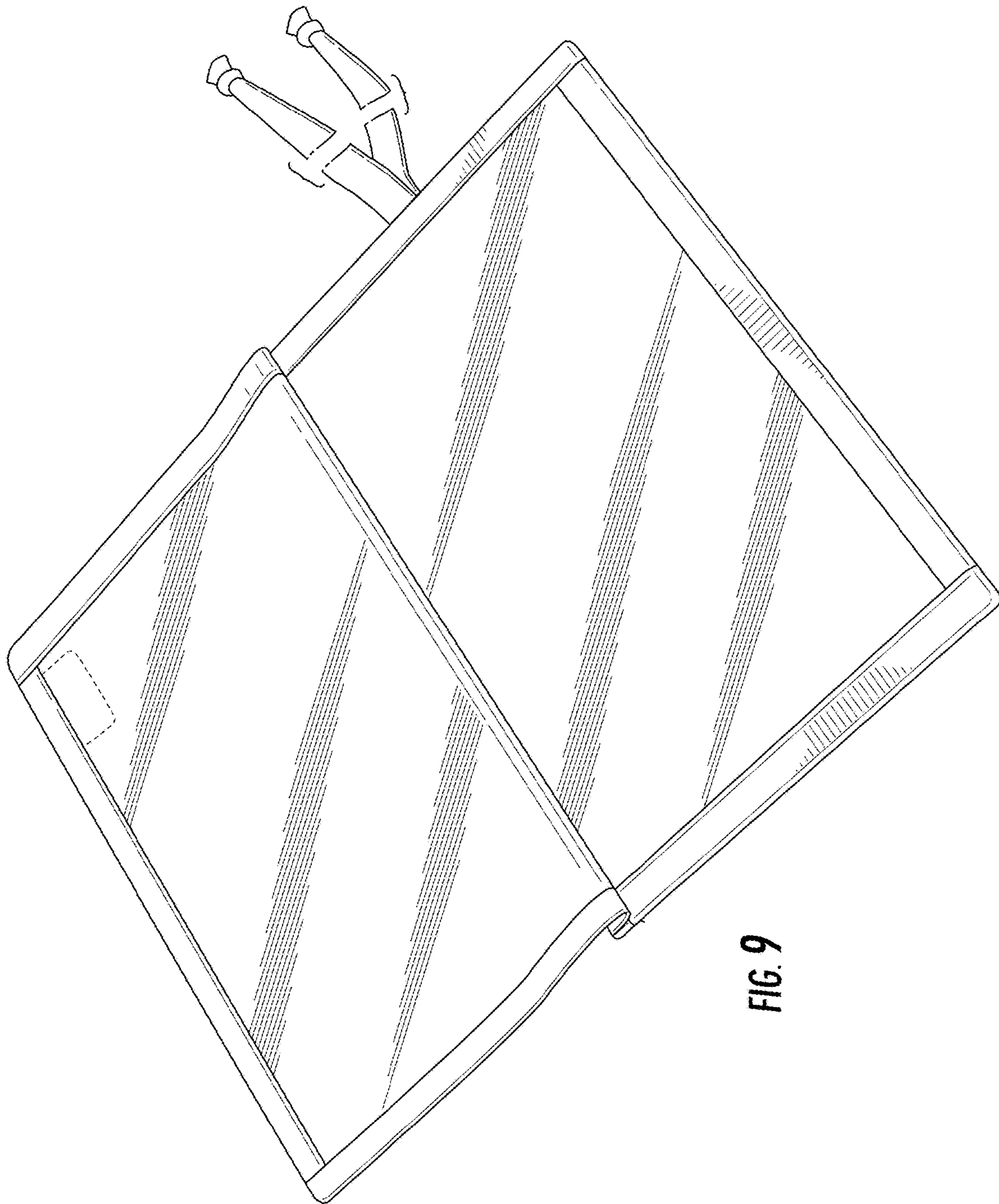


FIG. 9

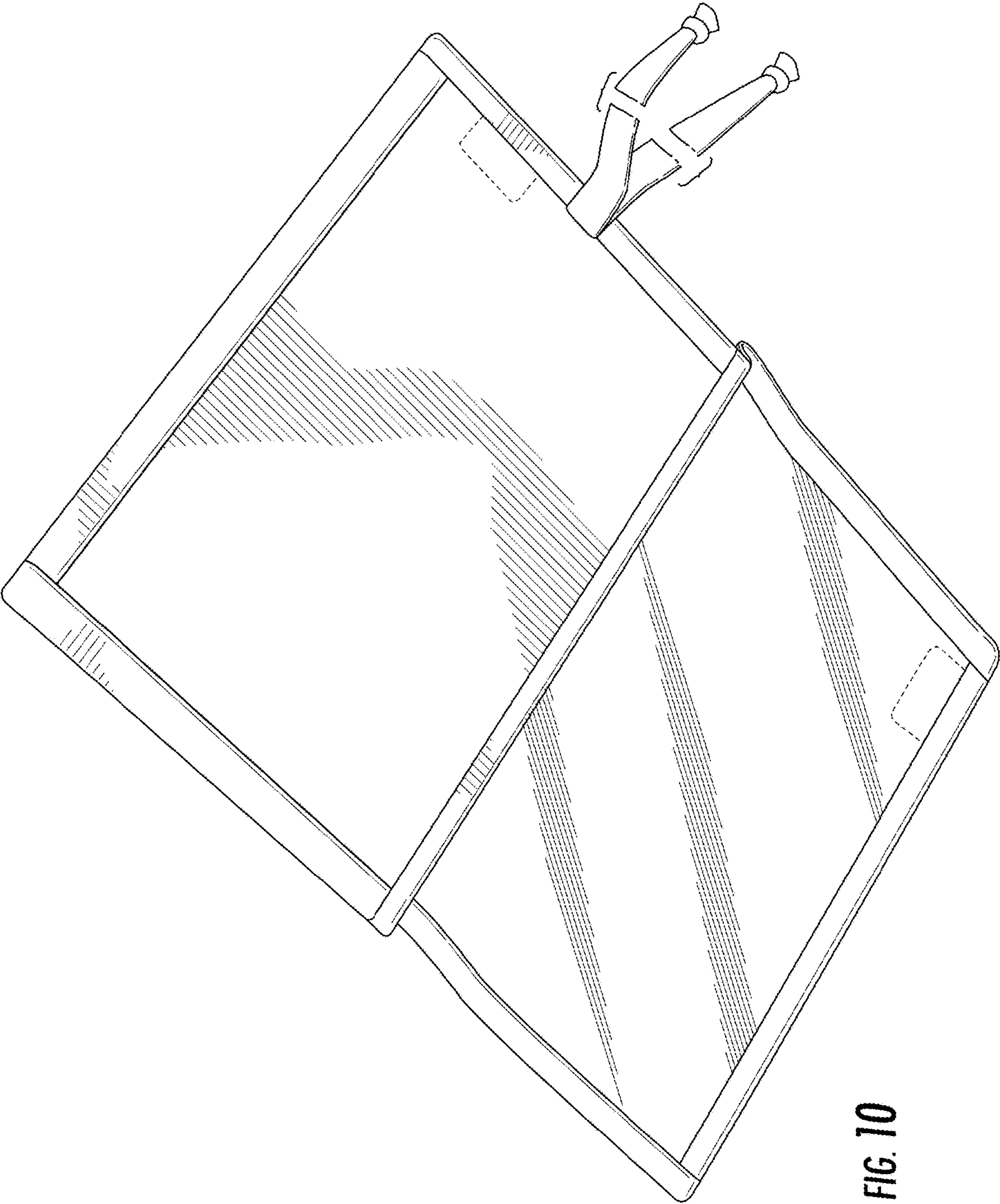


FIG. 10