



US00D805299S

(12) **United States Design Patent** (10) **Patent No.:** **US D805,299 S**  
**Zhang** (45) **Date of Patent:** **\*\* Dec. 19, 2017**

(54) **BAG FOR NOTEBOOK COMPUTERS**

D677,466 S \* 3/2013 Passavant ..... D3/290  
D761,564 S \* 7/2016 Rhodes ..... D3/284  
D771,942 S \* 11/2016 Wu ..... D3/289  
D795,571 S \* 8/2017 Nair ..... D3/243

(71) Applicant: **Shenzhen Tomtoc Technology Co., Ltd.**, Guangdong (CN)

(72) Inventor: **Hai Zhang**, Guangdong (CN)

(\*\*) Term: **15 Years**

(21) Appl. No.: **29/605,107**

(22) Filed: **May 24, 2017**

(30) **Foreign Application Priority Data**

Jan. 4, 2017 (CN) ..... 2017 3 0001617

(51) **LOC (10) Cl.** ..... **03-01**

(52) **U.S. Cl.**  
USPC ..... **D3/283**

(58) **Field of Classification Search**  
USPC ..... D3/274, 273, 276, 283, 284, 285, 287,  
D3/288, 289, 290, 905, 203.1, 203.6, 205,  
D3/215, 243, 244, 299, 902; D12/415,  
D12/416; D7/605, 607  
CPC ..... A45C 3/04; A45C 5/005; A45C 2005/10;  
A45C 2007/0004; A45C 7/0036; A45C  
2009/007; A45C 9/00; A45C 2011/003;  
A45C 11/20

See application file for complete search history.

(56) **References Cited**

**U.S. PATENT DOCUMENTS**

D441,533 S \* 5/2001 Tawil ..... D3/276  
D459,076 S \* 6/2002 Chapelier ..... D3/276  
D464,197 S \* 10/2002 Kegels ..... D3/276  
D518,956 S \* 4/2006 Van Himbeeck ..... D3/289  
D529,717 S \* 10/2006 Brancky ..... D3/276  
D568,047 S \* 5/2008 Brancky ..... D3/284  
D623,857 S \* 9/2010 Austin ..... D3/289  
D672,959 S \* 12/2012 Denzinger ..... D3/289

**OTHER PUBLICATIONS**

Amazon, "S-ZONE Fashion Laptop Case Messenger Shoulder 15.6 inch Laptop Bag Briefcase", Sell date Jul. 10, 2017, Accessed Sep. 26, 2017. (<https://www.amazon.com/dp/B073TX1MFR>).\*  
Amazon, "Diesel Men's Beat the Box Phasers Messenger, Heather", Sell date Mar. 2, 2016, Accessed Sep. 26, 2017. (<https://www.amazon.com/Diesel-Mens-Phasers-Messenger-Heather/dp/B01BE5LPJO>).\*

\* cited by examiner

*Primary Examiner* — Jennifer Rivard

*Assistant Examiner* — April Rivas

(74) *Attorney, Agent, or Firm* — Prakash Nama; Global IP Services, PLLC

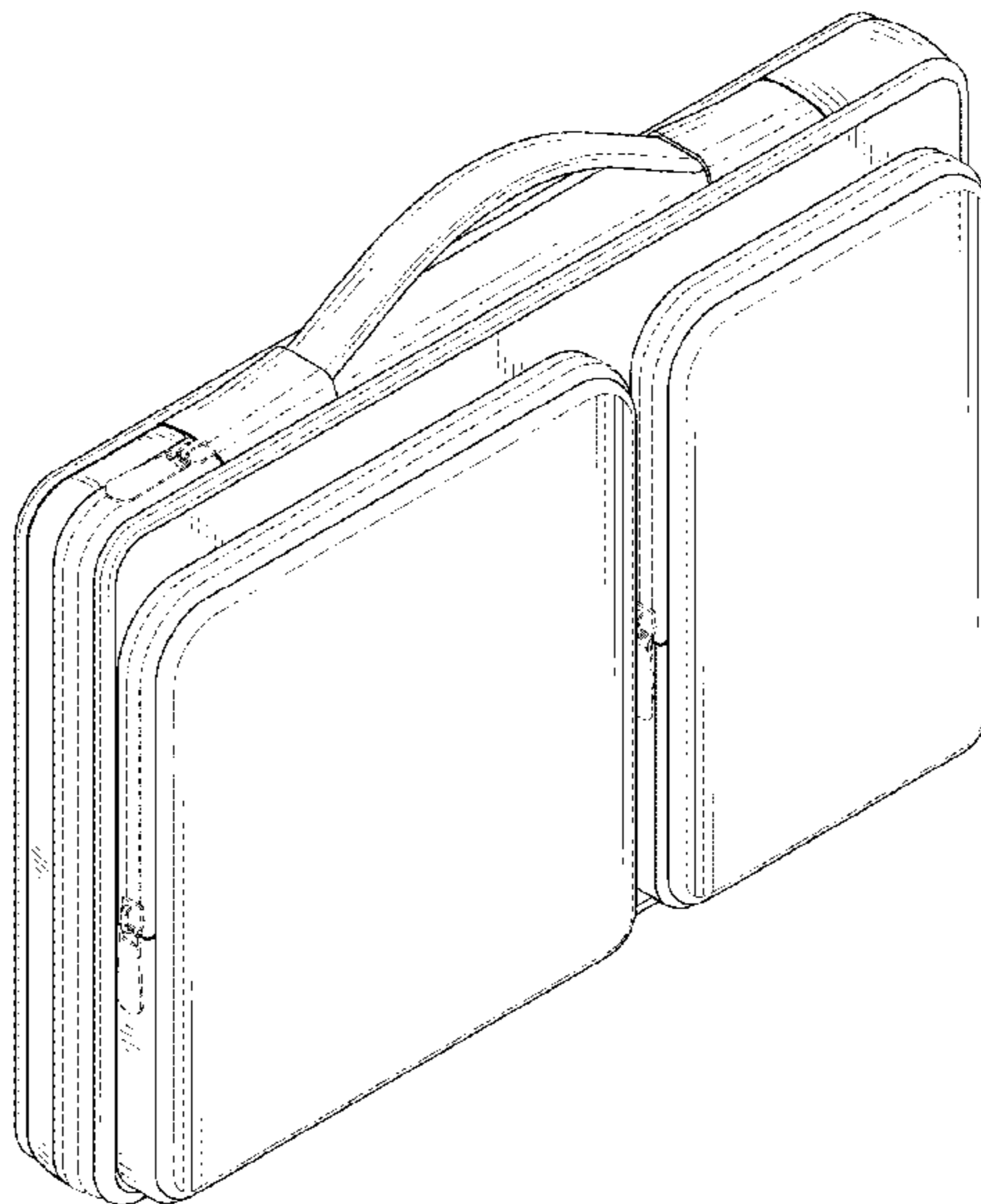
(57) **CLAIM**

The ornamental design for the bag for notebook computers, as shown and described.

**DESCRIPTION**

FIG. 1 is a front elevational view of the bag for notebook computers showing my new design;  
FIG. 2 is a rear elevational view thereof;  
FIG. 3 is a left side view thereof;  
FIG. 4 is a right side view thereof;  
FIG. 5 is a top plan view thereof;  
FIG. 6 is a bottom plan view thereof; and,  
FIG. 7 is a perspective view thereof.  
The broken lines shown in FIGS. form no part of the claimed design.

**1 Claim, 3 Drawing Sheets**



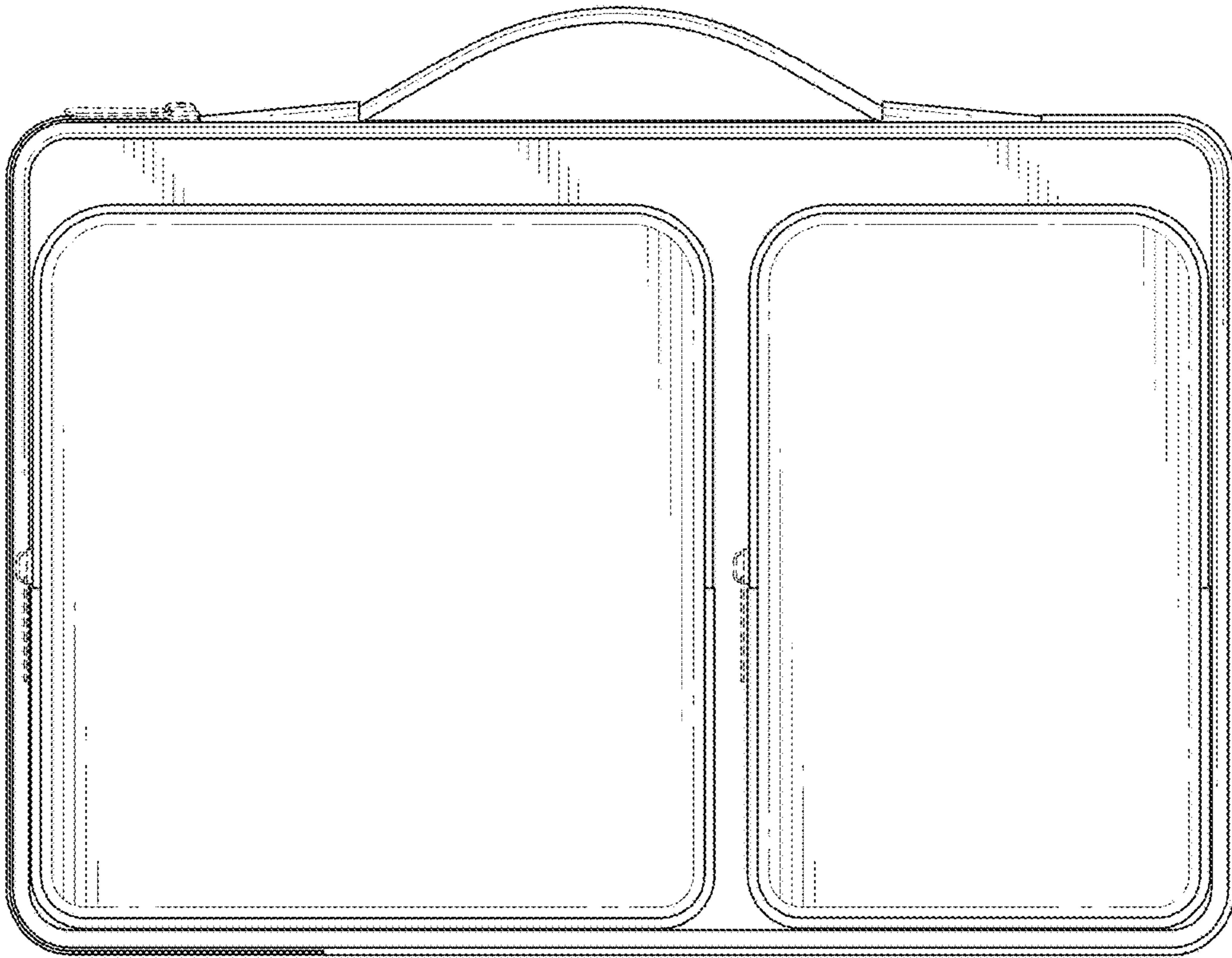


FIG. 1

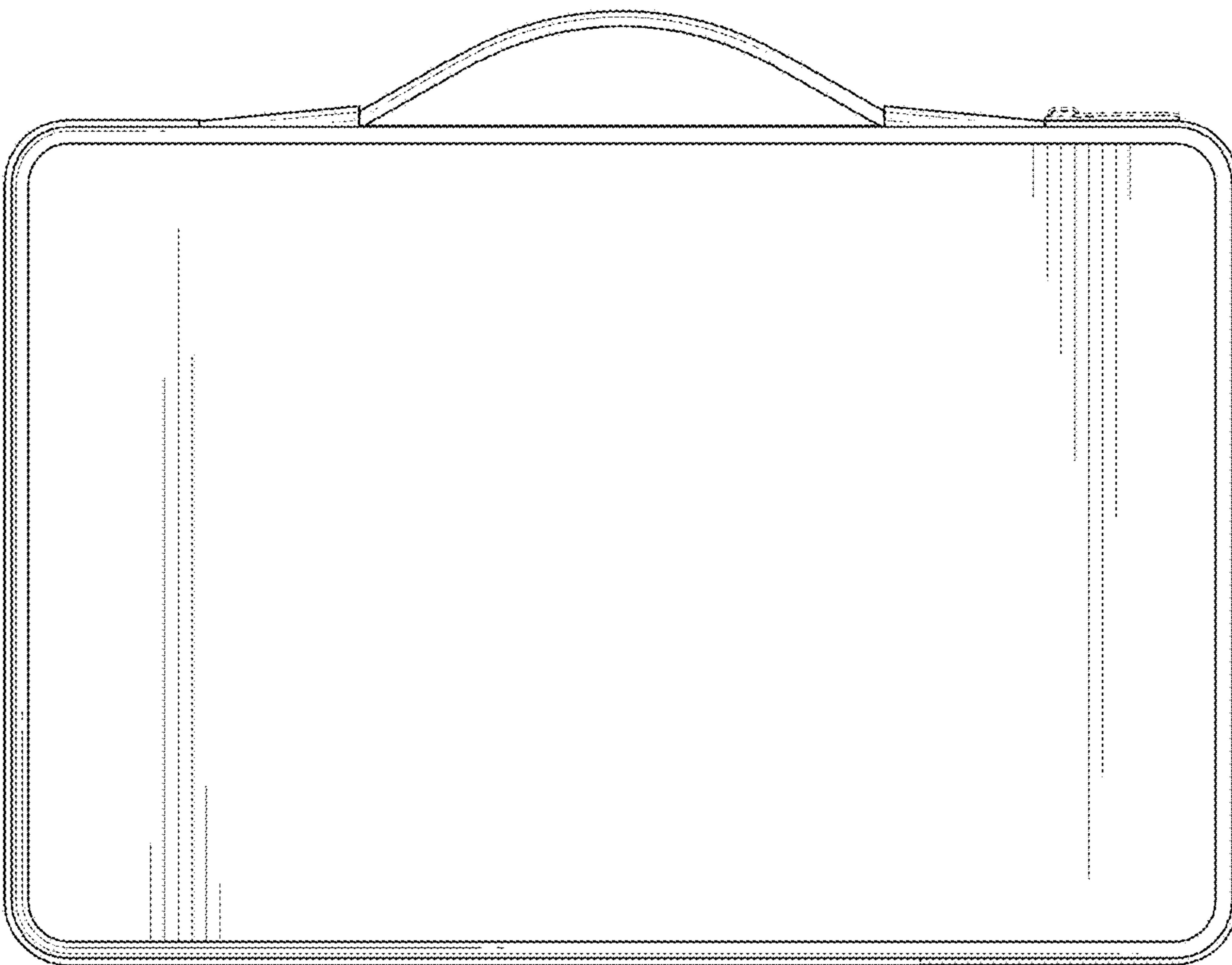


FIG. 2

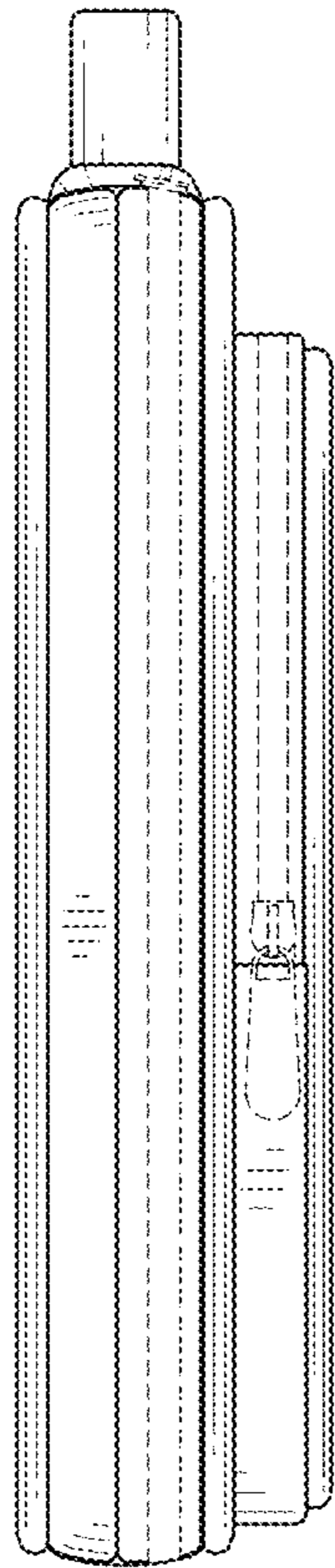


FIG. 3

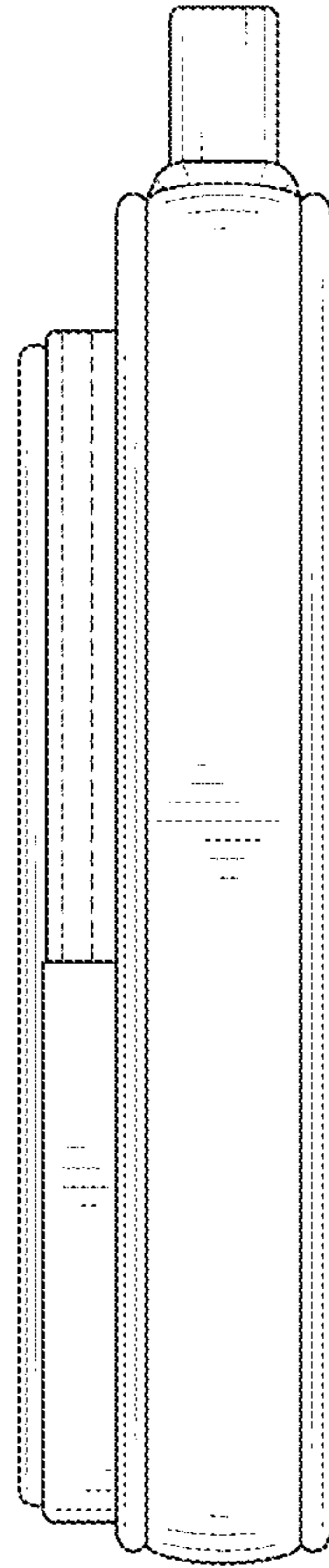


FIG. 4

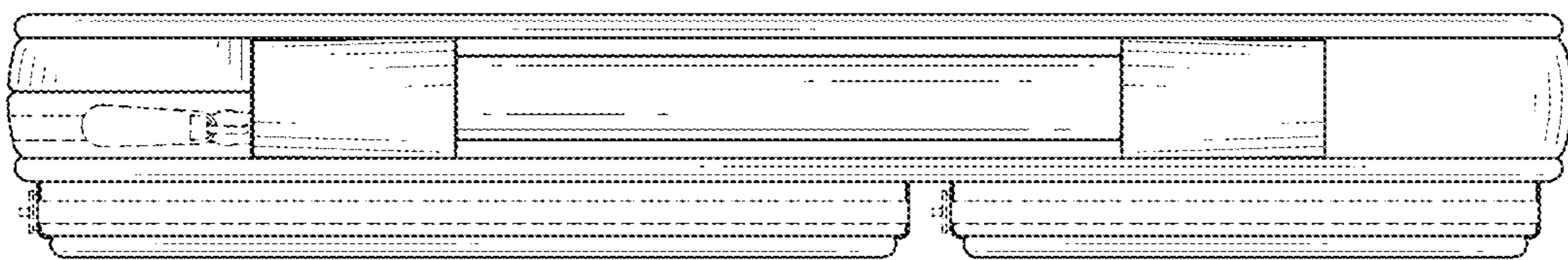


FIG. 5

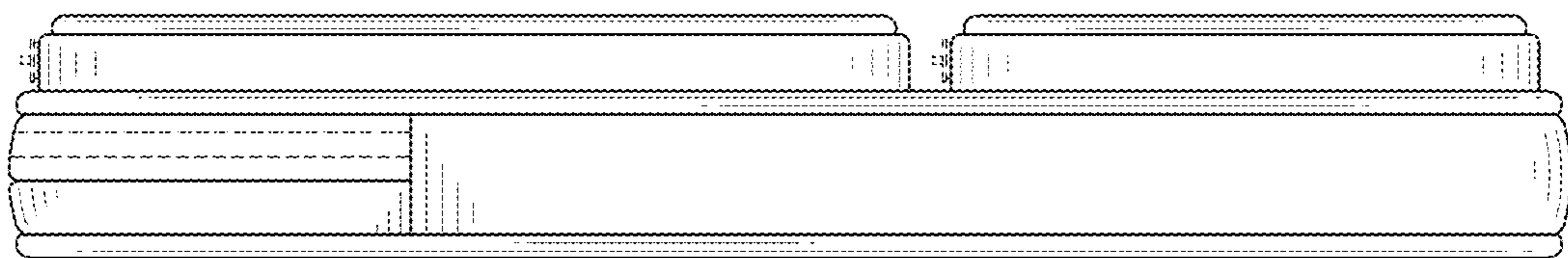


FIG. 6

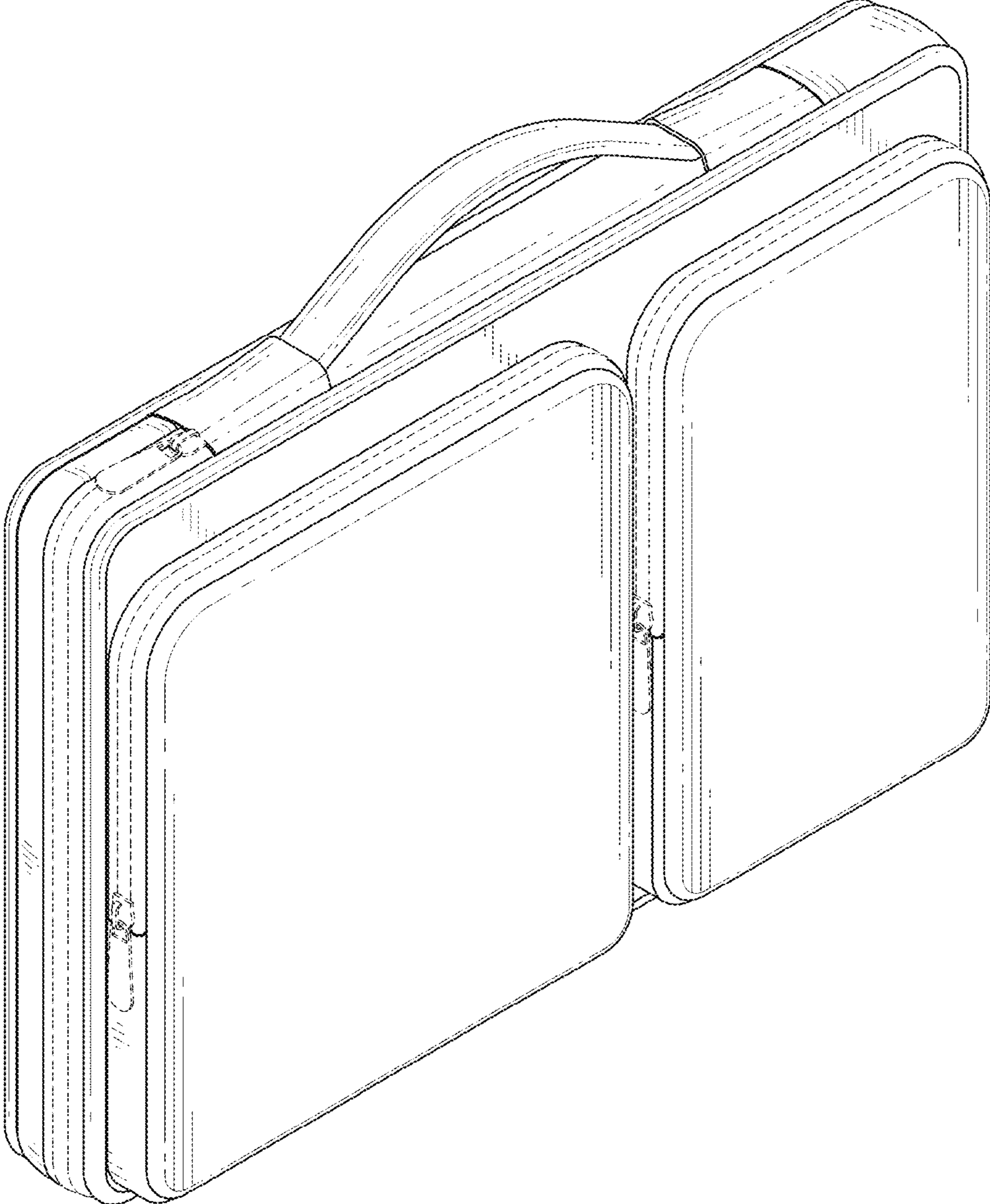


FIG. 7