



US00D805291S

(12) **United States Design Patent** (10) **Patent No.:** **US D805,291 S**
Vasquez, Jr. et al. (45) **Date of Patent:** **** Dec. 19, 2017**

(54) **SHOE WITH LACES**

(71) Applicants: **Alfred Brandin Vasquez, Jr.**, Phoenix, AZ (US); **Sean O'Hare**, Maricopa, AZ (US)

(72) Inventors: **Alfred Brandin Vasquez, Jr.**, Phoenix, AZ (US); **Sean O'Hare**, Maricopa, AZ (US)

(**) Term: **15 Years**

(21) Appl. No.: **29/534,732**

(22) Filed: **Jul. 30, 2015**

(51) **LOC (10) Cl.** **02-04**

(52) **U.S. Cl.**
USPC **D2/978**

(58) **Field of Classification Search**
USPC D02/896-900, 910-912, 916, 917, 925, D02/946, 969, 970; D21/788
CPC A43B 23/00; A43B 7/32; A43B 5/02
See application file for complete search history.

(56) **References Cited**

U.S. PATENT DOCUMENTS

3,091,871	A *	6/1963	Tronche	A43B 7/32
					36/71
D426,942	S *	6/2000	Doubleday	D2/897
D548,444	S *	8/2007	Covatch	D2/946
D552,840	S *	10/2007	Blumenfeld	D2/970
D639,035	S *	6/2011	Delavaldene	D2/897
D680,717	S *	4/2013	Rinaldi	D2/897
D684,343	S *	6/2013	Sundberg	D2/897
D684,344	S *	6/2013	Sundberg	D2/897
D752,323	S *	3/2016	Holt	D2/912

* cited by examiner

Primary Examiner — Holly Baynham
Assistant Examiner — Rashida C Walshon
(74) *Attorney, Agent, or Firm* — IPTechLaw

(57) **CLAIM**

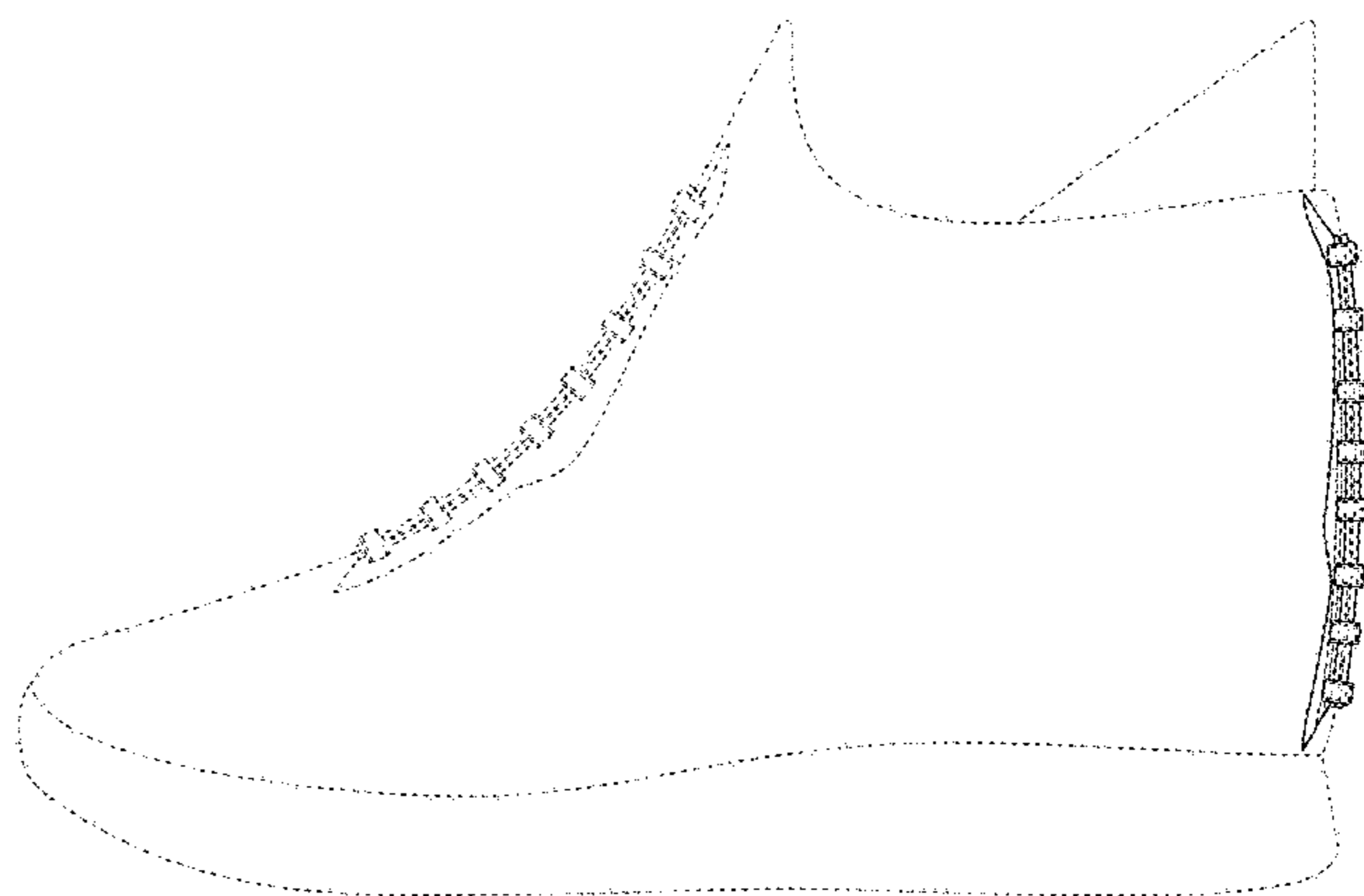
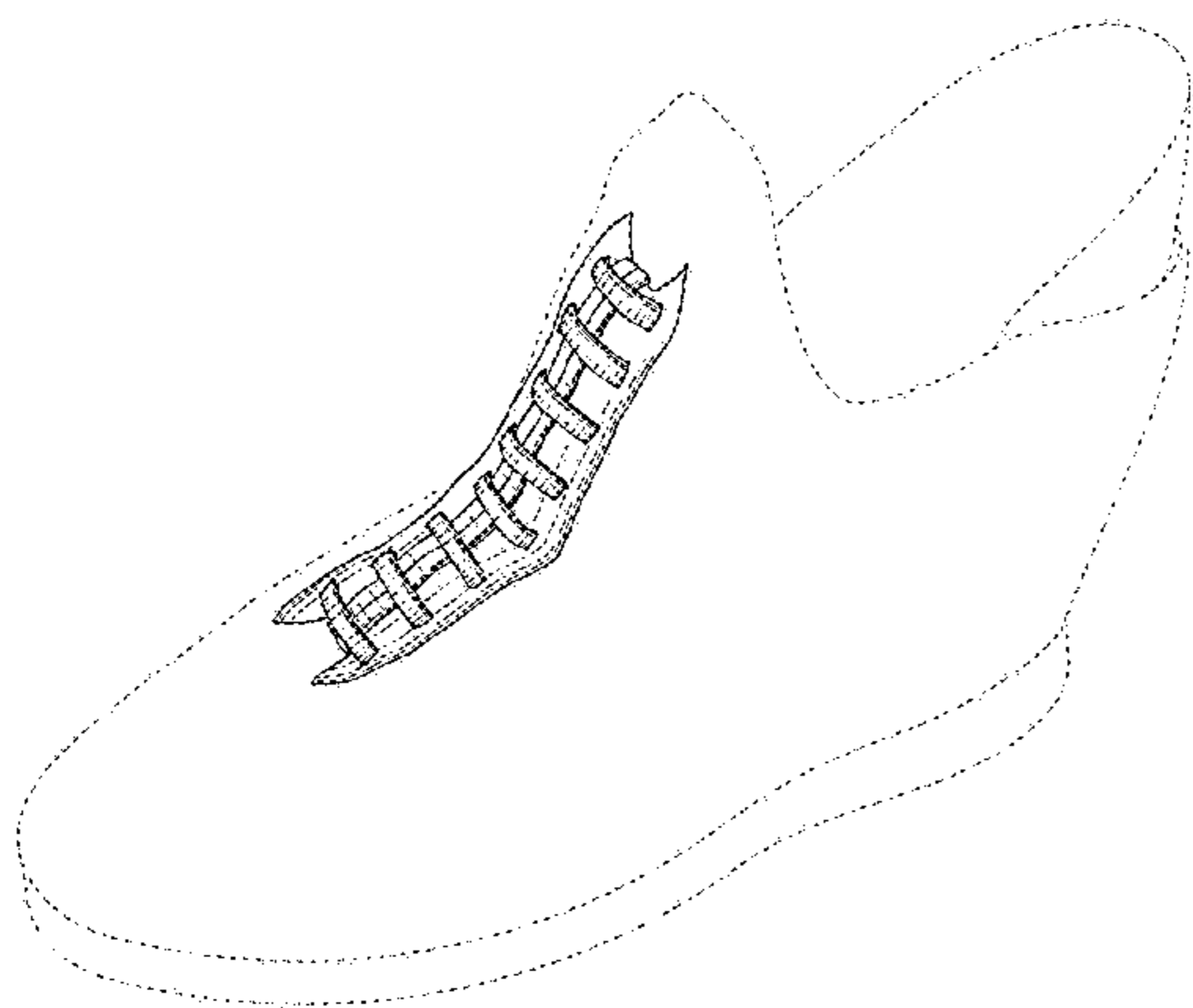
The ornamental design for a shoe with laces, as shown and described.

DESCRIPTION

FIG. 1 is front perspective view of a first embodiment of a shoe with laces;
FIG. 2 is a front view thereof;
FIG. 3 is rear view thereof;
FIG. 4 is right side view thereof;
FIG. 5 is left side view thereof;
FIG. 6 is a top view thereof;
FIG. 7 is a bottom view thereof;
FIG. 8 is a front perspective view of a second embodiment of a shoe with laces;
FIG. 9 is a front view thereof;
FIG. 10 is a rear view thereof;
FIG. 11 is a right side view thereof;
FIG. 12 is a left side view thereof;
FIG. 13 is a top view thereof;
FIG. 14 is a bottom view thereof;
FIG. 15 is a front perspective view of a third embodiment of a shoe with laces;
FIG. 16 is a front view thereof;
FIG. 17 is a rear view thereof;
FIG. 18 is a right side view thereof;
FIG. 19 is a left side view thereof;
FIG. 20 is a top view thereof; and,
FIG. 21 is a bottom view thereof.

The broken line showing of a shoe is for the purpose of illustrating portions of the article and forms no part of the claimed design.

1 Claim, 18 Drawing Sheets



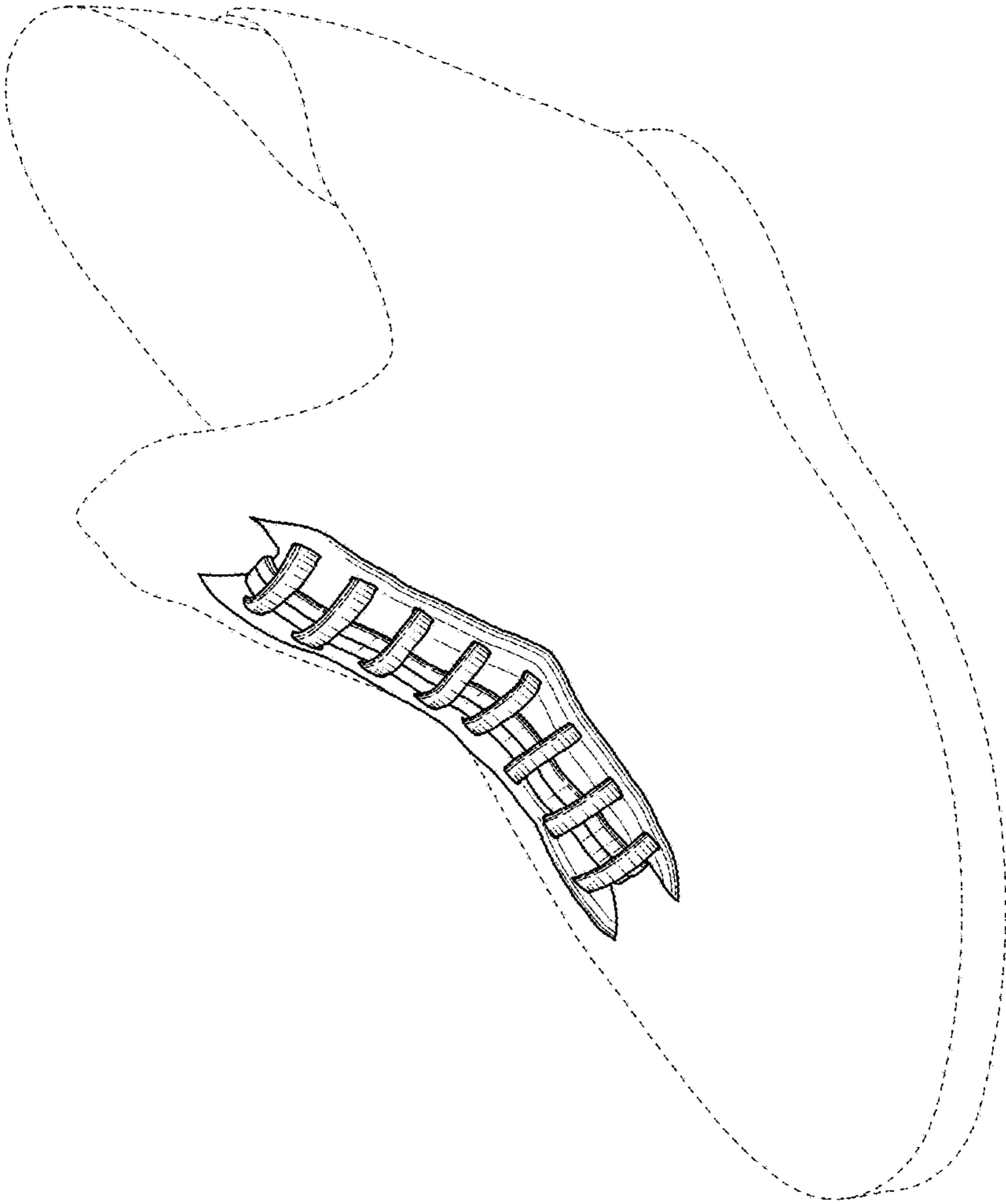


FIG. 1

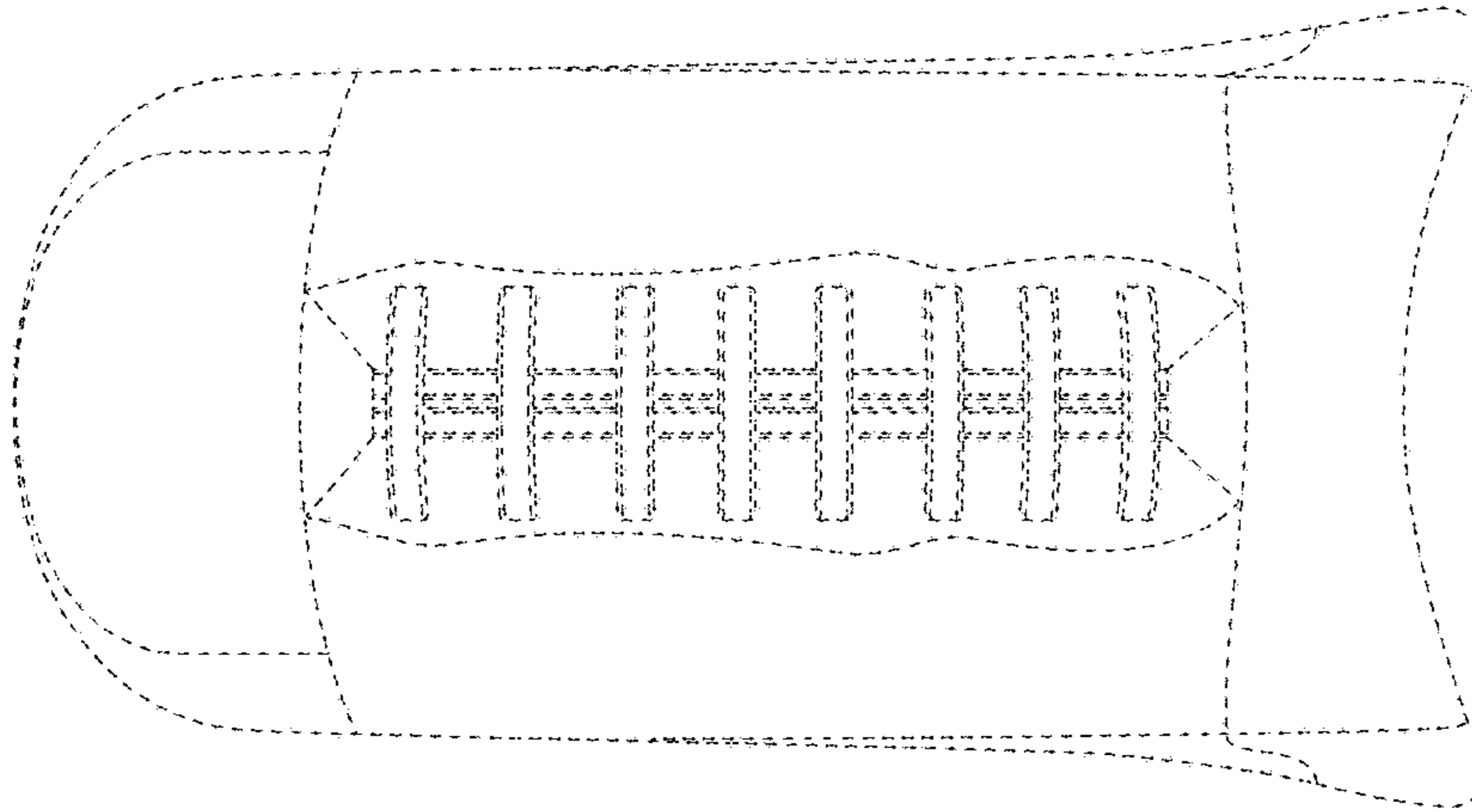


FIG. 3

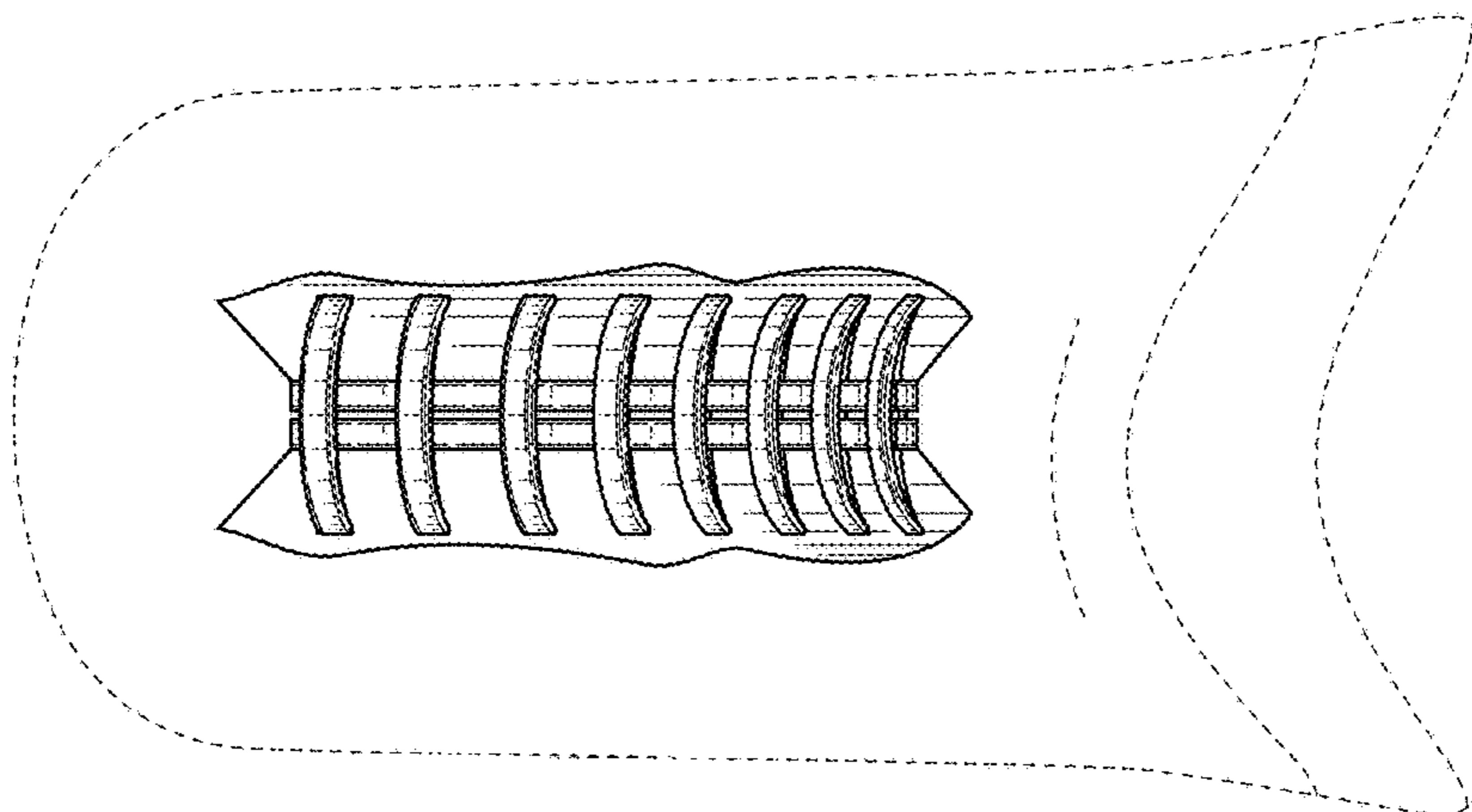


FIG. 2

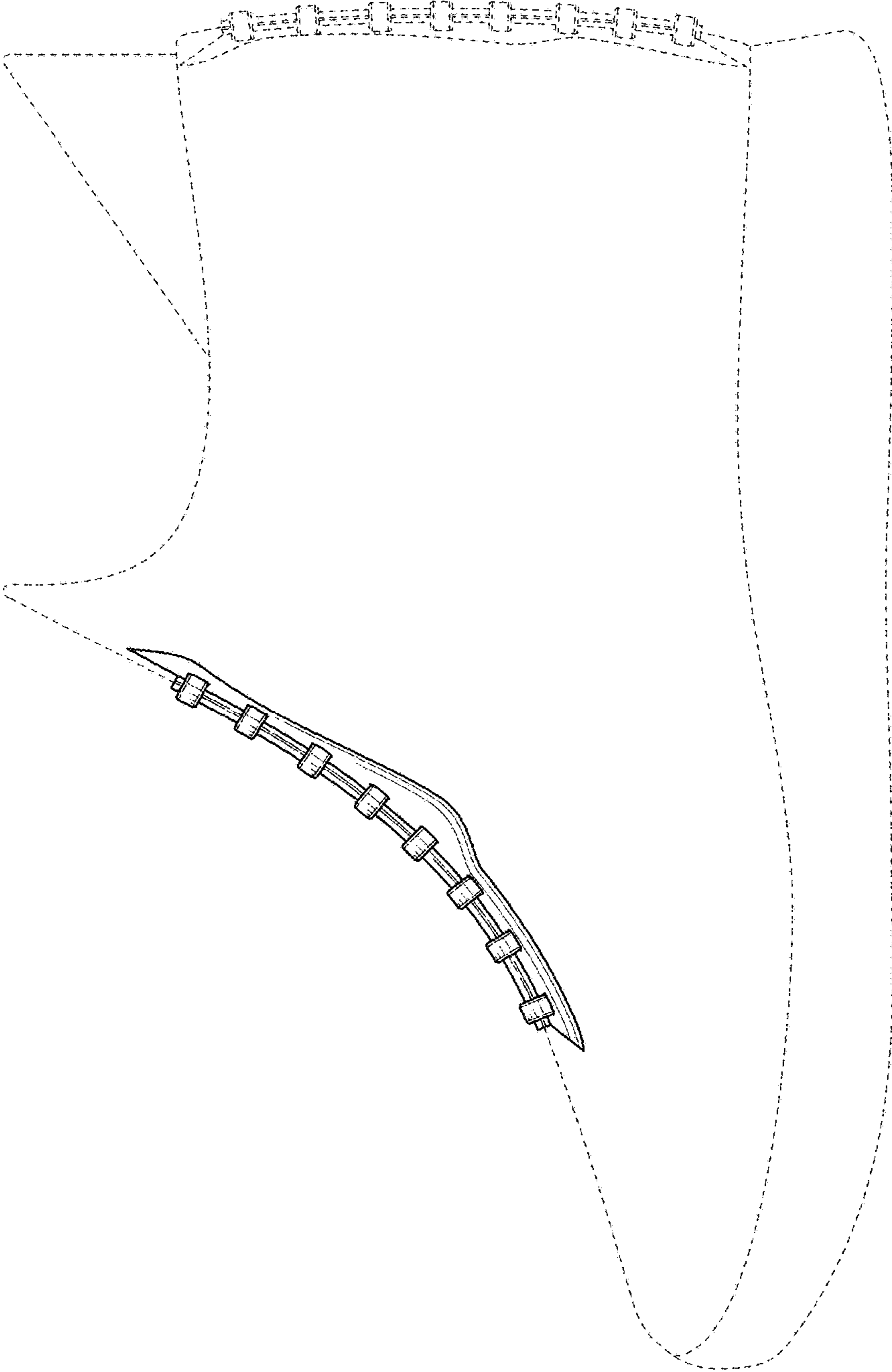


FIG. 4

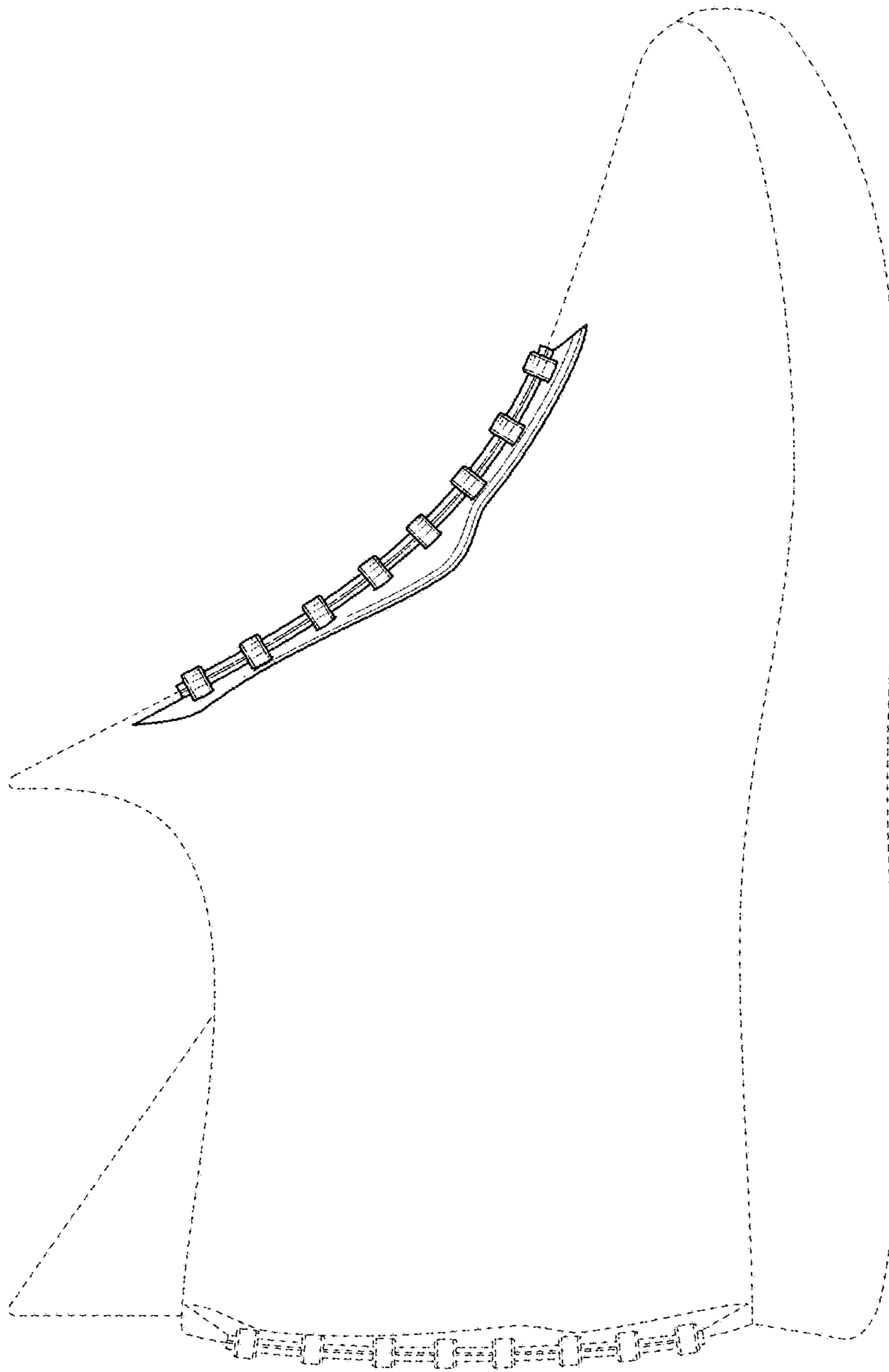


FIG. 5

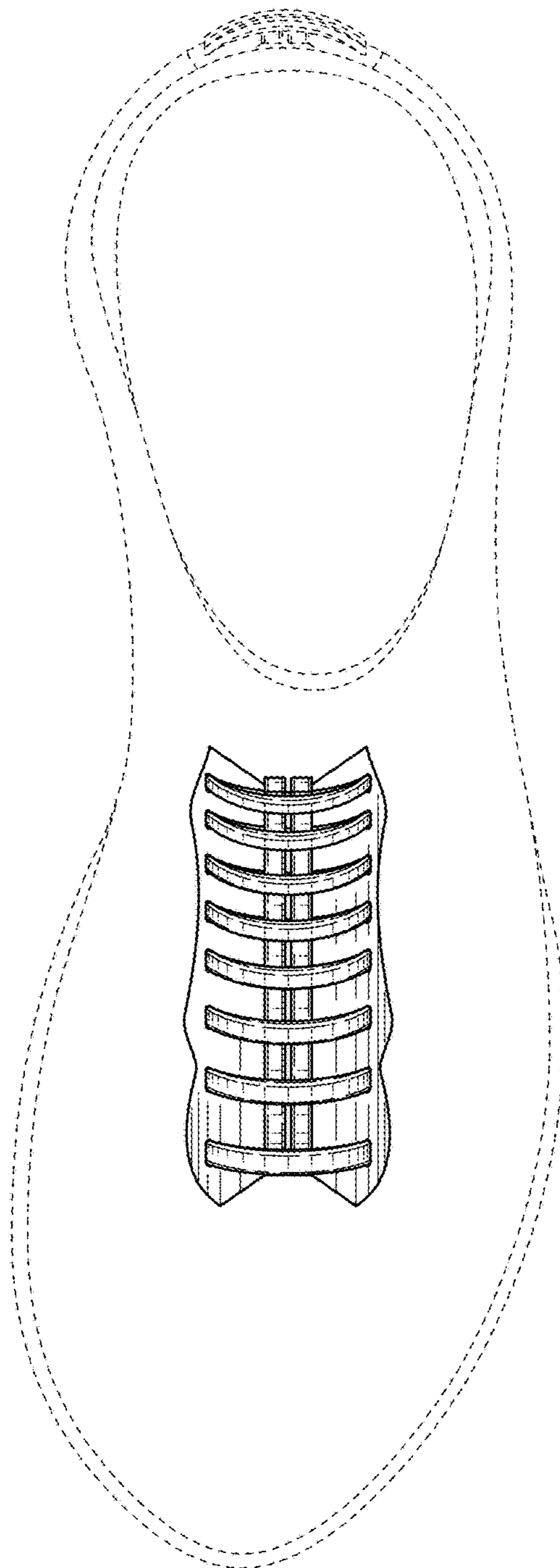


FIG. 6

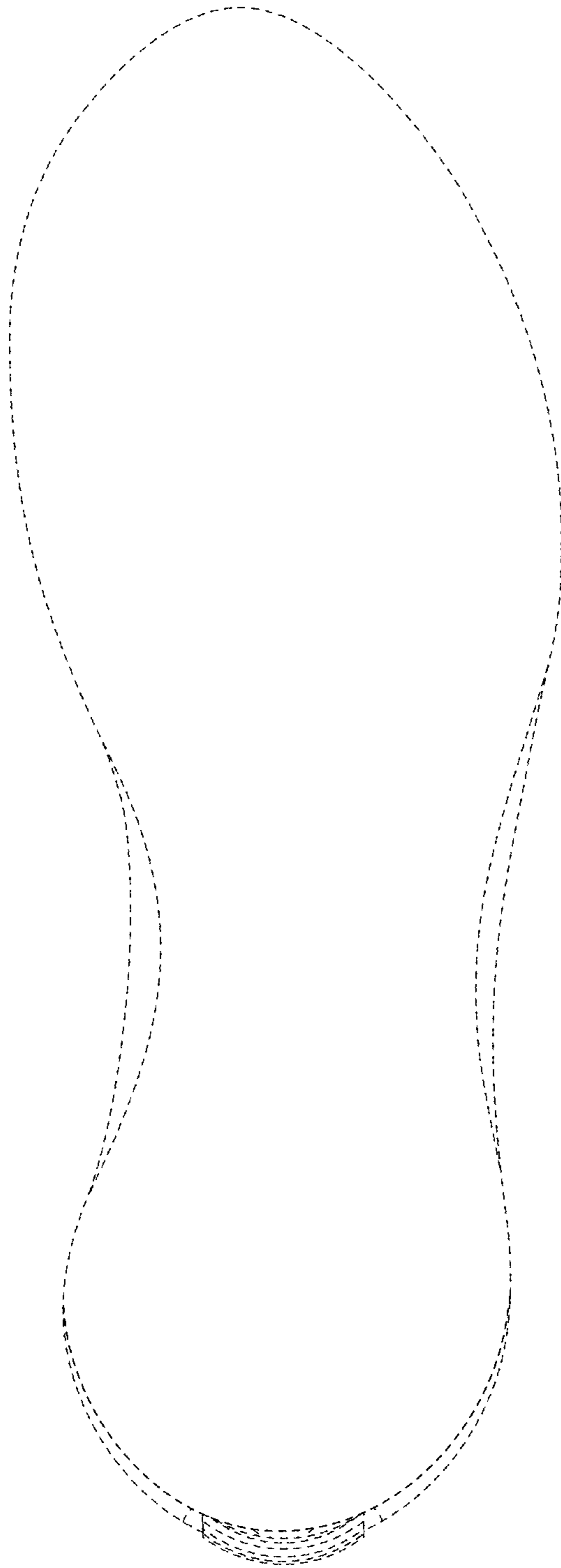


FIG. 7

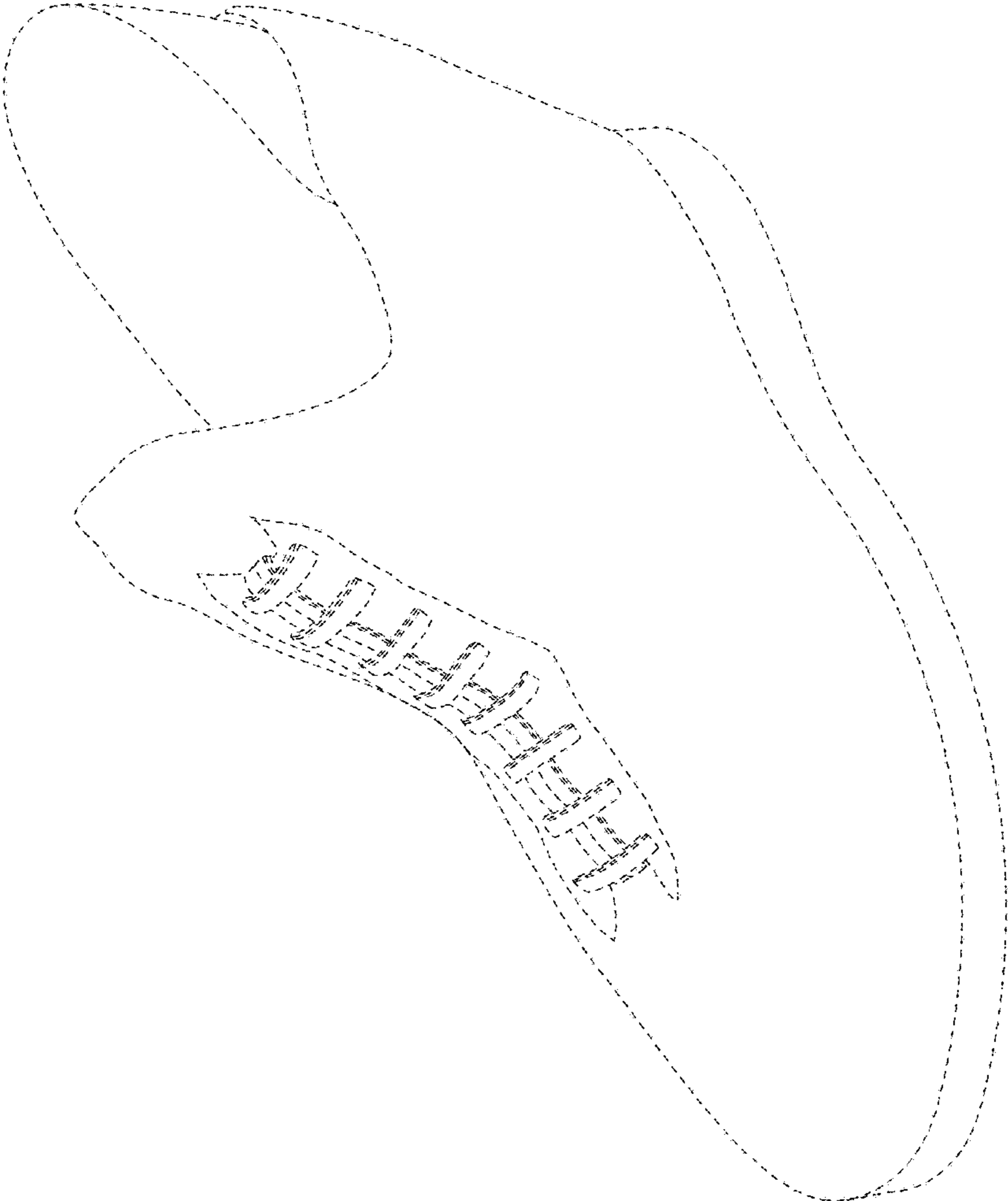


FIG. 8

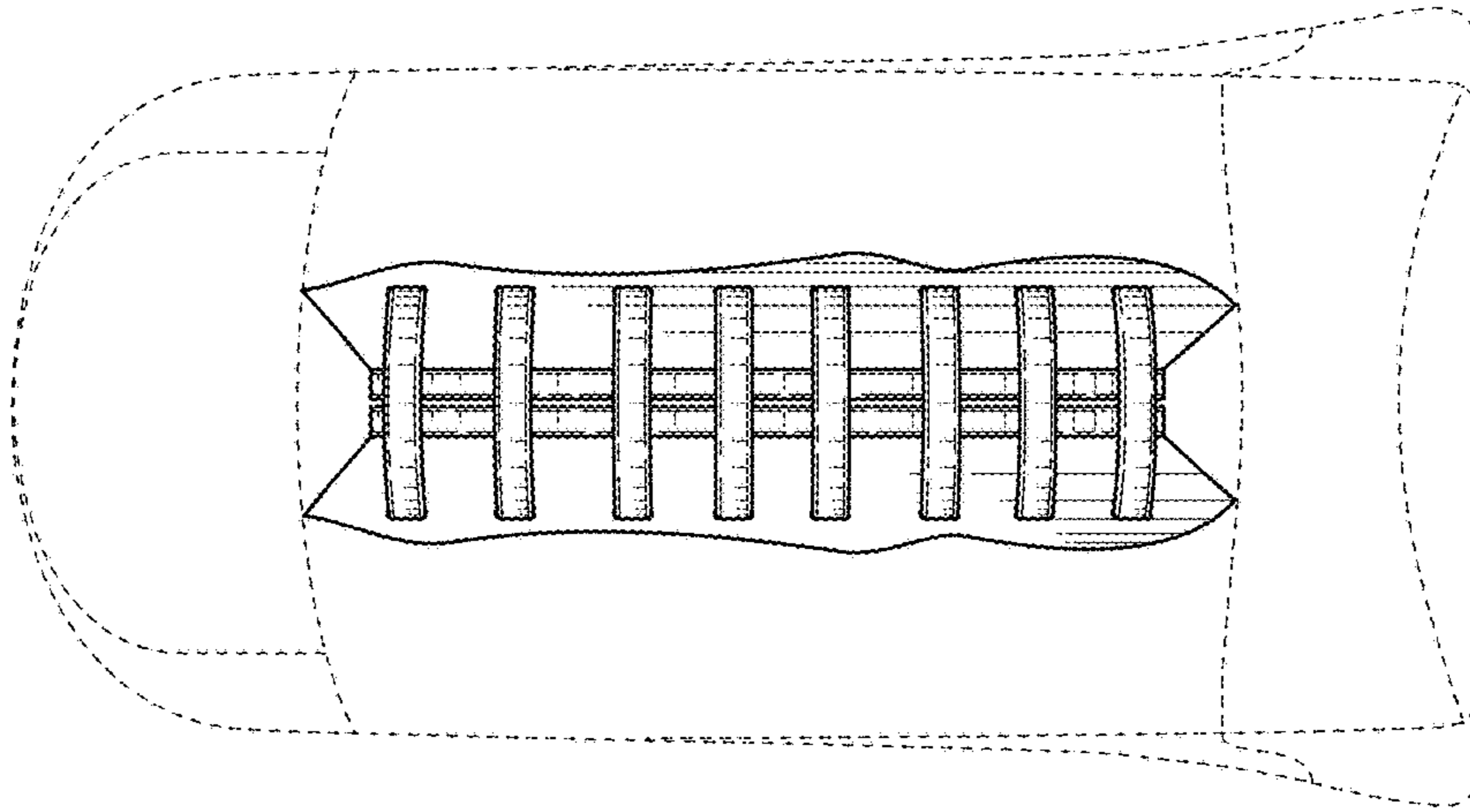


FIG. 10

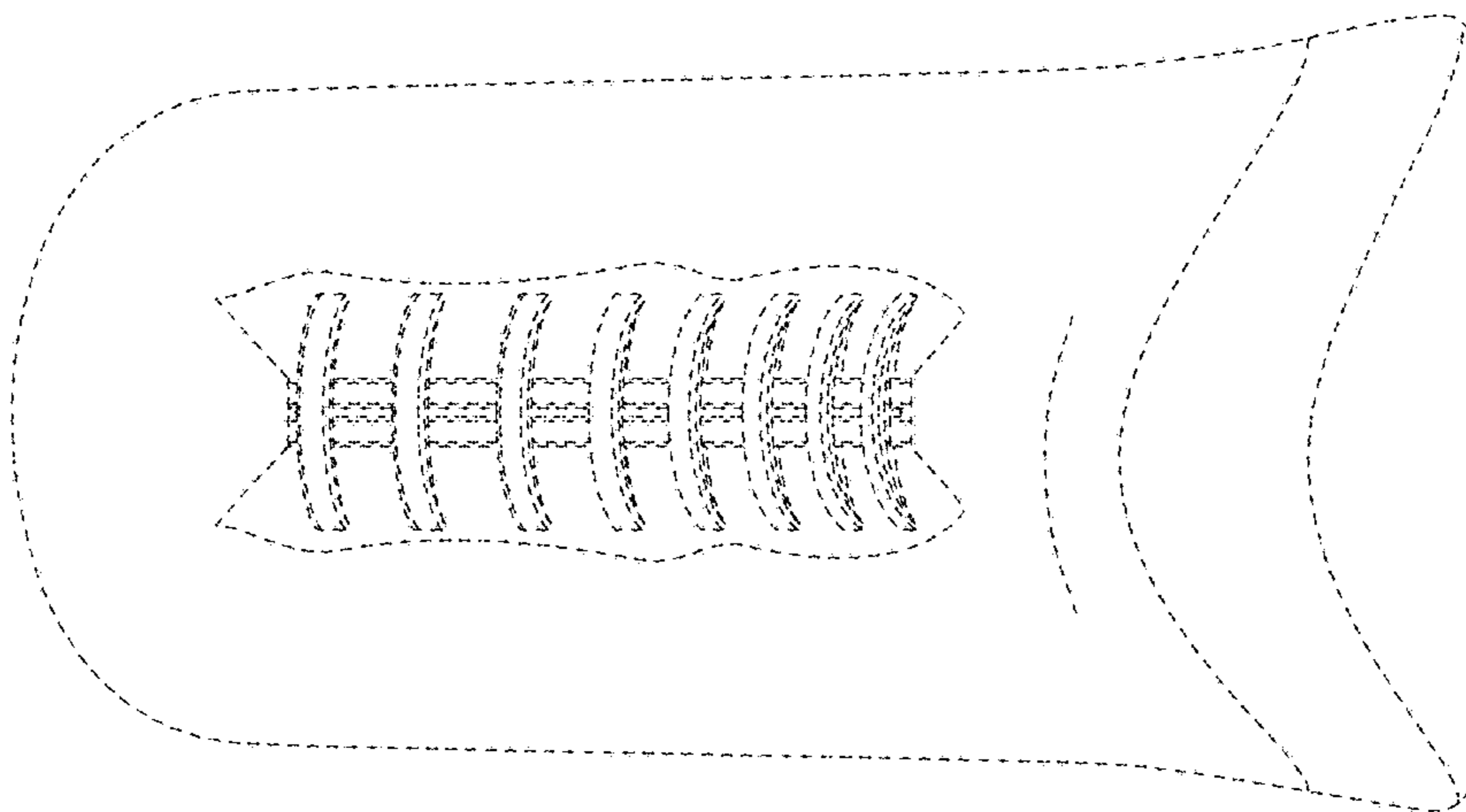


FIG. 9



FIG. 11

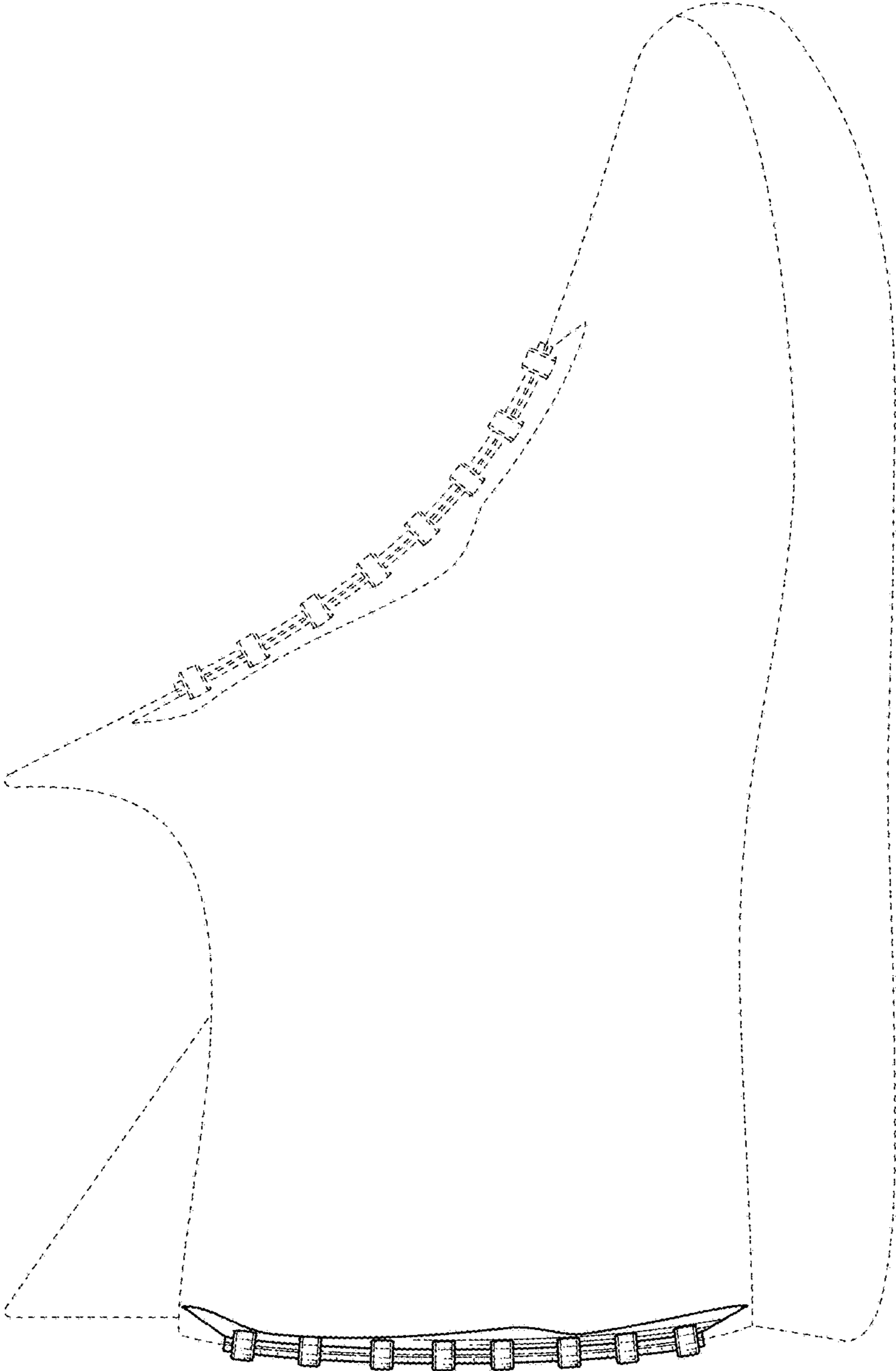


FIG. 12

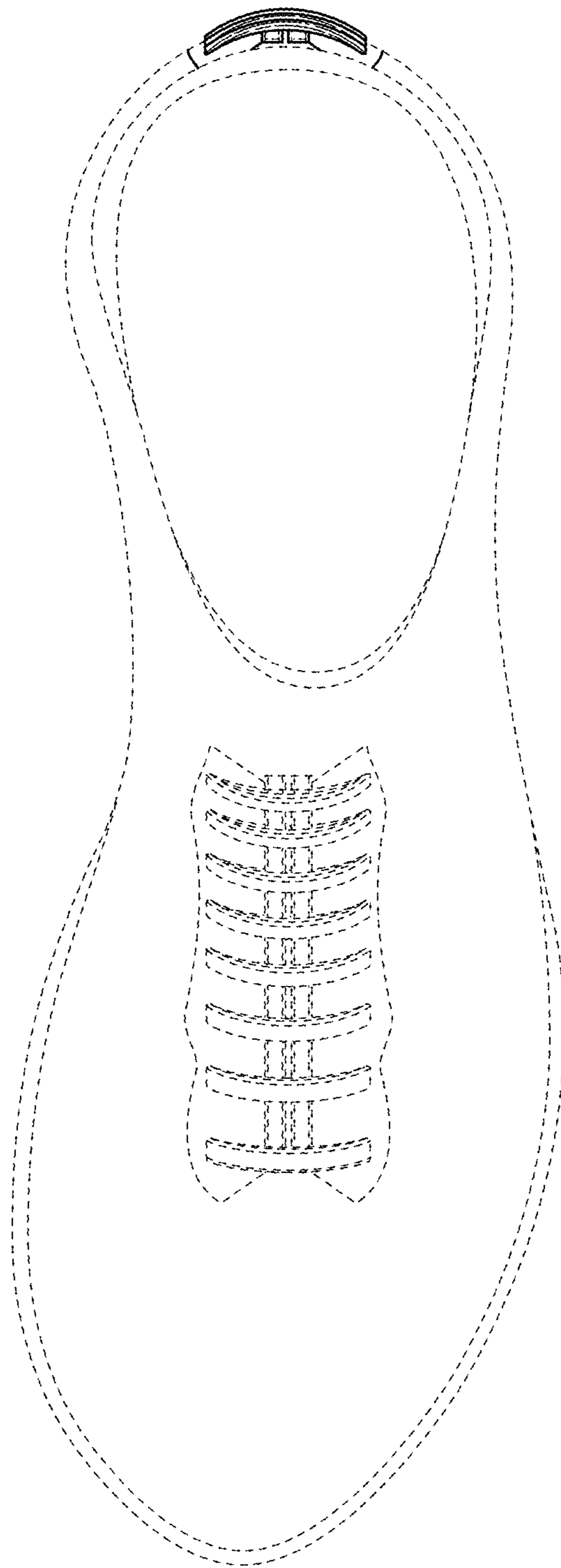


FIG. 13

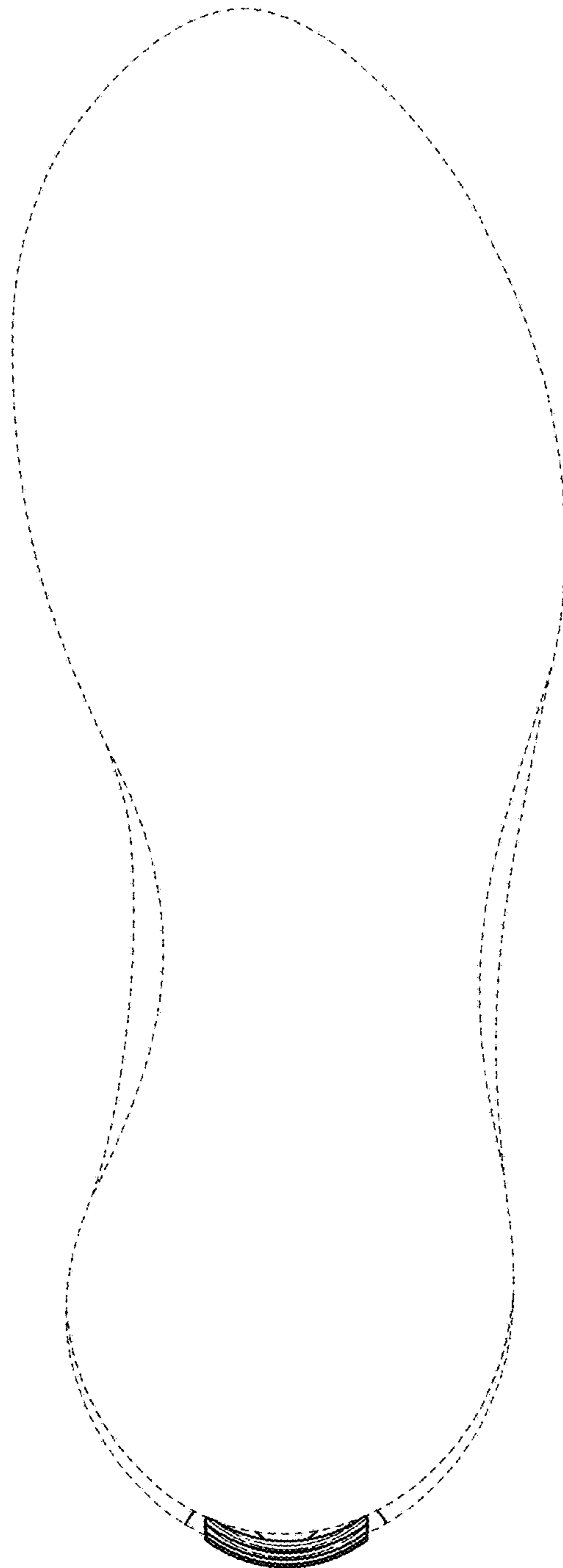


FIG. 14

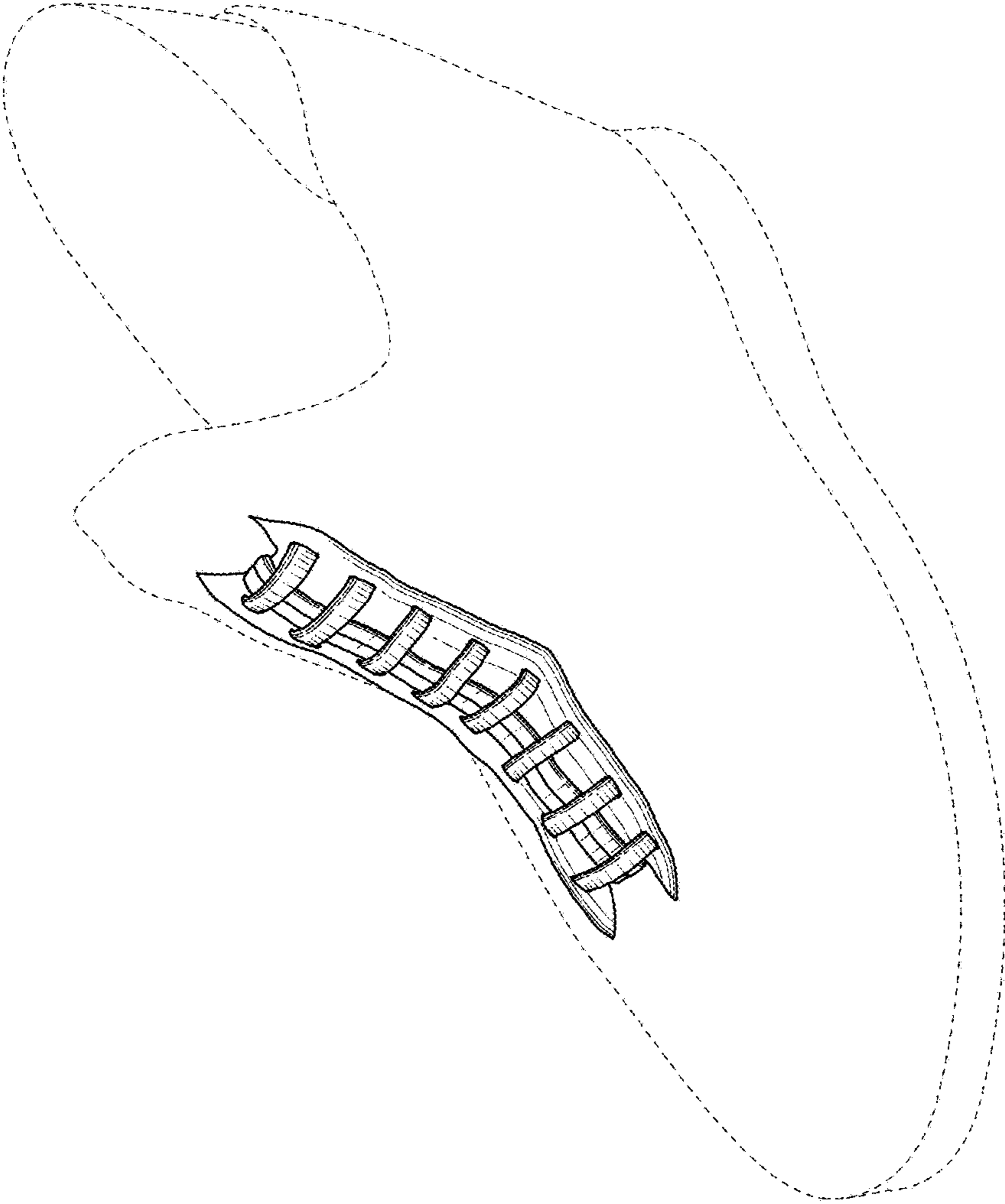


FIG. 15

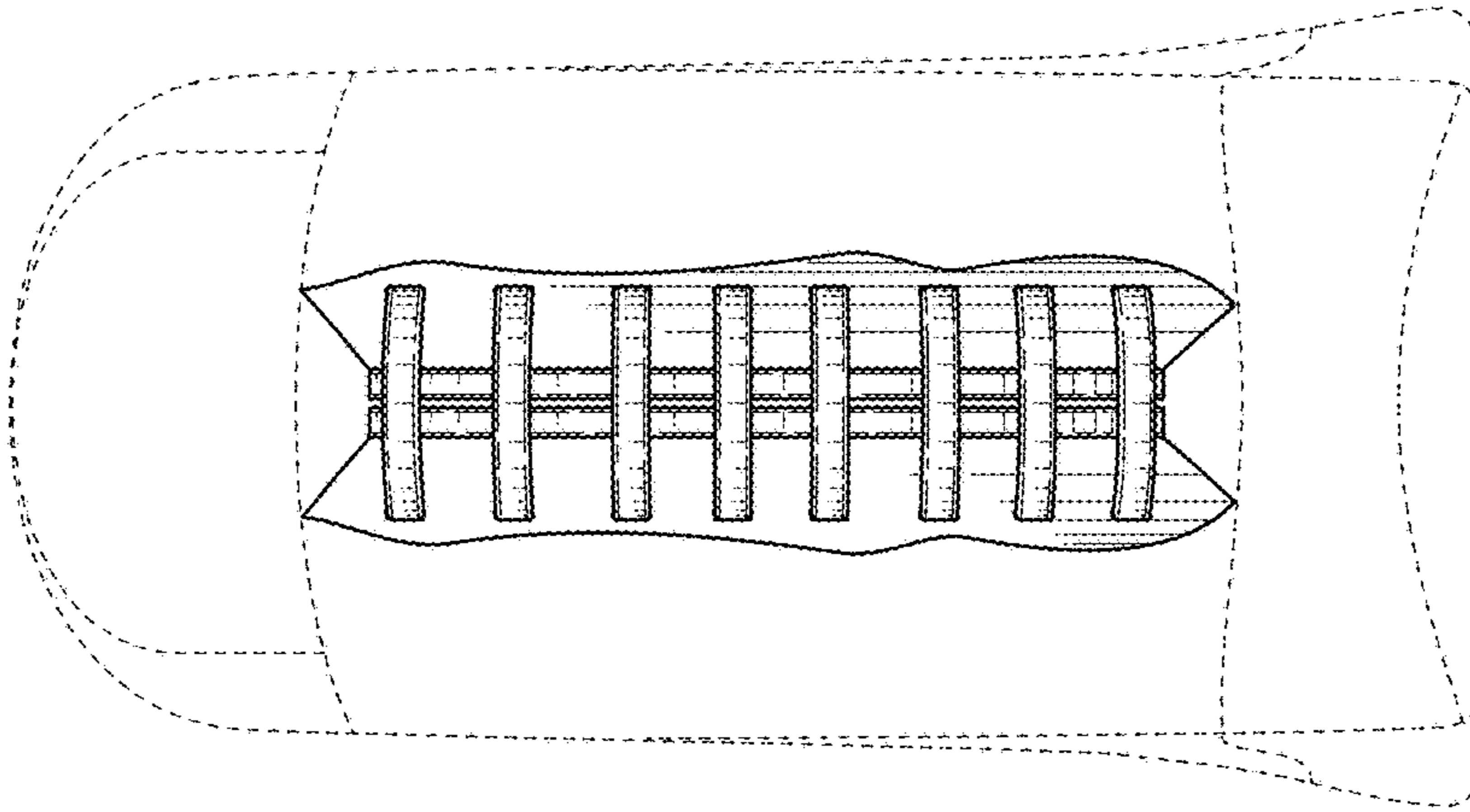


FIG. 17

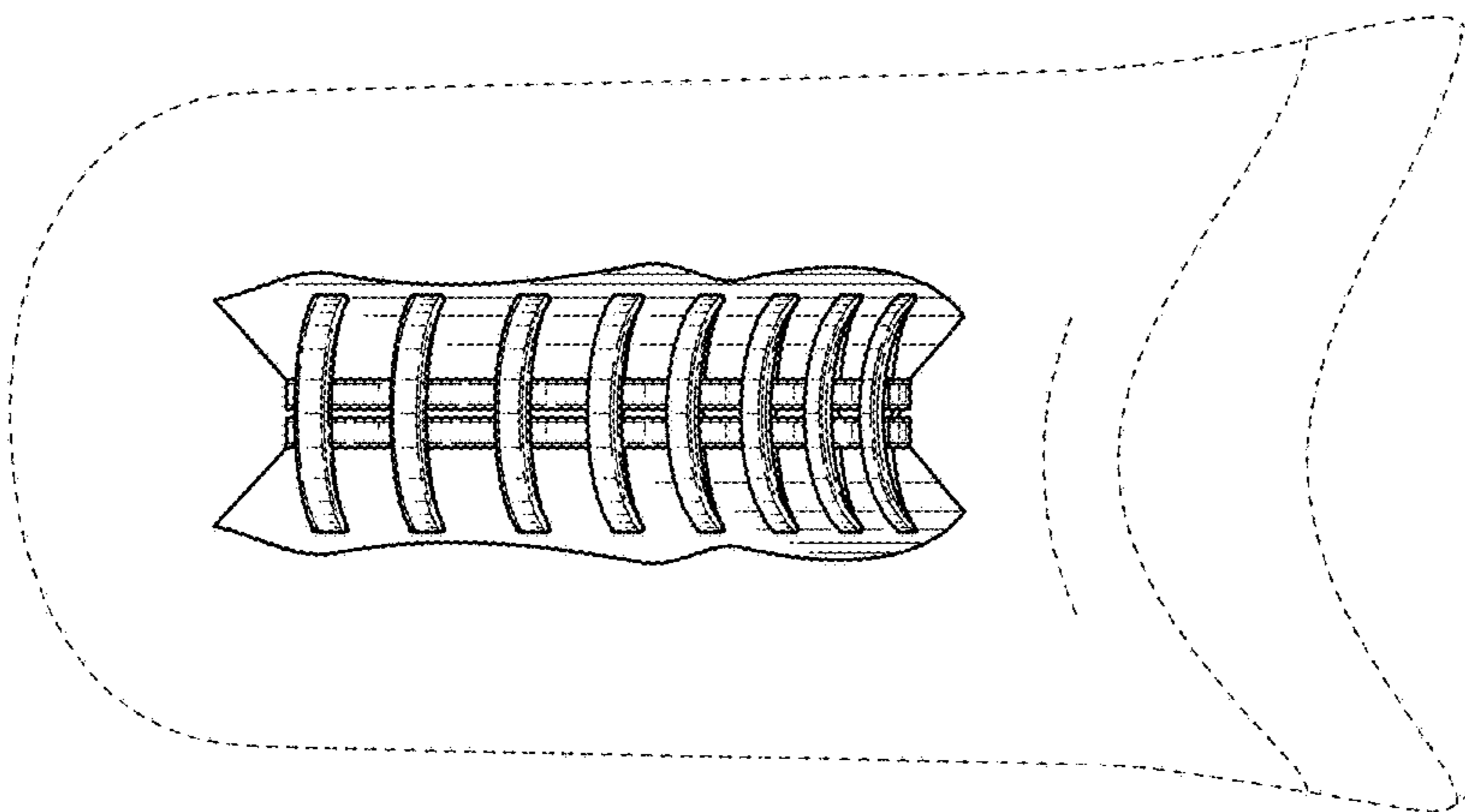


FIG. 16

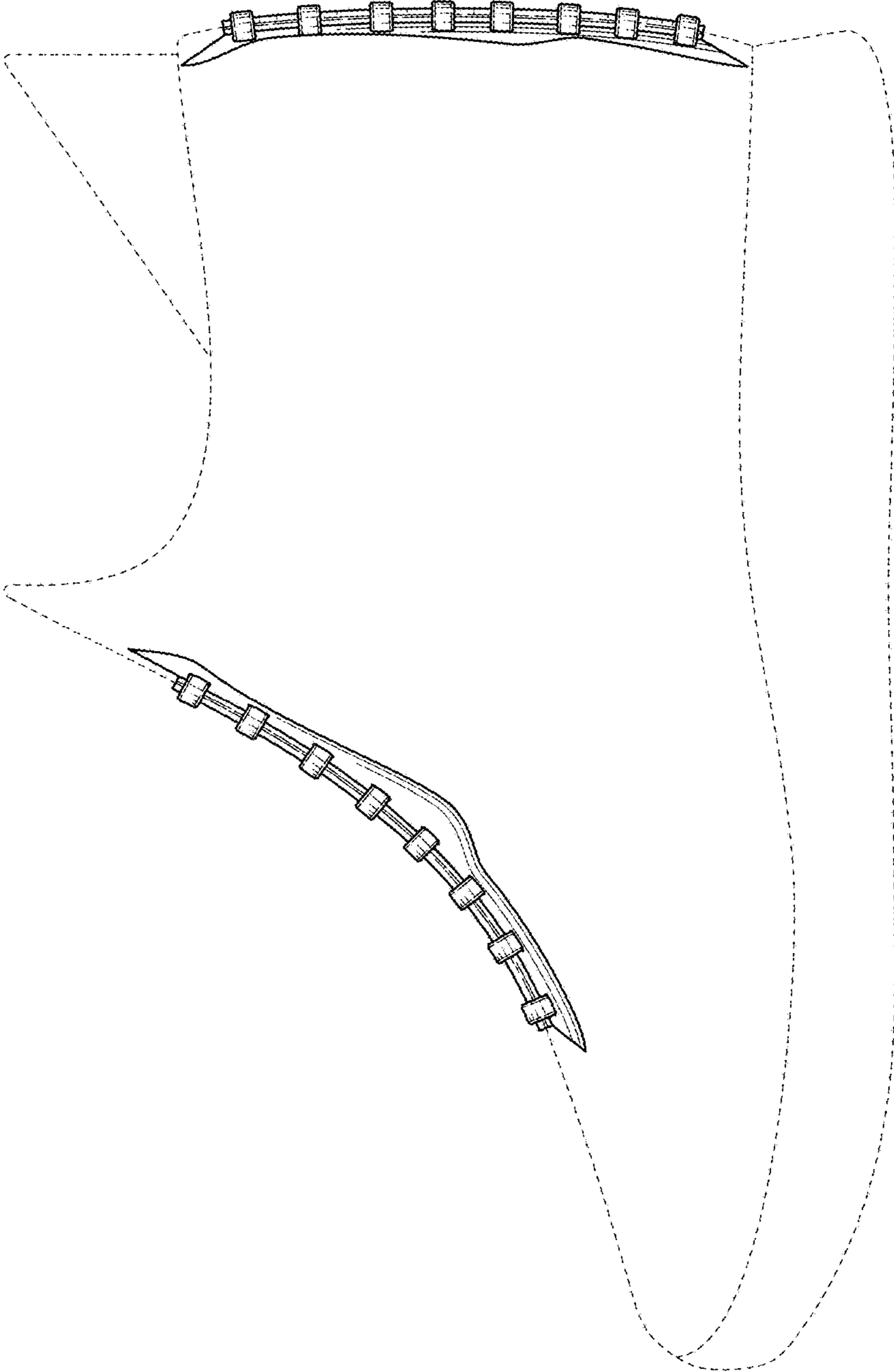


FIG. 18

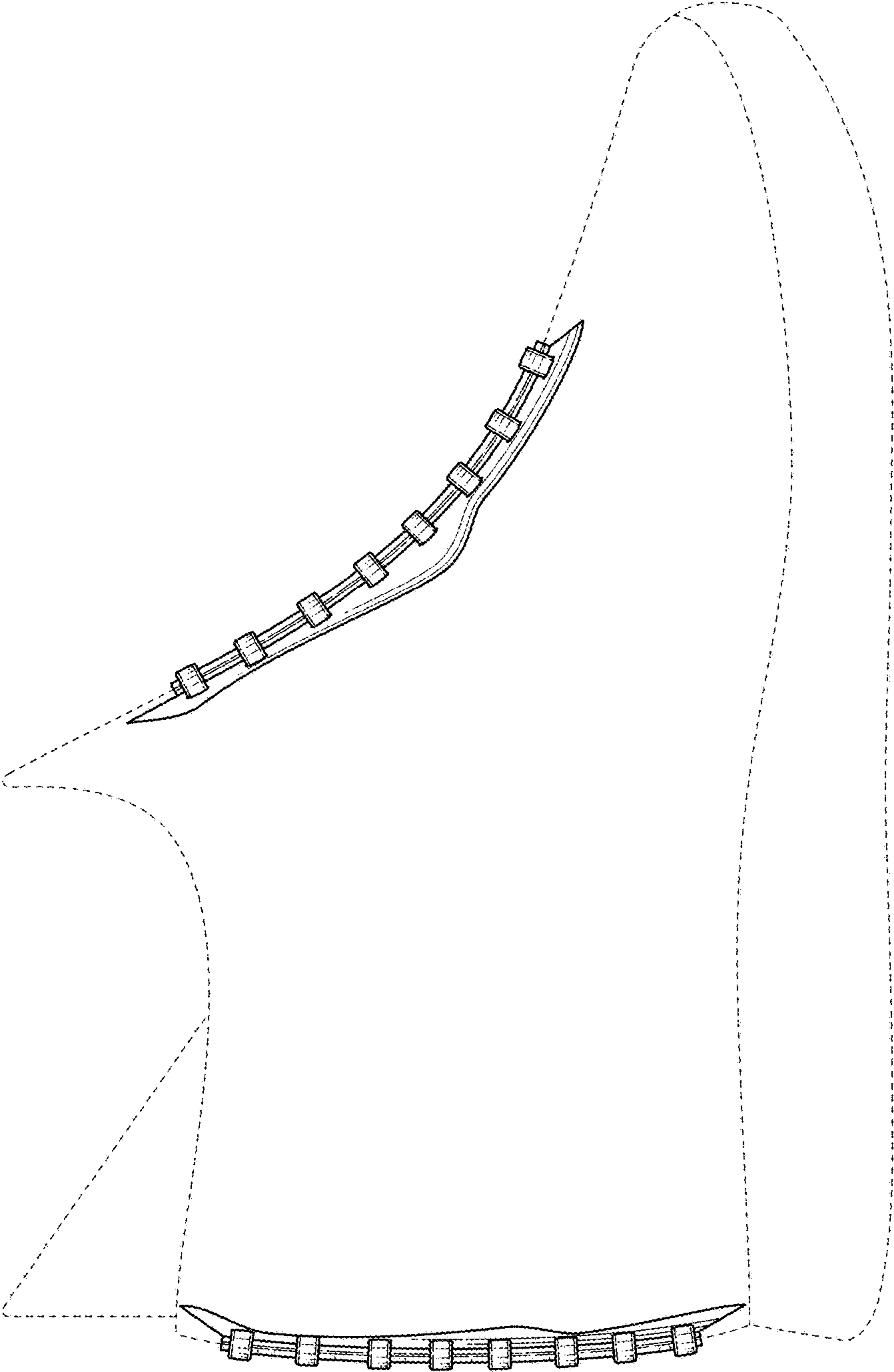


FIG. 19

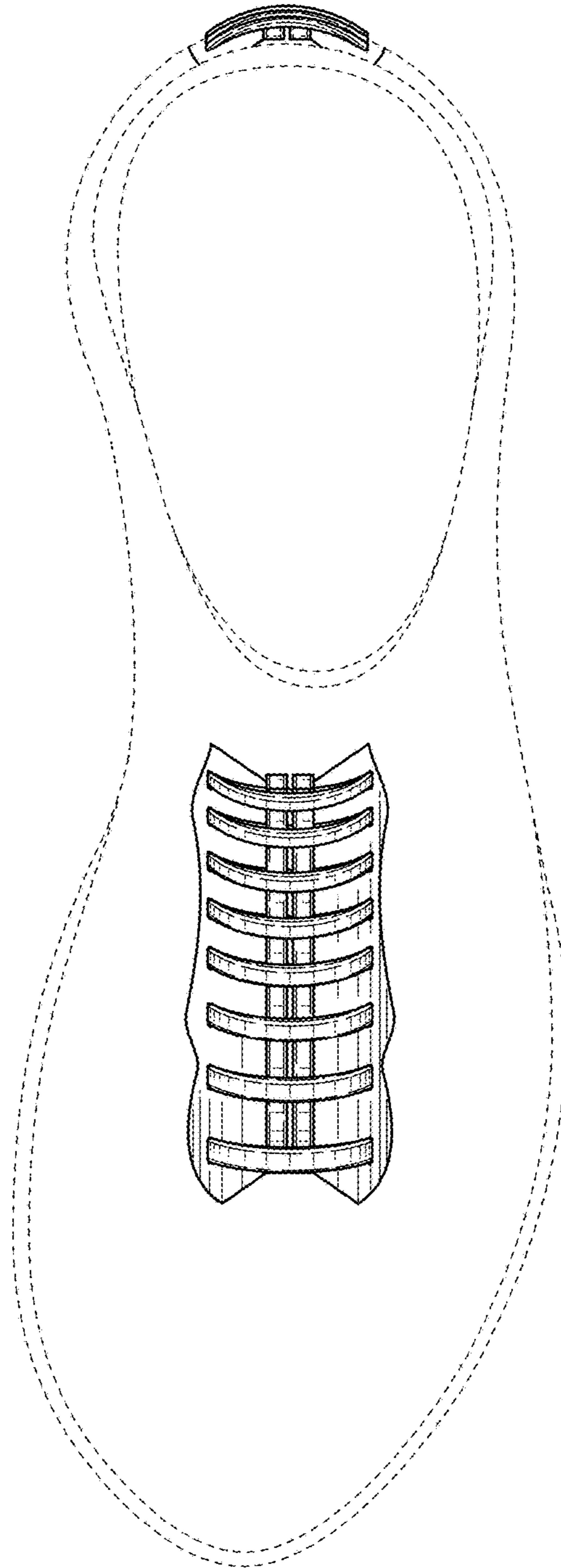


FIG. 20

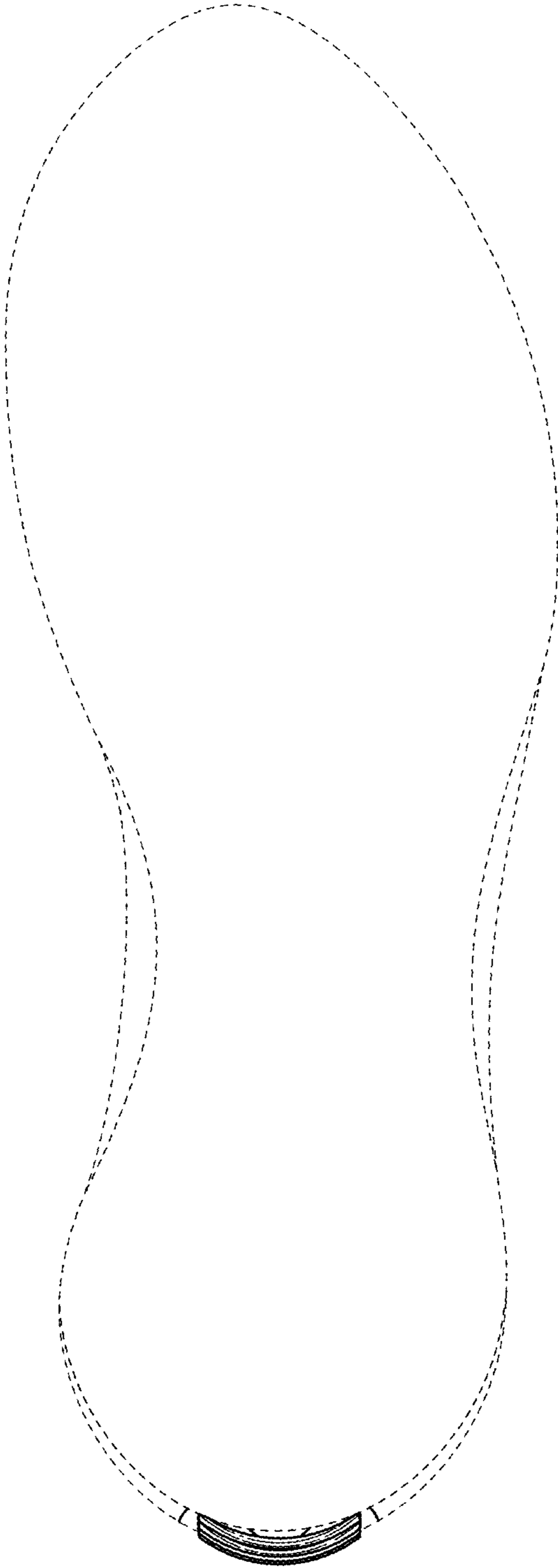


FIG. 21