



US00D805272S

(12) **United States Design Patent**  
**Wiggins**

(10) **Patent No.:** **US D805,272 S**

(45) **Date of Patent:** **\*\* Dec. 19, 2017**

(54) **HEAD WRAP**

(71) Applicant: **Valerie L. Wiggins**, Southfield, MI  
(US)

(72) Inventor: **Valerie L. Wiggins**, Southfield, MI  
(US)

(\*\*) Term: **15 Years**

(21) Appl. No.: **29/567,771**

(22) Filed: **Jun. 13, 2016**

(51) **LOC (10) Cl.** ..... **02-03**

(52) **U.S. Cl.**

USPC ..... **D2/875**

(58) **Field of Classification Search**

USPC ..... D2/500, 502, 600, 865, 866, 867, 868,  
D2/870, 873, 878, 879, 880, 881, 883,  
D2/891, 893; D29/104, 106, 108, 122  
CPC ..... A41D 23/00; A42B 1/00; A42B 1/006;  
A42B 1/008; A42B 1/02; A42B 1/04;  
A42B 1/046; A42B 1/06; A42B 1/061;  
A42B 1/064; A42B 1/066; A42B 1/067;  
A42B 1/08; A42B 1/18; A42B 5/00;  
A42C 5/00; A42C 5/04

See application file for complete search history.

(56) **References Cited**

**U.S. PATENT DOCUMENTS**

D203,329 S \* 12/1965 Fitchko ..... D29/106  
D277,139 S \* 1/1985 DeFalco ..... D2/880  
5,007,115 A \* 4/1991 Denbow ..... A42B 1/046  
2/202  
D488,613 S \* 4/2004 Easlick ..... D2/600

D517,780 S \* 3/2006 Kim ..... D2/880  
D639,017 S \* 6/2011 Saito ..... D2/600  
D644,002 S \* 8/2011 Saito ..... D2/600  
D653,017 S \* 1/2012 Hamlin ..... D11/200  
D656,706 S \* 4/2012 I ..... D2/500  
D699,018 S \* 2/2014 Shehadeh ..... D2/600  
D711,599 S \* 8/2014 Mahsetky ..... D2/500  
D723,245 S \* 3/2015 Womack ..... D2/600  
D724,820 S \* 3/2015 Wall ..... D2/854

\* cited by examiner

*Primary Examiner* — Karen E. Eldridge Powers

*Assistant Examiner* — Jasmine Mlinarcik

(74) *Attorney, Agent, or Firm* — John R Benefiel

(57) **CLAIM**

The ornamental design for a head wrap, as shown and described.

**DESCRIPTION**

FIG. 1 is a perspective view of a head wrap.

FIG. 2 is a left side elevational view of a head wrap shown in FIG. 1.

FIG. 3 is a right side elevational view of the head wrap shown in FIGS. 1 and 2.

FIG. 4 is a top plan view of the head wrap shown in FIGS. 1-3.

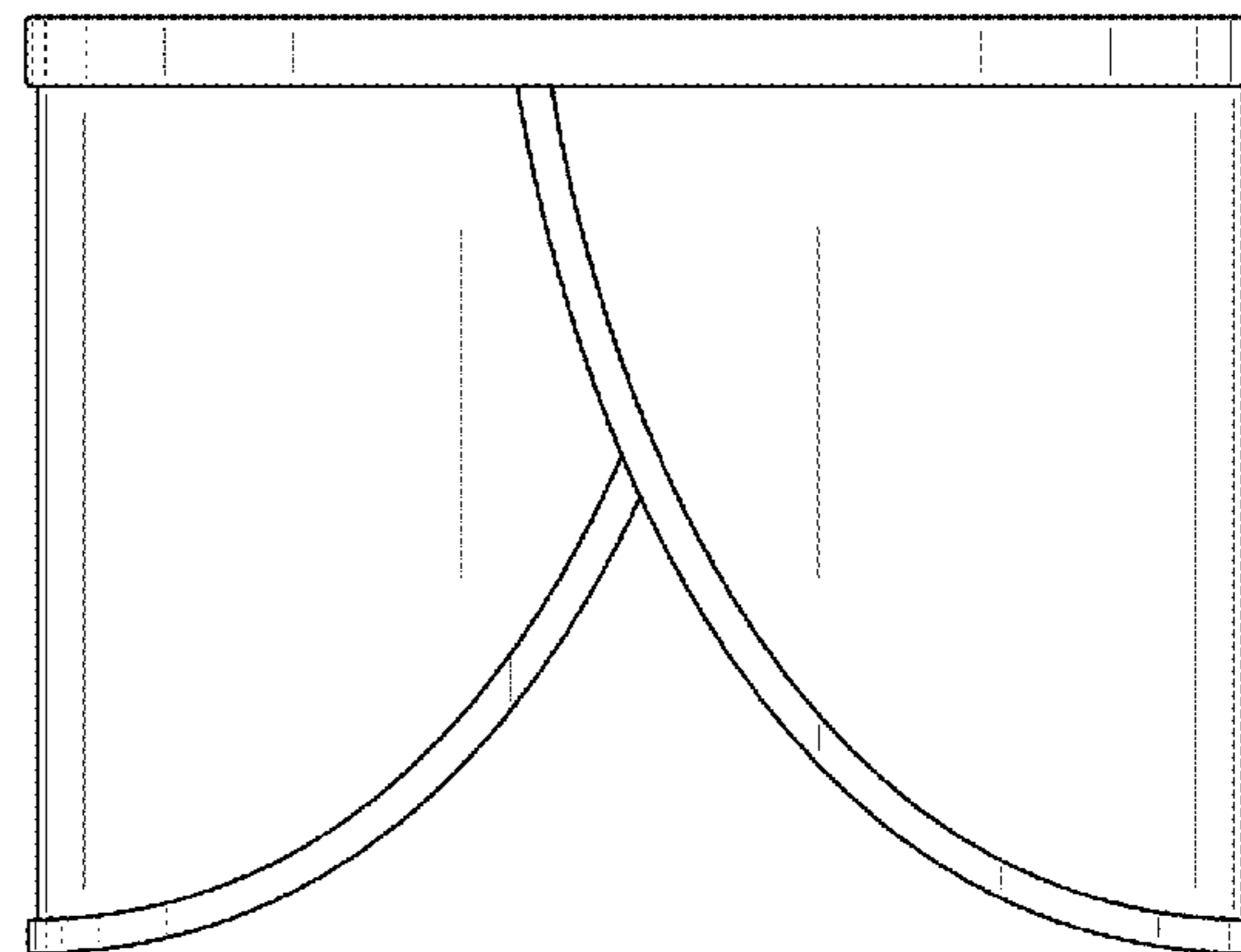
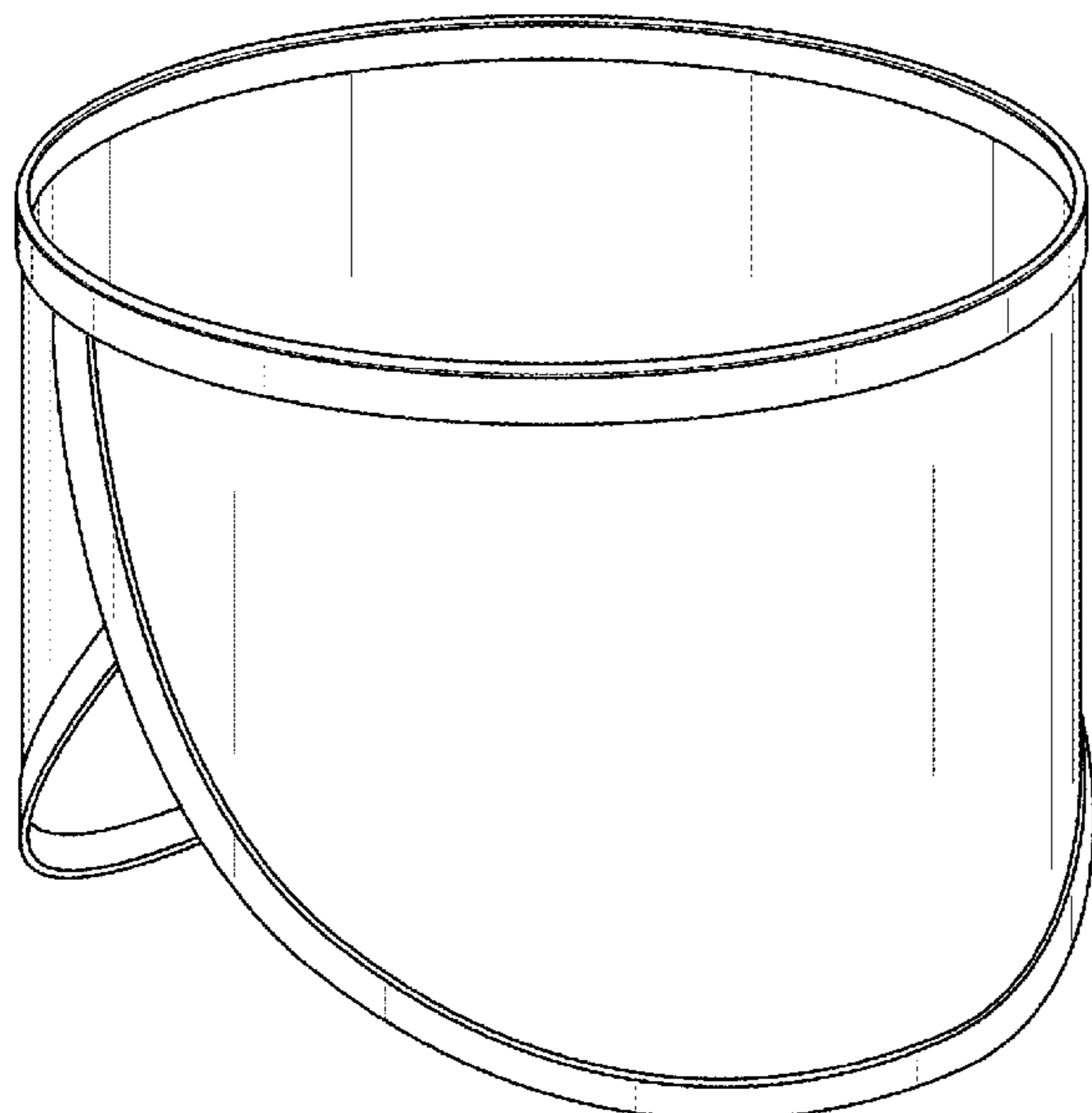
FIG. 5 is a bottom plan view of the head wrap shown in FIGS. 1-4.

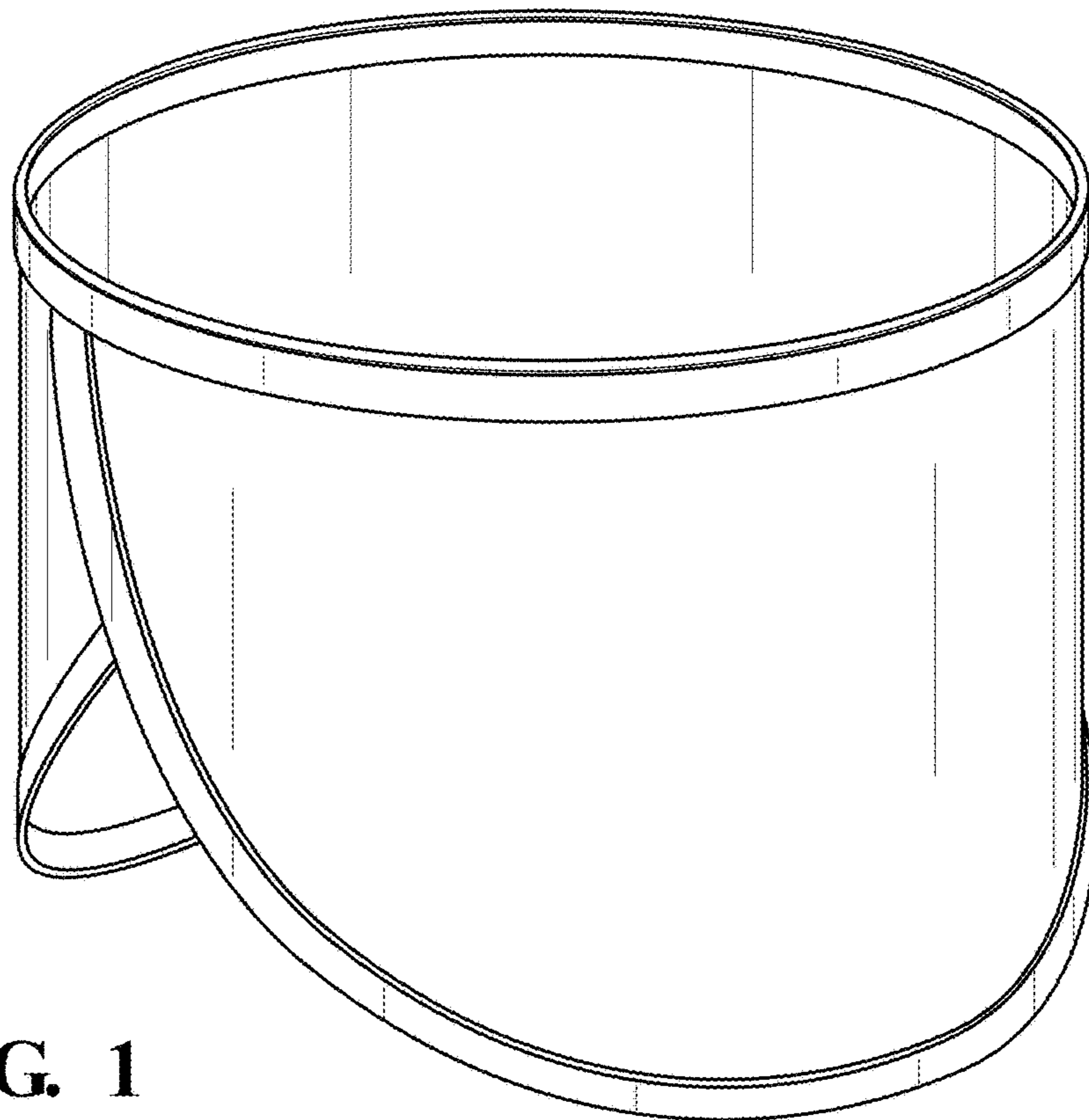
FIG. 6 is a front elevational view of the head wrap shown in FIGS. 1-5.

FIG. 7 is a rear elevational view of the head wrap shown in FIGS. 1-6; and,

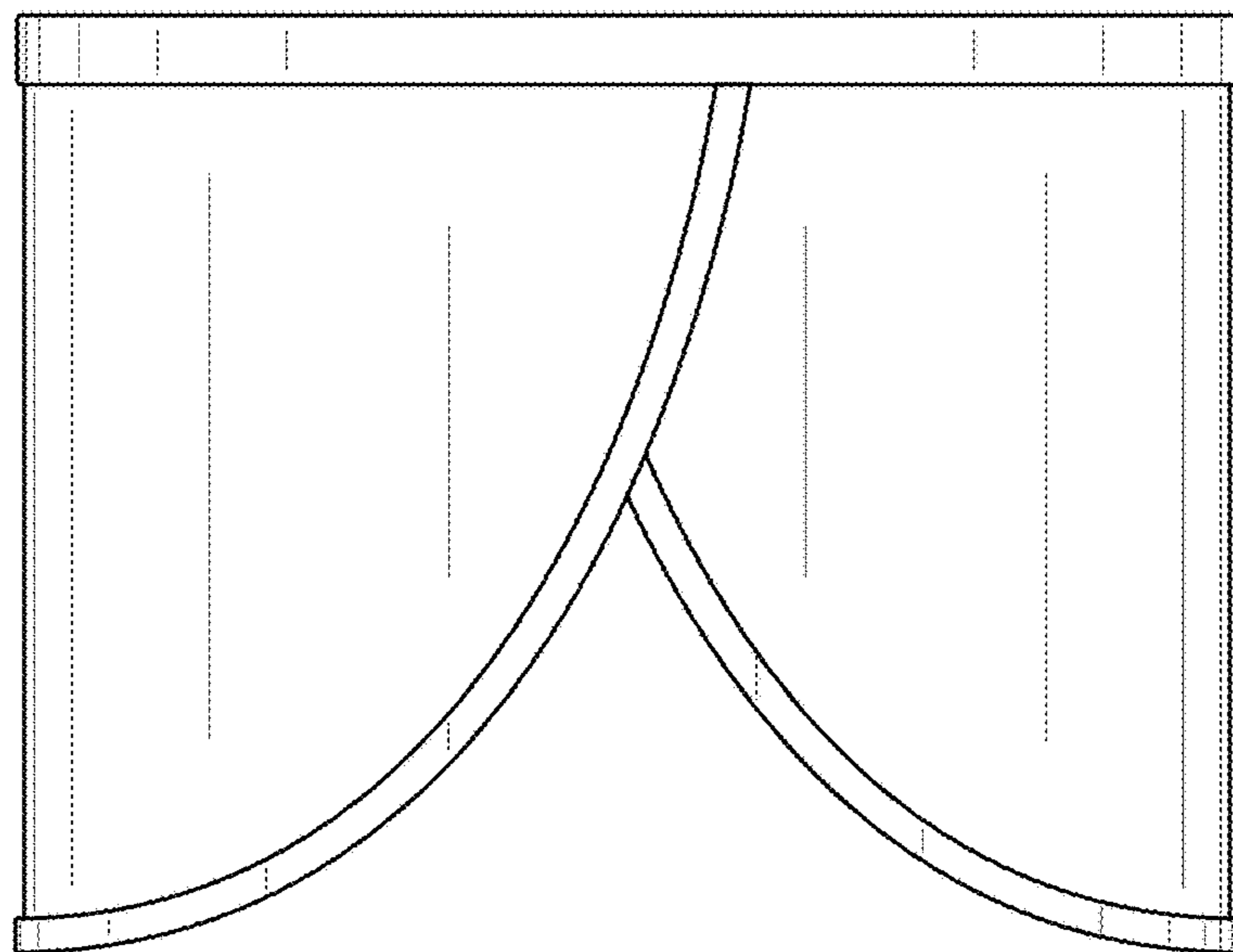
FIG. 8 is a perspective view of the head wrap shown in FIGS. 1-7 with the front portion folded up to form a rim.

**1 Claim, 4 Drawing Sheets**

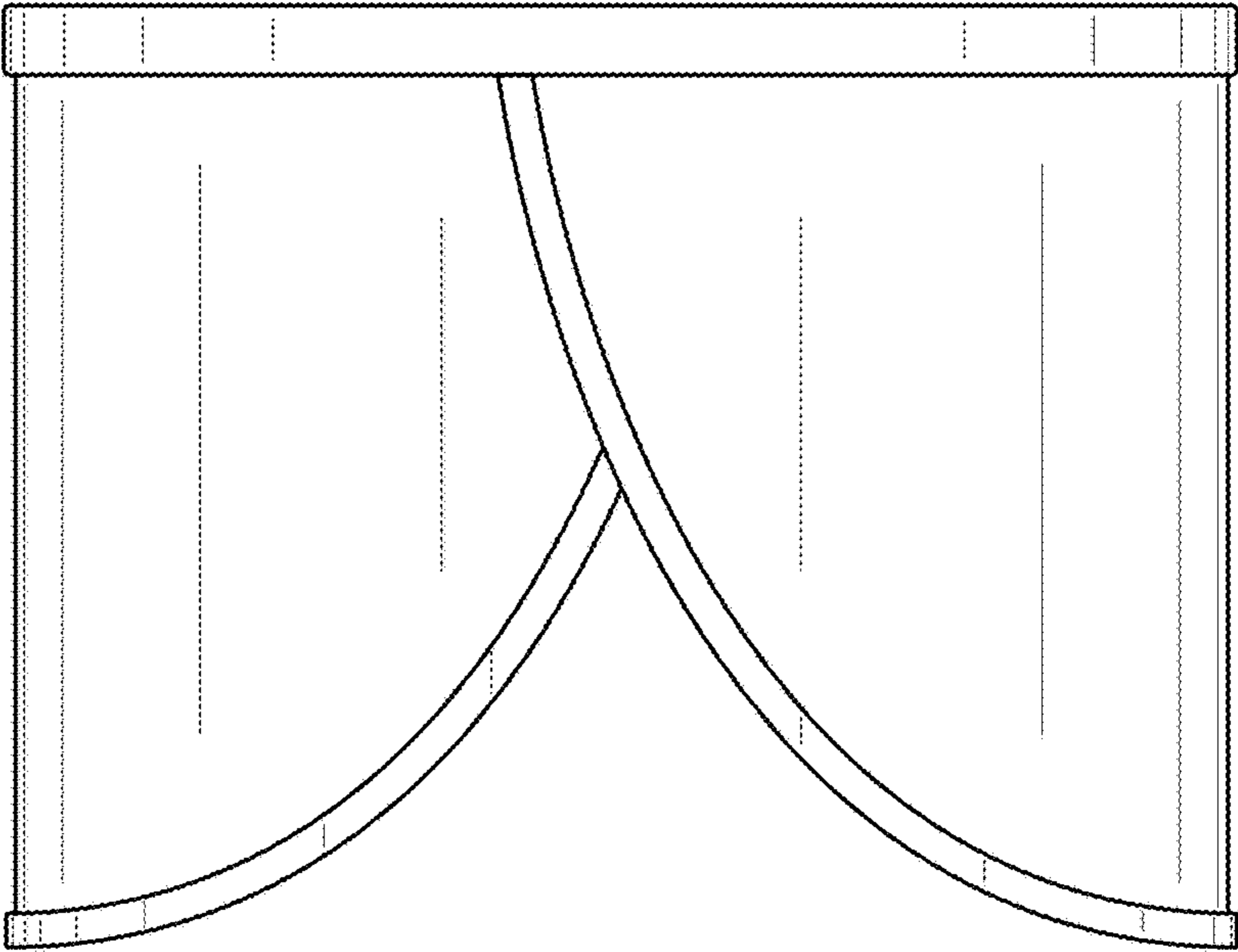




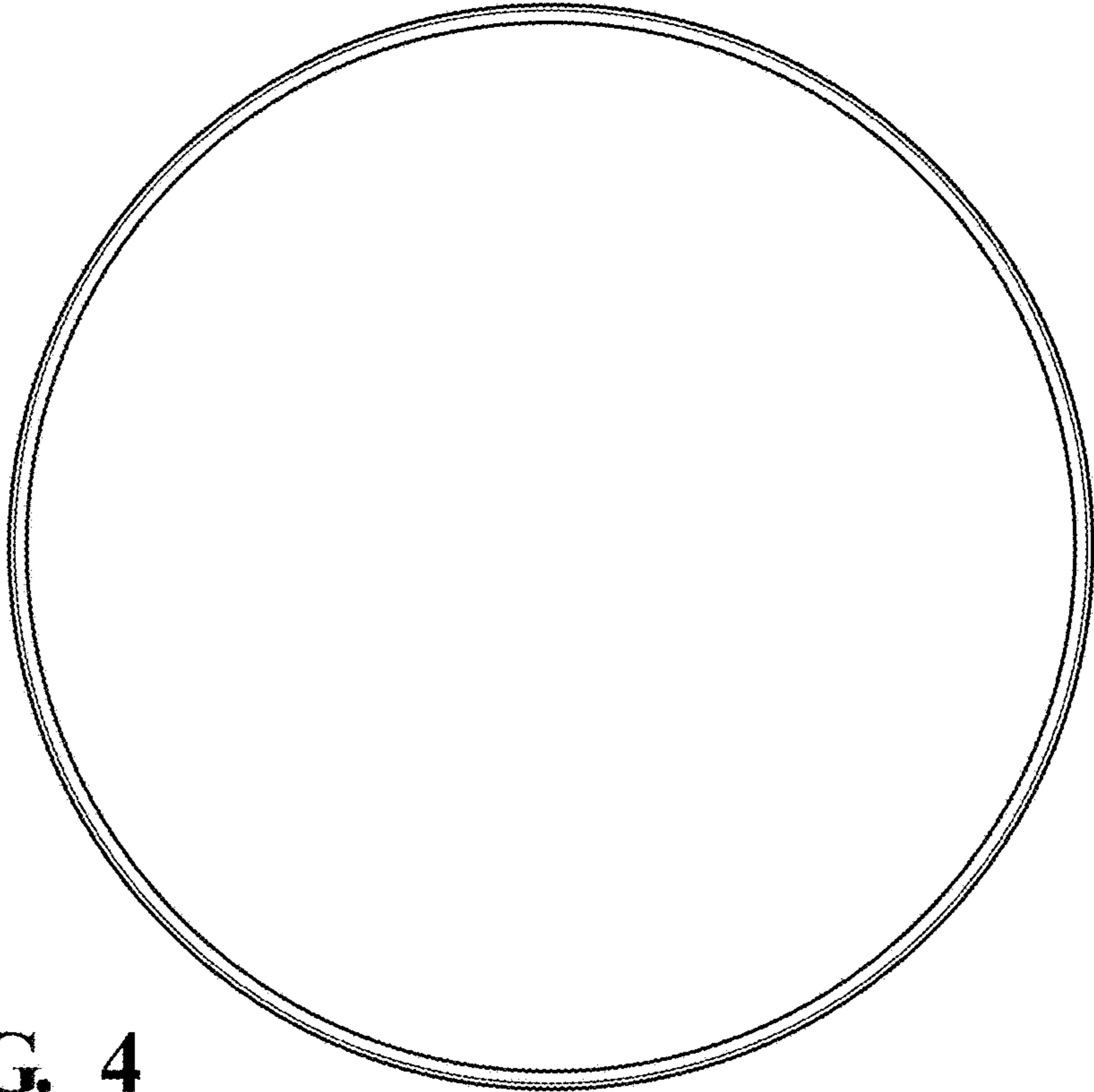
**FIG. 1**



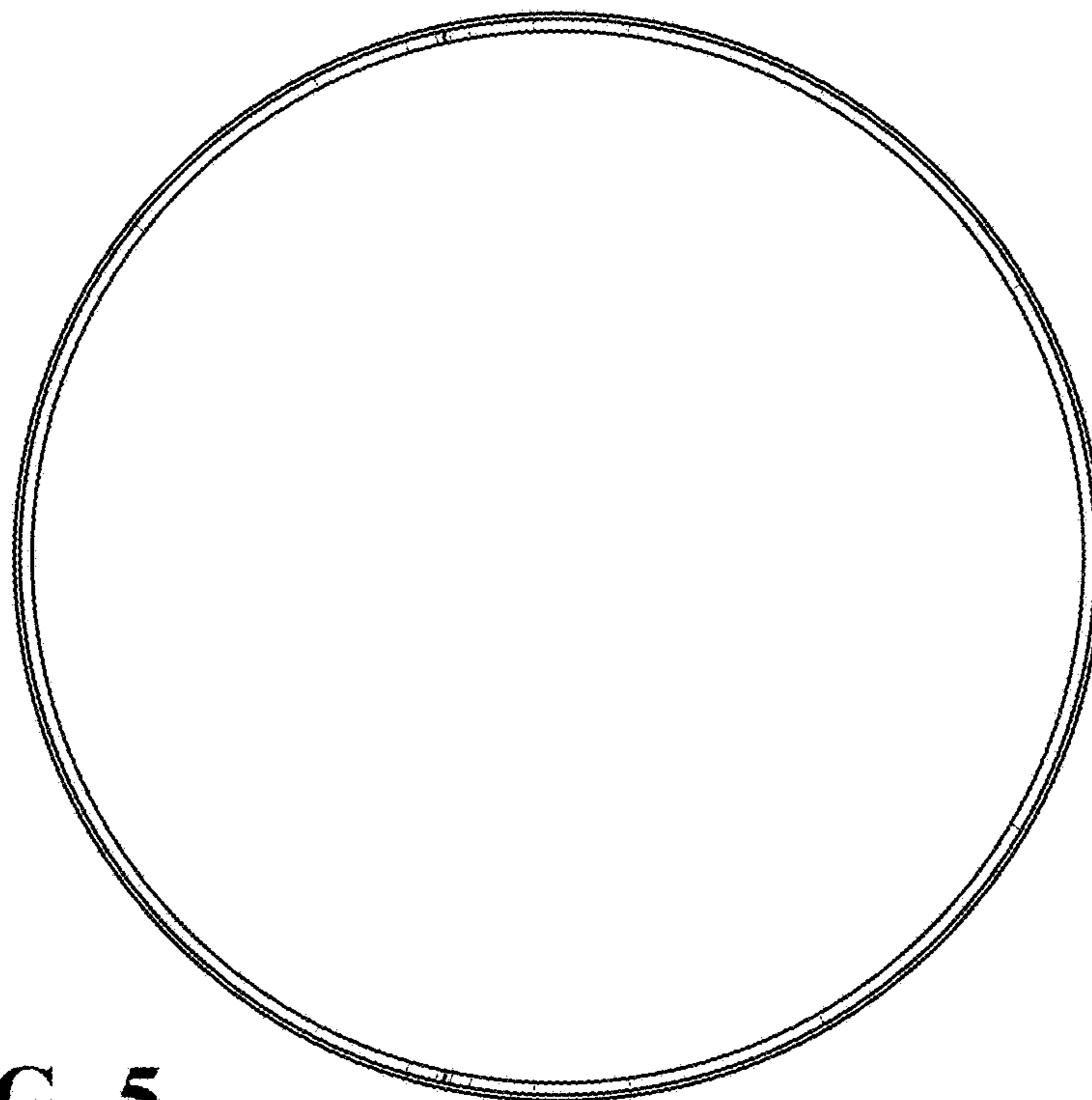
**FIG. 2**



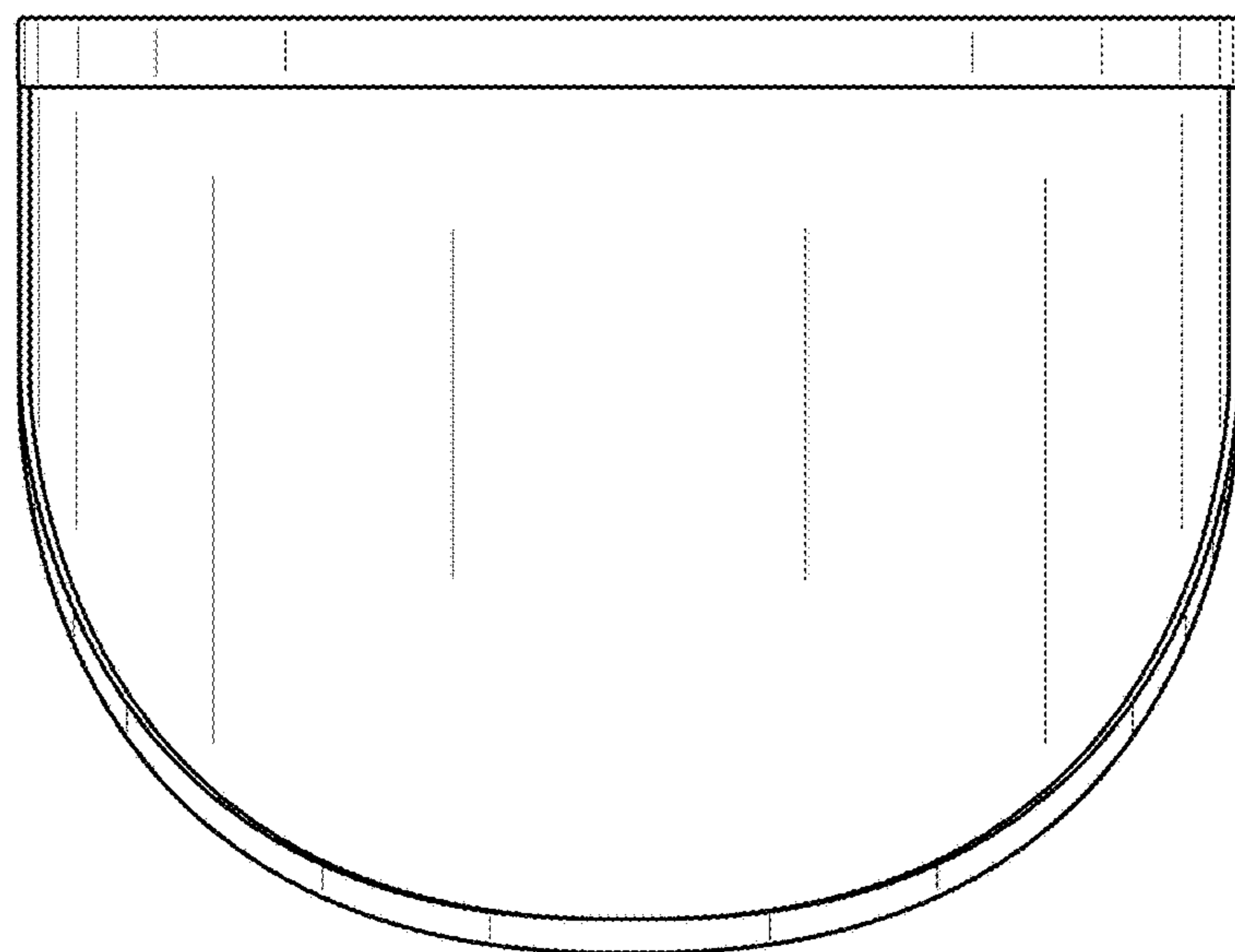
**FIG. 3**



**FIG. 4**

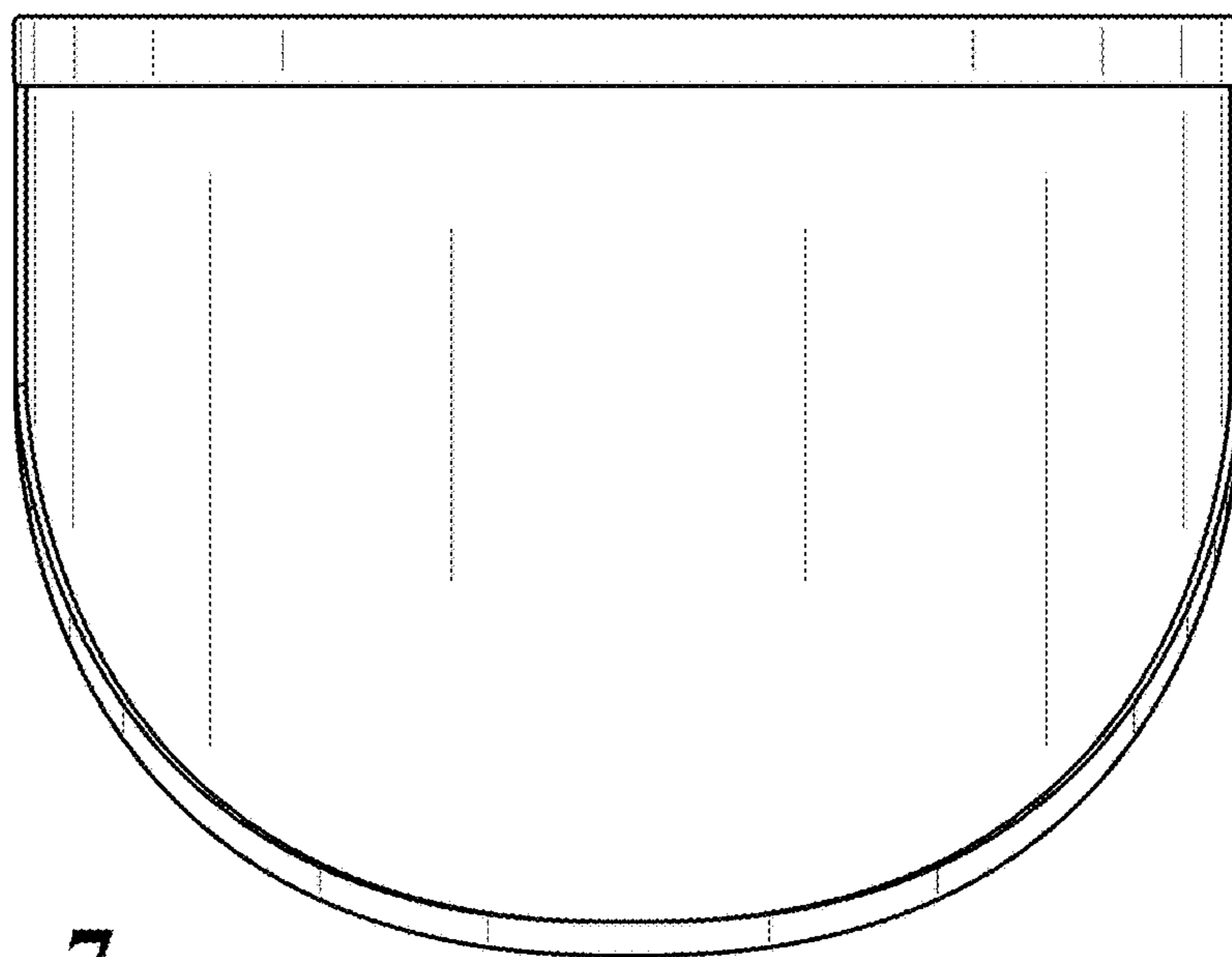


**FIG. 5**

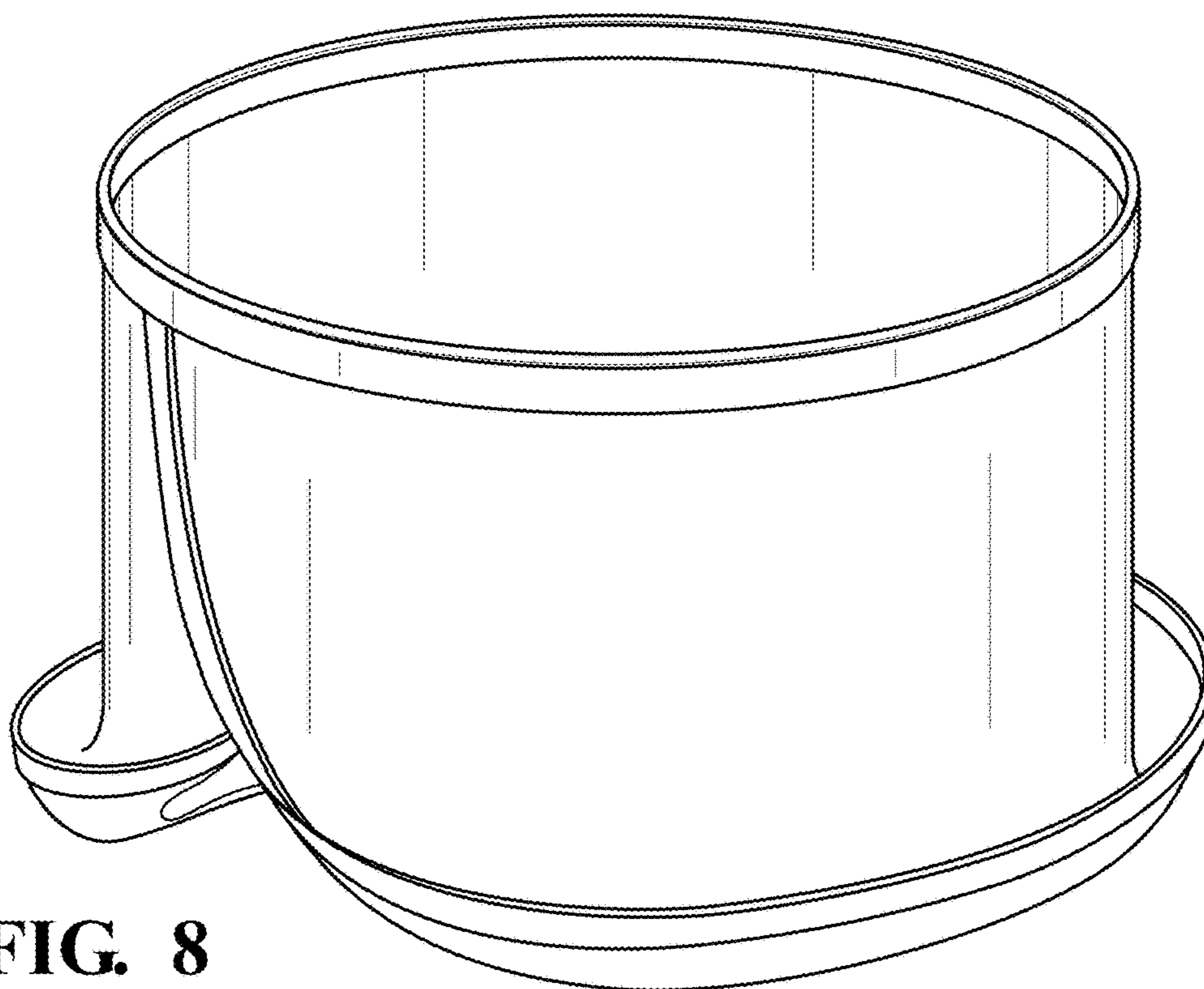


**FIG. 6**





**FIG. 7**



**FIG. 8**