



US00D805270S

(12) **United States Design Patent**
Lucero

(10) **Patent No.:** **US D805,270 S**

(45) **Date of Patent:** **** Dec. 19, 2017**

(54) **TIE KNOT FORM**

(71) Applicant: **Adam Lucero**, Evanston, IL (US)

(72) Inventor: **Adam Lucero**, Evanston, IL (US)

(**) Term: **15 Years**

(21) Appl. No.: **29/563,311**

(22) Filed: **May 4, 2016**

(51) **LOC (10) Cl.** **02-05**

(52) **U.S. Cl.**

USPC **D2/609**

(58) **Field of Classification Search**

USPC D2/500, 600, 601, 602, 603, 604, 605,
D2/606, 607, 608, 609; D11/202; 2/144,
2/145, 148

CPC A41D 25/00; A41D 25/001; A41D 25/003;
A41D 25/008; A41D 25/02; A41D
25/025; A41D 25/027; A41D 25/06;
A41D 25/08; A41D 25/10; A44B 6/00

See application file for complete search history.

(56) **References Cited**

U.S. PATENT DOCUMENTS

919,942	A *	4/1909	Person	A41D 25/02	2/153
2,052,522	A *	8/1936	Wagenfeld	A41D 25/02	2/150
2,139,959	A *	12/1938	Knogle	A41D 25/022	2/150
2,663,023	A *	12/1953	Thorpe	A41D 25/08	2/153
2,702,905	A *	3/1955	Peake	A41D 25/022	2/153
2,787,002	A *	4/1957	De La Piedra	A41D 25/022	2/153
2,936,462	A *	5/1960	Williams, Jr.	A41D 25/022	2/150
3,353,190	A *	11/1967	Gaski	A41D 25/022	2/153

(Continued)

OTHER PUBLICATIONS

GoTie Promo TIME, [on-line]; [video published to the Internet on Mar. 23, 2016]; [retrieved from the Internet on May 10, 2017]; URL: < <https://www.youtube.com/watch?v=hb8vqBZkTzg>>. (1 page).*

(Continued)

Primary Examiner — Karen E. Eldridge Powers

Assistant Examiner — Jasmine Mlinarcik

(74) *Attorney, Agent, or Firm* — Antonio Papageorgiou, Esq.; Meister Seelig & Fein LLP

(57) **CLAIM**

The ornamental design for a tie knot form, as shown and described.

DESCRIPTION

FIG. 1 is a perspective view of one side and the front of a tie knot form according to the first embodiment of my new design;

FIG. 2 is a front elevation view thereof;

FIG. 3 is a back elevation view thereof;

FIG. 4 is a left side elevation view thereof;

FIG. 5 is a right side elevation view thereof;

FIG. 6 is a top plan view thereof; and

FIG. 7 is a bottom plan view thereof.

FIG. 8 is a perspective view of one side and the front of the invention according to a second embodiment of my new design;

FIG. 9 is a front elevation view thereof;

FIG. 10 is a back elevation view thereof;

FIG. 11 is a left side elevation view thereof;

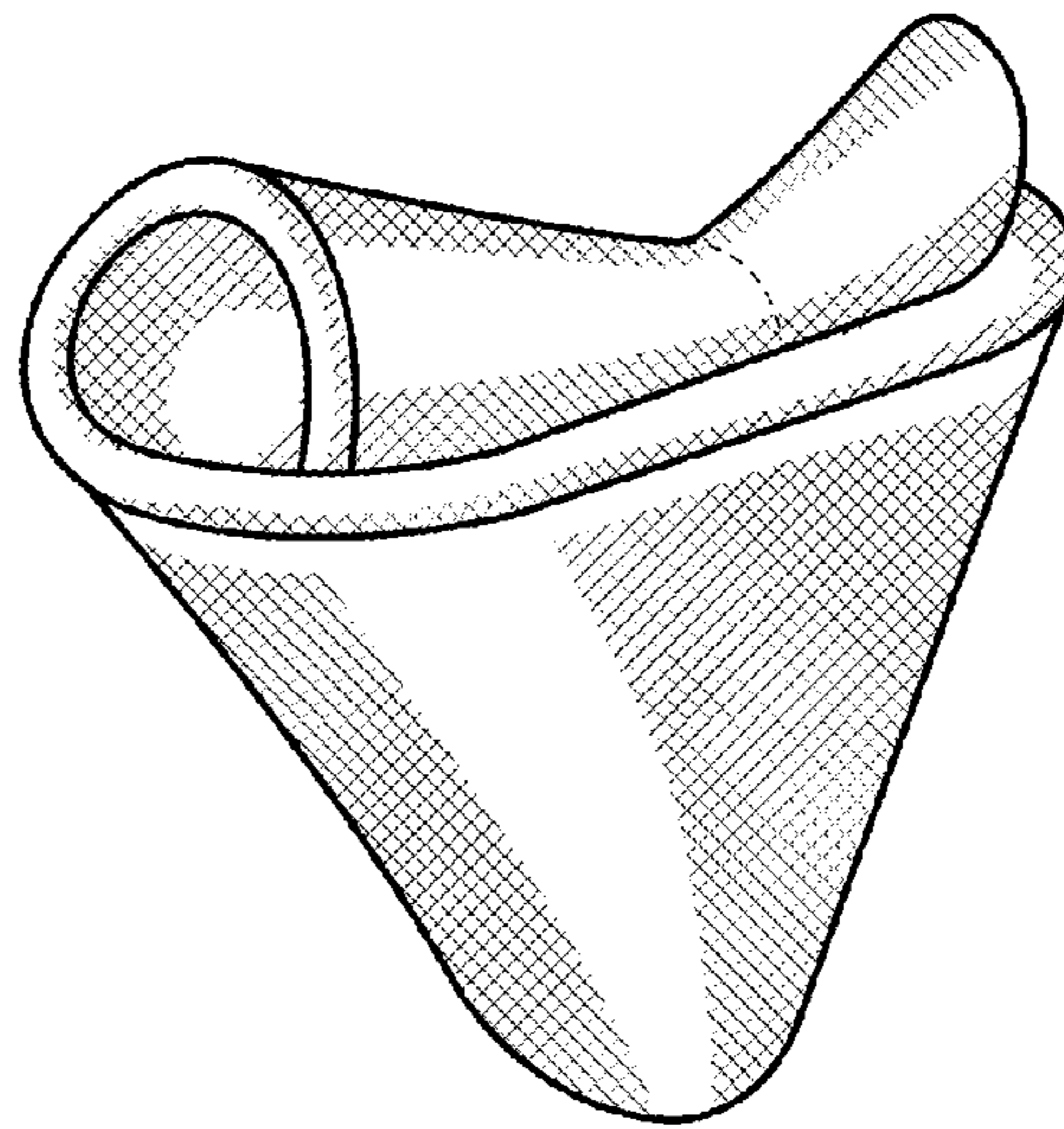
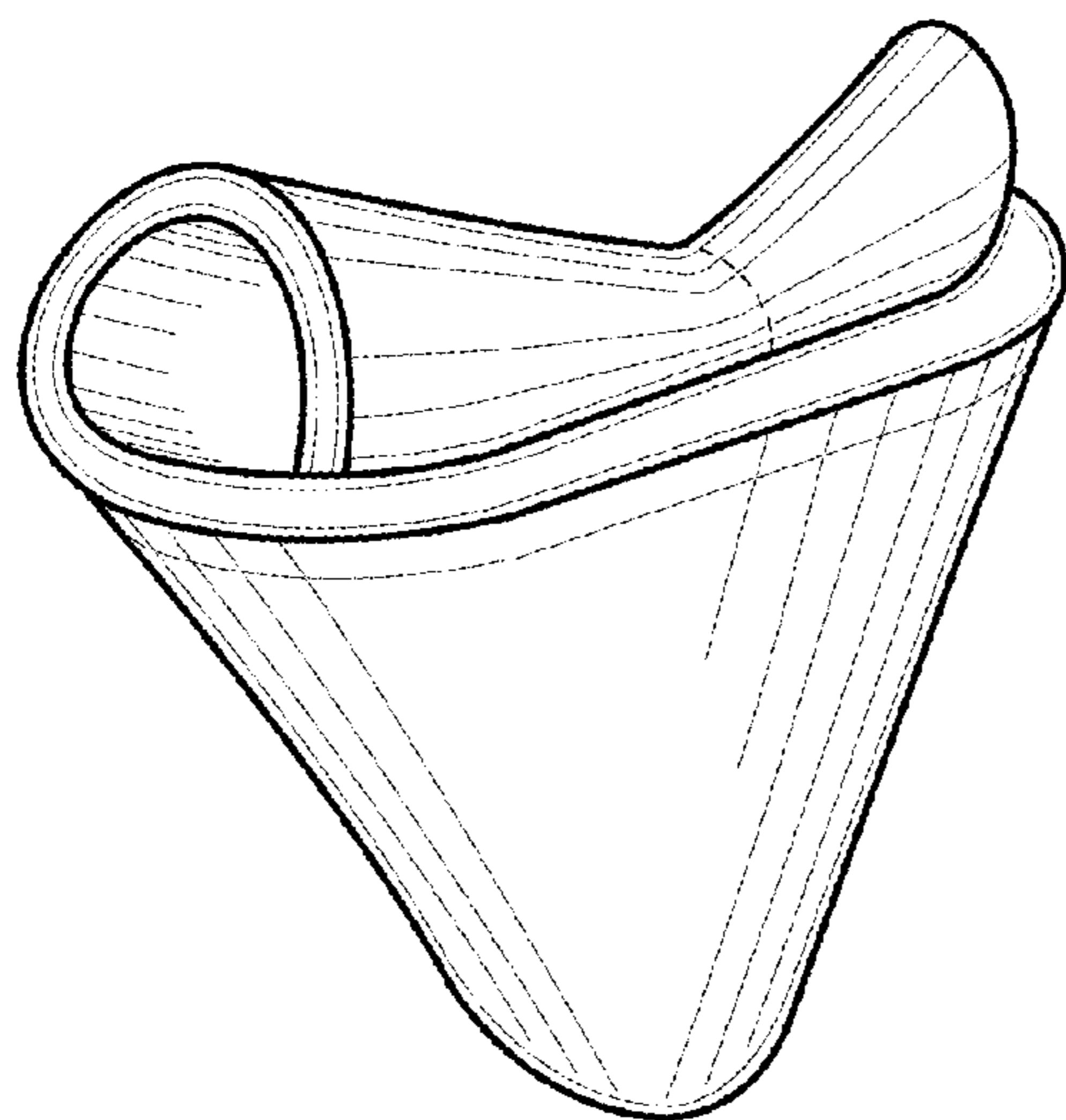
FIG. 12 is a right side elevation view thereof;

FIG. 13 is a top plan view thereof; and,

FIG. 14 is a bottom plan view thereof.

The dashed lines shown in the drawings illustrate environmental structure and form no part of the claimed design.

1 Claim, 6 Drawing Sheets



(56)

References Cited

U.S. PATENT DOCUMENTS

3,999,222 A * 12/1976 Walborn A41D 25/022
2/150
4,368,544 A * 1/1983 Smith A41D 25/025
2/153
4,573,219 A * 3/1986 Hooten A41D 25/022
2/153
D301,521 S * 6/1989 Safford D2/609
5,008,981 A * 4/1991 Smithson A41D 25/022
24/115 G
5,035,002 A * 7/1991 Knight, Jr. A41D 25/022
2/137
D352,376 S * 11/1994 Moore D2/605
D411,575 S * 6/1999 LaBorde D2/609
D420,201 S * 2/2000 Azhar D2/609
6,305,025 B1 * 10/2001 Pilon A41D 25/02
2/145

6,920,642 B2 * 7/2005 Dickens A41D 25/022
2/152.1
D550,929 S * 9/2007 Cordonier D2/600
7,770,238 B2 * 8/2010 Dayan A41D 25/02
2/148
D622,931 S * 9/2010 Jenkins D2/609
7,930,806 B2 * 4/2011 Funk A41D 25/022
2/153
D744,194 S * 12/2015 Speer D2/609
2004/0017085 A1 * 1/2004 Daniels A41D 25/022
289/1.2

OTHER PUBLICATIONS

Shark Tank Video GoTie 2015 Final, [on-line video]; [video published to the Internet on Mar. 2, 2017]; [retrieved from the Internet on May 12, 2017]; URL: <<https://www.youtube.com/watch?v=TOM0TM8XuqM>>. (1 page).*

* cited by examiner

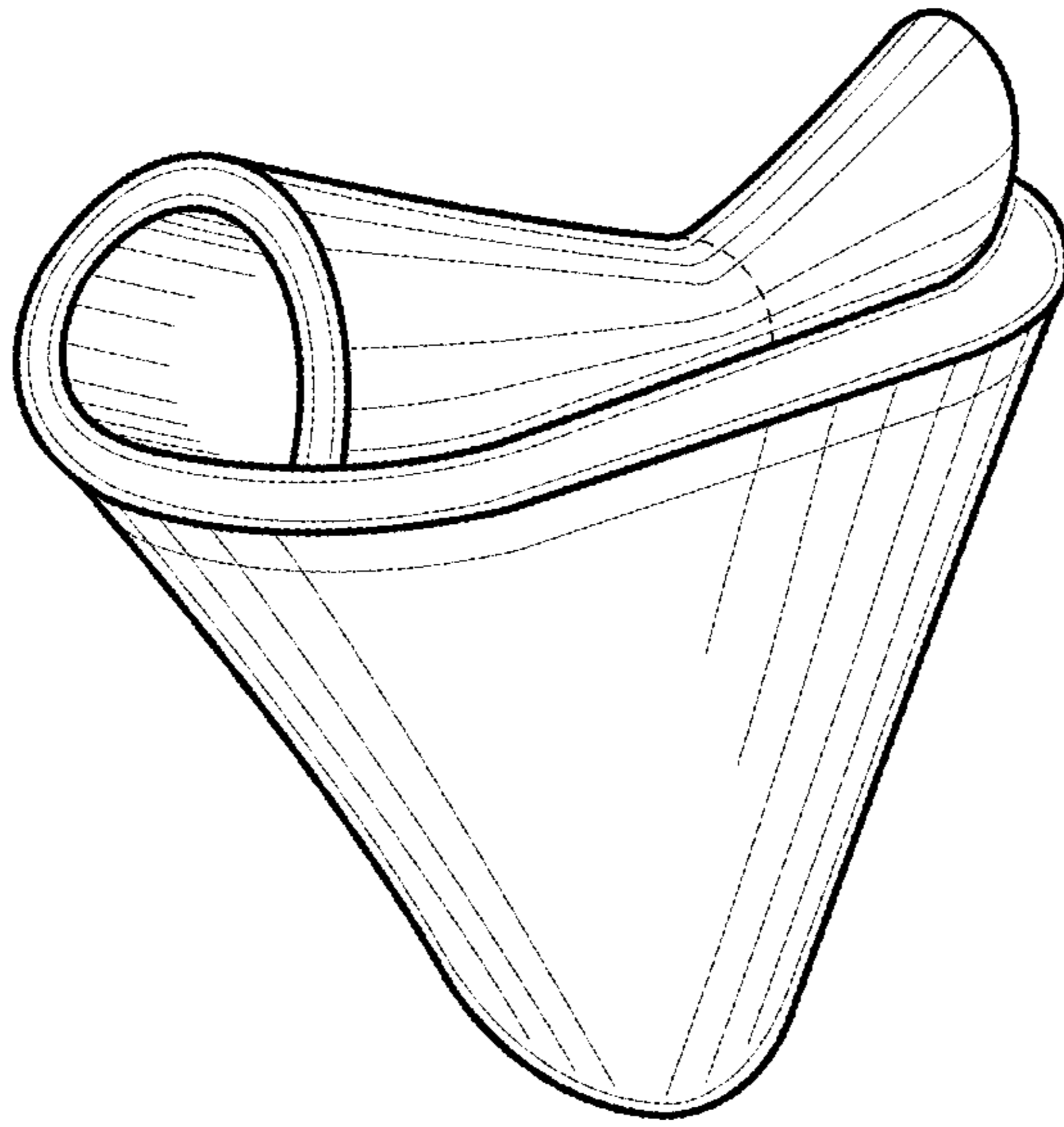


FIG. 1

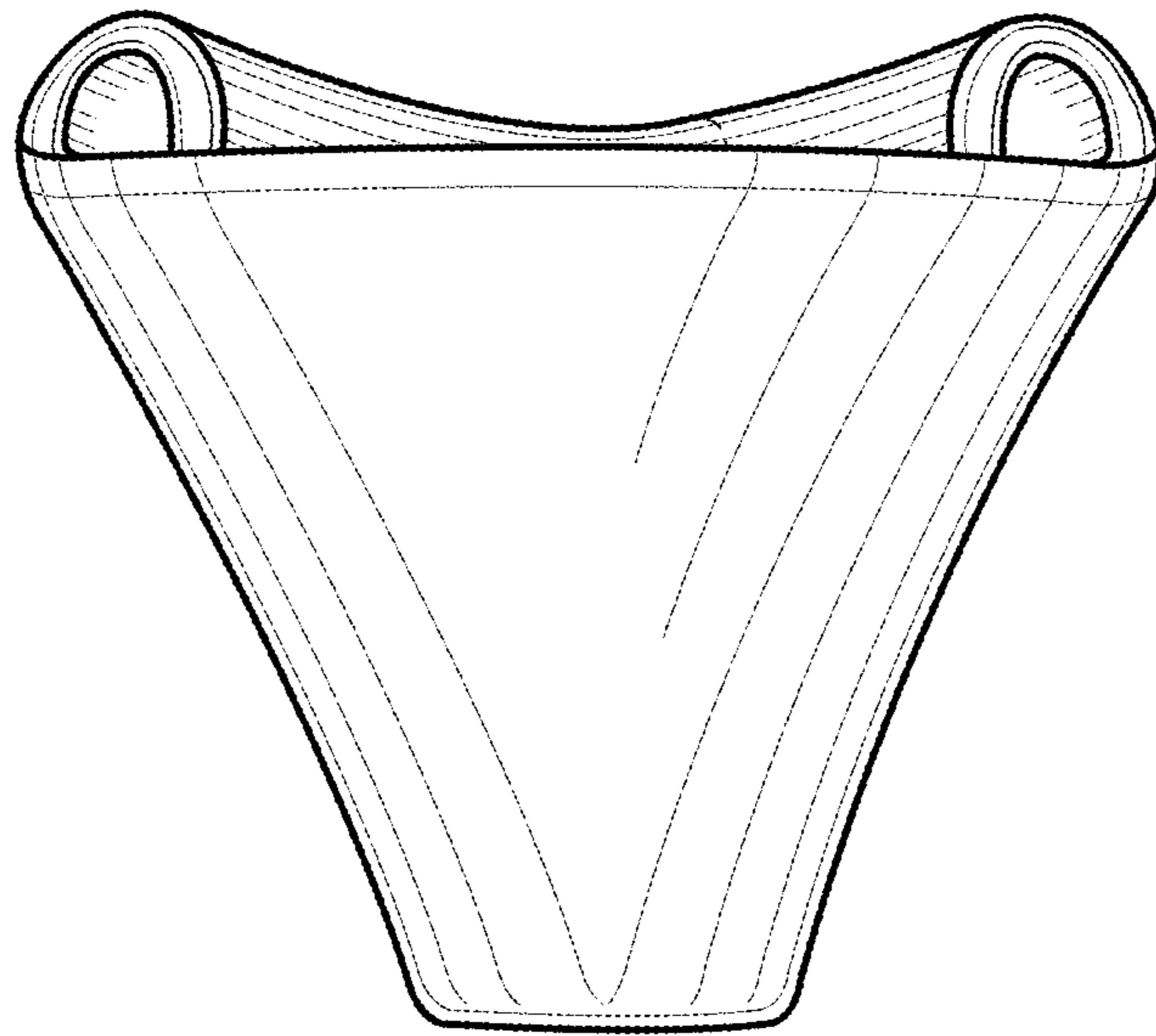


FIG. 2

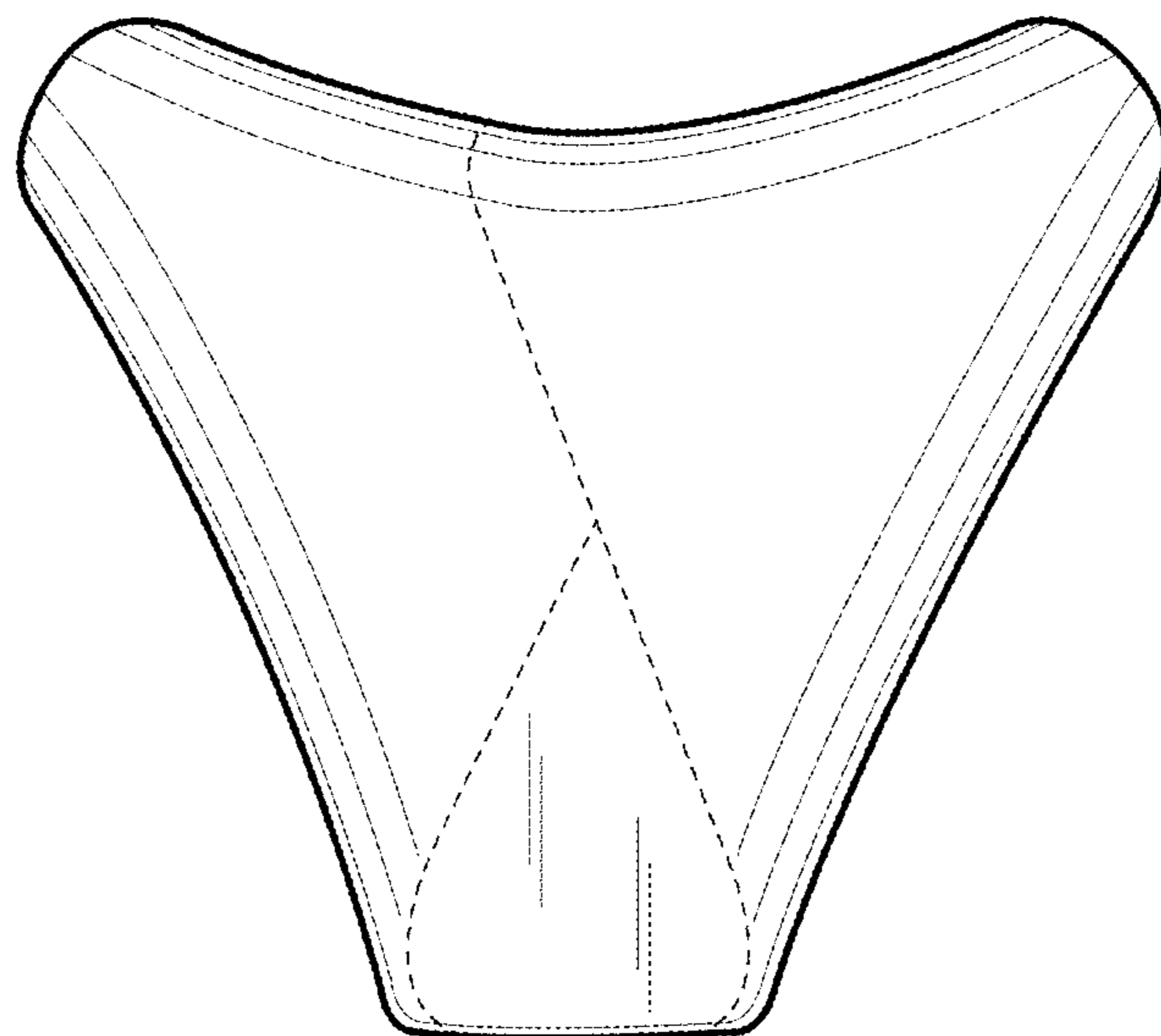


FIG. 3

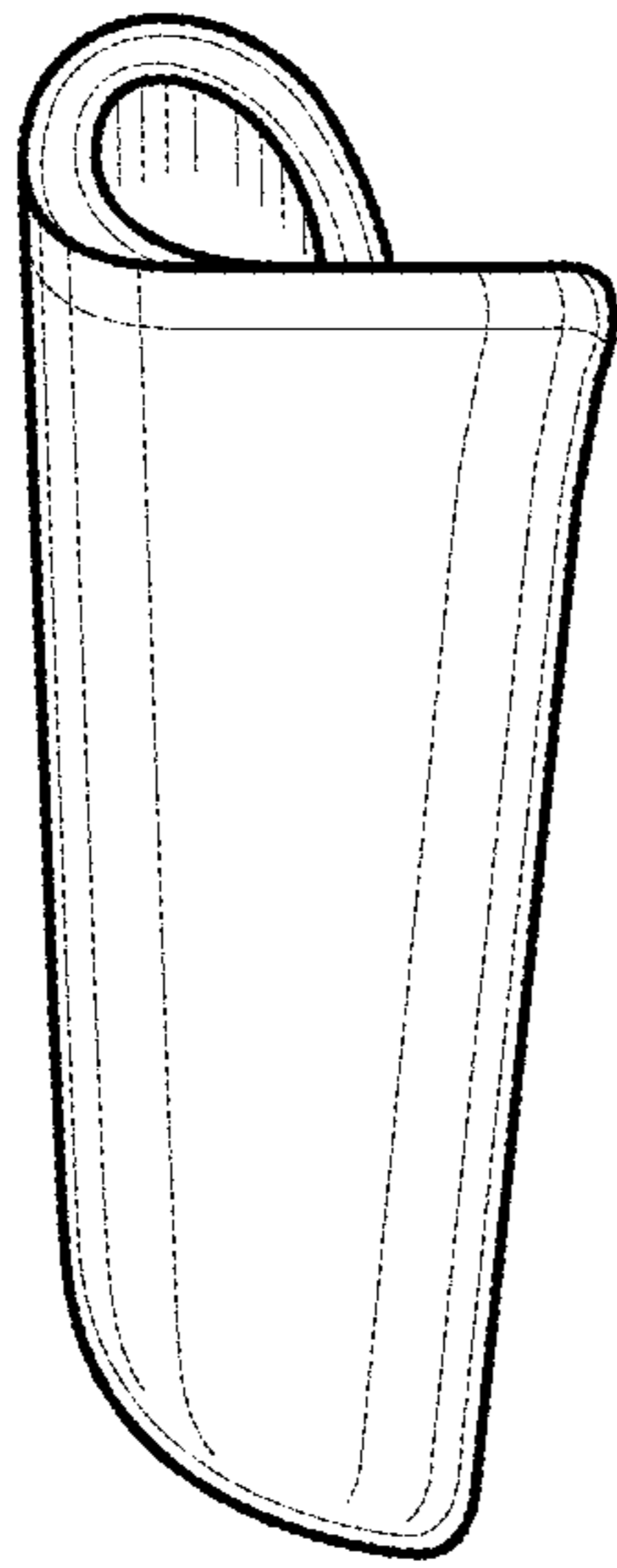


FIG. 4

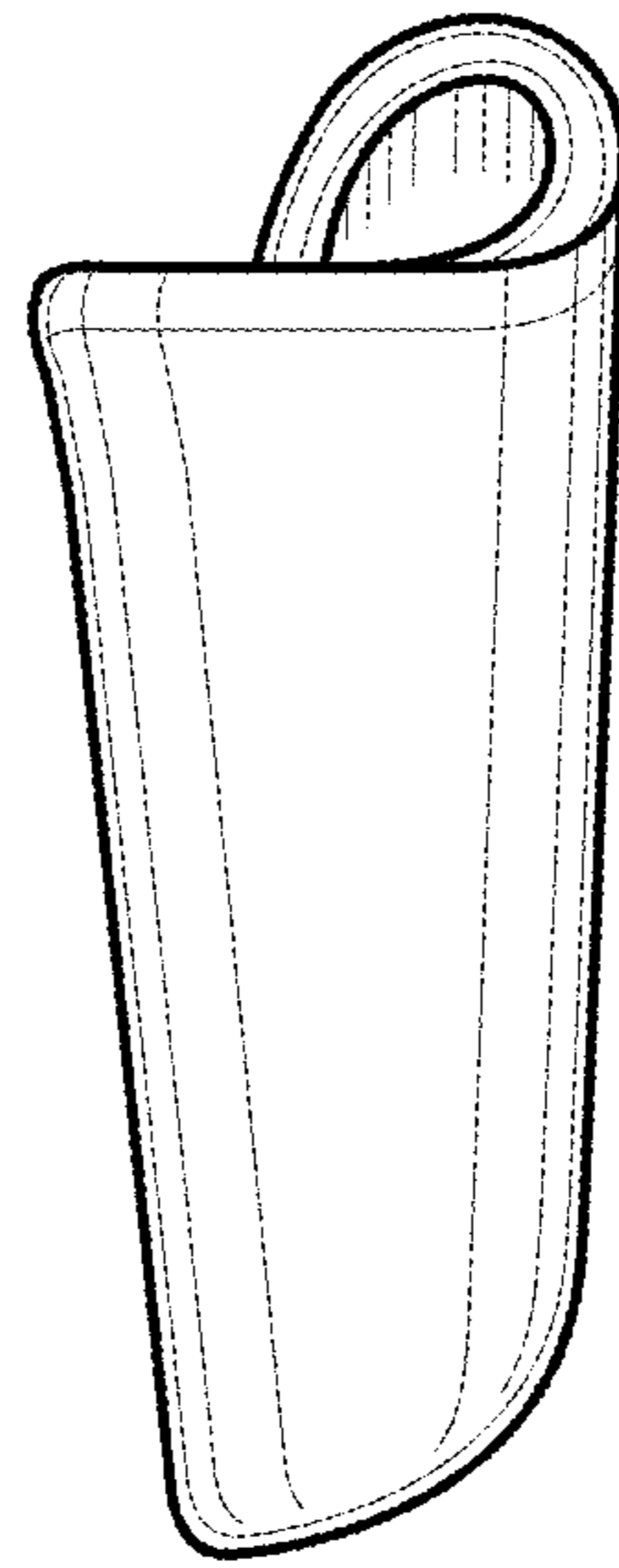


FIG. 5

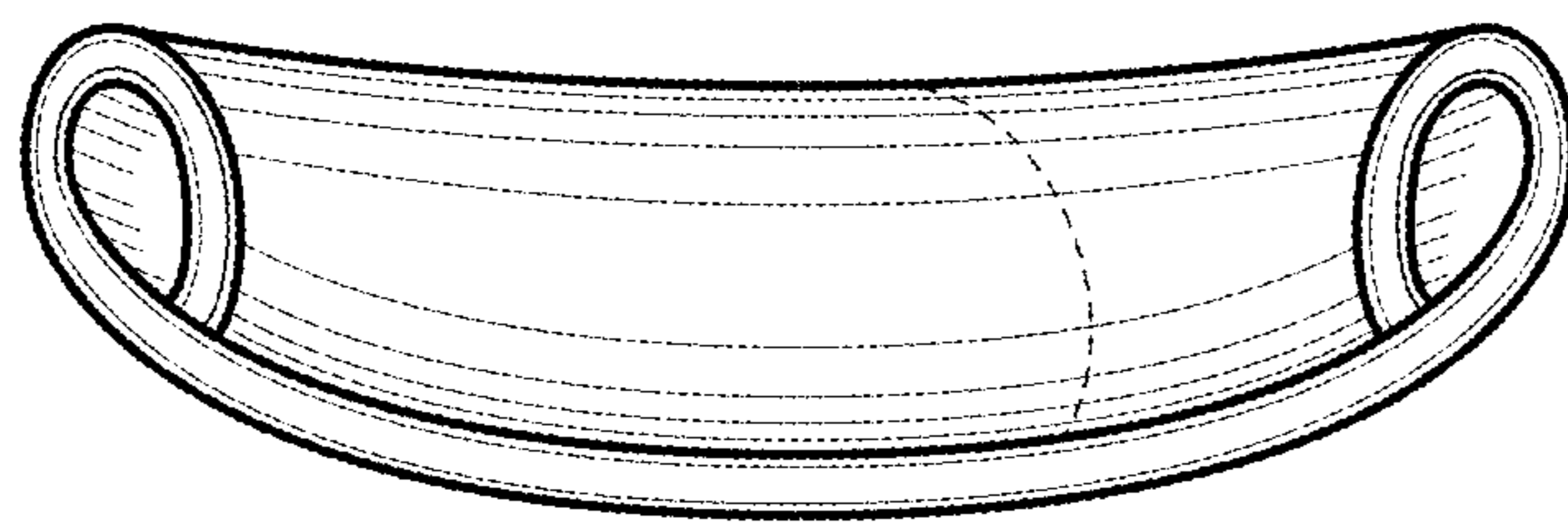


FIG. 6

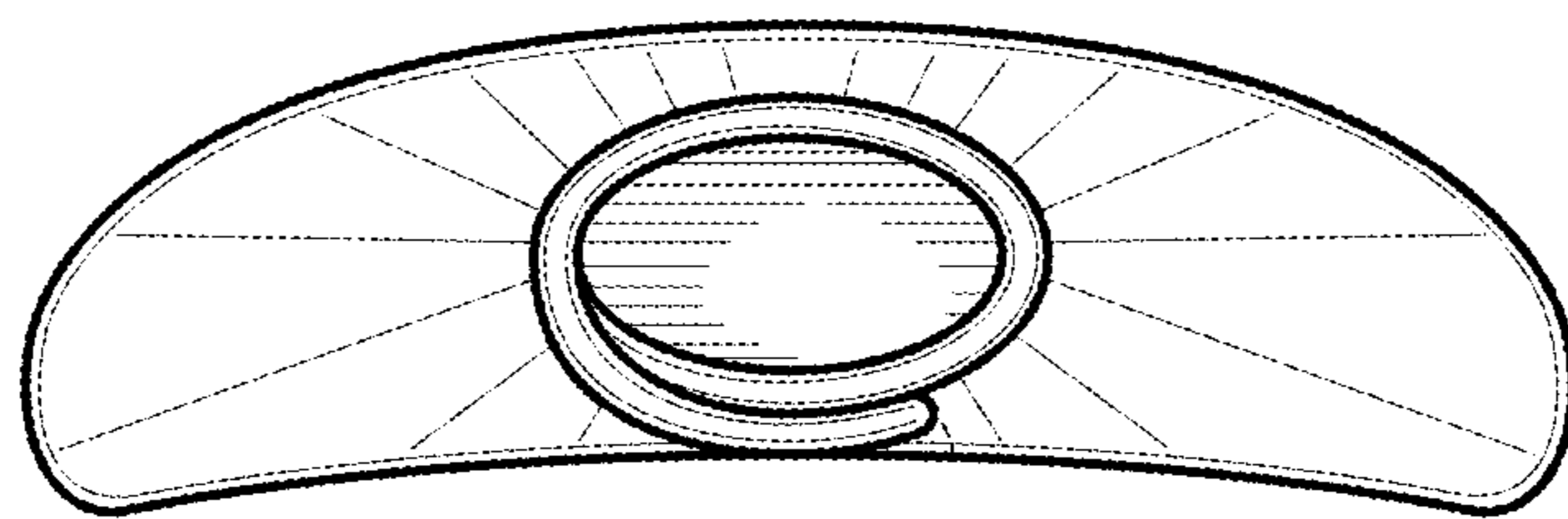


FIG. 7

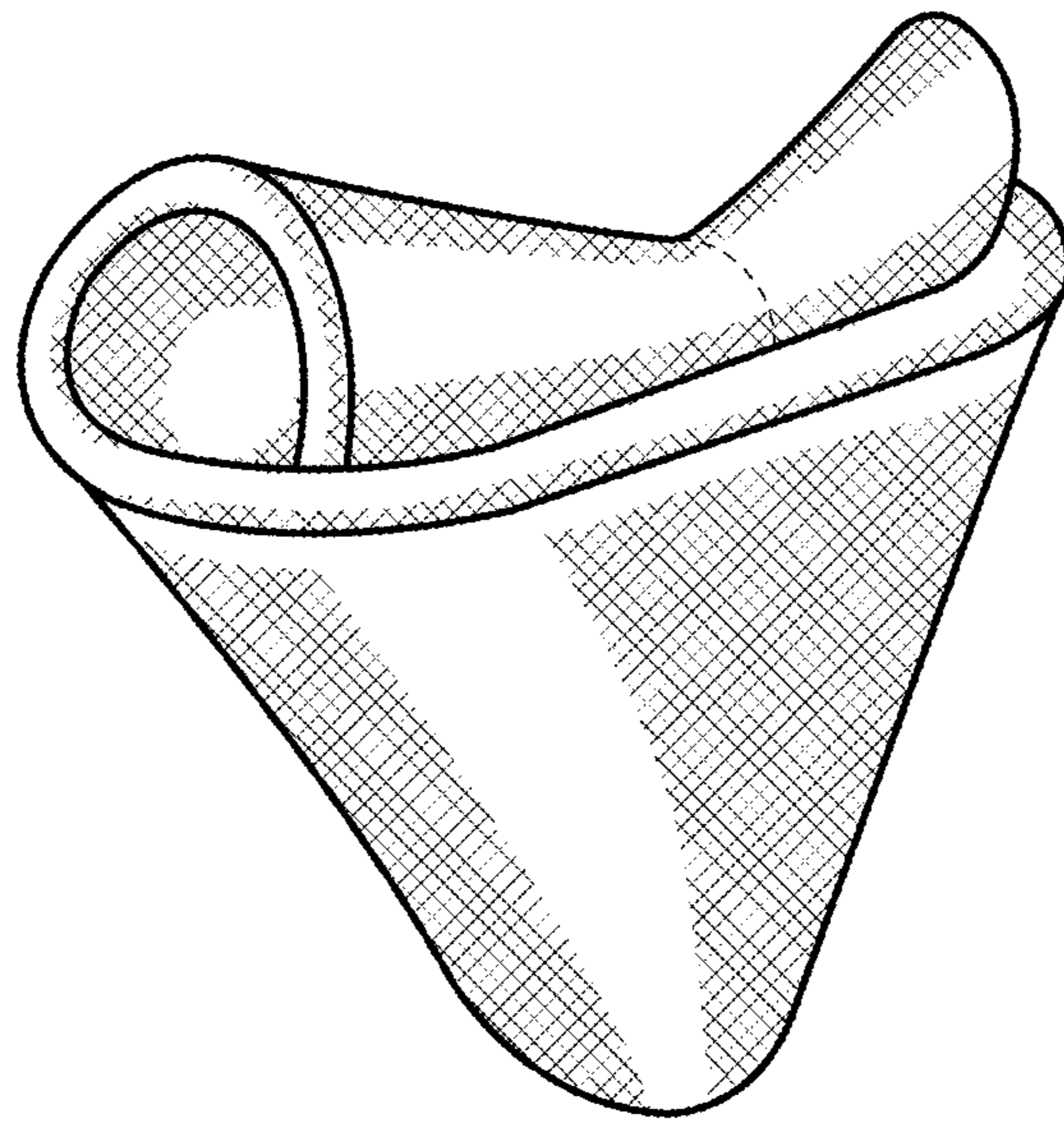


FIG. 8

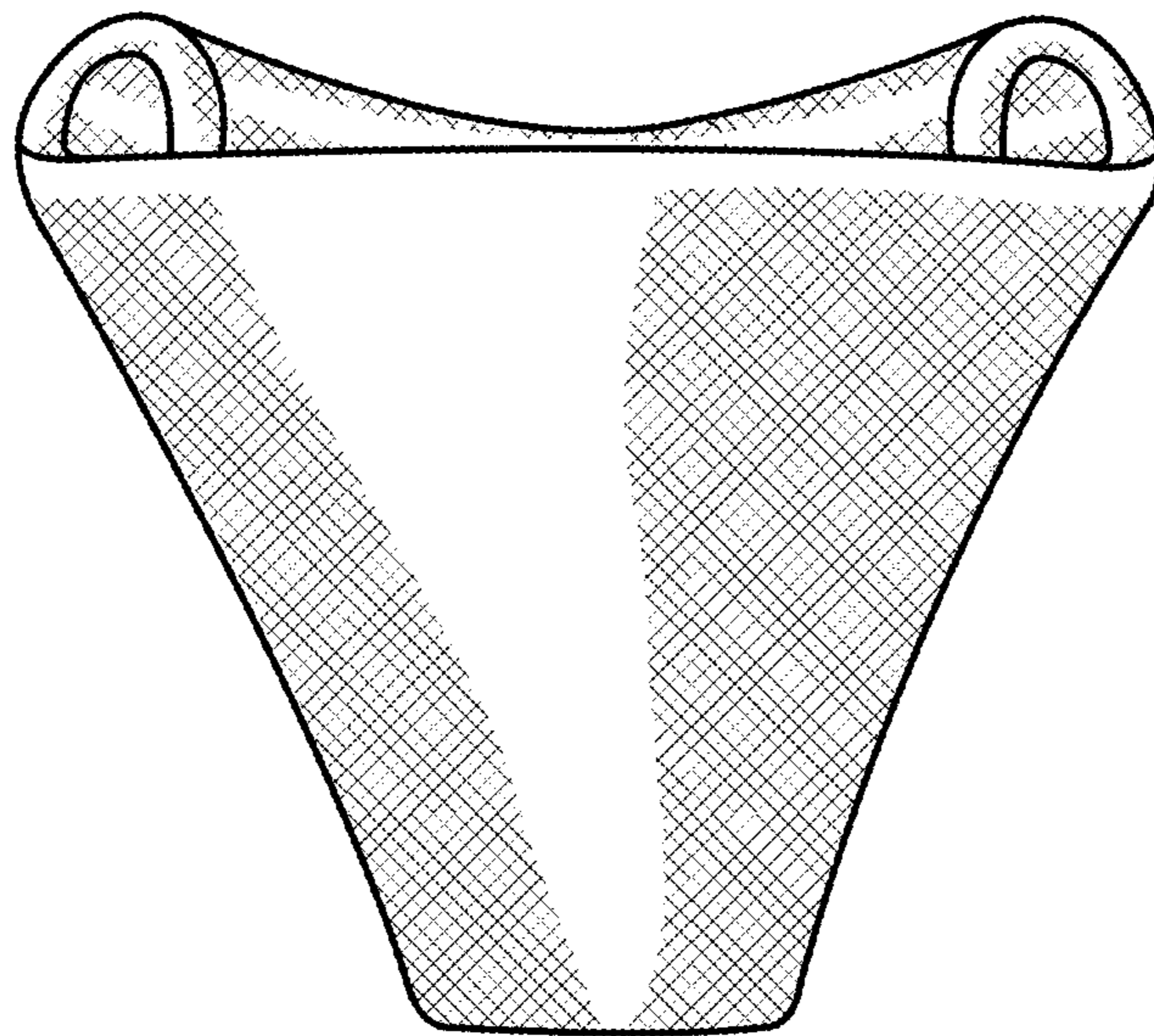


FIG. 9

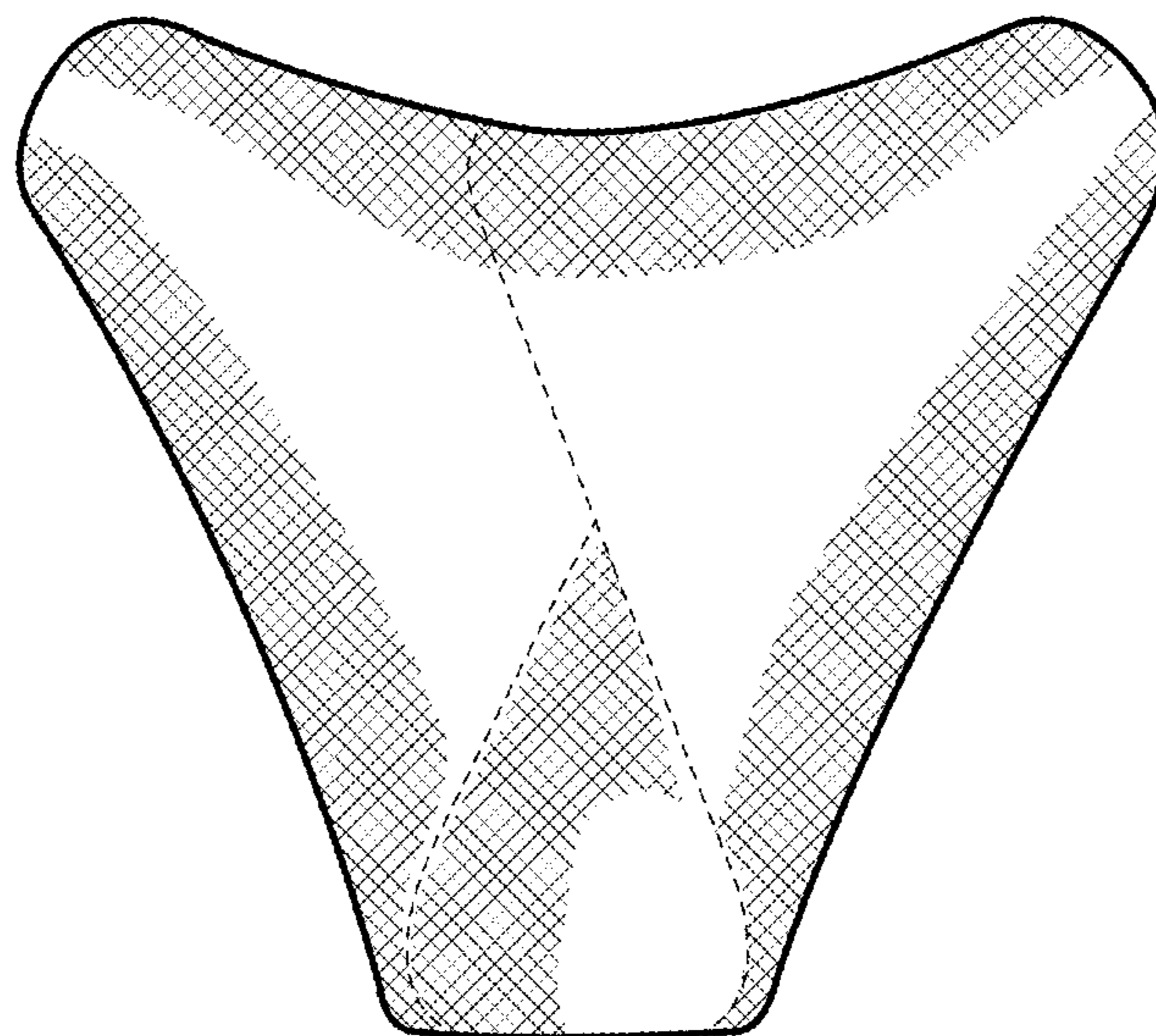


FIG. 10

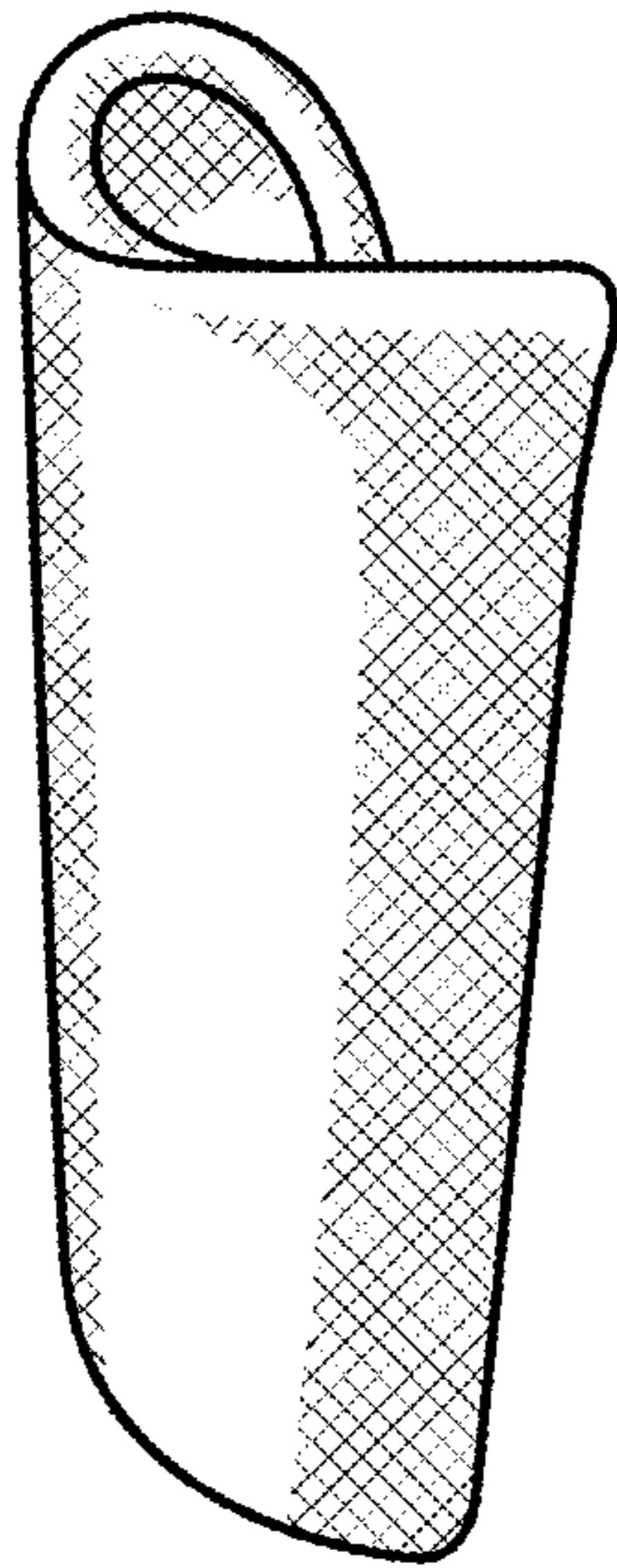


FIG. 11

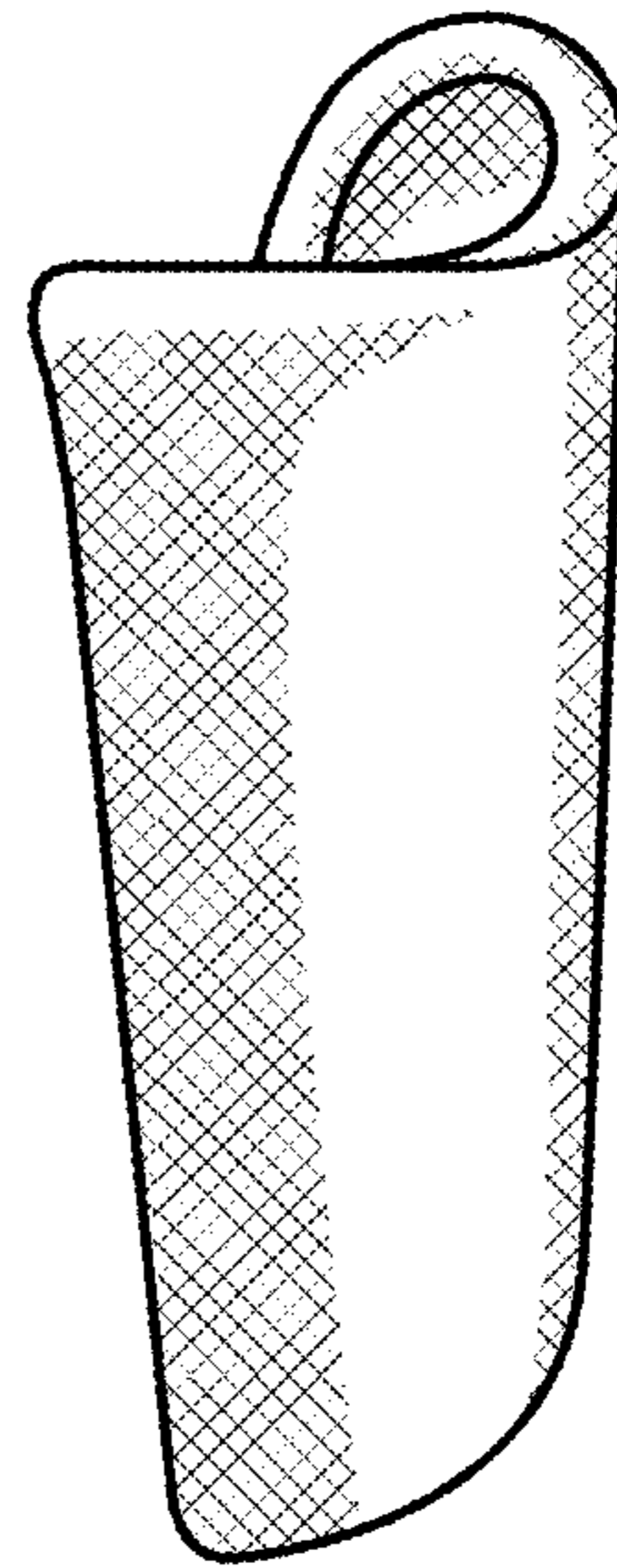


FIG. 12

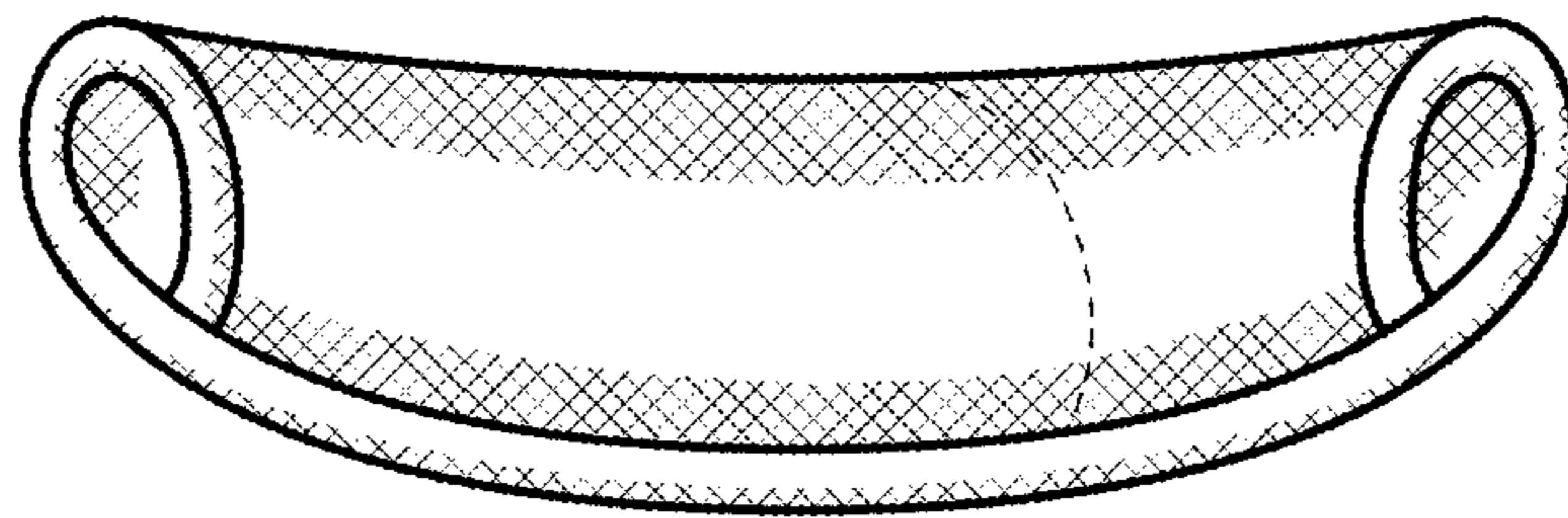


FIG. 13

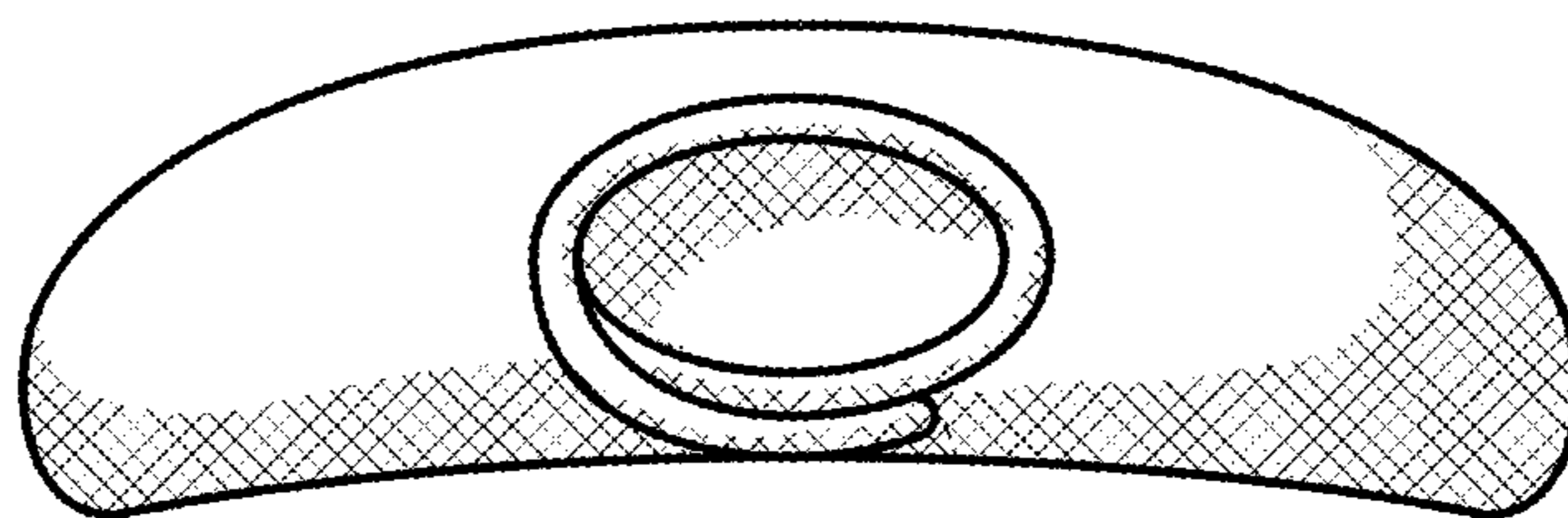


FIG. 14