



US00D805268S

(12) **United States Design Patent** (10) **Patent No.:** **US D805,268 S**
Ishibashi (45) **Date of Patent:** **** Dec. 12, 2017**

(54) **SPONGE FOR SUBSTRATE CLEANING**
(71) Applicant: **EBARA CORPORATION**, Tokyo (JP)
(72) Inventor: **Tomoatsu Ishibashi**, Tokyo (JP)
(73) Assignee: **EBARA CORPORATION**, Tokyo (JP)
(**) Term: **15 Years**

5,286,573 A * 2/1994 Prinz B22F 3/115
264/255
D346,627 S * 5/1994 Bach D21/501
D367,743 S * 3/1996 Krause D15/126
(Continued)

(21) Appl. No.: **29/580,723**
(22) Filed: **Oct. 12, 2016**

FOREIGN PATENT DOCUMENTS

CN 301320809 * 8/2010
JP 2000-173966 A 6/2000

(30) **Foreign Application Priority Data**

Apr. 13, 2016 (JP) 2016-008171

(51) **LOC (10) Cl.** **07-05**
(52) **U.S. Cl.**
USPC **D32/40**
(58) **Field of Classification Search**
USPC D32/40-43, 46-49; D21/500-505;
D25/117; D8/70, 62
CPC A47L 13/22; A47L 13/312; B21D 53/76;
A47K 7/03
See application file for complete search history.

OTHER PUBLICATIONS

Amazon.com: Lego Parts: Brick, review date Jun. 17, 2015, <https://www.amazon.com/Lego-Parts-Brick-Round-Transparent/dp/B00I0EYSM4>, [site visited Jun. 19, 2017 11:11:47 PM].*

(Continued)

Primary Examiner — John Windmuller
Assistant Examiner — John R Yeh
(74) *Attorney, Agent, or Firm* — Pearne & Gordon LLP

(57) **CLAIM**

The ornamental design for a sponge for substrate cleaning, as shown and described.

DESCRIPTION

FIG. 1 is a perspective view observed from a top of a sponge for substrate cleaning showing our new design;
FIG. 2 is a perspective view observed from a bottom thereof;
FIG. 3 is a front view thereof, a rear view being identical thereto;
FIG. 4 is a left side view thereof, a right side view being identical thereto;
FIG. 5 is a top view thereof;
FIG. 6 is a bottom view thereof; and,
FIG. 7 is a cross-sectional view thereof taken along section line 7-7 of FIG. 5.

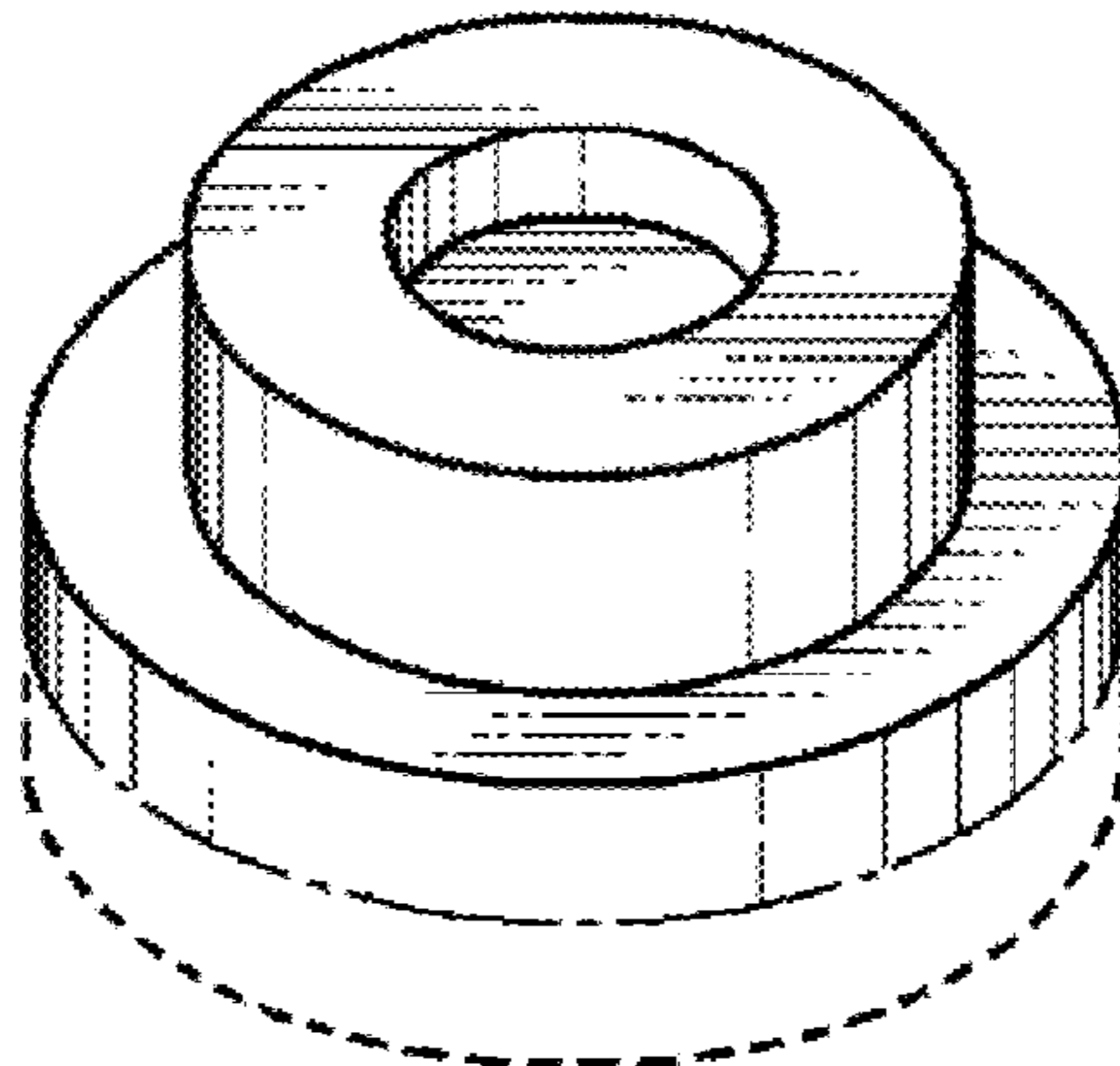
The broken lines in the figures represent portions of the sponge for substrate cleaning that form no part of the claimed design.

(56) **References Cited**

U.S. PATENT DOCUMENTS

D30,678 S * 5/1899 Childs D15/139
D52,793 S * 12/1918 Hoffman D9/772
2,090,814 A * 8/1937 Seybert B24D 11/003
15/230
2,833,168 A * 5/1958 Nelson B23B 49/005
408/202
3,381,251 A * 4/1968 Fuller H01F 30/10
336/212
3,490,183 A * 1/1970 Briggs B24D 9/02
451/488
D226,435 S * 3/1973 Hackman 174/138 J
D267,783 S * 2/1983 Lang D7/624.1

1 Claim, 1 Drawing Sheet



(56)

References Cited

U.S. PATENT DOCUMENTS

5,782,682 A * 7/1998 Han B24B 7/22
 451/527
 D411,591 S * 6/1999 Laserna Fernandez D21/500
 6,018,278 A * 1/2000 Tang H01R 4/2433
 333/100
 D434,812 S * 12/2000 Lehn Høeg D21/487
 6,682,385 B2 * 1/2004 Atzen A63H 33/088
 273/156
 D486,839 S * 2/2004 Sunagawa D15/126
 D532,945 S * 11/2006 Charmoille D32/25
 D581,236 S * 11/2008 Umbrell D8/70
 D585,466 S * 1/2009 Park D15/126
 D626,976 S * 11/2010 Park D15/126
 D688,328 S * 8/2013 Holm D21/484
 D765,328 S * 8/2016 Brown D32/40
 D787,143 S * 5/2017 Ishibashi D32/40
 2015/0017388 A1 * 1/2015 Chu B24D 11/003
 428/156

OTHER PUBLICATIONS

Yooycart.com, Like automotive polishing sponges, website 2013,
<https://www.yooycart.com/Product/22209819102/>, [site visited Jun.
 20, 2017 5:49:30 PM].*
 amazon.com: Lego Elements—Lego Parts: Brick, Round 1×1 Open
 Stud (Pack of 6—DBGray); Retrieved from <https://www.amazon.com>
 dated Jul. 18, 2017.

* cited by examiner

FIG. 1

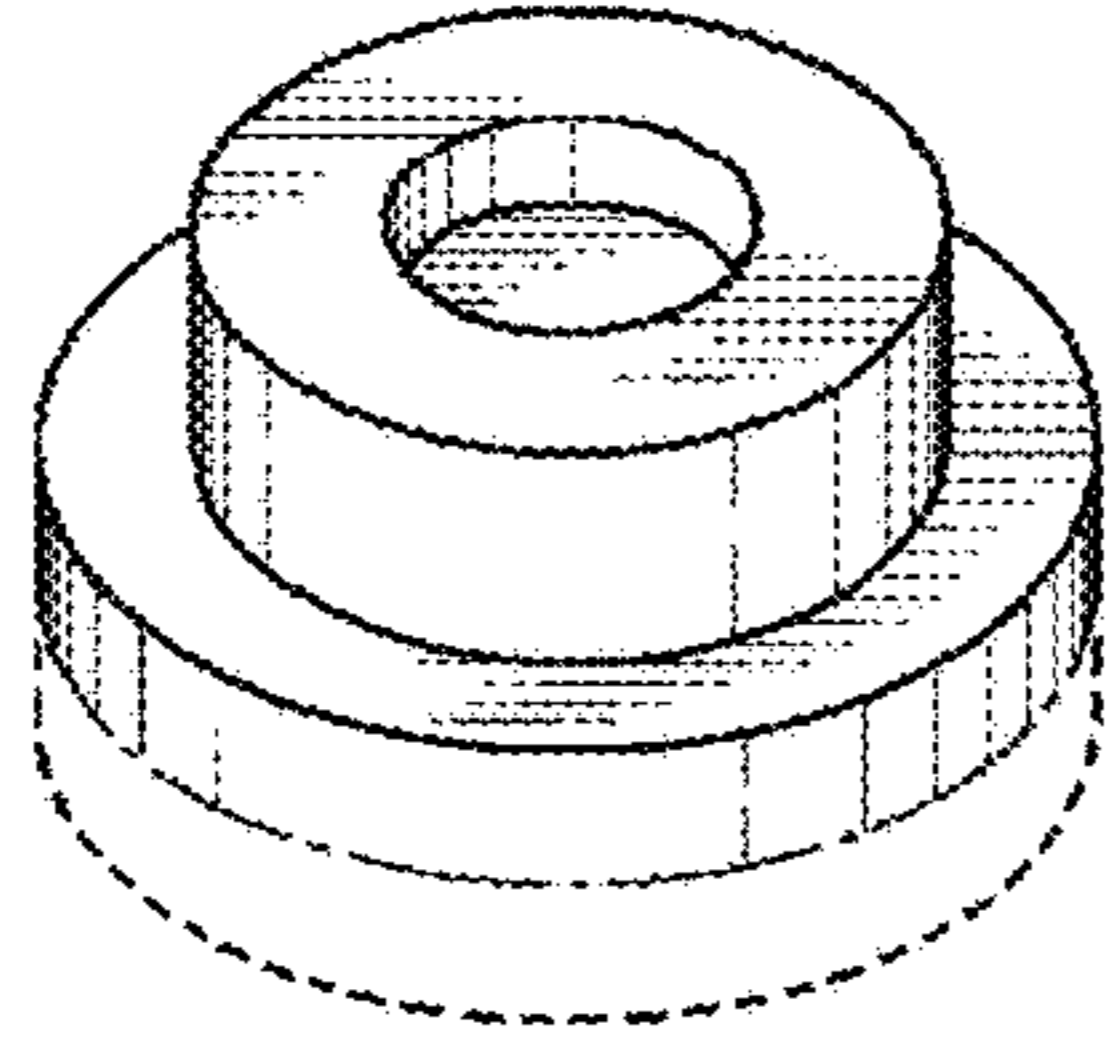


FIG. 2

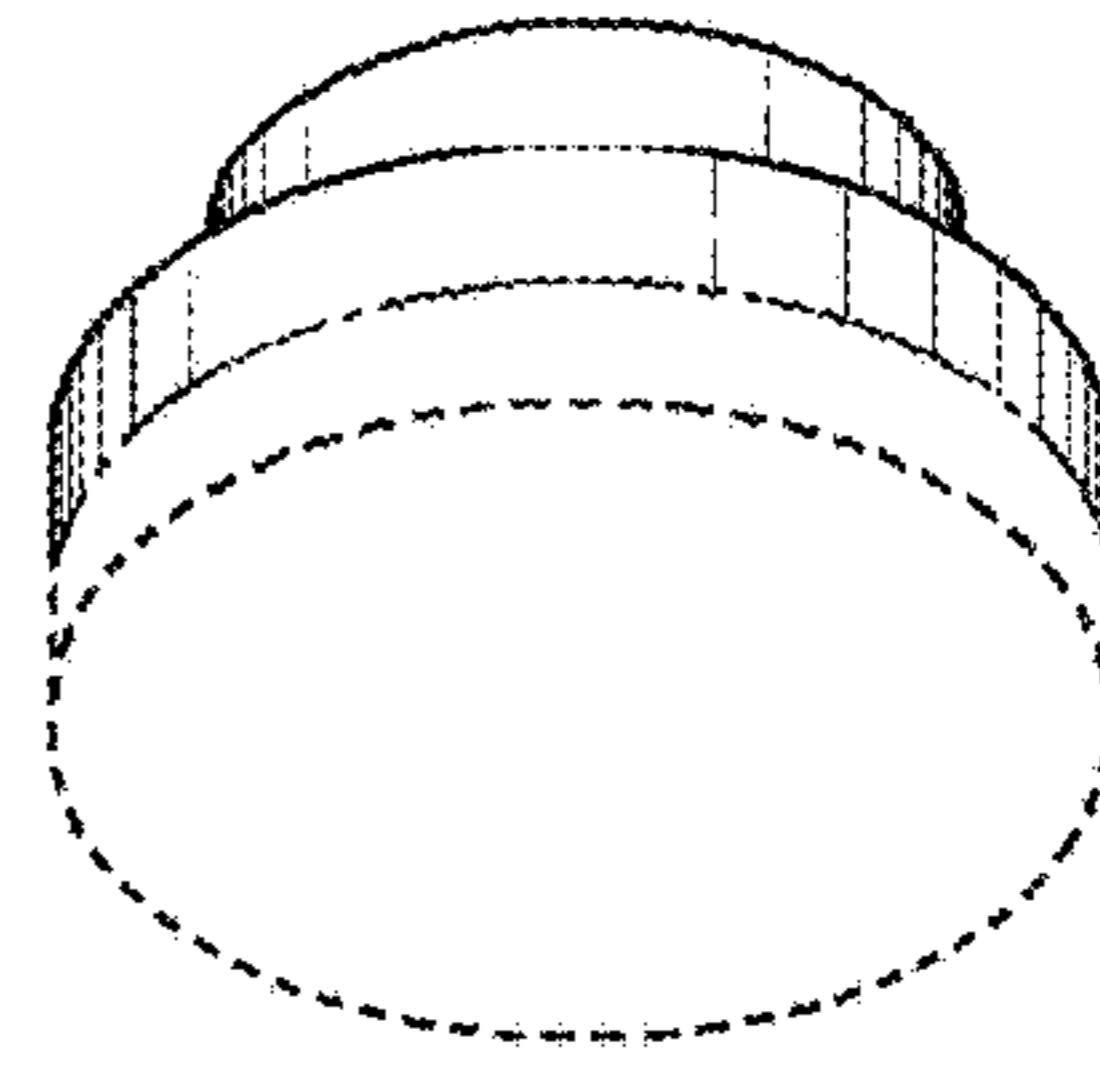


FIG. 3

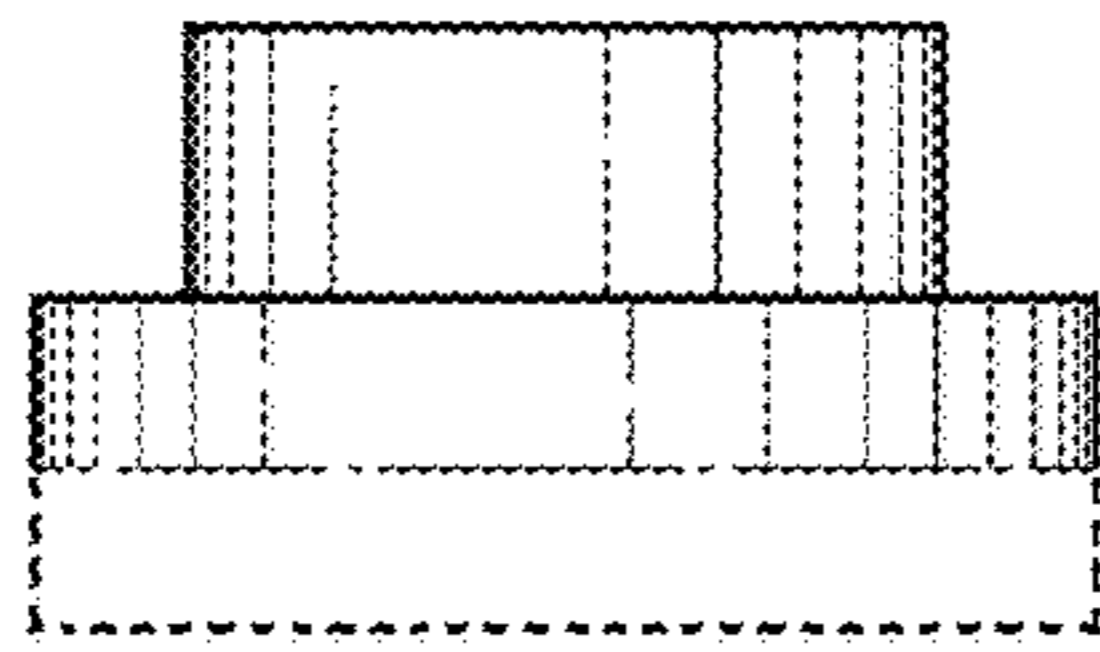


FIG. 4

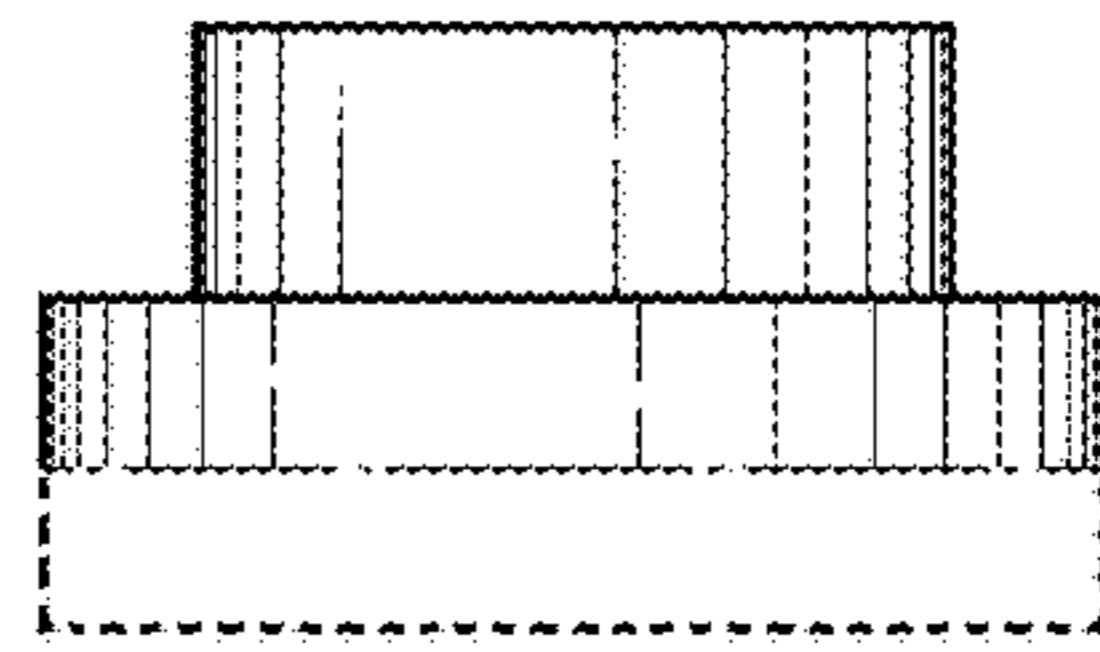


FIG. 5

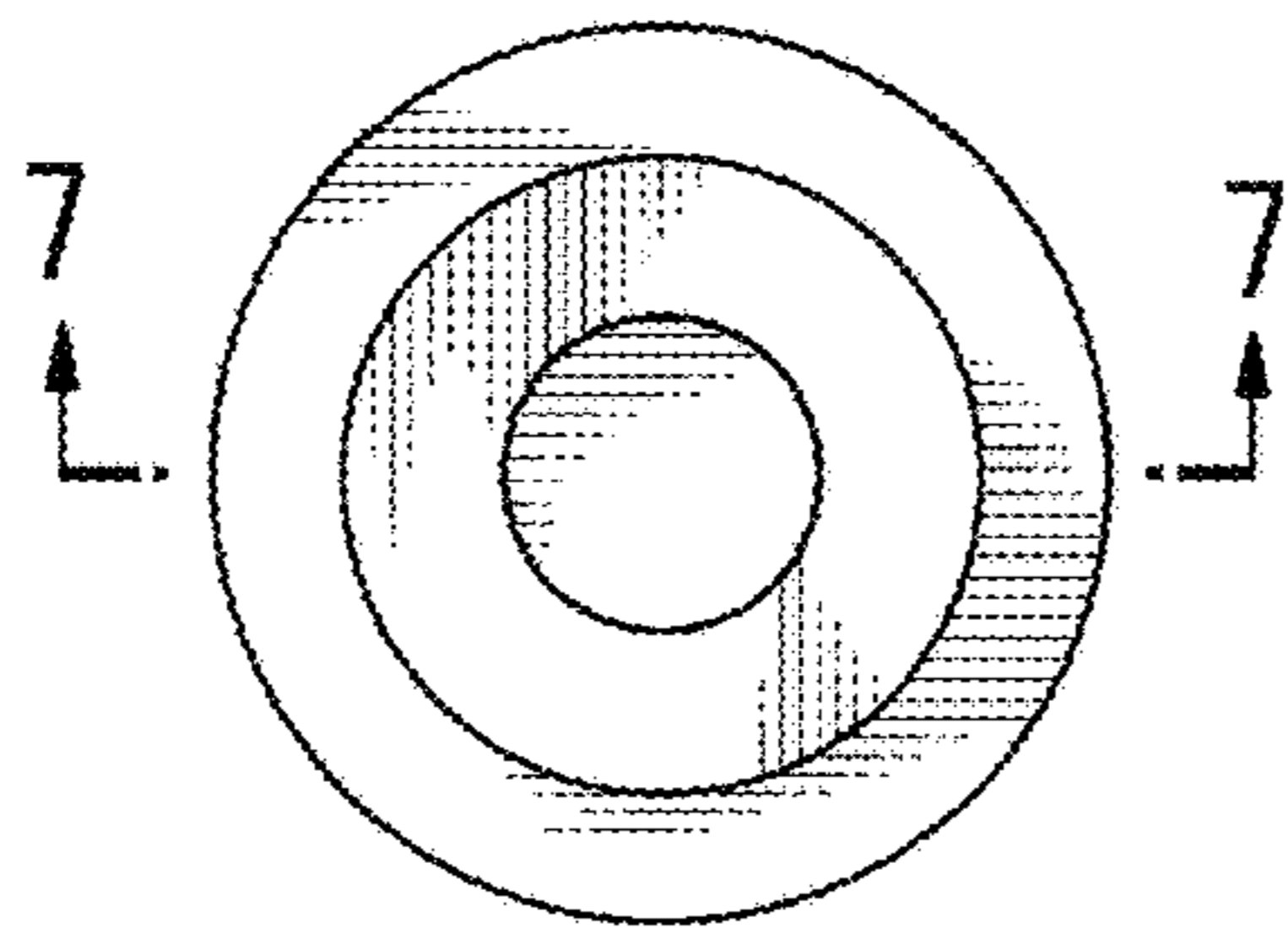


FIG. 6

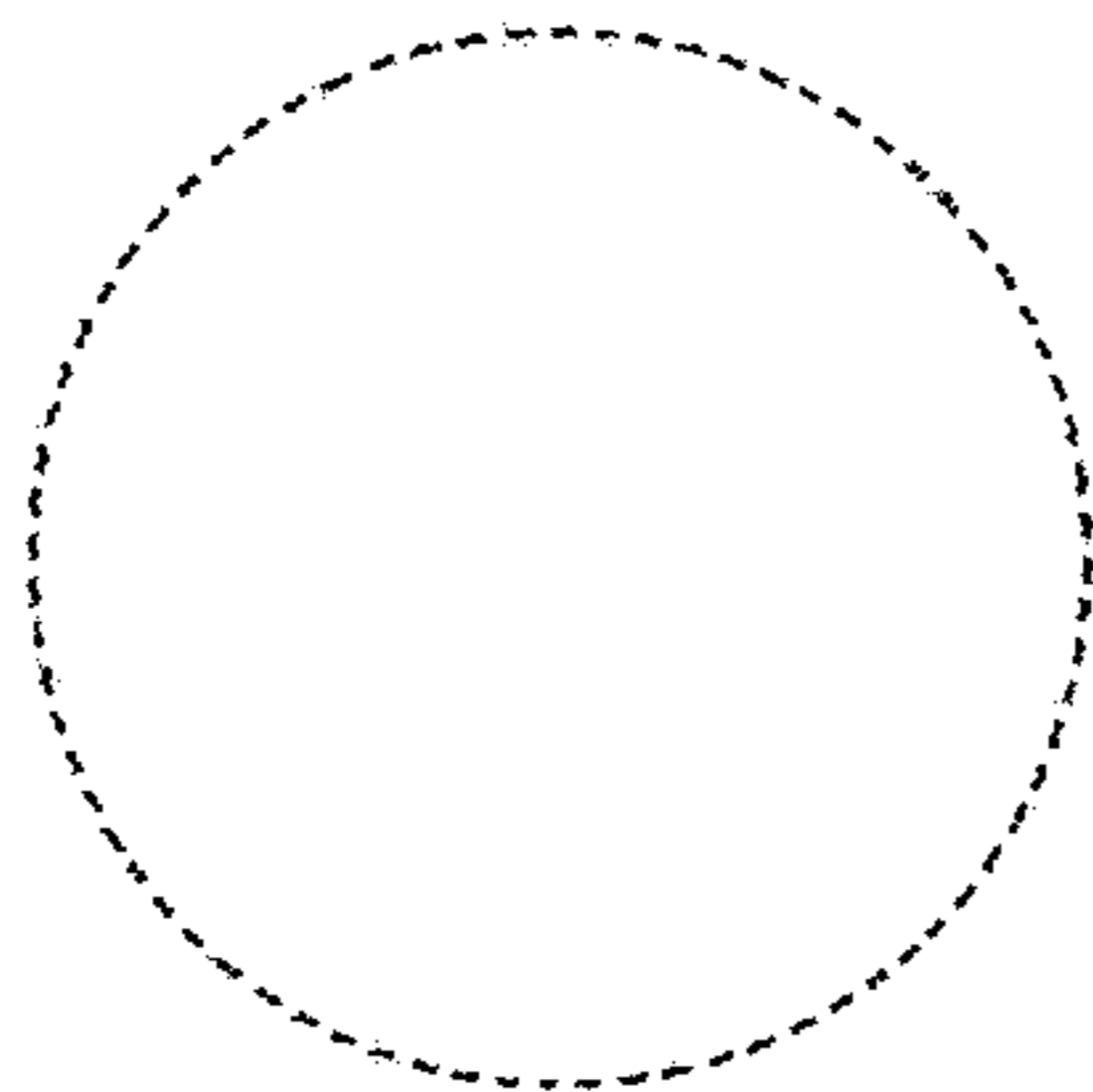


FIG. 7

