



US00D805266S

(12) **United States Design Patent**
Cheng

(10) **Patent No.:** **US D805,266 S**

(45) **Date of Patent:** **** Dec. 12, 2017**

(54) **DUST COLLECTOR**

(71) Applicant: **SAN FORD MACHINERY CO., LTD.**, Taichung (TW)

(72) Inventor: **Yuan-Tai Cheng**, Taichung (TW)

(73) Assignee: **SAN FORD MACHINERY CO., LTD.**, Taichung (TW)

(**) Term: **15 Years**

(21) Appl. No.: **29/581,222**

(22) Filed: **Oct. 17, 2016**

(51) **LOC (10) Cl.** **15-05**

(52) **U.S. Cl.**
USPC **D32/21**

(58) **Field of Classification Search**
USPC D32/17, 21, 22, 31, 34
CPC . A47L 9/32; A47L 9/325; A47L 9/327; A47L 9/20; A47L 5/28; A47L 5/30; A47L 5/34
See application file for complete search history.

(56) **References Cited**

U.S. PATENT DOCUMENTS

D289,096 S * 3/1987 Larsen D32/21
D501,964 S * 2/2005 Cheng D32/21

D531,769 S * 11/2006 Lin D32/21
D533,694 S * 12/2006 Cheng D32/21
D566,350 S * 4/2008 Leasure D32/21
D593,264 S * 5/2009 Lin D32/21
D596,358 S * 7/2009 Witter D32/21
D604,464 S * 11/2009 Witter D32/21
D629,576 S * 12/2010 Cheng D32/21
D651,776 S * 1/2012 Cheng D32/21
D690,064 S * 9/2013 Witter D32/21

* cited by examiner

Primary Examiner — Ruth McInroy

(74) *Attorney, Agent, or Firm* — Ming Chow; Sinorica, LLC

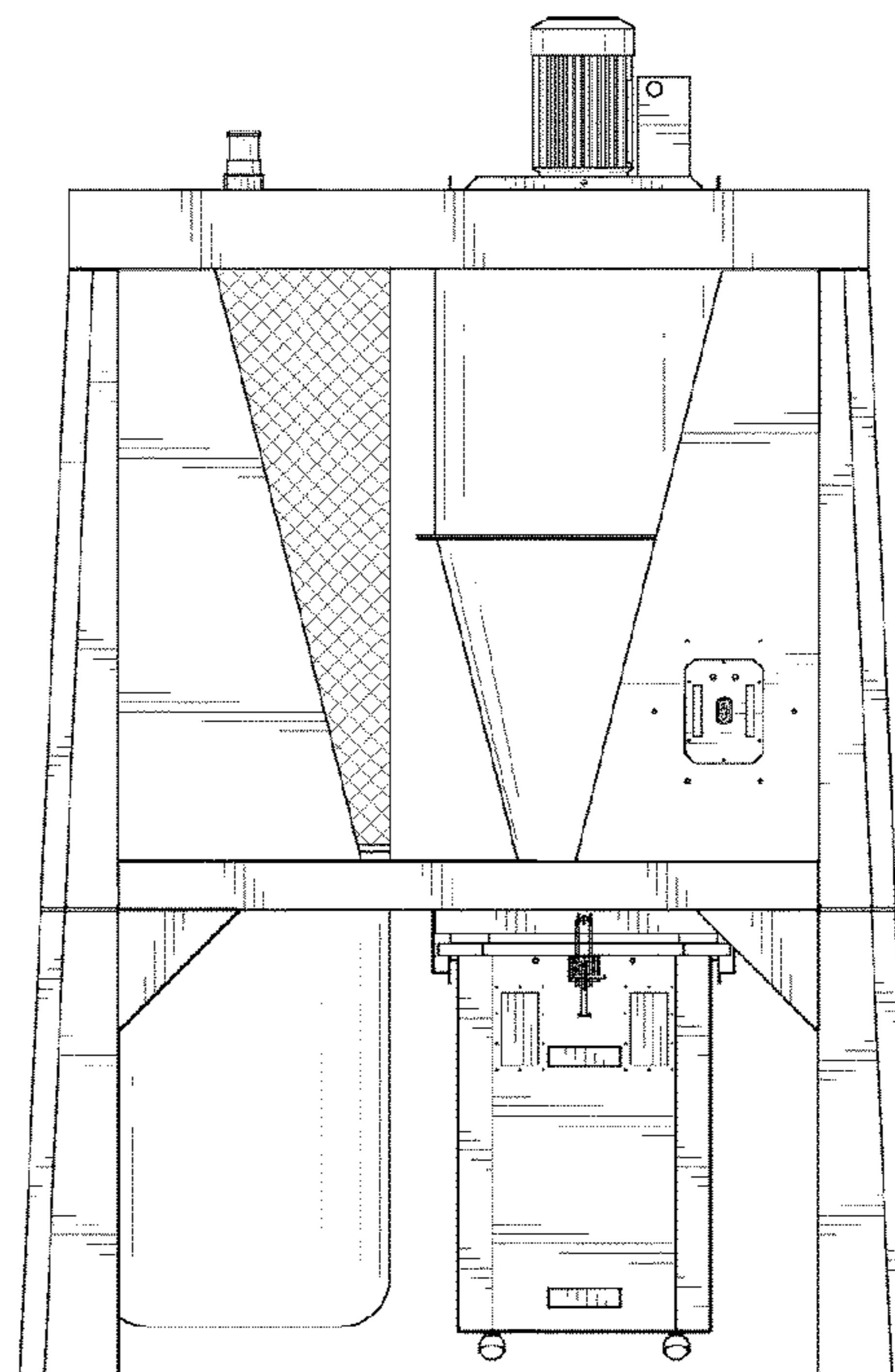
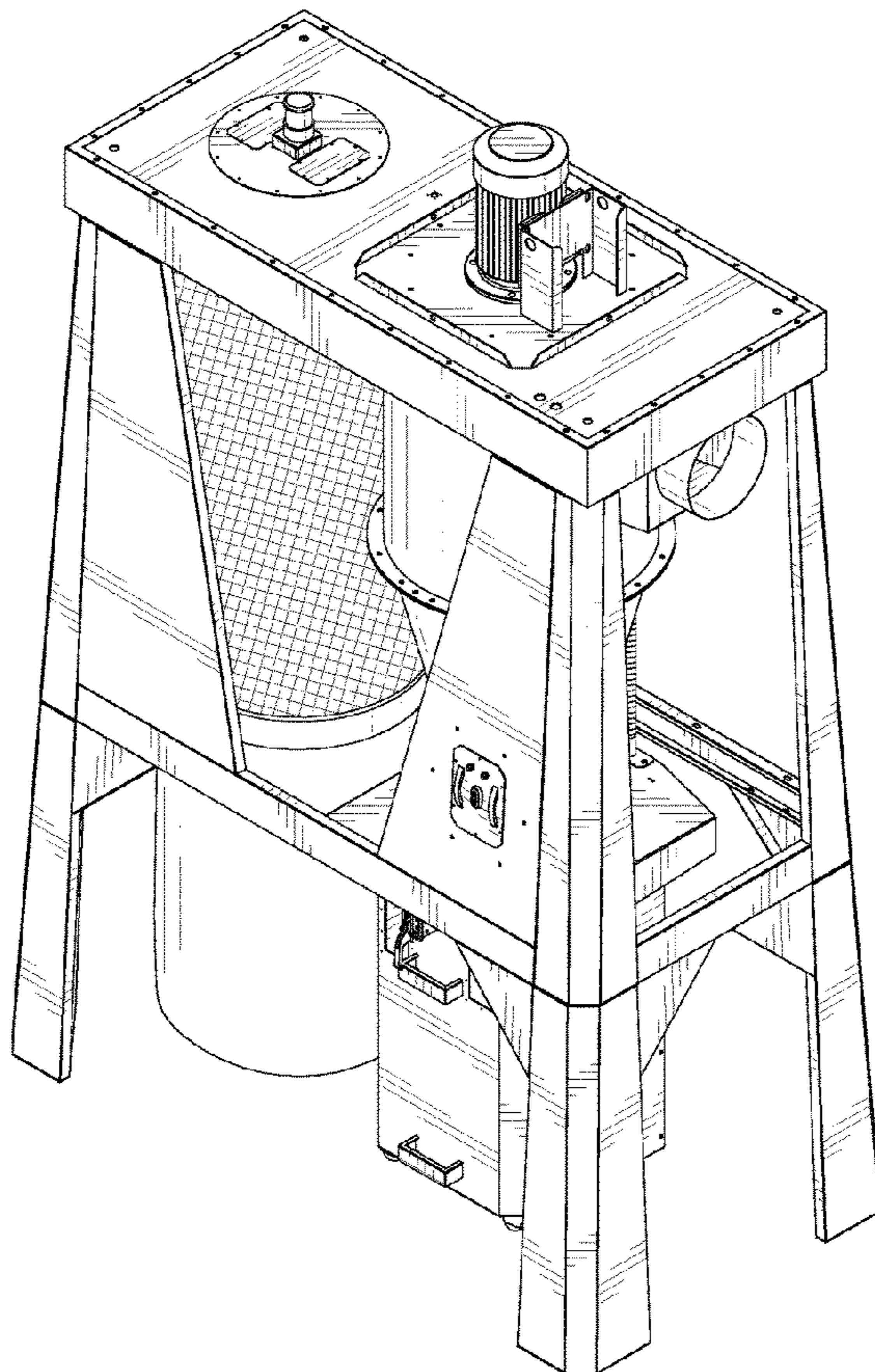
(57) **CLAIM**

I claim the ornamental design for a dust collector, as shown and described.

DESCRIPTION

FIG. 1 is a front perspective view of a dust collector showing my new design;
FIG. 2 is a front elevational view thereof;
FIG. 3 is a rear elevational view thereof.
FIG. 4 is a left side elevational view thereof;
FIG. 5 is a right side elevational view thereof;
FIG. 6 is a top plan view thereof; and,
FIG. 7 is a bottom plan view thereof.

1 Claim, 6 Drawing Sheets



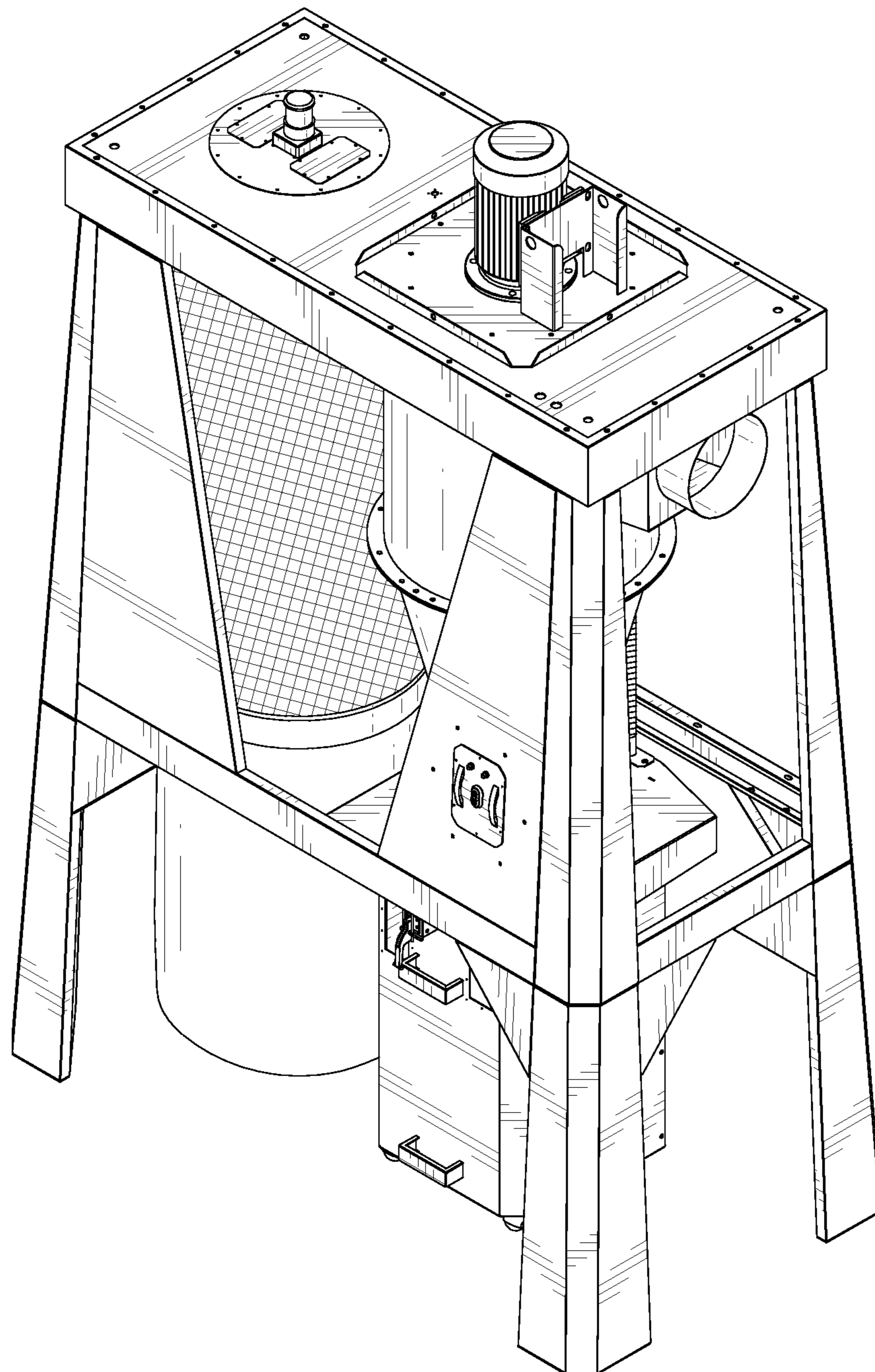


FIG. 1

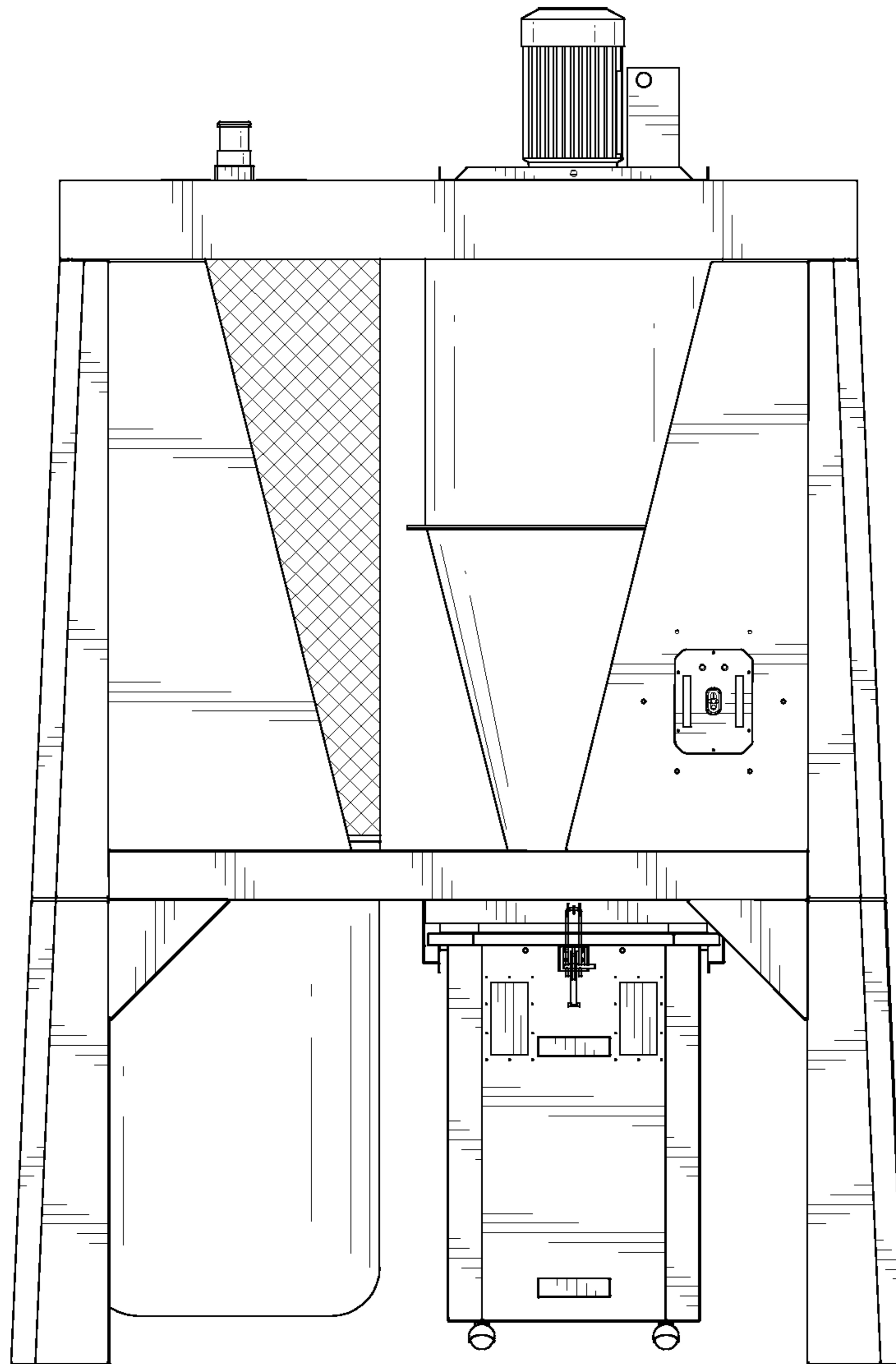


FIG. 2

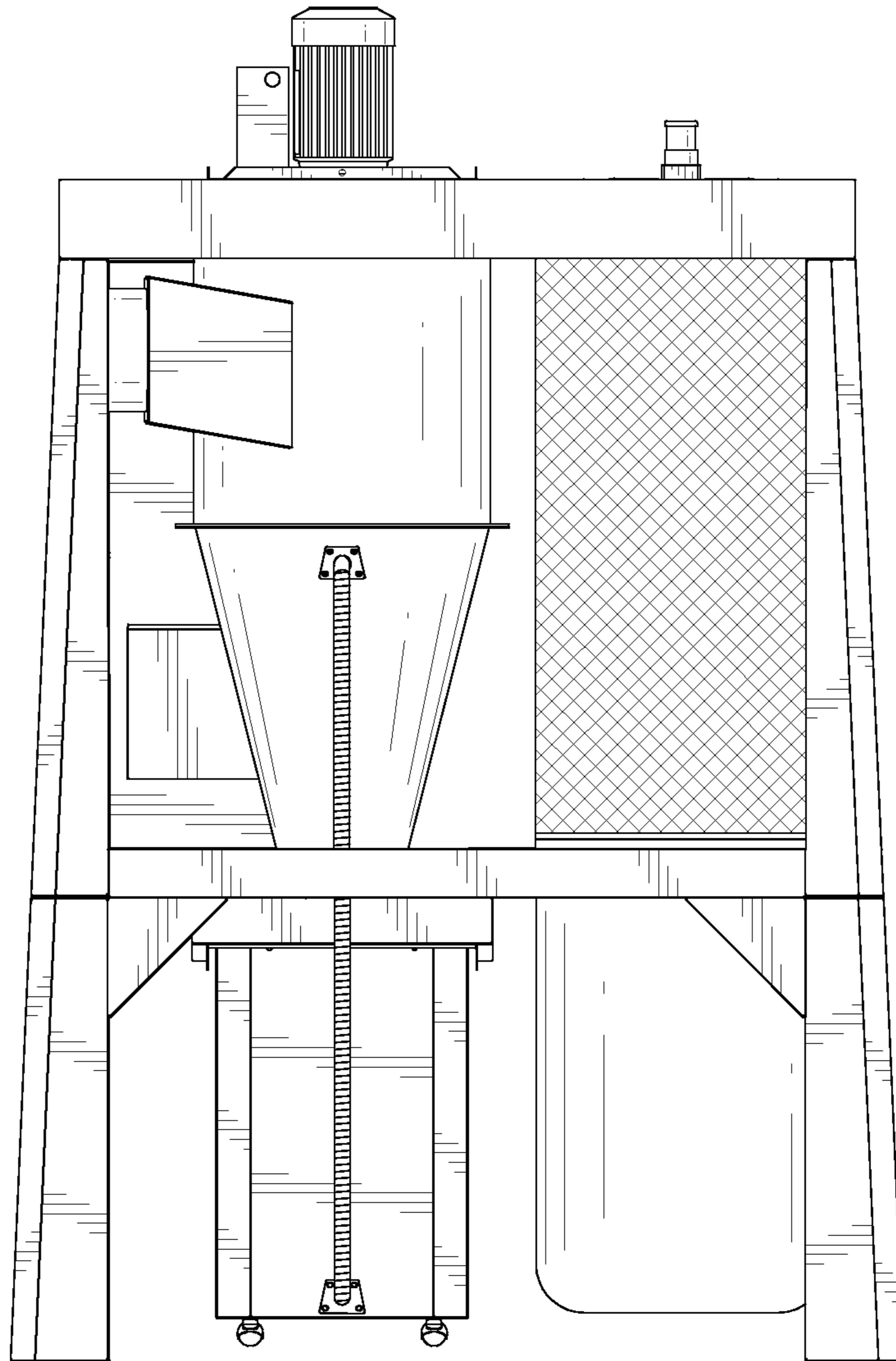


FIG. 3

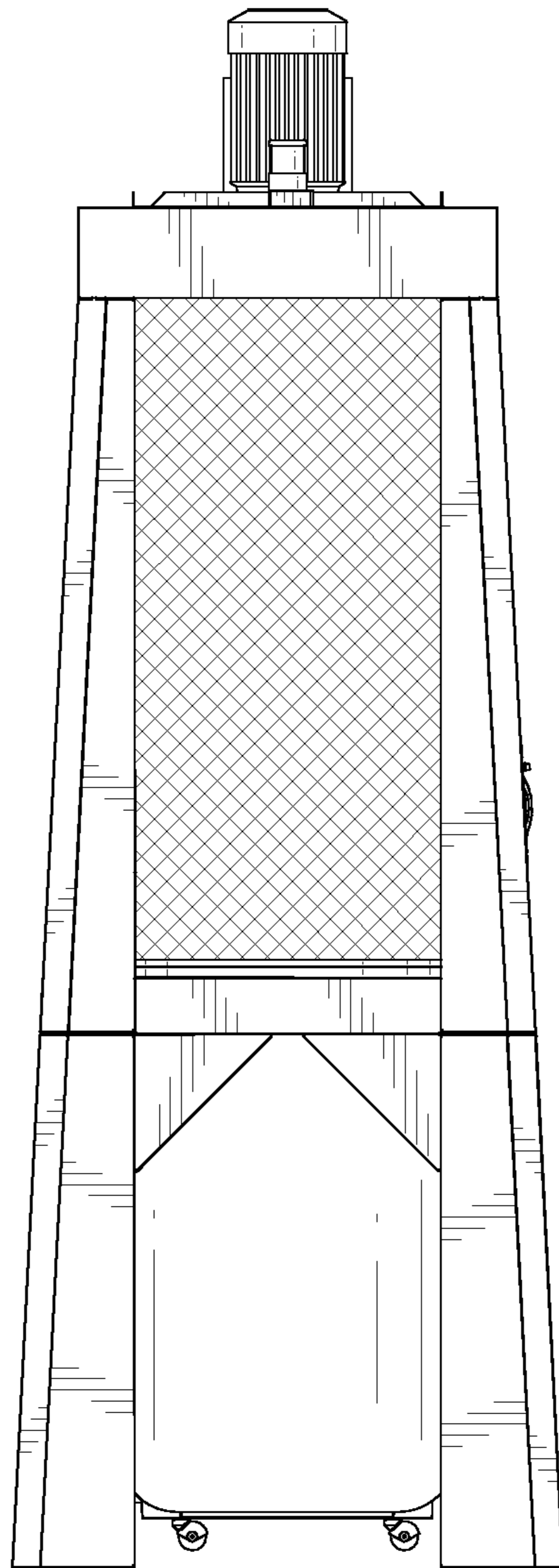


FIG. 4

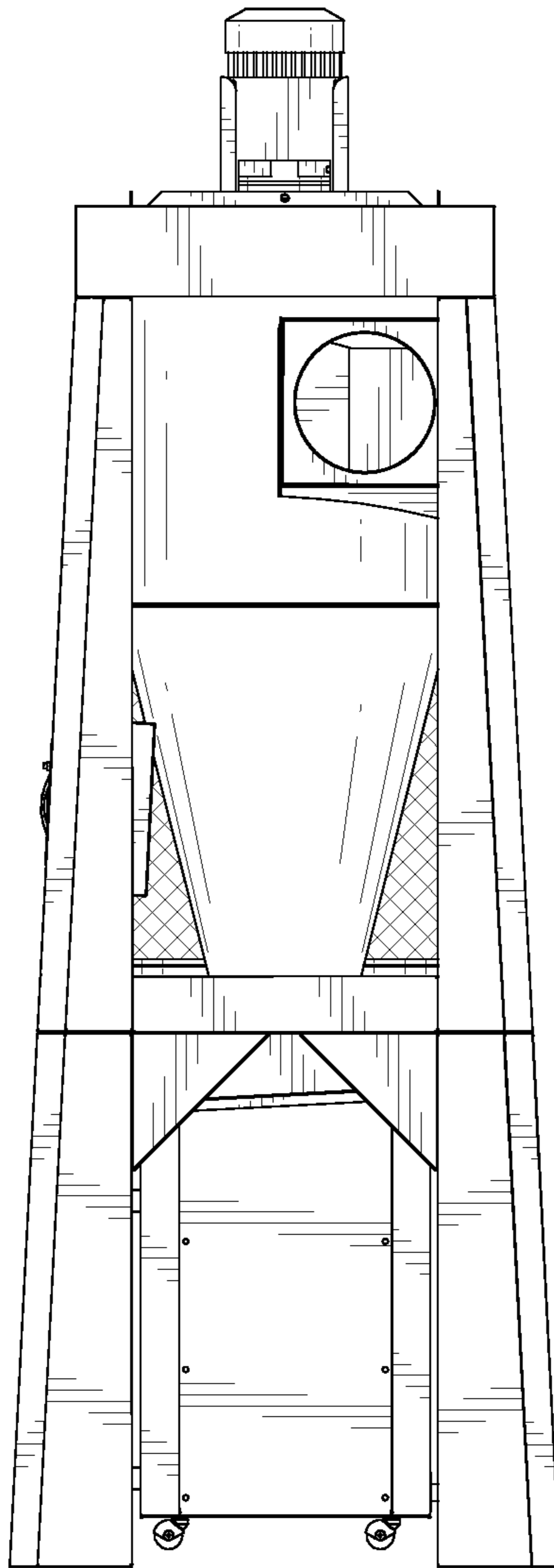


FIG. 5

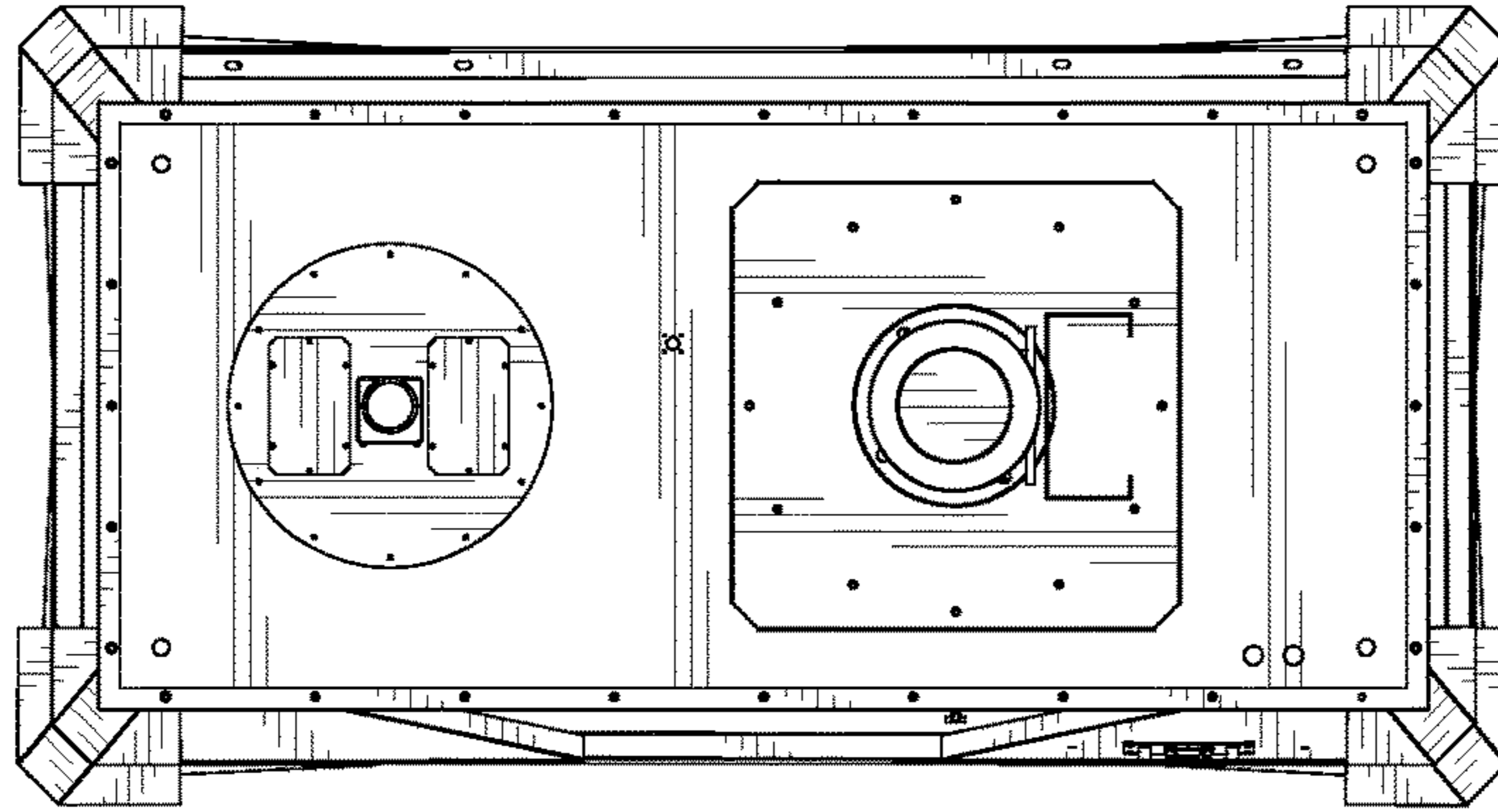


FIG. 6

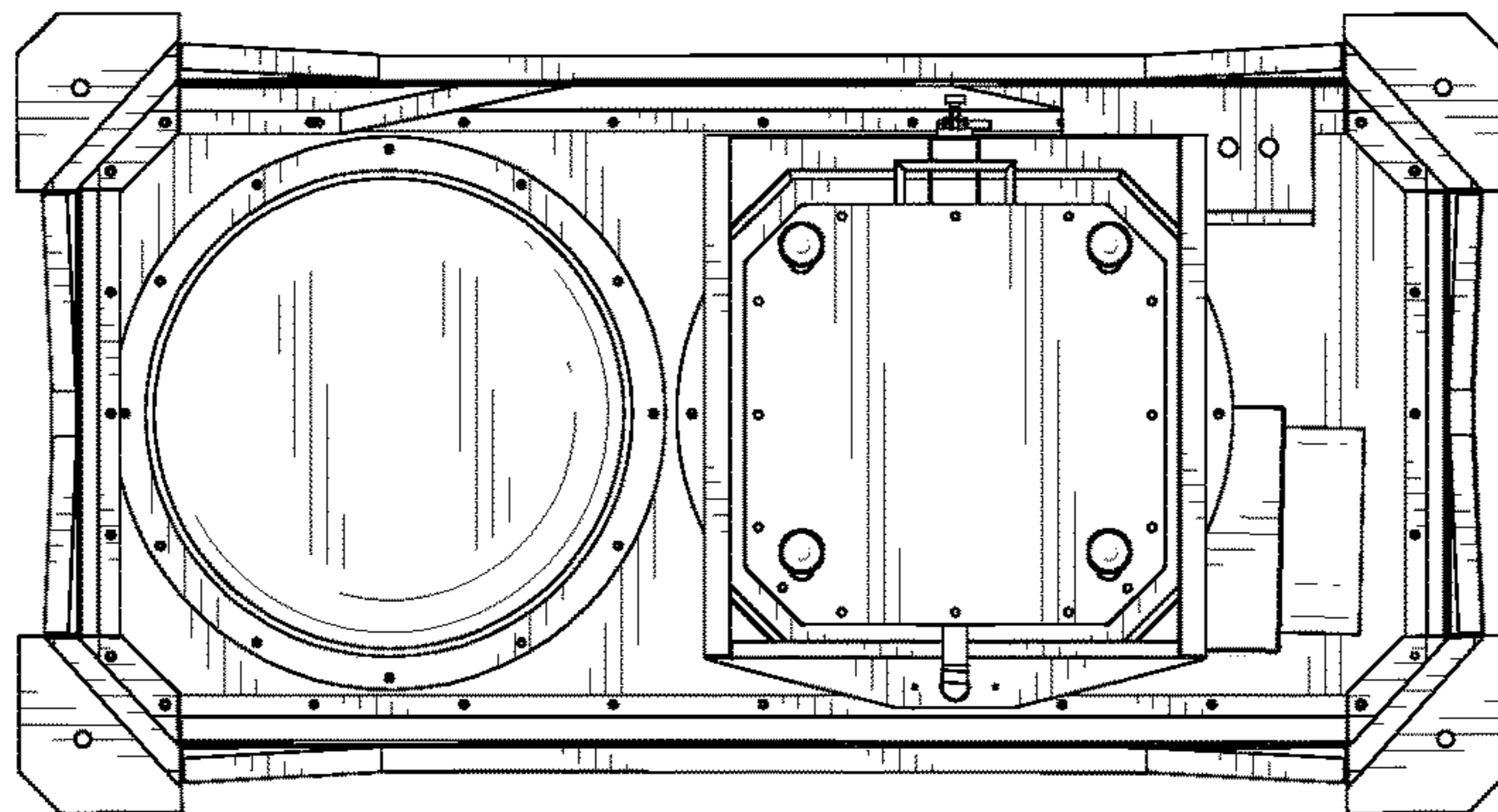


FIG. 7