



US00D805265S

(12) **United States Design Patent**
Blizzard

(10) **Patent No.:** **US D805,265 S**

(45) **Date of Patent:** **** Dec. 12, 2017**

(54) **PET TAG HOLDER**

3/201–3/207; A44C 3/00–3/008; A44C
15/0025; A44C 15/005; A44C
25/00–25/004; A44C 25/007;

(Continued)

(71) Applicant: **Thundershirt, LLC**, Durham, NC (US)

(72) Inventor: **Philip J. Blizzard**, Durham, NC (US)

(73) Assignee: **THUNDERSHIRT, LLC**, Durham, NC (US)

(56) **References Cited**

U.S. PATENT DOCUMENTS

513,749 A * 1/1894 Atherton A45C 1/06
150/147

D31,985 S * 12/1899 Stephenson D24/207

(Continued)

(**) Term: **15 Years**

(21) Appl. No.: **29/538,577**

(22) Filed: **Sep. 4, 2015**

(51) **LOC (10) Cl.** **30-03**

(52) **U.S. Cl.**

USPC **D30/199; D30/155**

(58) **Field of Classification Search**

USPC D30/155, 152, 153, 199; 119/865, 655,
119/51.02, 857–860, 719–721, 792, 795;
D11/7, 79, 95, 97, 99, 107–108, 82, 137,
D11/117–136, 157, 158, 160, 162, 164,
D11/105, 200, 212, 218, 80; D2/976,
D2/639, 857; D8/1, 34, 38, 18; D10/33,
D10/104.1, 104.2; D7/619.2;
D20/22–32, 10, 43; D3/207–212,
D3/270–271.3, 201, 328, 215, 247, 248,
D3/203.3, 323, 318; D26/38;
D6/302–304, 634; D24/199; D21/610,
D21/611, 626; 40/310, 665, 300–303,
40/633, 299.01, 323, 649–651, 654.01,
40/661, 661.11–671, 1, 1.5, 1.6, 124.06,
40/209, 642.02, 634, 775, 776; 239/57;
362/812; 206/37.1, 38.1, 0.8, 0.81, 0.815,
206/0.82, 38, 6.1, 301, 307, 308.1, 477,
206/483, 493, 37, 527, 449; 70/456 R,
70/456 B, 458, 459, 457; 24/3.6; 63/40;
D9/424, 422, 757, 707; D17/20;
607/115; D28/77; 383/16, 901, 109, 7,
383/36, 96, 105, 110, 119

CPC A01K 11/00–11/004; A01K 27/00–27/009;
A01K 29/00; A01K 29/005; G09F 3/185;
G09F 3/18; G09F 3/20; G09F

Primary Examiner — Susan Moon Lee

(74) *Attorney, Agent, or Firm* — Michael G. Johnston;
Moore & Van Allen, PLLC

(57) **CLAIM**

The ornamental design for a pet tag holder, as shown and described.

DESCRIPTION

FIG. 1 is a top perspective view of a pet tag holder in accordance with my design;

FIG. 2 is a bottom perspective view thereof;

FIG. 3 is a front elevation view thereof;

FIG. 4 is a rear elevation view thereof;

FIG. 5 is a right side elevation view thereof;

FIG. 6 is a left side elevation view thereof;

FIG. 7 is a top plan view thereof;

FIG. 8 is a bottom plan view thereof;

FIG. 9 is a top perspective view of a second embodiment of the pet tag holder;

FIG. 10 is a bottom perspective view thereof;

FIG. 11 is a front elevation view thereof;

FIG. 12 is a rear elevation view thereof;

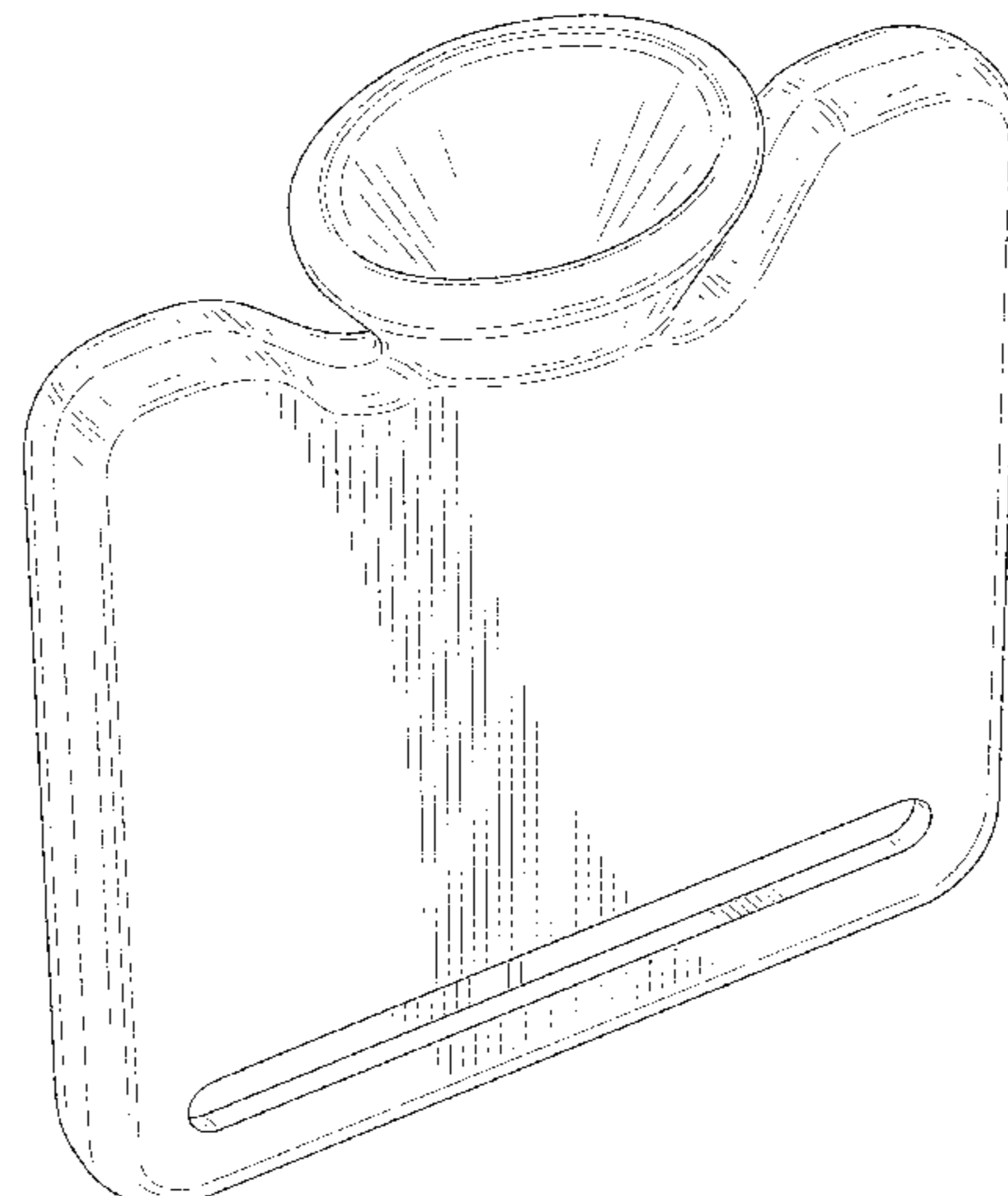
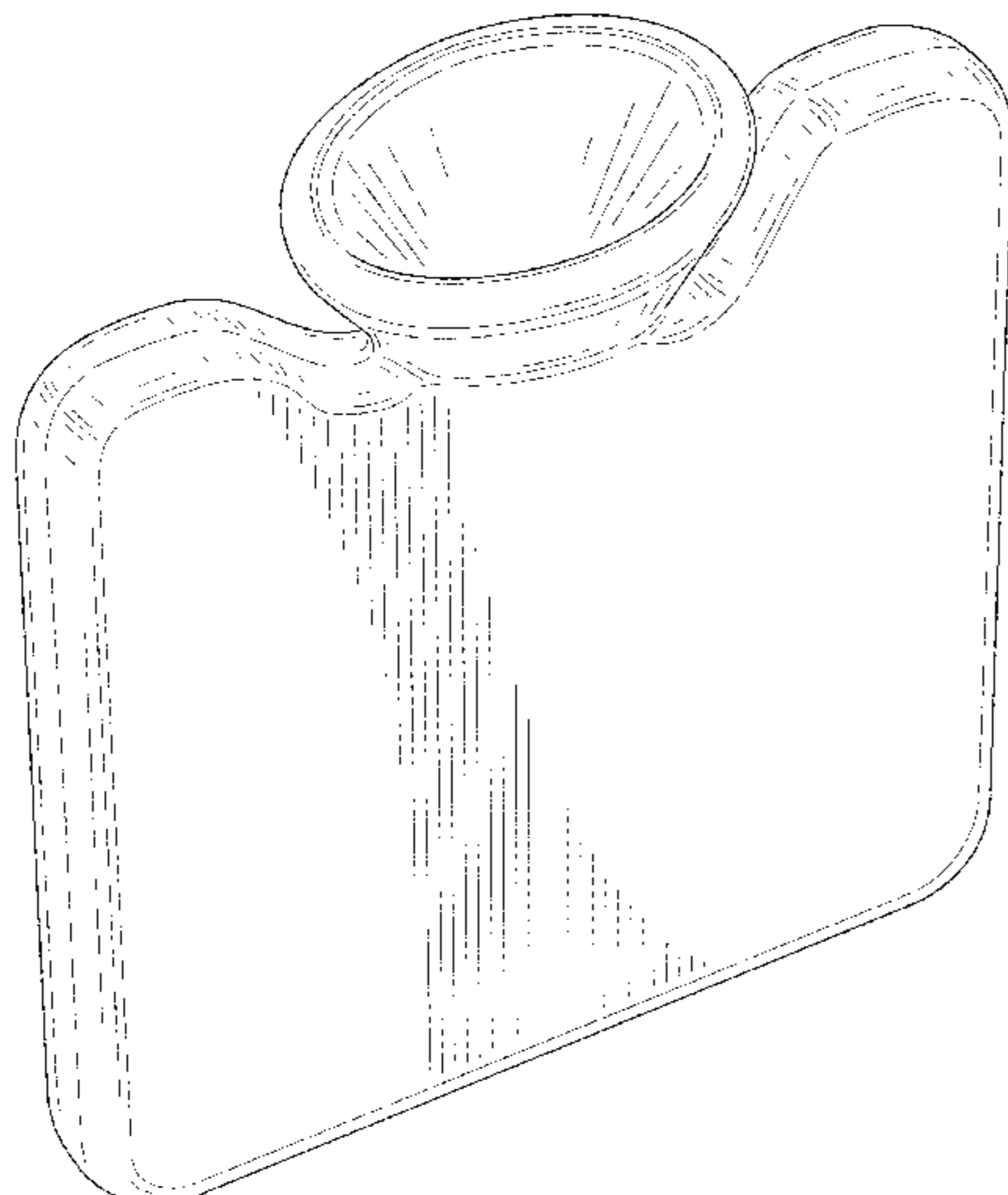
FIG. 13 is a right side elevation view thereof;

FIG. 14 is a left side elevation view thereof;

FIG. 15 is a top plan view thereof; and,

FIG. 16 is a bottom plan view thereof.

1 Claim, 12 Drawing Sheets



(58) **Field of Classification Search**
 CPC ... A44C 25/008; A44C 27/002; A44C 27/003;
 A47G 33/08; A47G 33/0809; A47G
 2033/0827; B44C 5/00; B44C 5/02; B44C
 5/06; B44C 7/00; G10D 3/163; A61F
 7/02; A61F 7/0241; A61F 7/08; A61F
 7/086; A61F 2007/0203; A61F
 2007/0215; A61F 2007/0219; A61F
 2007/022; A61F 2007/0222; A61F
 2007/0257; A61F 2007/0277; A61F
 2007/0274; Y10S 383/901; B65D
 33/2591; B65D 39/08; B29D 22/006
 See application file for complete search history.

(56) **References Cited**

U.S. PATENT DOCUMENTS

D34,274 S * 3/1901 Meinecke D24/207
 D34,622 S * 6/1901 Meinecke D24/207
 D35,373 S * 12/1901 Miller D24/207
 D46,673 S * 11/1914 Hogan D24/207
 D46,791 S * 12/1914 Miller D24/207
 D47,763 S * 8/1915 Stauffer D24/207
 1,272,284 A * 7/1918 Magsby B42F 19/00
 40/641
 1,452,250 A 4/1923 Moore et al.
 1,554,397 A * 9/1925 Beldam A61F 7/08
 137/592
 1,605,141 A * 11/1926 Pyle A61F 7/08
 128/DIG. 24
 1,607,963 A * 11/1926 Patterson A61F 7/08
 383/109
 1,670,343 A * 5/1928 Clemens A45C 11/18
 206/39
 1,829,414 A * 10/1931 Lapkin G01K 1/14
 374/141
 2,024,908 A * 12/1935 Blum B29D 22/006
 383/105
 D115,012 S * 5/1939 Tiltz D24/207
 D118,457 S * 1/1940 Smith D24/207
 2,200,395 A * 5/1940 Lobl A61F 7/086
 220/DIG. 19
 D121,601 S * 7/1940 Smith D24/207
 D136,753 S 11/1943 Lyon
 2,793,451 A 5/1957 Goldsholl
 2,819,791 A * 1/1958 Coburn B65D 75/38
 206/364
 3,238,984 A * 3/1966 Shurtleff A45F 3/20
 141/316
 D220,597 S * 4/1971 Dawson et al. D3/303
 3,848,650 A * 11/1974 Wilson-Haffenden .. A61F 7/086
 383/901
 4,034,787 A * 7/1977 Ellis A61F 7/08
 219/528
 4,061,897 A * 12/1977 Thykeson A61F 7/007
 219/211
 4,169,493 A * 10/1979 Segalowicz A61F 7/08
 383/901
 D254,660 S * 4/1980 Stahel, II D11/146
 4,215,497 A 8/1980 Levy
 4,259,798 A 4/1981 McConnell
 D271,986 S * 12/1983 Belser D19/10
 D274,099 S * 6/1984 Belser D19/10
 4,616,435 A 10/1986 Perfect

4,704,770 A * 11/1987 Minami A44B 19/262
 24/431
 4,739,566 A 4/1988 Smith
 D322,816 S 12/1991 Immerman
 D327,507 S 6/1992 Wahl
 5,476,490 A * 12/1995 Silver A61F 7/03
 128/890
 D369,464 S 5/1996 Williams et al.
 D381,834 S * 8/1997 Potter D6/679
 D385,417 S * 10/1997 White 224/666
 D387,812 S * 12/1997 Liu D20/22
 D393,149 S * 4/1998 Swanston D3/247
 D403,152 S * 12/1998 Parad D3/201
 D408,988 S * 5/1999 Barber D3/215
 6,035,564 A * 3/2000 Cosmo A44C 3/001
 24/3.11
 D431,719 S * 10/2000 Mucarquer D3/247
 6,357,153 B1 * 3/2002 Gelardi G03B 25/02
 40/454
 D470,657 S * 2/2003 Kawamura D11/216
 6,543,161 B2 4/2003 Chin
 D477,909 S * 8/2003 Harris D3/247
 D480,182 S 9/2003 McAnally
 D490,113 S 5/2004 Nykoluk
 6,735,894 B2 5/2004 Crusenberry et al.
 7,267,081 B2 9/2007 Steinbacher
 D557,343 S * 12/2007 Feibelman D20/22
 7,308,771 B2 * 12/2007 Memelink G09F 3/20
 150/147
 D561,411 S 2/2008 Pipenur
 D586,815 S 2/2009 Friedman
 D620,984 S * 8/2010 Rose D20/27
 7,877,909 B1 2/2011 Hagen et al.
 D634,117 S 3/2011 Morrish et al.
 D638,477 S * 5/2011 Kado D20/27
 D640,866 S 7/2011 Schmiemann
 8,312,654 B2 11/2012 Chang et al.
 D677,053 S * 3/2013 Lyons D3/300
 D712,297 S * 9/2014 Taylor-Cattapan D11/79
 D716,049 S * 10/2014 Fair D3/303
 D728,028 S 4/2015 Michalscheck
 D728,230 S * 5/2015 Oas D3/247
 D736,520 S * 8/2015 Gross D3/300
 D751,148 S * 3/2016 Glass D19/2
 9,652,909 B1 * 5/2017 McWilliam G07C 9/00007
 2003/0033737 A1 2/2003 Bradshaw et al.
 2007/0130814 A1 6/2007 Block
 2007/0283901 A1 12/2007 LeVally
 2008/0000956 A1 * 1/2008 Collins B42F 7/02
 232/44
 2008/0016739 A1 * 1/2008 Malcolm G09F 3/20
 40/649
 2009/0084012 A1 * 4/2009 Kung G09F 3/20
 40/642.02
 2009/0100731 A1 * 4/2009 Elvin A45C 13/42
 40/655
 2010/0242860 A1 9/2010 Chaffin
 2012/0019385 A1 * 1/2012 Brodzik G08B 13/2434
 340/572.9
 2012/0238801 A1 * 9/2012 McQueen A61M 16/00
 600/27
 2014/0283424 A1 9/2014 Cope
 2015/0123799 A1 * 5/2015 Strassburger G08B 13/2434
 340/572.9
 2017/0069234 A1 * 3/2017 Blizzard A01K 11/00

* cited by examiner

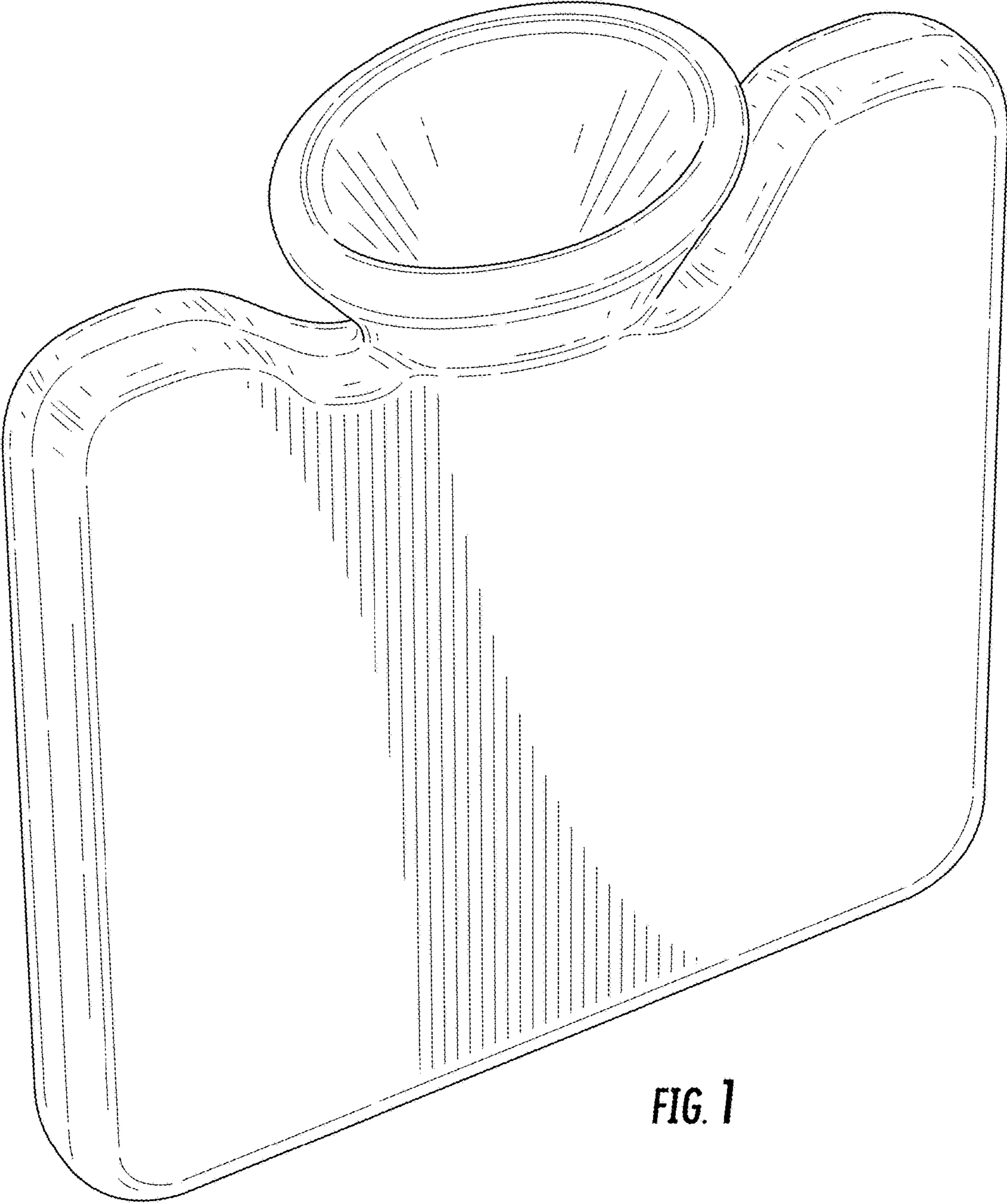


FIG. 1

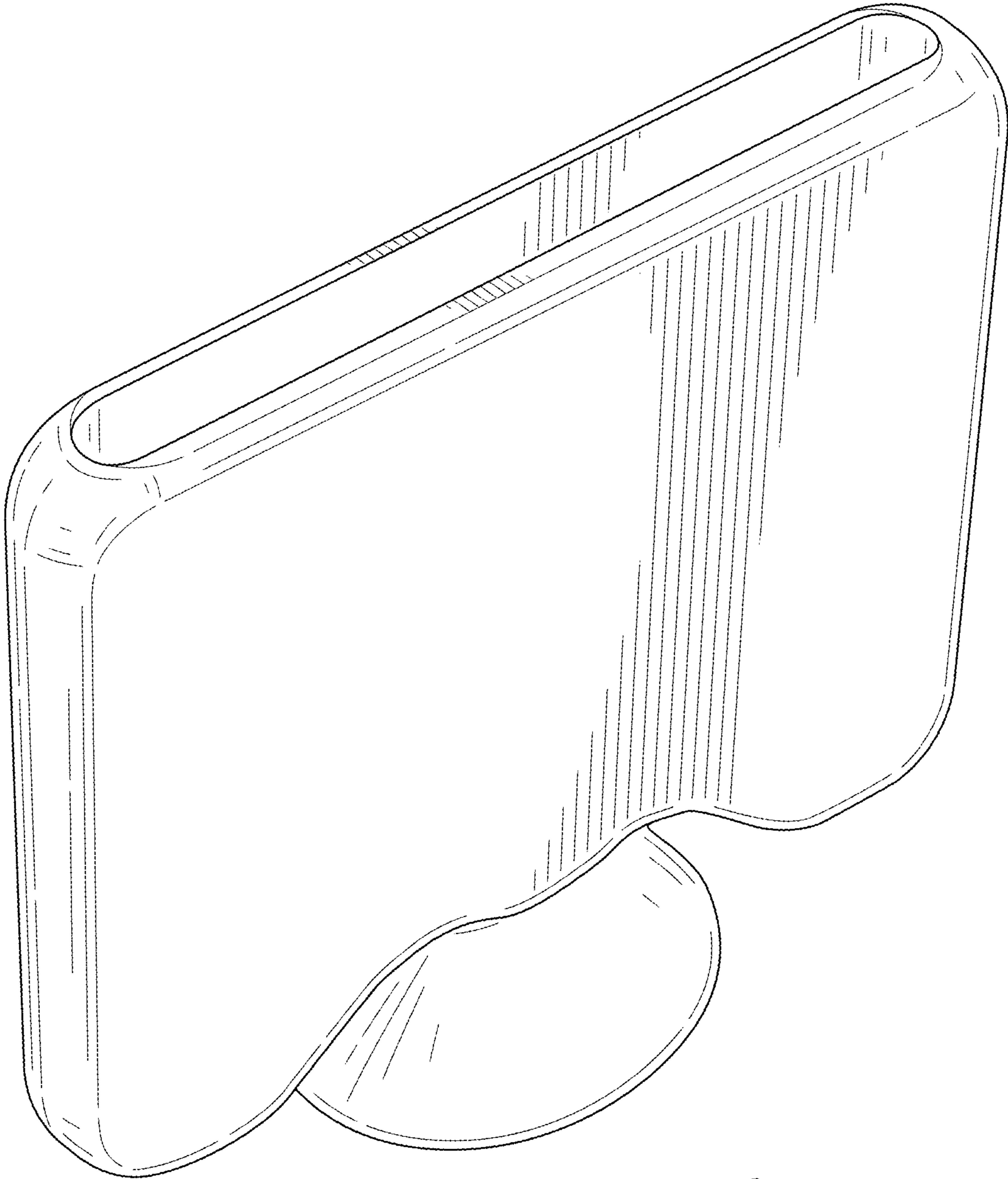


FIG. 2

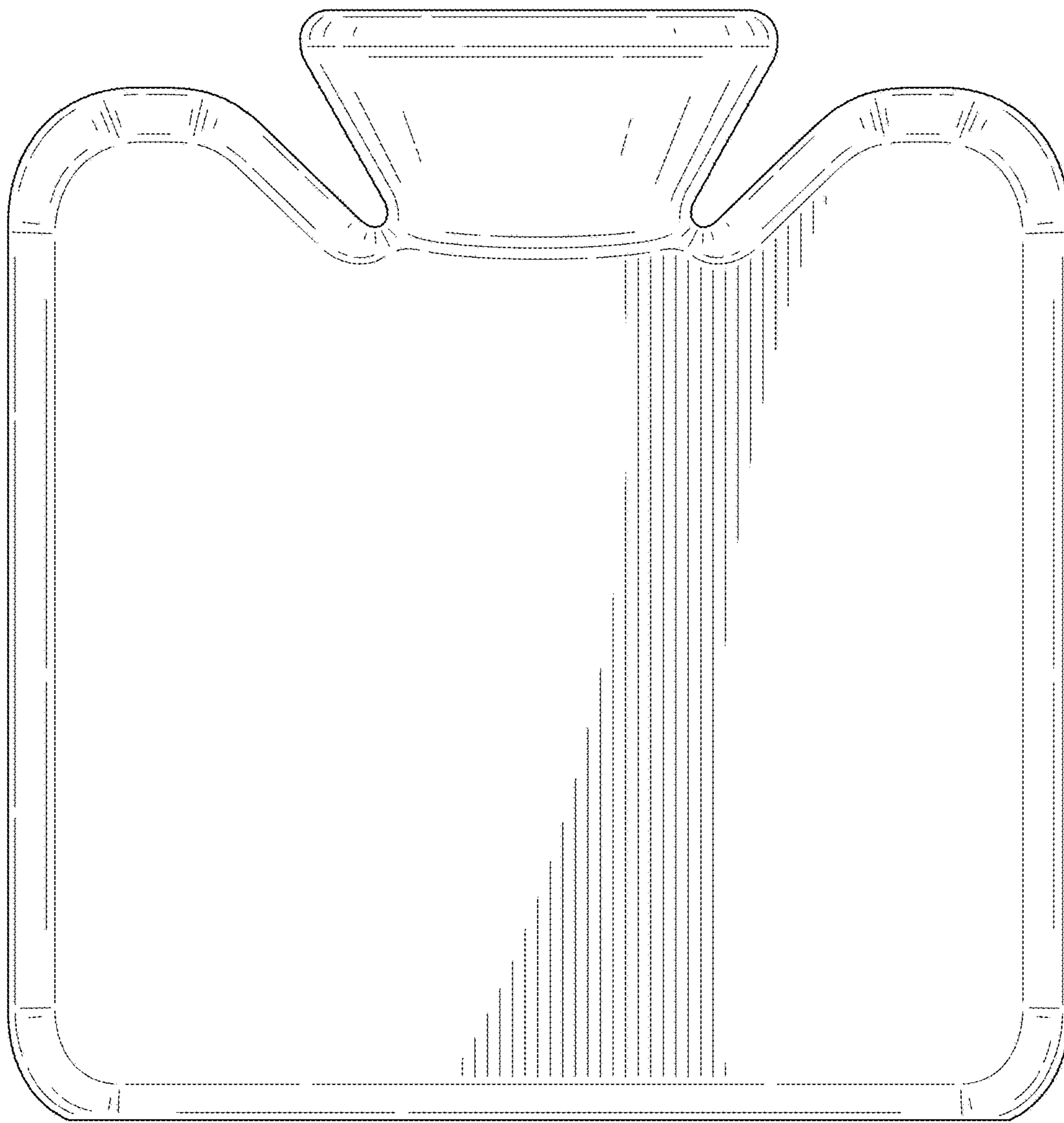


FIG. 3

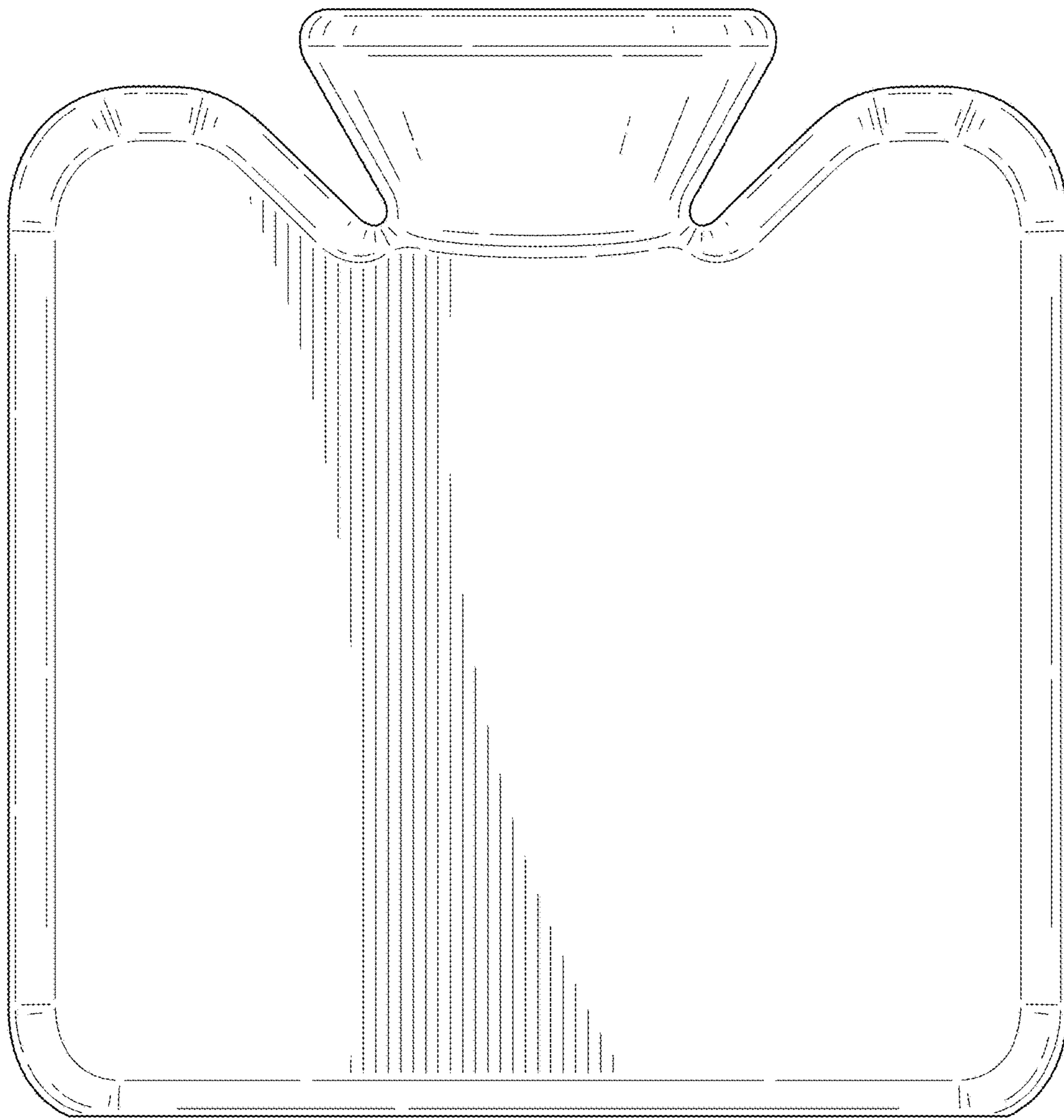


FIG. 4

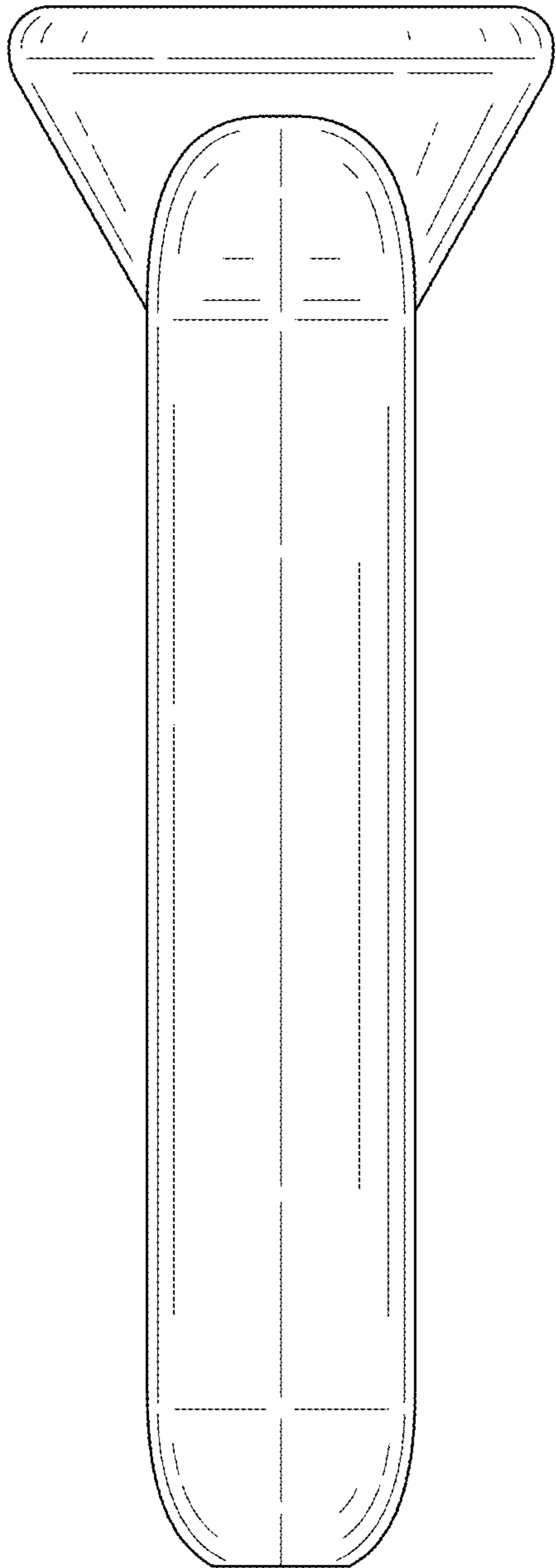


FIG. 5

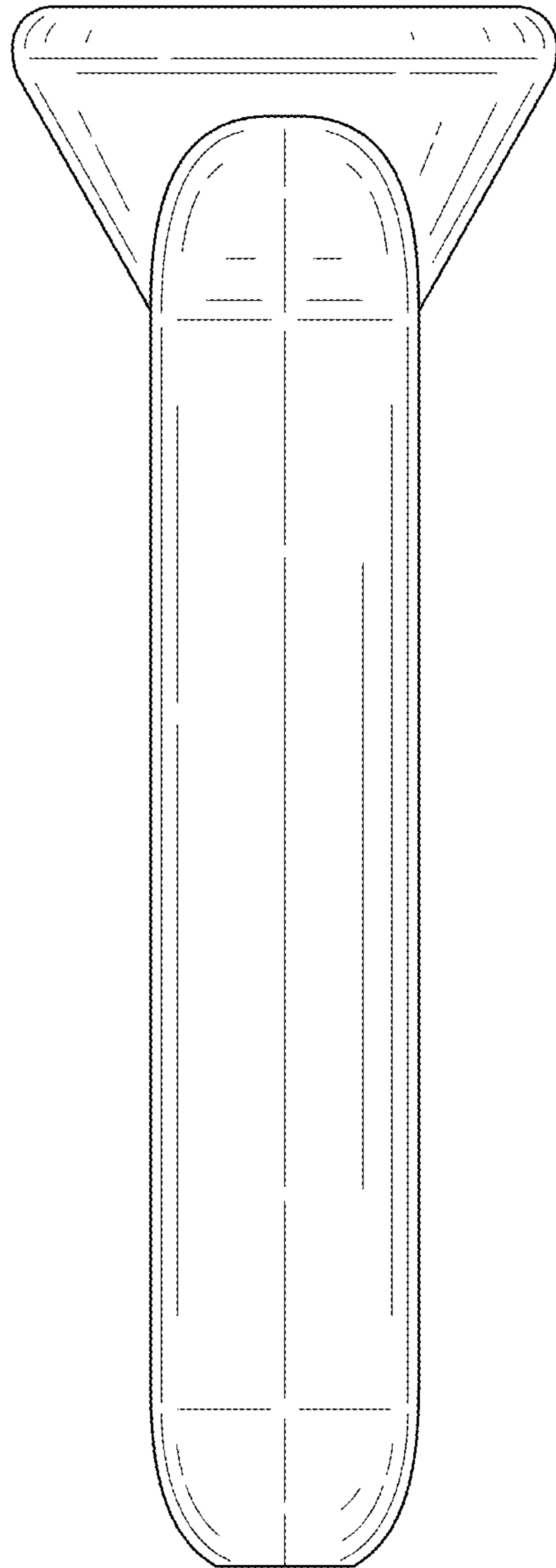


FIG. 6

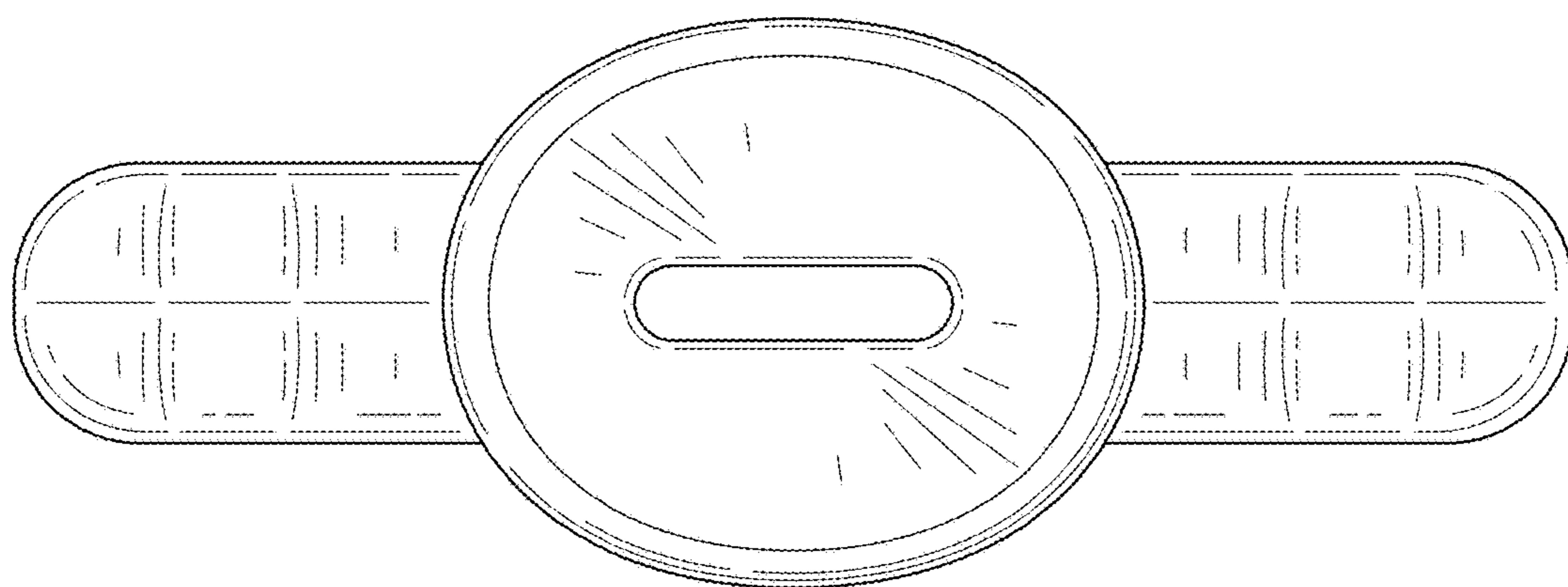


FIG. 7

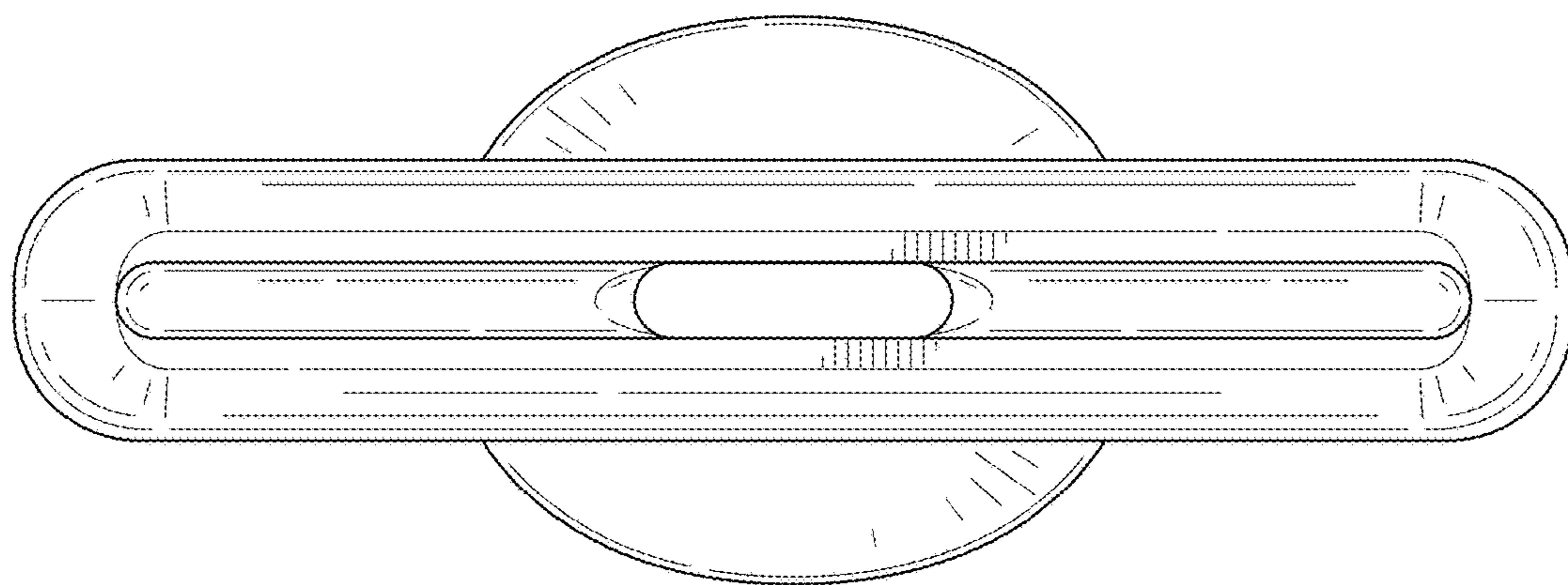


FIG. 8

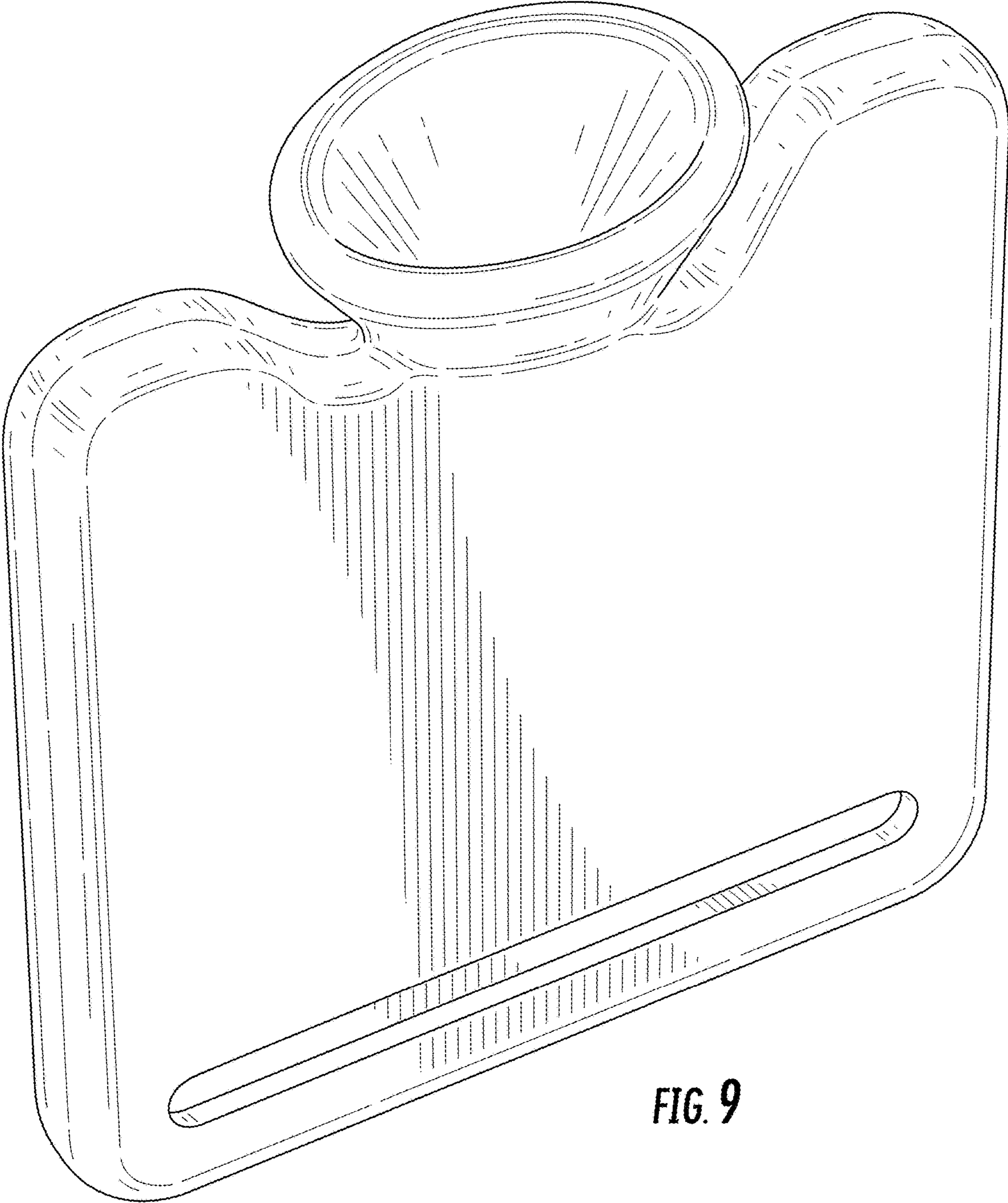


FIG. 9

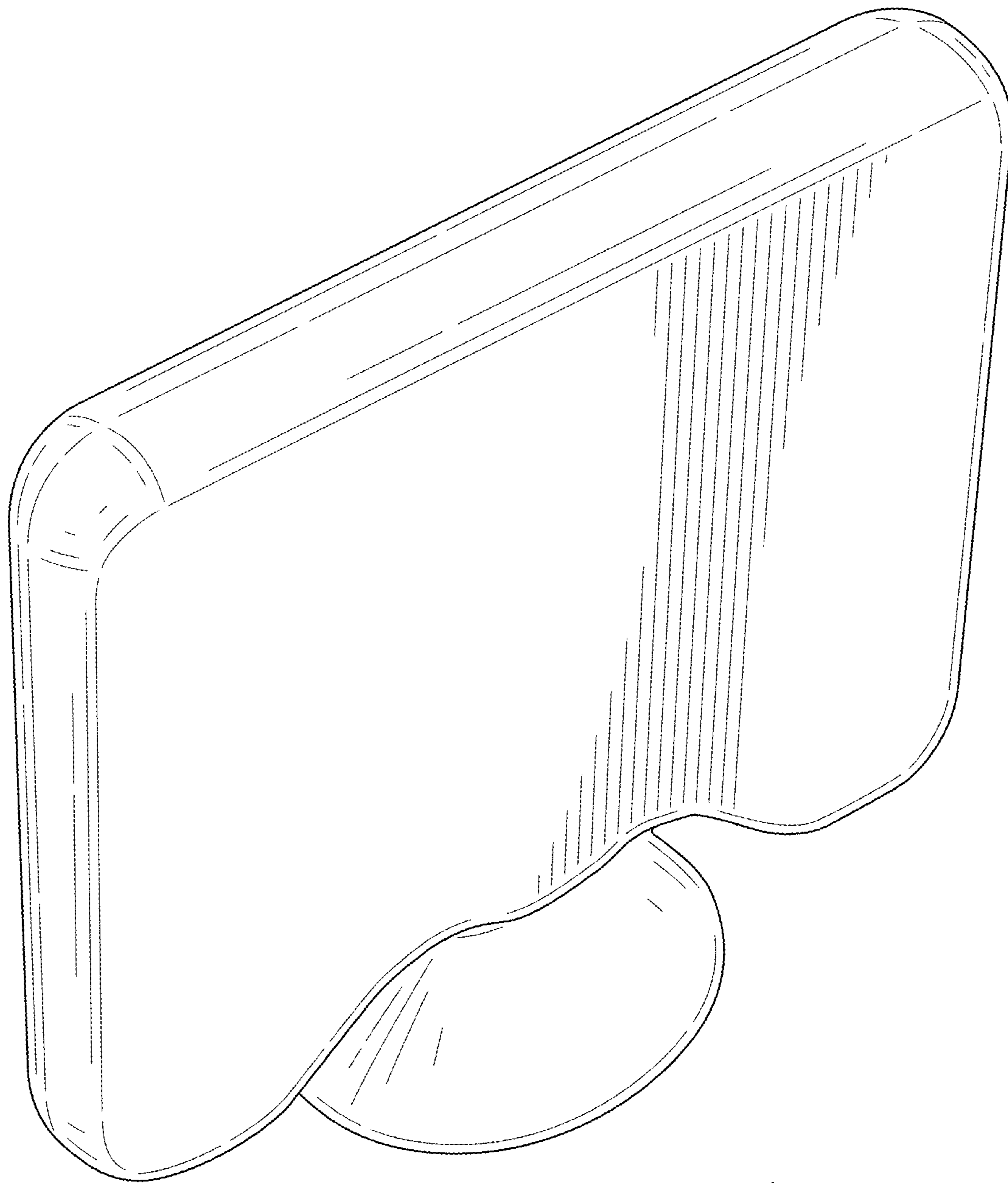


FIG. 10

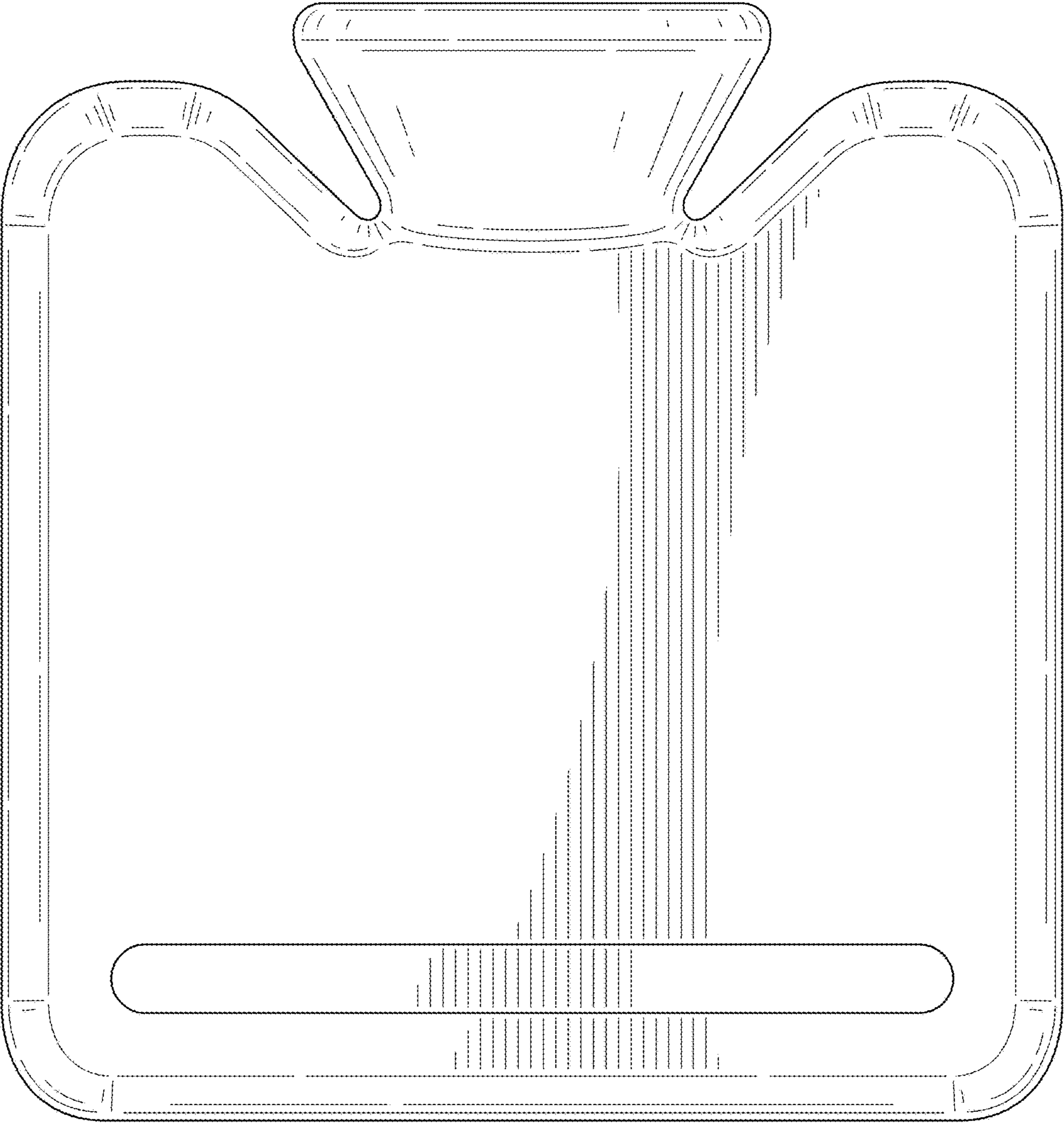


FIG. 11

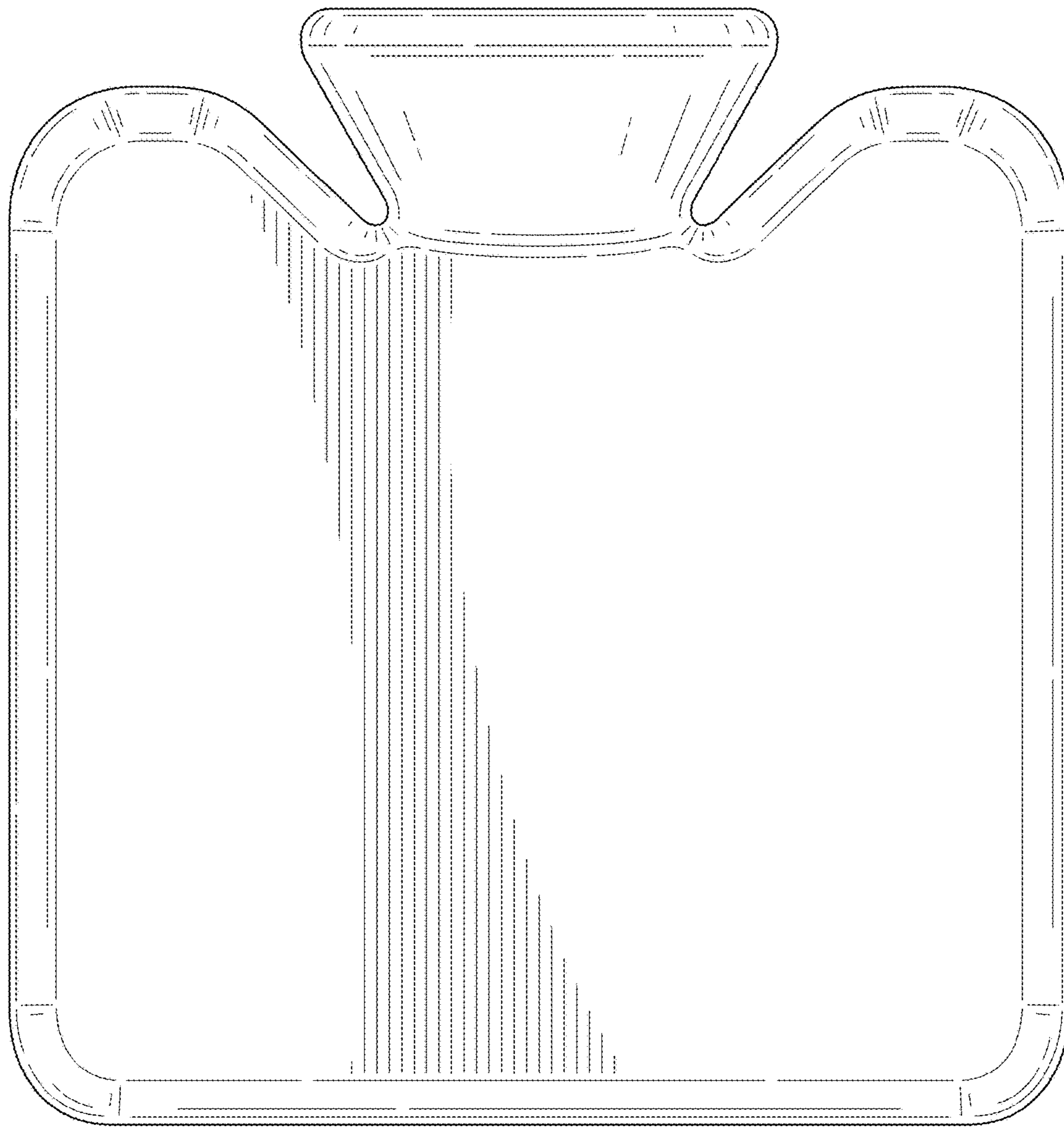


FIG. 12

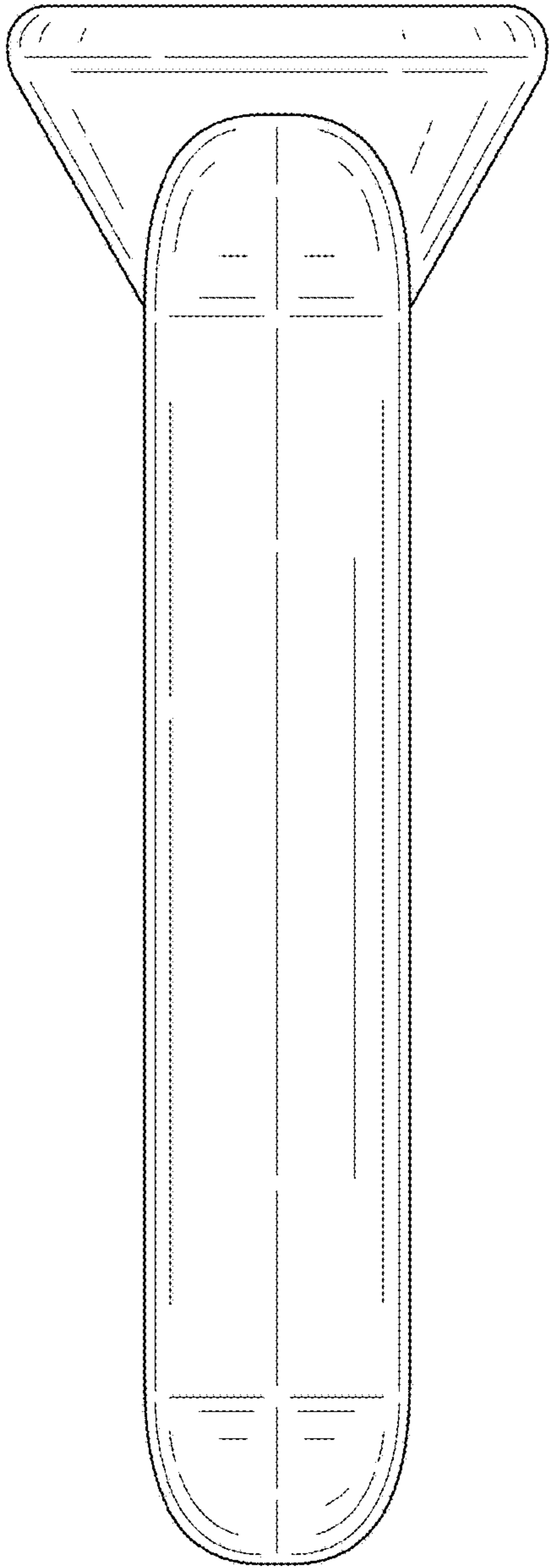


FIG. 13

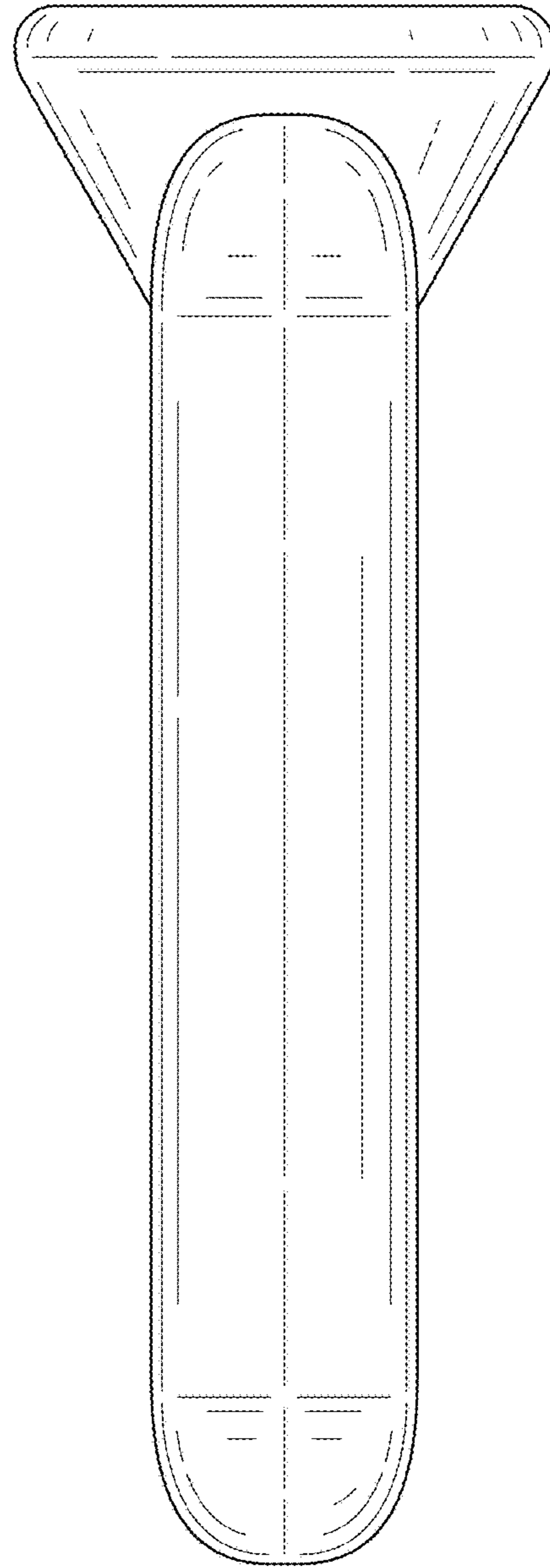


FIG. 14

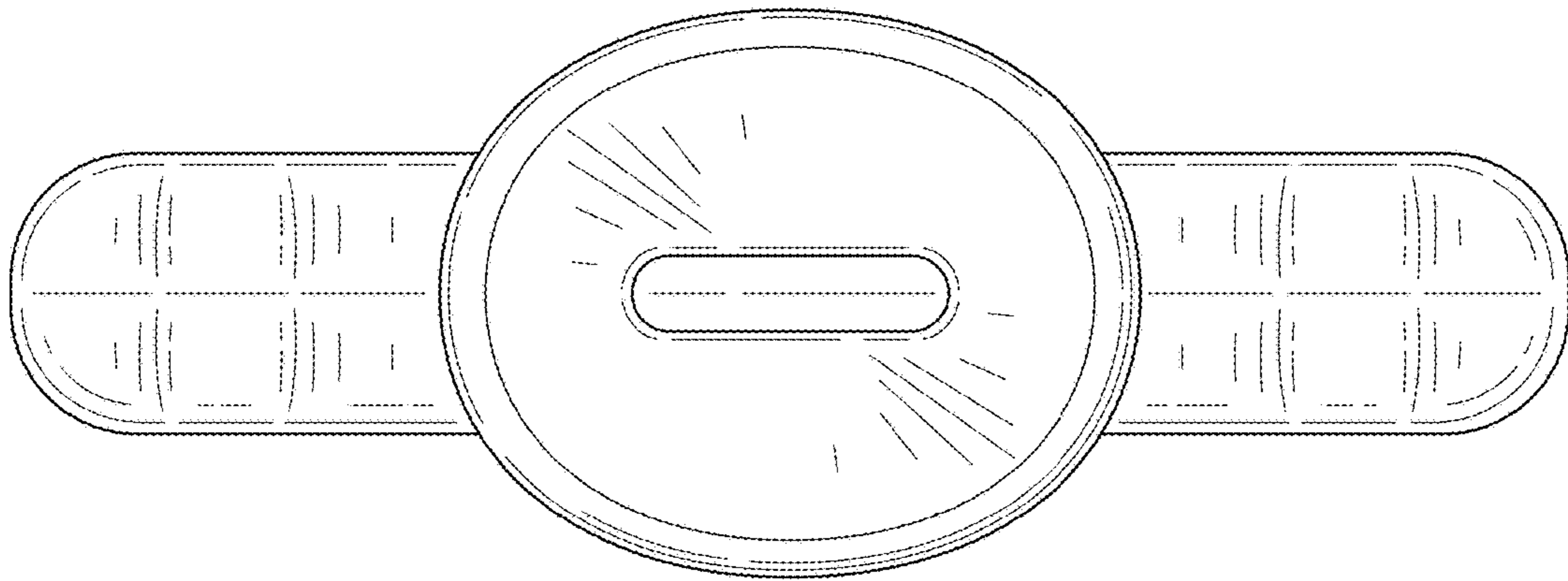


FIG. 15

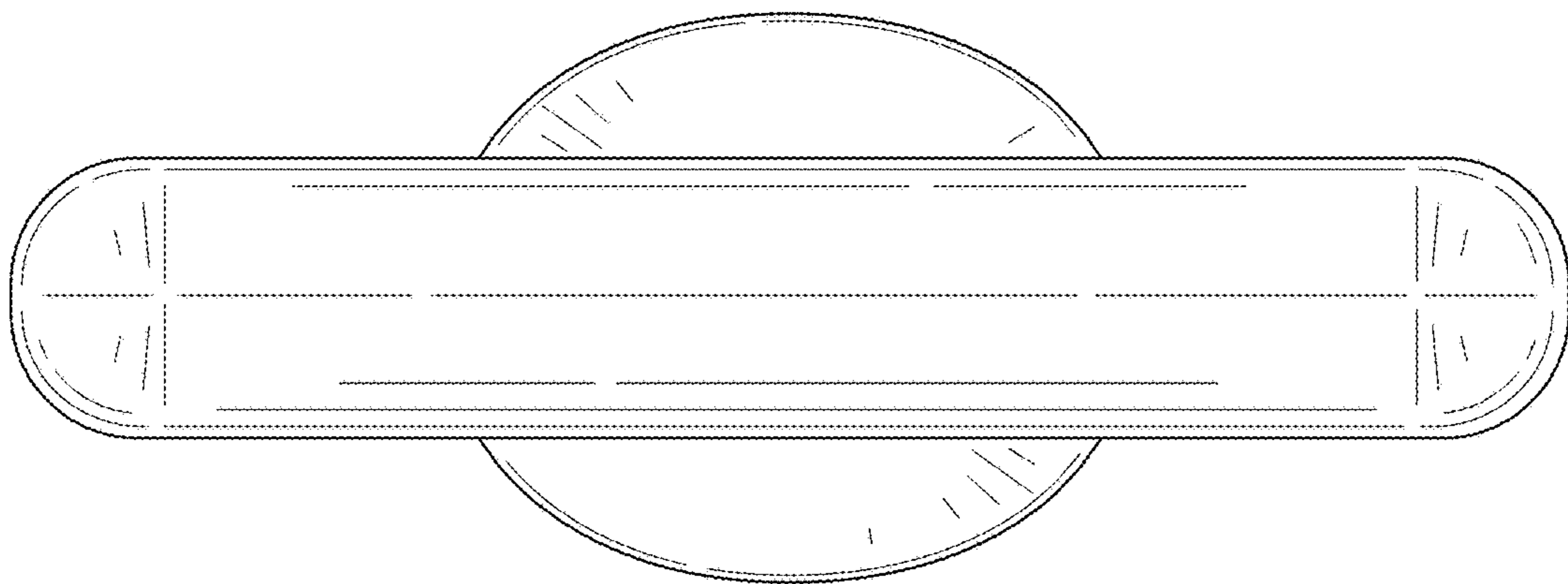


FIG. 16