



US00D805264S

(12) **United States Design Patent** (10) **Patent No.:** **US D805,264 S**  
**Wendling** (45) **Date of Patent:** **\*\* Dec. 12, 2017**

(54) **SCOOP**

(71) Applicant: **Allan Wendling**, New Lothrop, MI (US)

(72) Inventor: **Allan Wendling**, New Lothrop, MI (US)

(\*\*) Term: **15 Years**

(21) Appl. No.: **29/573,017**

(22) Filed: **Aug. 2, 2016**

(51) **LOC (10) Cl.** ..... **30-99**

(52) **U.S. Cl.**  
USPC ..... **D30/162**

(58) **Field of Classification Search**

USPC ..... D30/162, 161, 199; 119/867, 161, 166, 119/174; D8/13, 10; D9/430; 294/1.3-1.5, 19.1, 49, 50, 50.5, 55, 179, 294/176, 180, 3, 7, 99.2, 177, 59, 57; 209/418, 419; 15/257.1, 257.2, 1.7; 210/464, 465, 470, 472; D7/692; D21/532; D32/74

CPC ..... A01K 1/01; A01K 1/011; A01K 1/0128; A01K 1/0132; E01H 1/12; E01H 1/1206; E01H 2001/122; E01H 2001/1226; E01H 2001/1233; E01H 2001/1246; E01H 2001/126; E01H 2001/1266; E01H 2001/1273; E01H 2001/128; B07B 1/00; B07B 1/005; B07B 1/02; E04H 4/1609; F24B 15/08

See application file for complete search history.

(56) **References Cited**

U.S. PATENT DOCUMENTS

134,647 A \* 1/1873 Dean ..... F24B 15/08  
209/395  
D480,519 S \* 10/2003 Firth ..... D30/162  
D485,025 S \* 1/2004 Edwards ..... A47L 13/52  
D30/162

OTHER PUBLICATIONS

IPrimio shovel scoop, <http://iprimio.com/home/productdetail/18> , 2016, 1 page.\*

\* cited by examiner

*Primary Examiner* — Susan Moon Lee

(74) *Attorney, Agent, or Firm* — Dinsmore & Shohl LLP

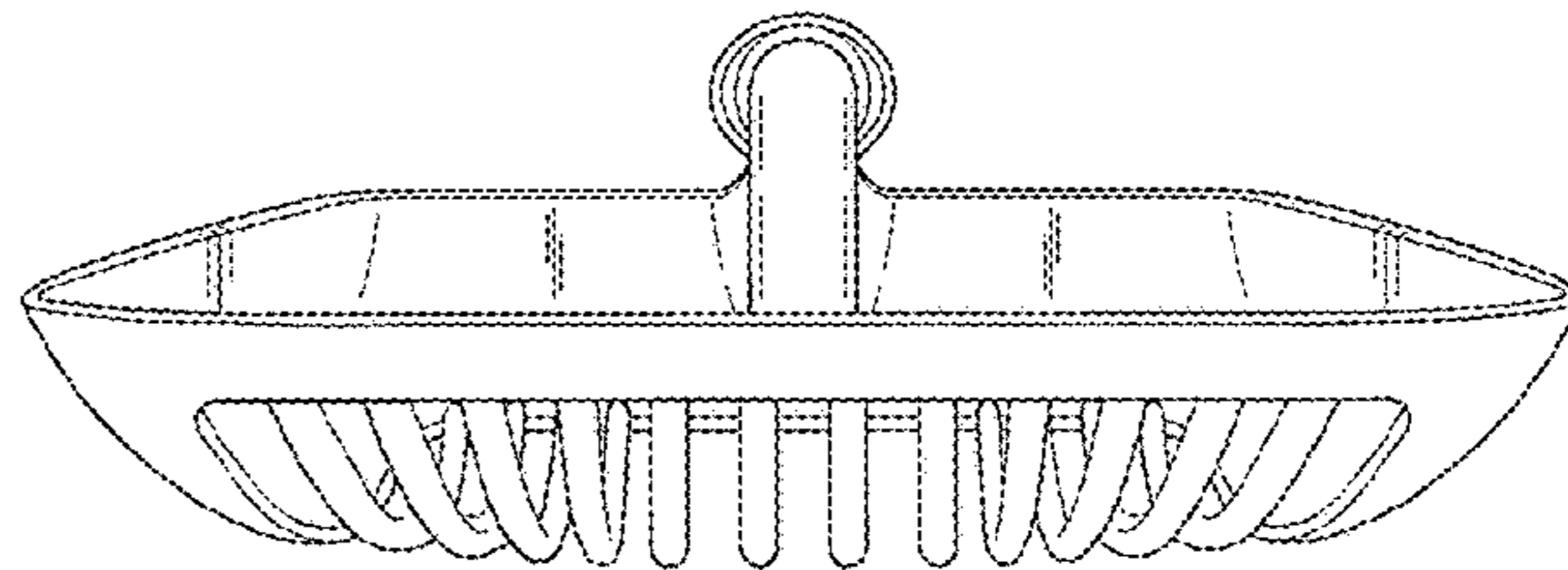
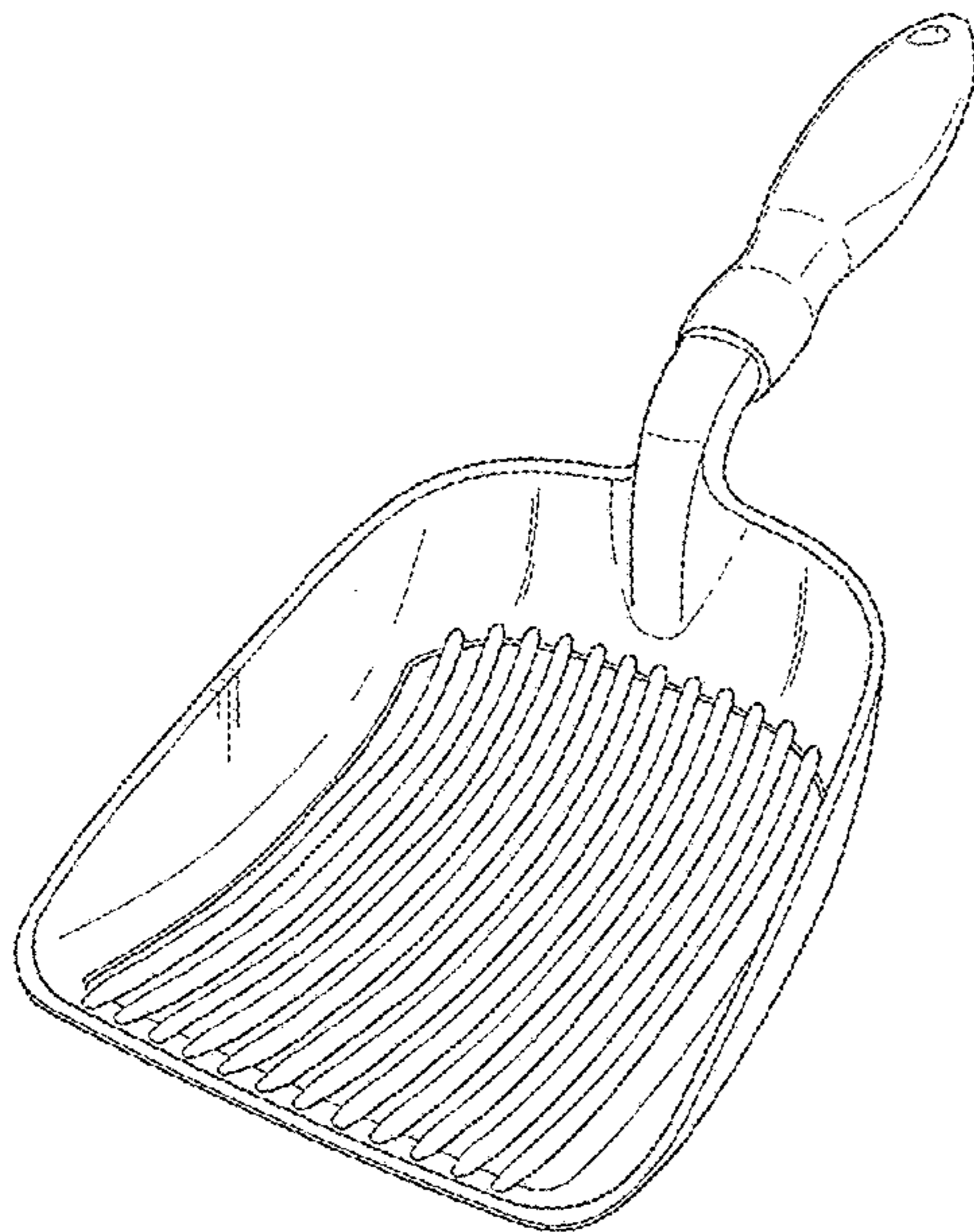
(57) **CLAIM**

The ornamental design for a scoop, as shown and described.

**DESCRIPTION**

FIG. 1 is an elevational view of the scoop of the design;  
FIG. 2 is a front view thereof;  
FIG. 3 is a top view thereof;  
FIG. 4 is a bottom view thereof;  
FIG. 5 is a right side view thereof;  
FIG. 6 is a left side view thereof; and,  
FIG. 7 is an end view thereof.

**1 Claim, 3 Drawing Sheets**



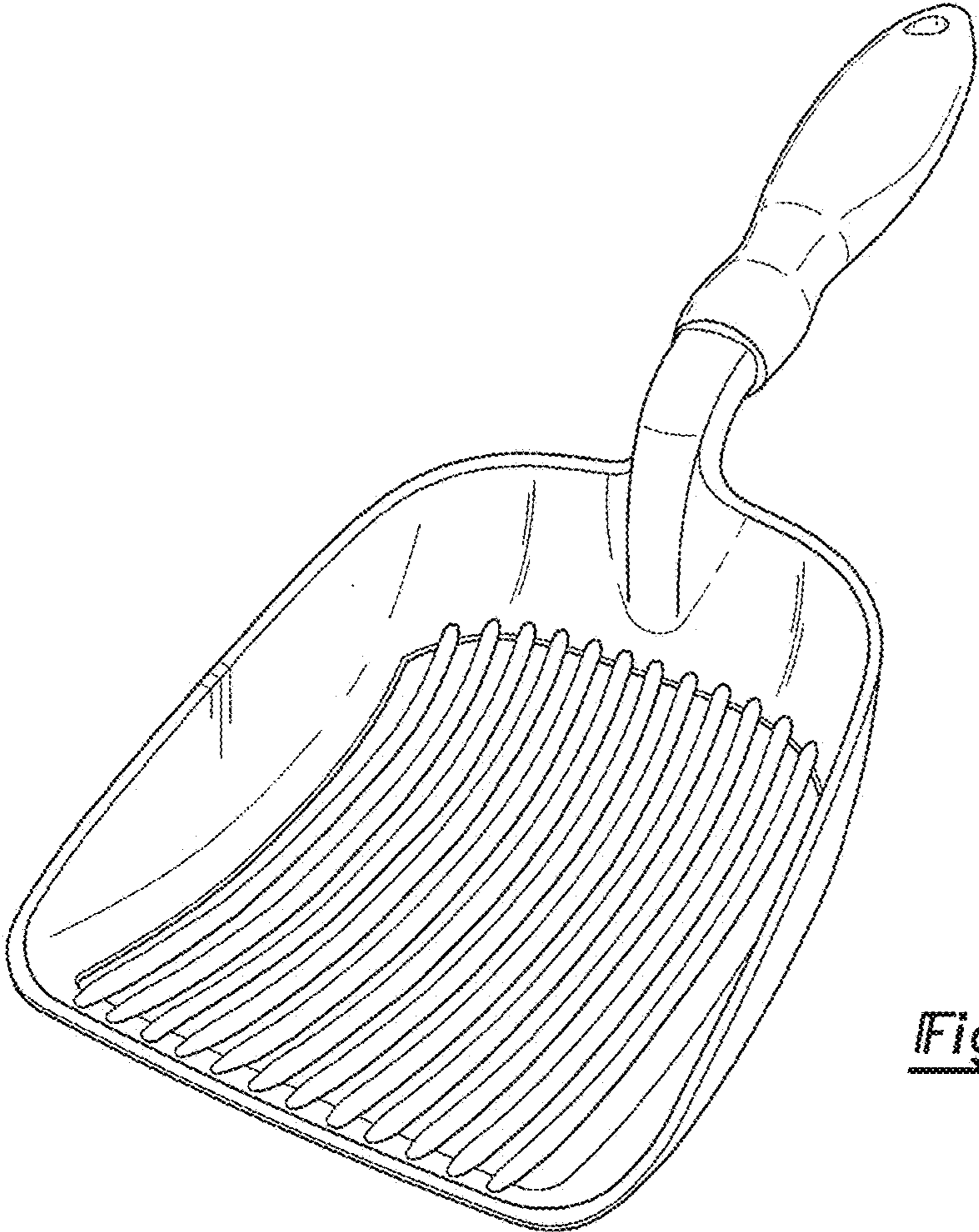


Fig-1

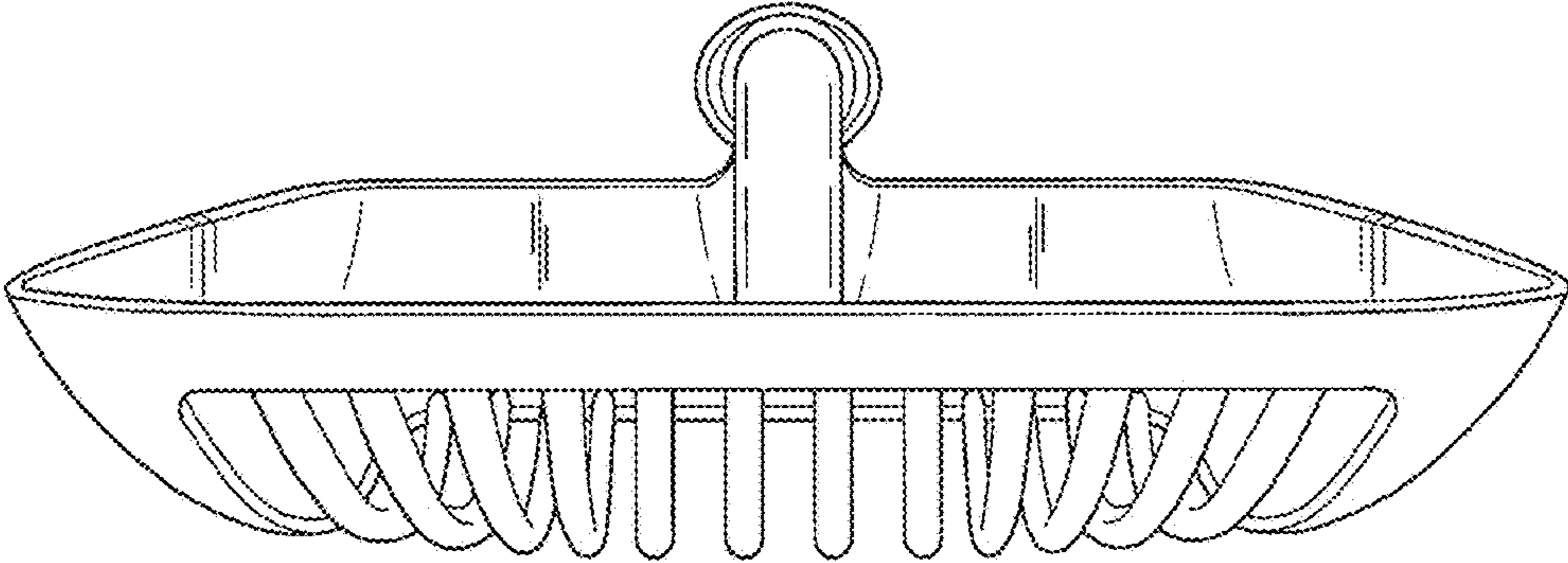


Fig-2

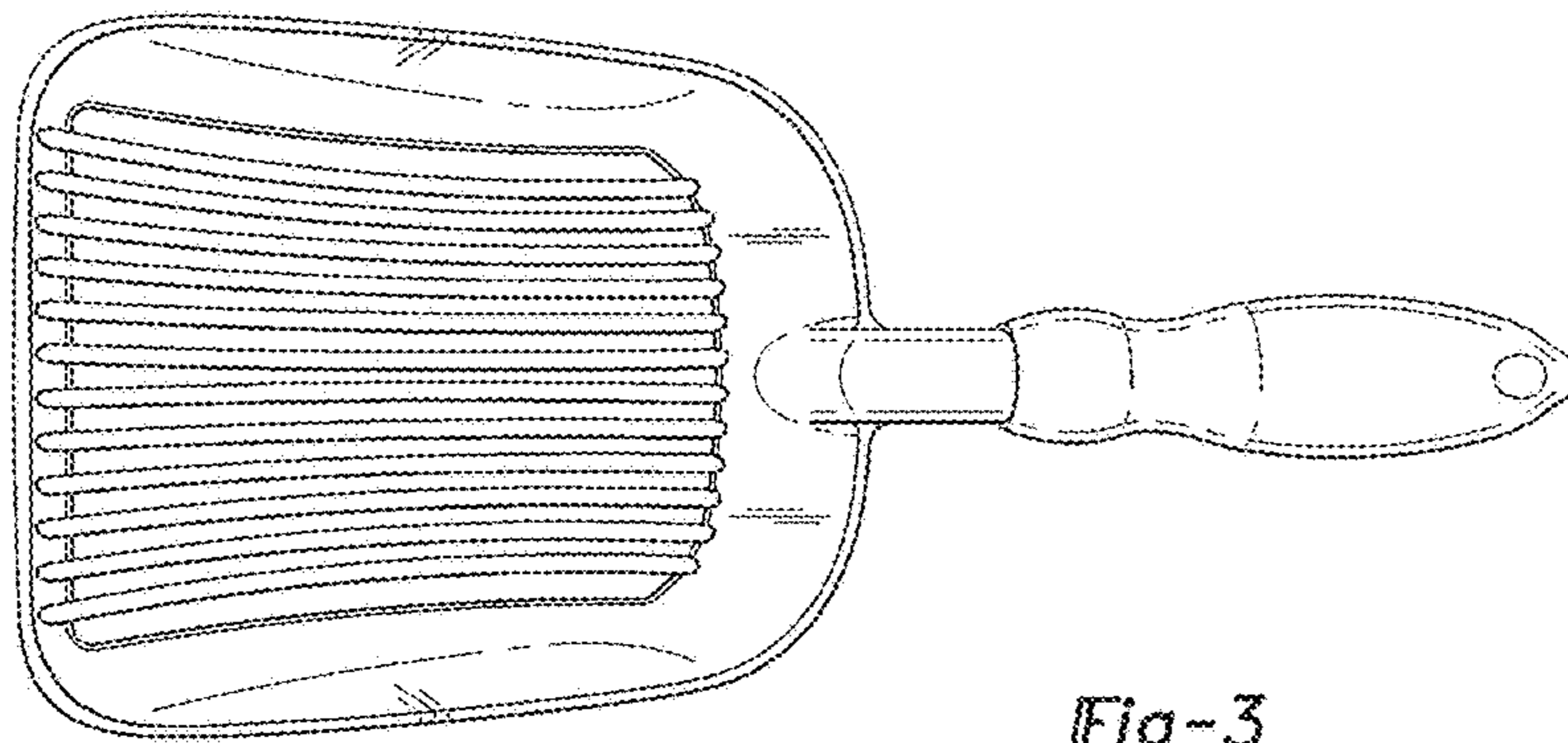


Fig-3

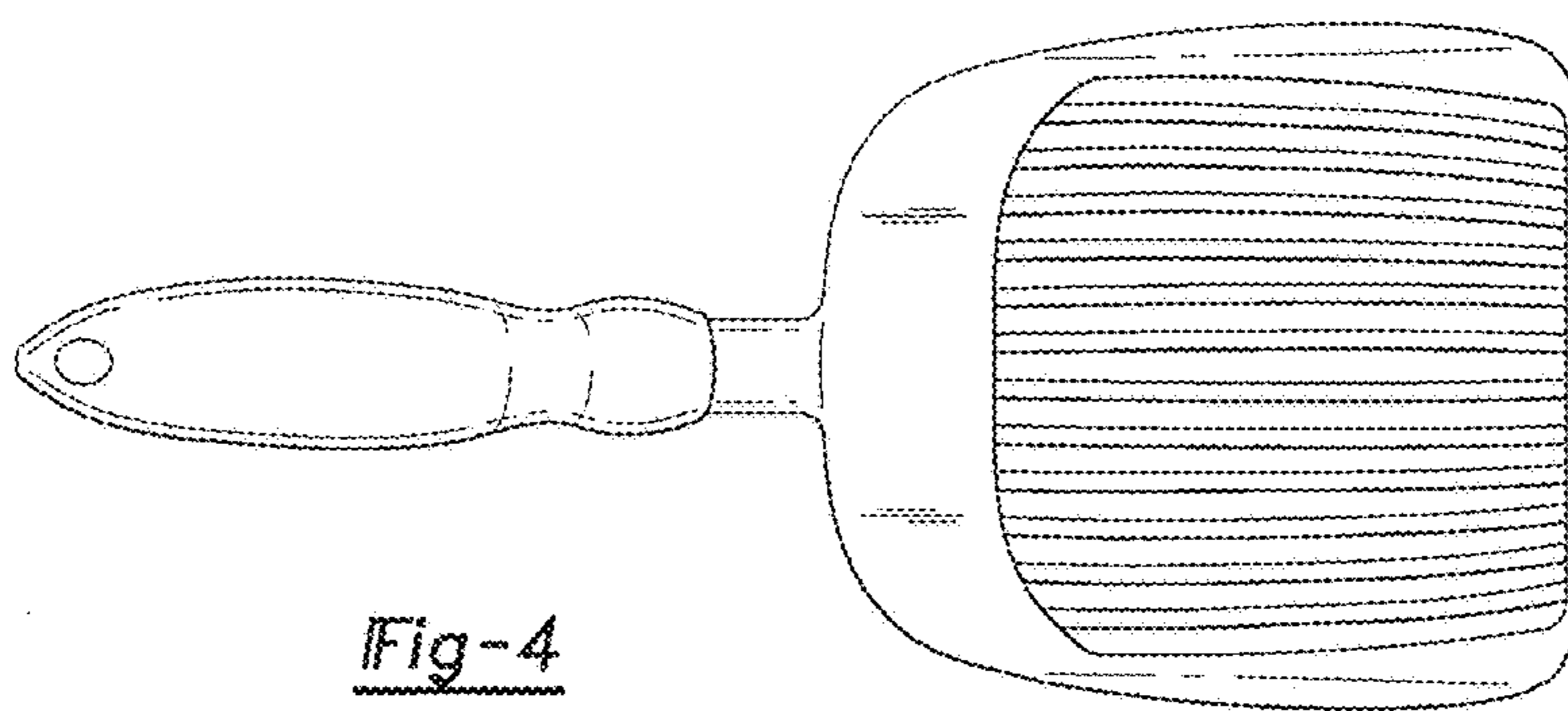


Fig-4

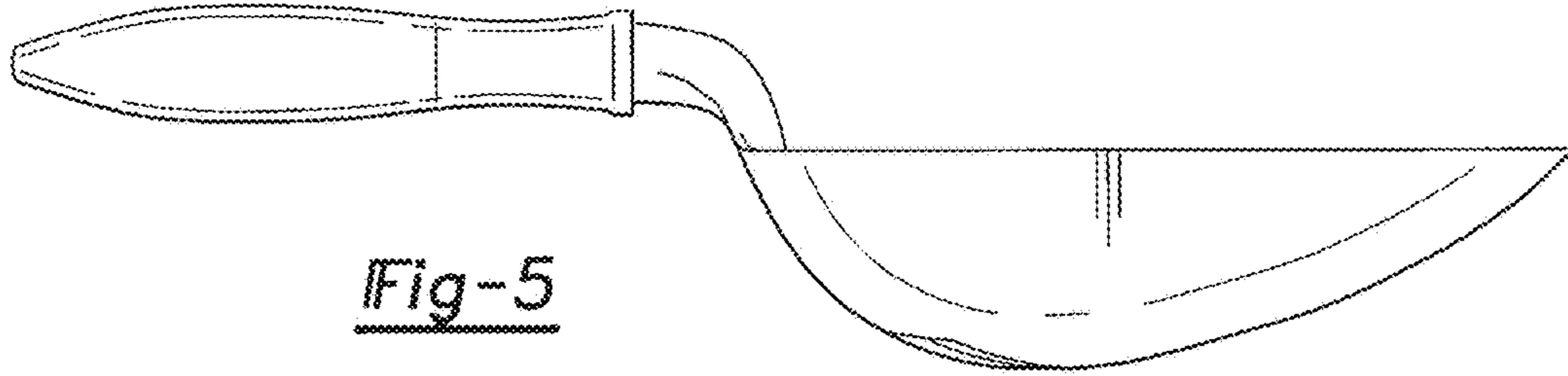


Fig-5

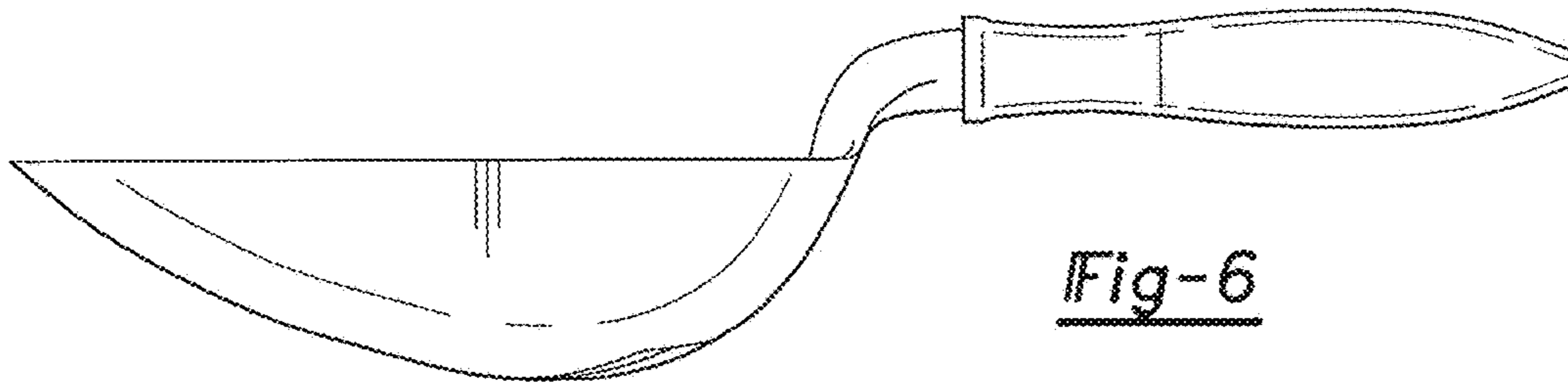


Fig-6

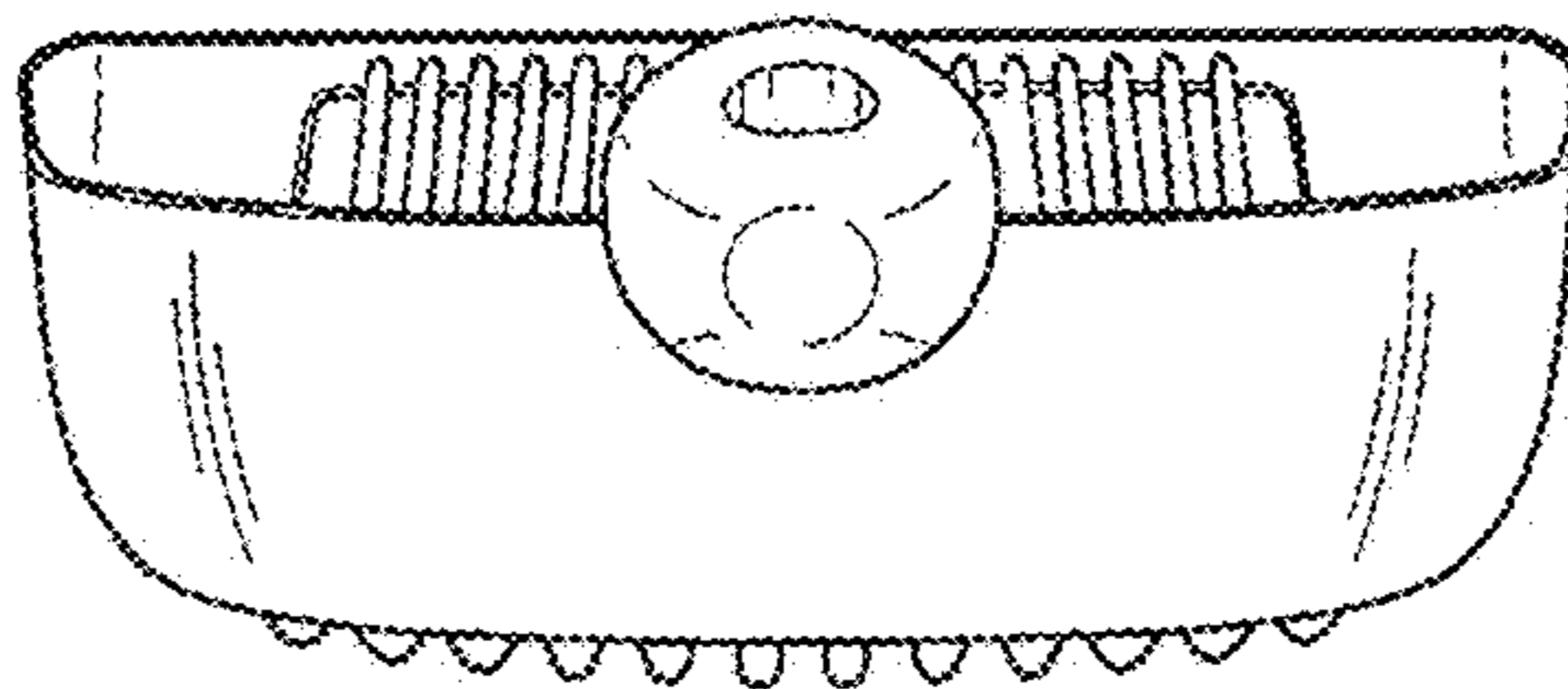


Fig-7