



US00D805262S

(12) **United States Design Patent** (10) **Patent No.:** **US D805,262 S**  
**Pinto et al.** (45) **Date of Patent:** **\*\* Dec. 12, 2017**

(54) **PET TOY**  
(71) Applicant: **Doskocil Manufacturing Company, Inc.**, Arlington, TX (US)  
(72) Inventors: **Sunil Pinto**, Arlington, TX (US); **Norman Anderson**, Brooklyn, NY (US)  
(73) Assignee: **DOSKOCIL MANUFACTURING COMPANY, INC.**, Arlington, TX (US)  
(\*\*) Term: **15 Years**  
(21) Appl. No.: **29/556,469**  
(22) Filed: **Mar. 1, 2016**  
(51) **LOC (10) Cl.** ..... **30-99**  
(52) **U.S. Cl.**  
USPC ..... **D30/160**  
(58) **Field of Classification Search**  
USPC ..... D30/160, 158, 163, 162, 199; D21/398, D21/399, 405, 412, 414, 415, 438, 483, D21/484, 487, 490, 491, 499; D17/14, D17/18, 20, 99; D1/106; D11/14, 44, D11/157; D14/400; D19/1, 4  
CPC ..... A01K 15/024; A01K 15/25; A01K 15/27  
See application file for complete search history.

D542,464 S \* 5/2007 Chen ..... D17/14  
D622,027 S \* 8/2010 Acunzo ..... D1/106  
D622,926 S \* 9/2010 Emanuel ..... D1/106  
D682,733 S \* 5/2013 Dubow ..... D11/157  
D762,765 S \* 8/2016 Frirsz ..... D17/14  
D790,634 S \* 6/2017 Fisch ..... D17/1  
D792,510 S \* 7/2017 Flores ..... D17/14

**OTHER PUBLICATIONS**

MuttNation Treat Guitar, [online], [site visited Jul. 28, 2017]. Available from Internet, <URL:http://www.petmate.com/product/MuttNation-Treat-Guitar/31701>.\*

(Continued)

*Primary Examiner* — Thomas Johannes  
*Assistant Examiner* — Katrina Gonzalez  
(74) *Attorney, Agent, or Firm* — Global IP Counselors, LLP

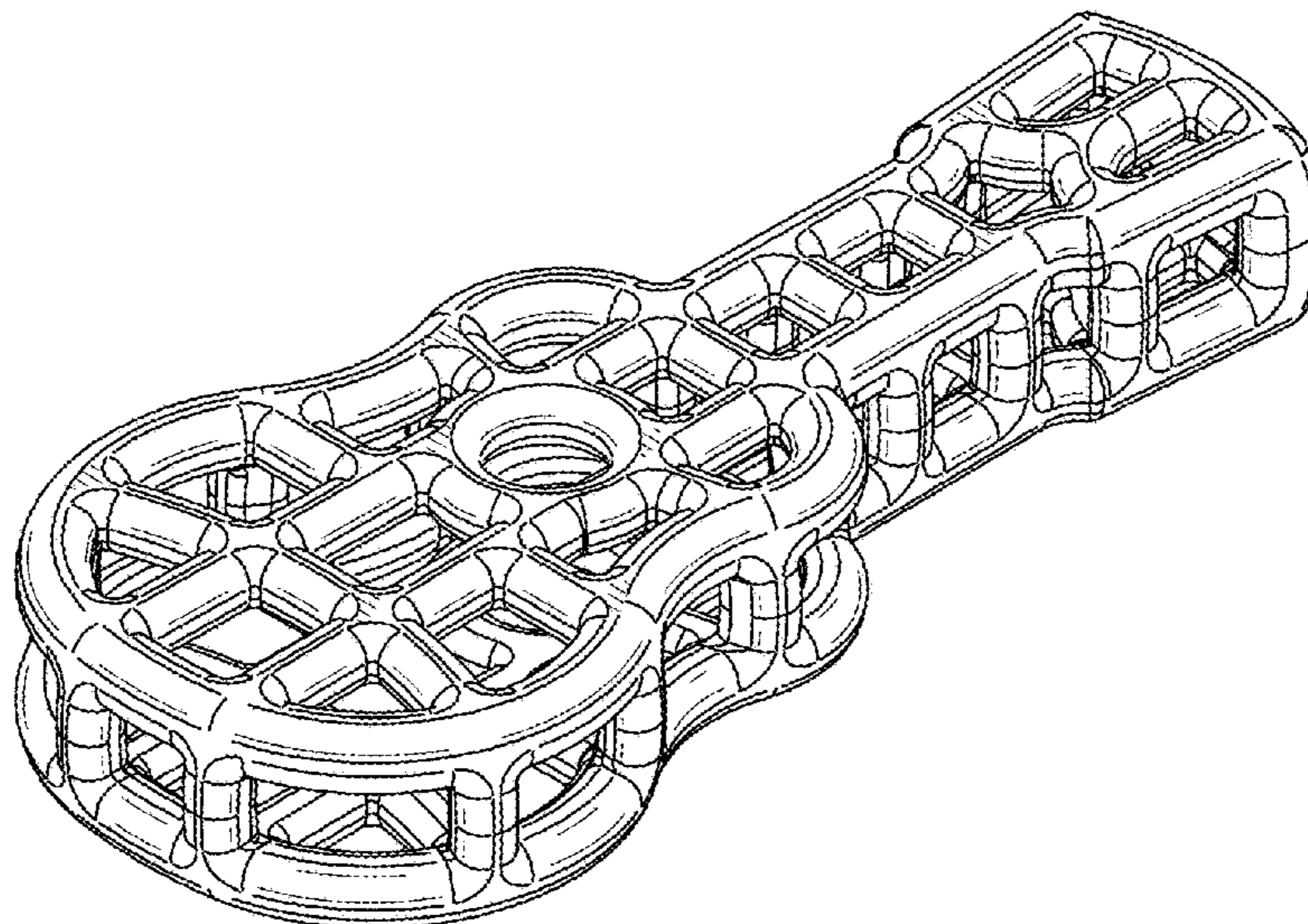
(57) **CLAIM**  
The ornamental design for a pet toy, as shown and described.

**DESCRIPTION**

FIG. 1 is a top perspective view of a pet toy in accordance with our new design;  
FIG. 2 is a bottom perspective view of the pet toy in accordance with our new design of FIG. 1;  
FIG. 3 is a top view of the pet toy in accordance with our new design of FIGS. 1 to 2;  
FIG. 4 is a side view of the pet toy in accordance with our new design of FIGS. 1 to 3;  
FIG. 5 is a side view of the pet toy in accordance with our new design of FIGS. 1 to 4; and,  
FIG. 6 is a side view of the pet toy in accordance with our new design of FIGS. 1 to 5.  
The broken lines depict environmental subject matter, are for illustration only, and form no part of the claimed design.

**1 Claim, 3 Drawing Sheets**

(56) **References Cited**  
**U.S. PATENT DOCUMENTS**  
D239,309 S \* 3/1976 Bontempi ..... D17/19  
D286,400 S \* 10/1986 Moller ..... D14/143  
D293,730 S \* 1/1988 Blatnick ..... D1/106  
D324,752 S \* 3/1992 Meyers, Jr. .... D1/106  
D329,668 S \* 9/1992 Connelly ..... D11/133  
D444,166 S \* 6/2001 Kammerer ..... D17/19  
D456,856 S \* 5/2002 Kane ..... D21/405  
D501,395 S \* 2/2005 Kelleghan ..... D8/356



(56)

**References Cited**

## OTHER PUBLICATIONS

Amazon.com MuttNation, [online], [site visited Jul. 28, 2017]. Available from Internet, <URL:<https://www.amazon.com/MuttNation-Fueled-Miranda-Lambert-Guitar/dp/B01IJZG13M>>.\*

MuttNation Fueled by Miranda Lambert Treat Guitar, Blue—For Life Out Here, [online], [site visited Jul. 28, 2017]. Available from Internet, <URL:<https://www.tractorsupply.com/tsc/product/muttnation-treat-guitar-turquoise>>.\*

Petmate MuttNation Treat Guitar Asst, [online], [site visited Jul. 28, 2017]. Available from Internet, <URL:[http://www.globalpets.com/Petmate-MuttNation-Treat-Guitar-Asst-Colors\\_p\\_104019.html](http://www.globalpets.com/Petmate-MuttNation-Treat-Guitar-Asst-Colors_p_104019.html)>.\*

Miranda Lambert Fuels New MuttNation Article, [online], [site visited Jul. 28, 2017]. Available from Internet, <URL:<http://www.nashcountrydaily.com/2016/08/23/miranda-lambert-fuels-new-muttnation-pet-collection-for-your-puppies/>>.\*

MuttNation Foundation, [online], [site visited Jul. 28, 2017]. Available from Internet, <URL:<https://muttnation.com/foundation/>>.\*

\* cited by examiner



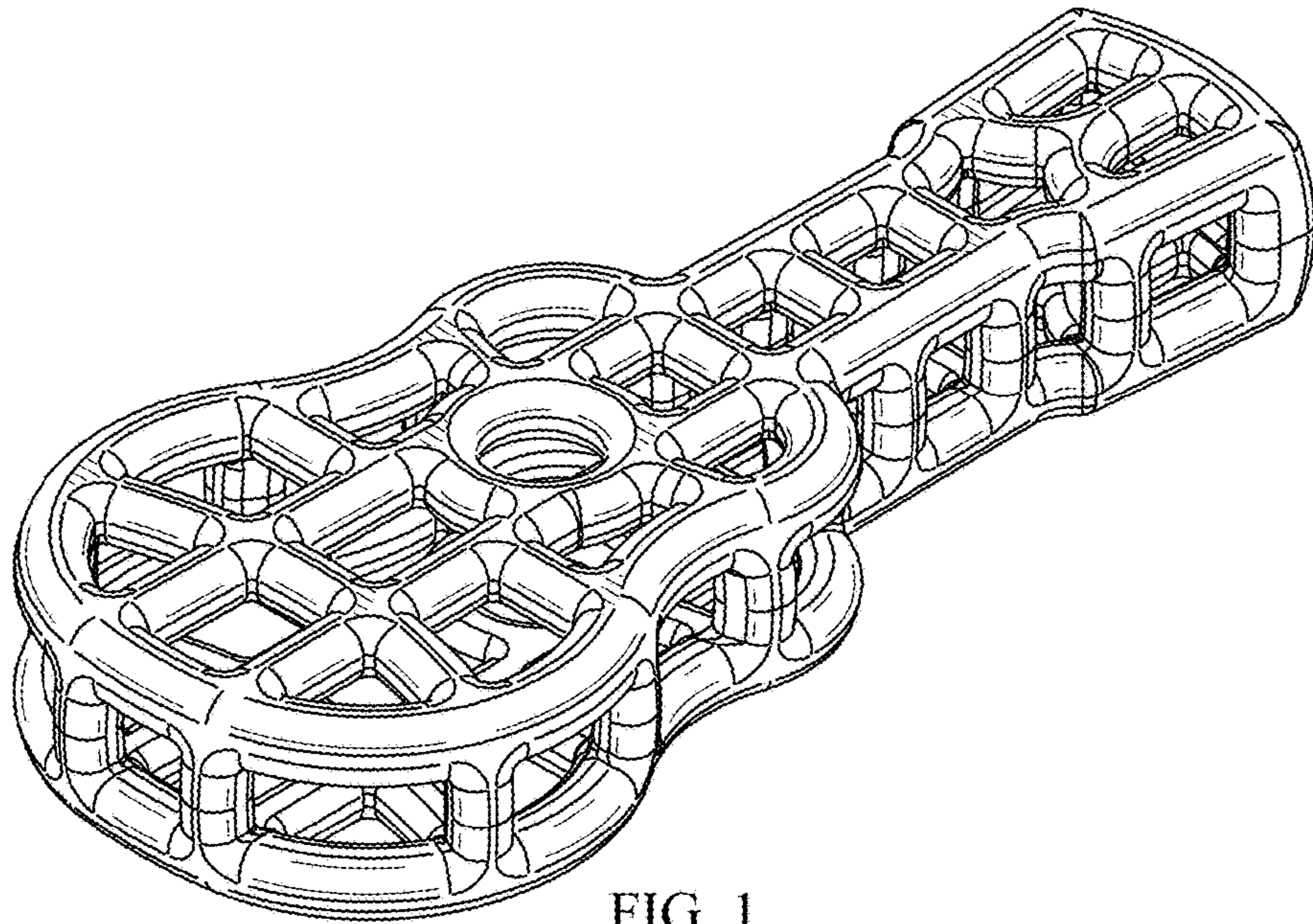


FIG. 1

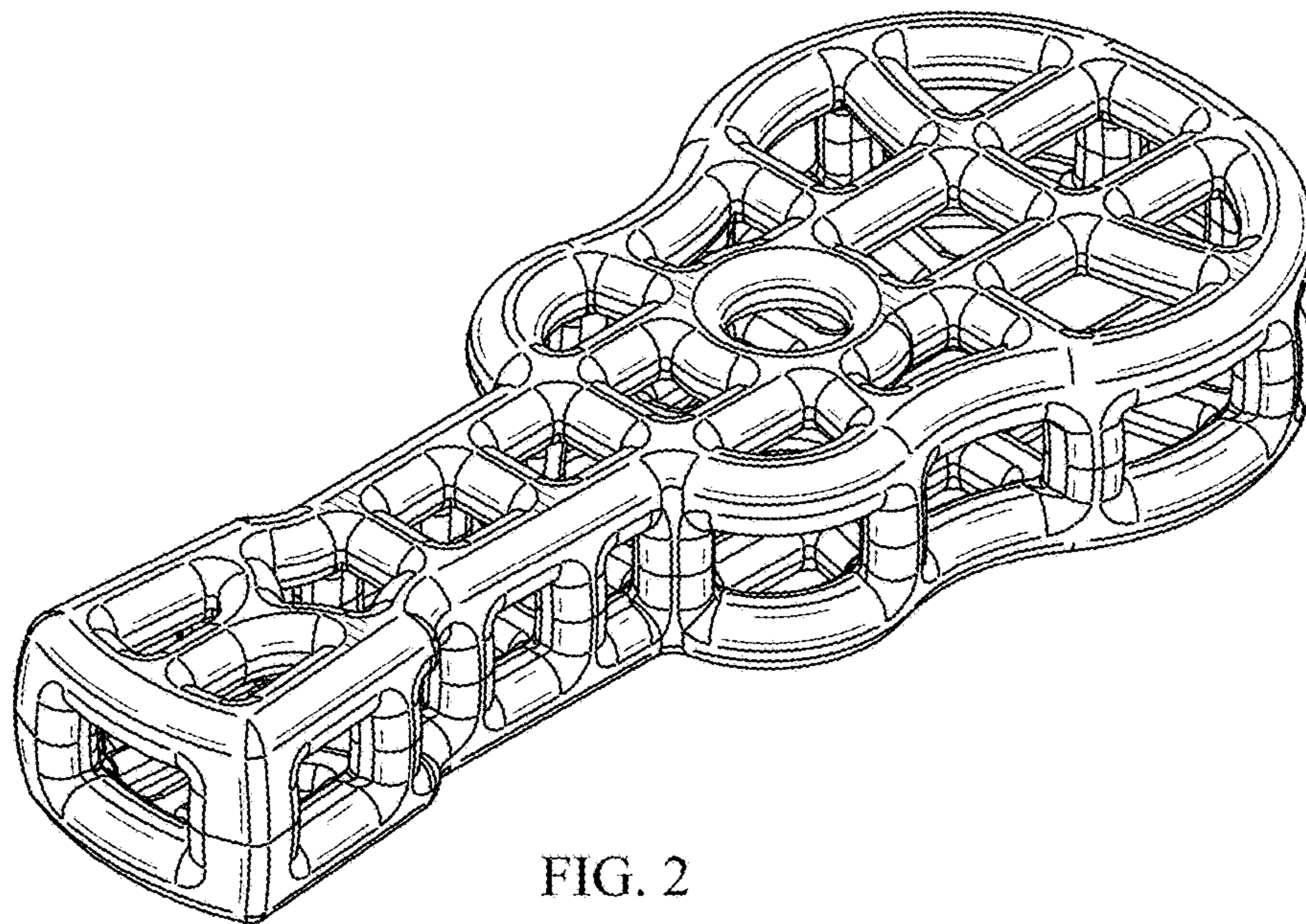


FIG. 2

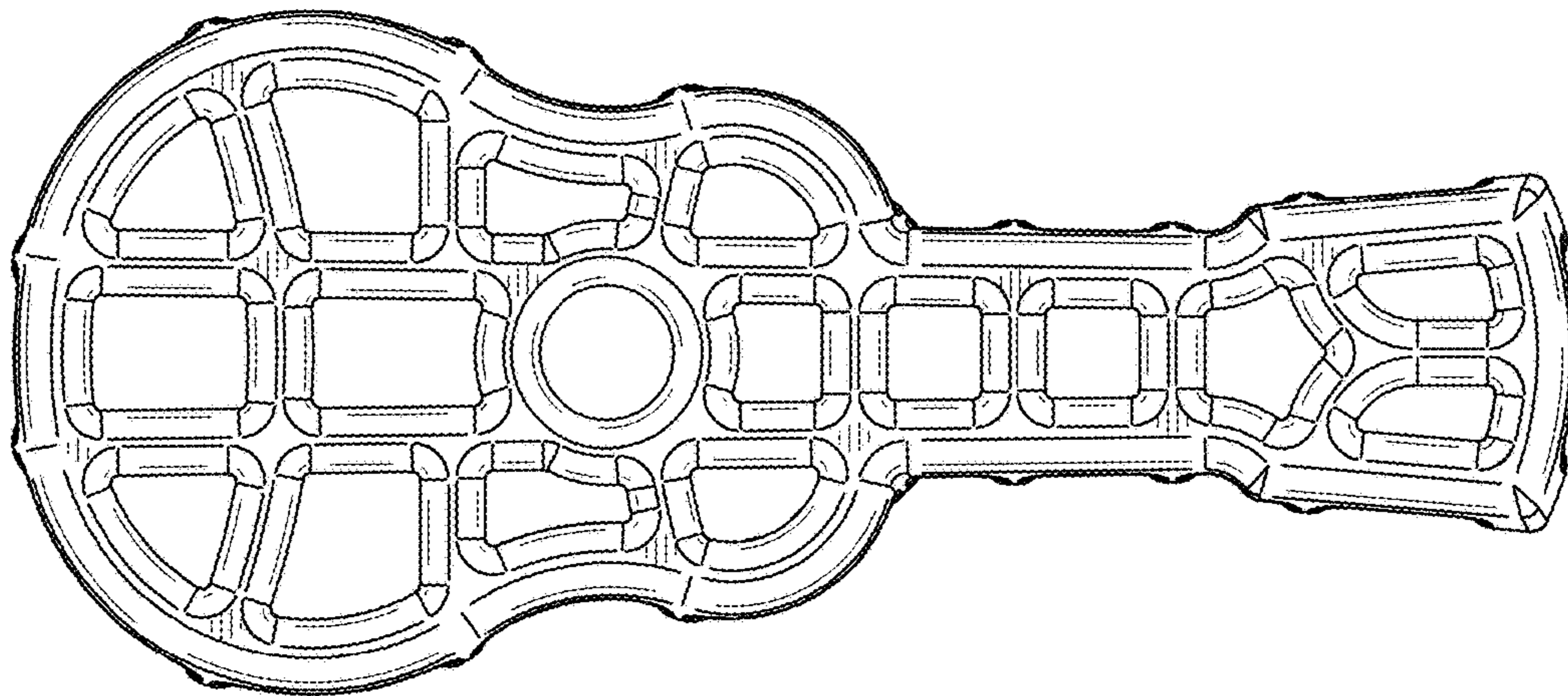


FIG. 3

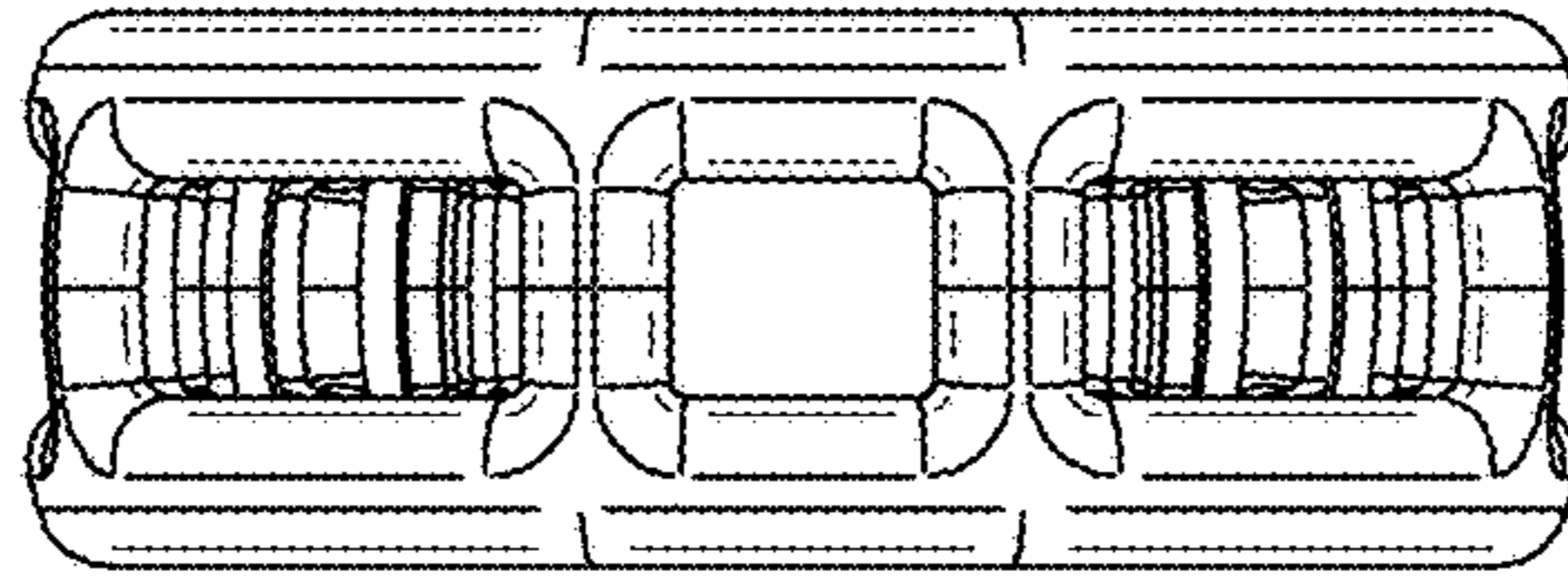


FIG. 4

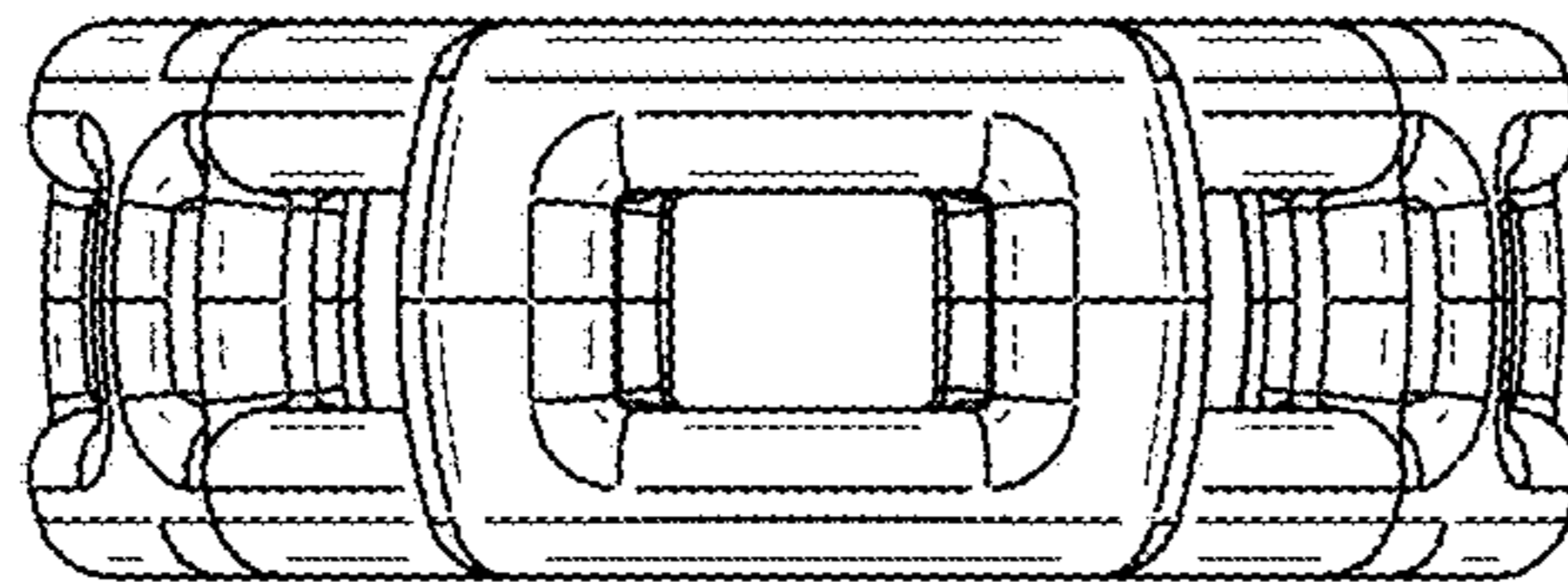


FIG. 5

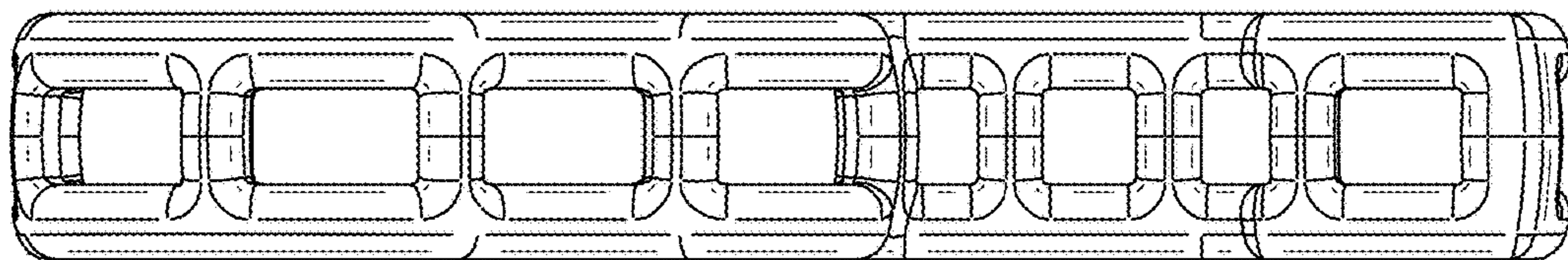


FIG. 6