



US00D805260S

(12) **United States Design Patent**
Avila

(10) **Patent No.: US D805,260 S**

(45) **Date of Patent: ** Dec. 12, 2017**

(54) **WATER DISPENSER FOR PETS**

(71) Applicant: **William Avila**, El Mirage, AZ (US)

(72) Inventor: **William Avila**, El Mirage, AZ (US)

(**) Term: **15 Years**

(21) Appl. No.: **29/574,460**

(22) Filed: **Aug. 16, 2016**

(51) **LOC (10) Cl. 30-03**

(52) **U.S. Cl.**
USPC **D30/132**

(58) **Field of Classification Search**

USPC D30/132, 131, 133, 121, 122, 125, 199;
119/51.01, 61, 51.04, 53, 57.91, 54, 53.5,
119/52.4, 51.11, 63, 61.2, 52.1, 57.5,
119/57.6, 51.13, 62, 75, 500, 501; 239/7,
239/687, 379, 397.5; 222/199, 181.1,
222/181.2, 185.1, 557, 156, 485, 486,
222/548, 555, 146.6; 220/200, 227, 247,
220/262; 221/174, 185.1, 289, 295, 296,
221/559; 454/35; 209/270, 283, 244;
52/194, 192; 49/279, 344, 357; D34/28;
D7/397, 313, 312, 398, 399-401,
D7/318-322, 306-308; D9/516, 523,
D9/526-531, 536, 605; 62/3.64, 457.3
CPC A01K 7/025; A01K 7/027; A01K 7/00;
A01K 7/005; A01K 7/02; A01K 7/022;
A01K 7/06; A01K 39/0213; A01K 39/02;
A01K 39/026; A01K 9/00; A01K 5/00;
A01K 5/01; A01K 5/0107; A01K 5/0114;
A01K 5/0142; A01K 5/02; A01K 5/0225;
B67D 1/00; B67D 1/0004; B67D 1/0005;
B67D 1/0042; B67D 1/08; B67D 1/0801;
B67D 1/0804; B67D 1/0857; B67D
1/0872; B67D 1/0882; B67D 3/00; B67D
3/0009; B67D 3/0025; B67D 3/0058;
B67D 3/0061; B67D 2210/00028; B67D
2210/00031; A47J 31/005; A47J 31/007;

A47J 31/4403; A47J 31/46; A47J 31/462;
A47J 31/50; A47J 41/00; A47J 41/0055;
A47J 41/0072

See application file for complete search history.

(56) **References Cited**

U.S. PATENT DOCUMENTS

84,482 A * 12/1868 Downes F25D 3/04
210/425
470,745 A * 3/1892 Conant B67D 3/0009
220/592.02
D199,408 S * 10/1964 Felske D7/313
D210,307 S * 2/1968 Branscum D7/313
3,587,904 A * 6/1971 Harris B29C 33/34
206/509
3,691,997 A * 9/1972 Hatch A01K 7/02
119/51.11
3,769,899 A * 11/1973 Kostko A47J 39/00
99/324
3,771,496 A 11/1973 Atchley

(Continued)

FOREIGN PATENT DOCUMENTS

CN 201976571 U 9/2011

Primary Examiner — Susan Moon Lee

(57) **CLAIM**

I claim the ornamental design for a water dispenser for pets,
as shown and described.

DESCRIPTION

FIG. 1 is a front view of the water dispenser for pets.

FIG. 2 is a back view thereof.

FIG. 3 is a left side view thereof.

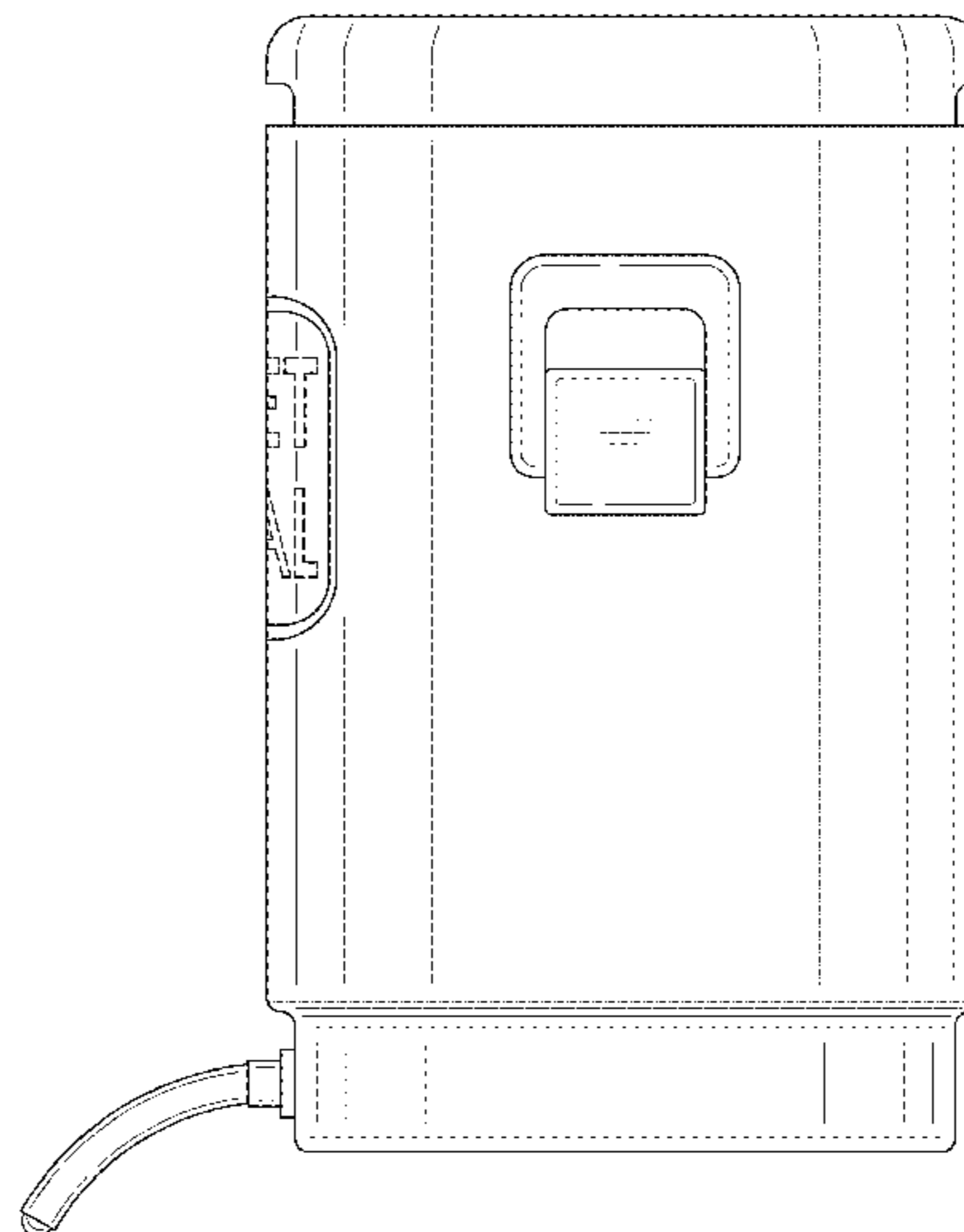
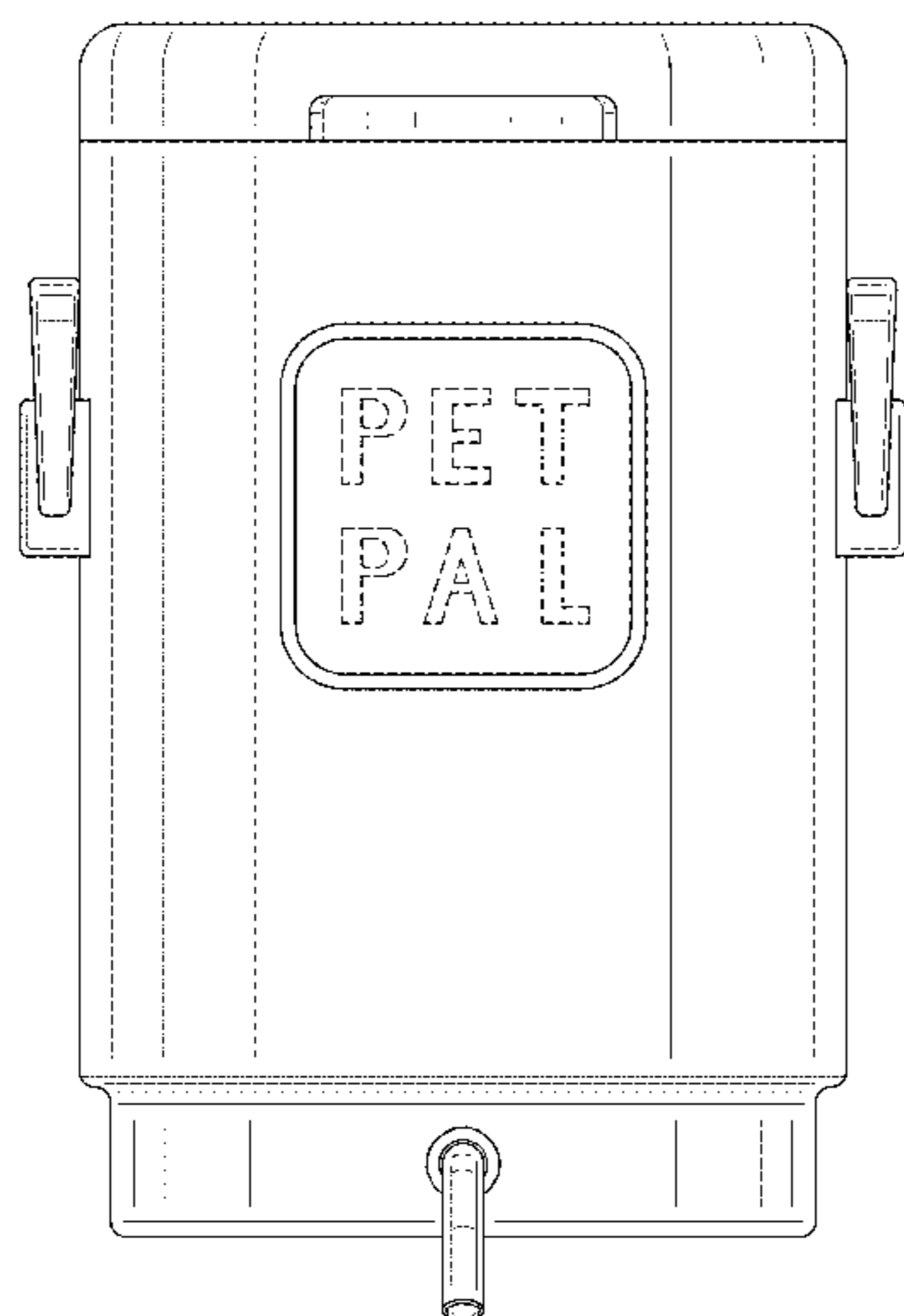
FIG. 4 is a right side view thereof.

FIG. 5 is a top view thereof; and,

FIG. 6 is a bottom view thereof.

The broken line showing of the words “Pet Pal” depicts
exemplary typography that forms no part of the design
claim, but that is shown for illustrative purposes.

1 Claim, 6 Drawing Sheets



(56)

References Cited

U.S. PATENT DOCUMENTS

3,910,461 A * 10/1975 Eager B65D 11/16
220/592.19
D242,834 S * 12/1976 Little D7/313
D244,929 S * 7/1977 Armstrong D7/313
D248,717 S * 8/1978 Little D7/313
D248,718 S * 8/1978 Little D7/313
4,399,926 A * 8/1983 Eidels-Dubovoy B65D 25/32
220/284
D298,602 S * 11/1988 Price D7/313
5,245,951 A * 9/1993 Nicholson
5,328,050 A * 7/1994 Hyatt B67D 3/0022
220/506
D365,969 S * 1/1996 Sellman D7/608
6,047,866 A * 4/2000 Brown B05B 9/007
222/481
6,047,898 A * 4/2000 Cox B67D 1/0004
239/146
D424,760 S * 5/2000 Hui
6,142,100 A * 11/2000 Marchioro
6,230,513 B1 * 5/2001 Reinmuth B67D 1/0857
222/146.6
6,286,564 B1 * 9/2001 Wallace B65D 1/06
141/18
D489,932 S * 5/2004 Picozza D7/306
6,783,034 B1 * 8/2004 Brent B67D 1/0418
222/183
6,786,180 B1 * 9/2004 Cheng
6,786,361 B2 * 9/2004 Moothart B67D 3/0009
222/113
6,843,205 B1 * 1/2005 Segreto A01K 5/0114
119/515
7,051,676 B1 * 5/2006 Deshaies

D526,827 S * 8/2006 Allen D7/306
D528,344 S * 9/2006 Mika D7/307
D529,749 S * 10/2006 Allen D7/306
D530,141 S * 10/2006 Wilgus D7/313
7,269,969 B2 * 9/2007 Strickland B65D 25/282
220/592.16
7,328,818 B2 * 2/2008 Prabucki B67D 3/0029
222/146.6
7,464,836 B1 * 12/2008 Deweese B67D 3/00
220/592.16
D593,353 S * 6/2009 Hoffman D7/306
D593,354 S * 6/2009 Romandy D7/306
D609,521 S * 2/2010 Holsinger D7/313
D612,658 S * 3/2010 Schenk D7/307
D622,089 S * 8/2010 Daniel D7/313
D635,395 S * 4/2011 Johnson D7/392
8,123,069 B1 * 2/2012 Mumaw B67D 3/0061
220/23.4
D655,124 S * 3/2012 Schenk D7/307
D655,562 S * 3/2012 Schenk D7/307
8,714,411 B2 * 5/2014 Gallaher A45F 3/16
222/146.6
9,126,747 B2 * 9/2015 Burgess B65D 1/14
D751,693 S * 3/2016 Geary D24/121
D751,774 S * 3/2016 Allen D30/122
9,360,248 B1 * 6/2016 Efferding F25D 31/002
9,505,601 B2 * 11/2016 Shoup B67D 3/0083
2004/0118355 A1 * 6/2004 Huang
2007/0277547 A1 * 12/2007 Veeravagu B67D 3/0009
62/396
2009/0217881 A1 * 9/2009 Chambers
2010/0313817 A1 * 12/2010 Krasner
2013/0037568 A1 * 2/2013 Smith B67D 3/0054
222/105

* cited by examiner

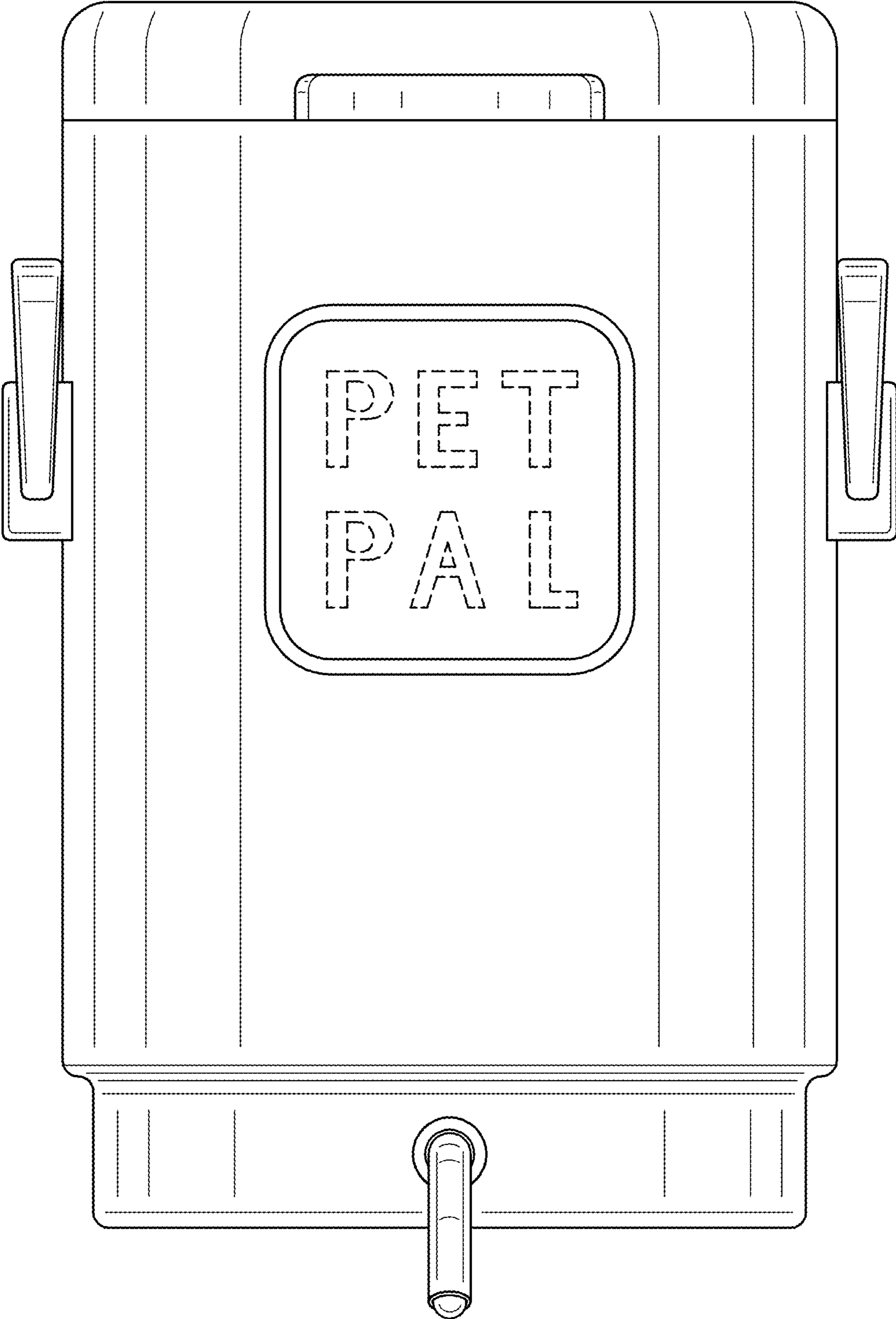


FIG. 1

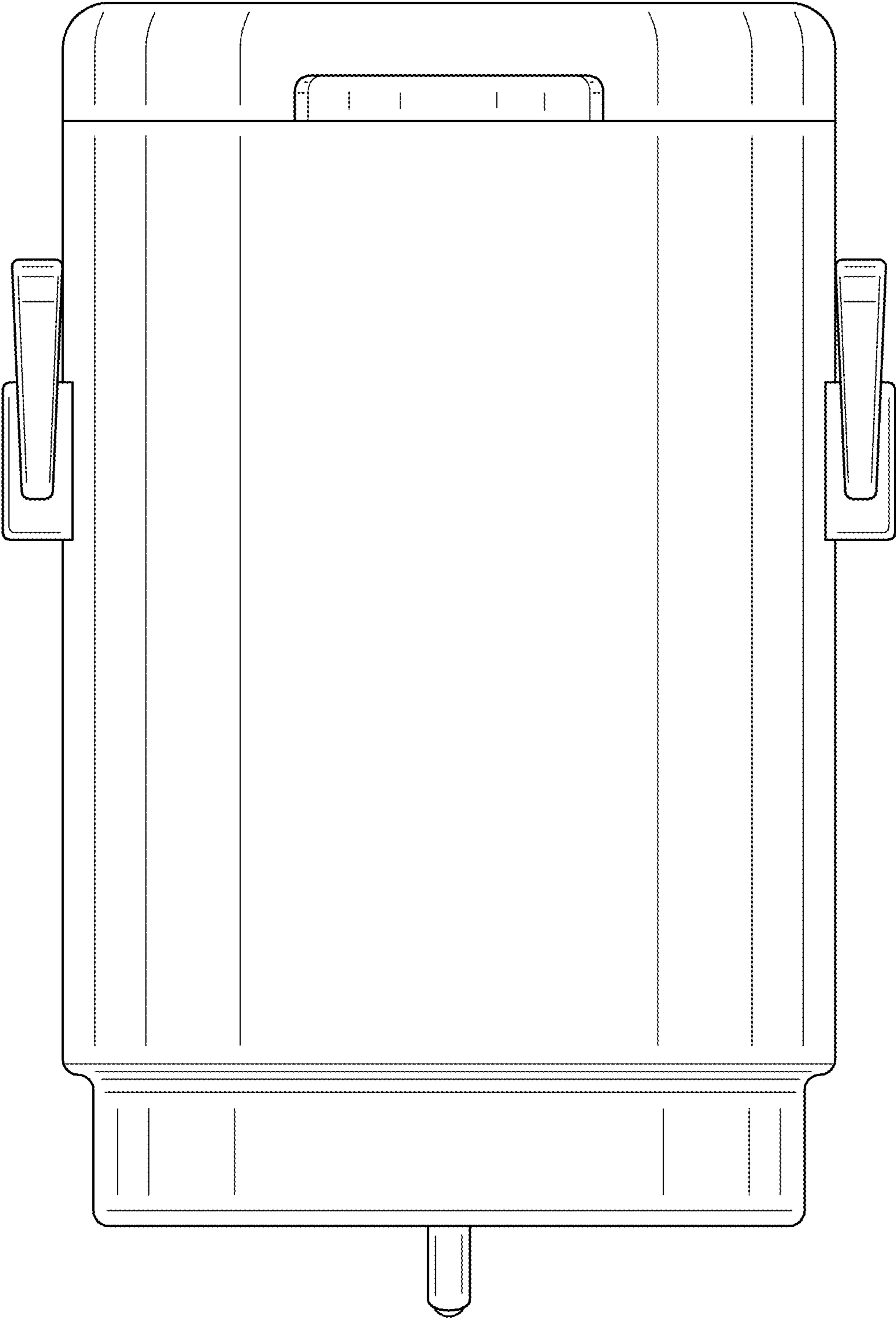


FIG. 2

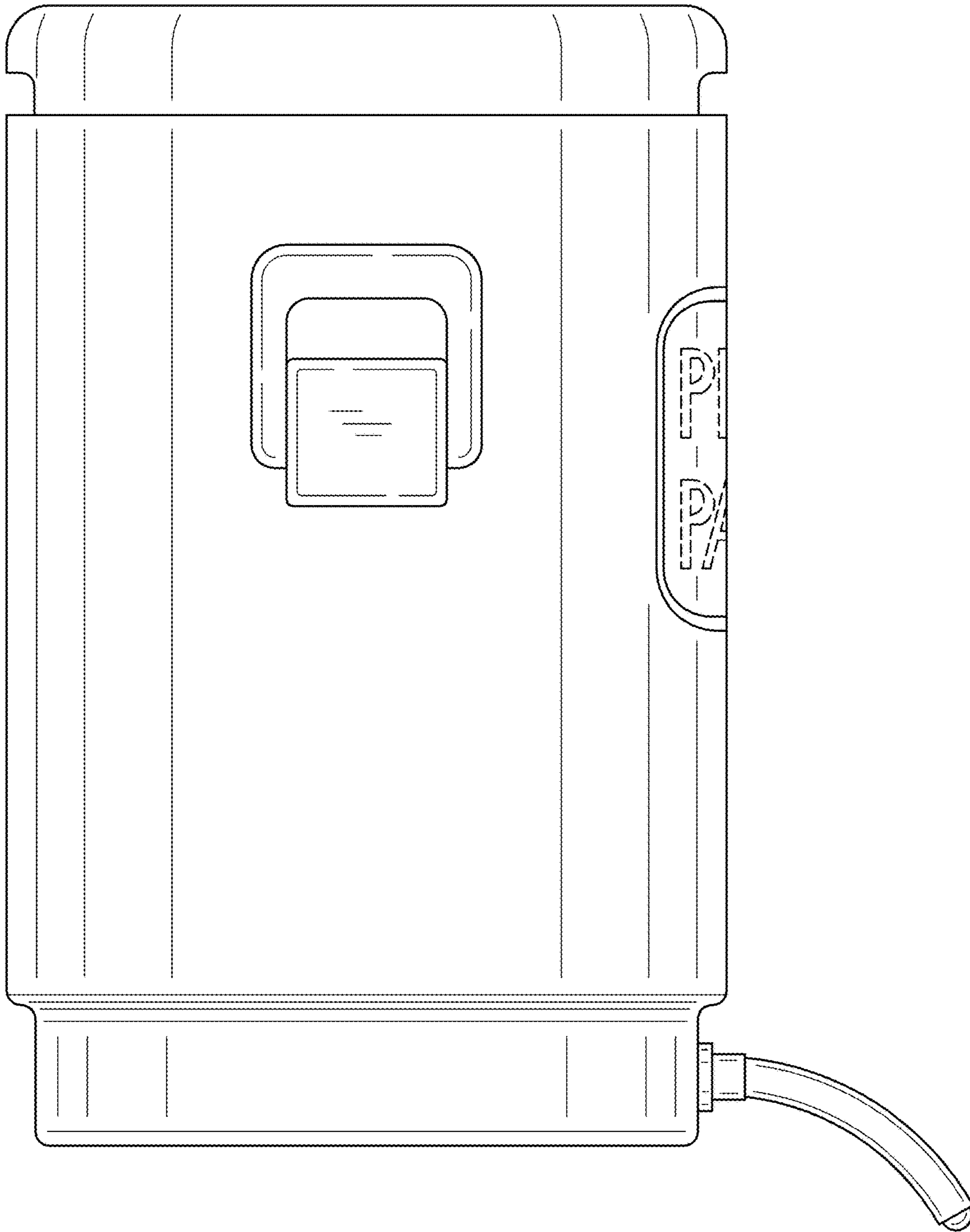


FIG. 3

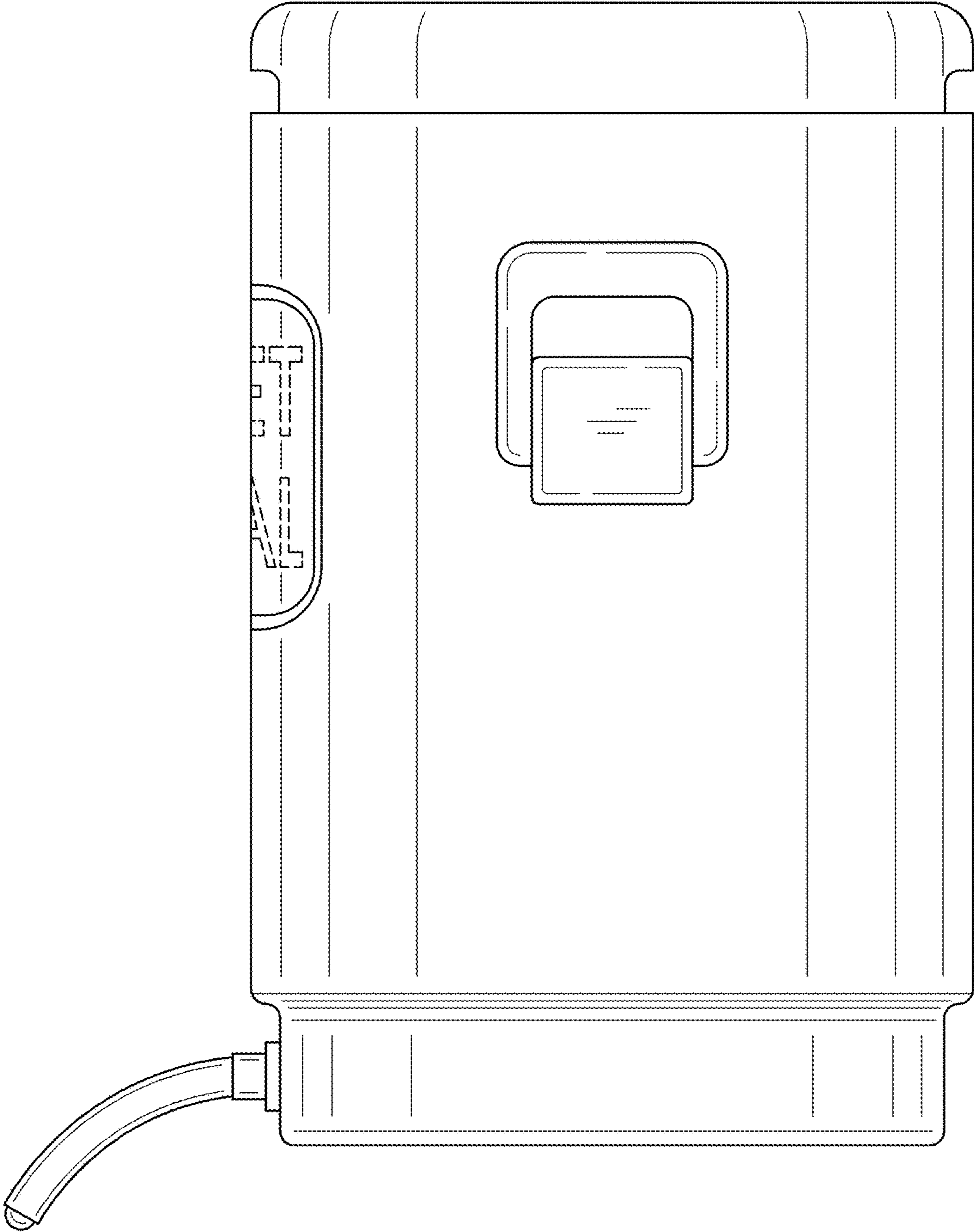


FIG. 4

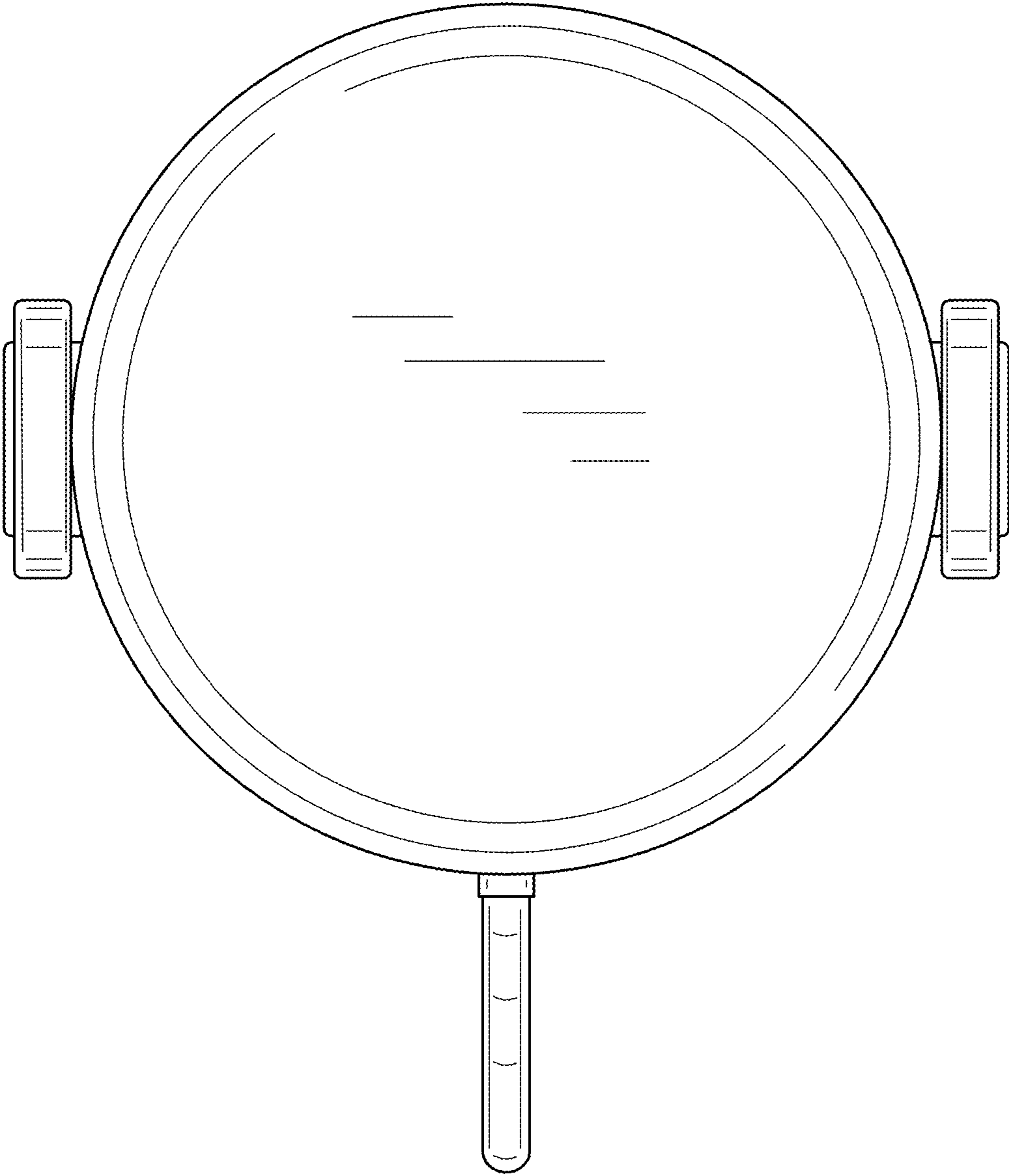


FIG. 5

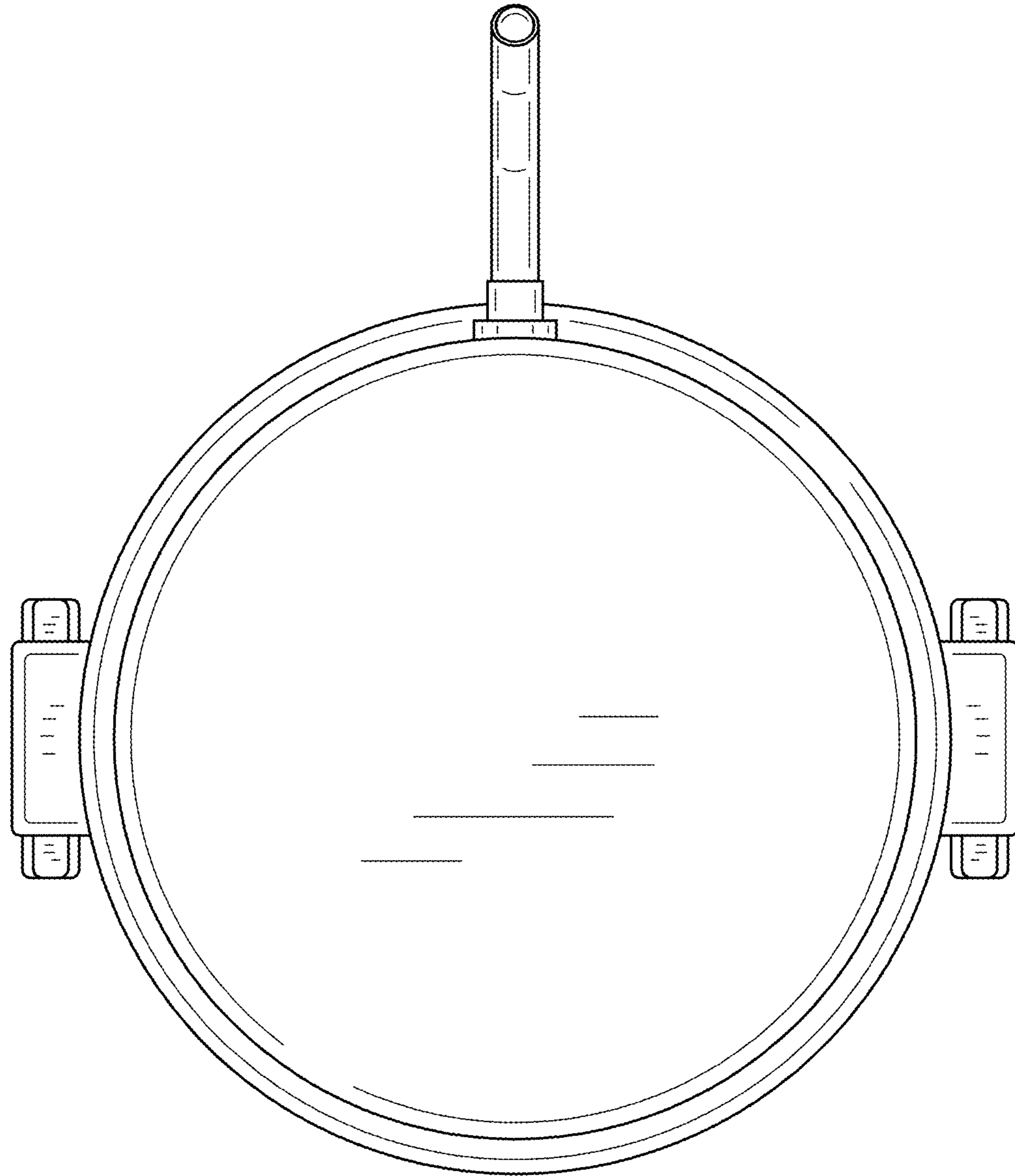


FIG. 6