



US00D805257S

(12) **United States Design Patent** (10) **Patent No.:** **US D805,257 S**
Maansson et al. (45) **Date of Patent:** **** Dec. 12, 2017**

(54) **HEARING PROTECTOR HEADBAND**

(56) **References Cited**

(71) Applicant: **3M INNOVATIVE PROPERTIES COMPANY**, St. Paul, MN (US)

U.S. PATENT DOCUMENTS

(72) Inventors: **Edvard B. E. Maansson**, Shatin (HK);
Gregory G. Jager, Oakdale, MN (US);
Douglas D. Fletcher, Woodbury, MN (US);
Angela L. Pan, Arden Hills, MN (US);
Eric O. Hemberg, Shatin (HK);
Oscar M. Hemberg, Dalarö (SE);
Alonso M. Hernandez, St. Paul, MN (US)

D403,128 S * 12/1998 Scanlon D29/122
D663,902 S * 7/2012 Karlsson A61F 11/14
D14/205
D687,411 S * 8/2013 Lee D14/205
8,605,935 B1 * 12/2013 Huang H04R 1/105
381/374
D763,518 S 8/2016 Fletcher
D764,717 S * 8/2016 Fletcher D29/112

* cited by examiner

(73) Assignee: **3M INNOVATIVE PROPERTIES COMPANY**, St. Paul, MN (US)

Primary Examiner — Randall Gholsonl

(74) *Attorney, Agent, or Firm* — Irina Hass

(**) Term: **15 Years**

(57) **CLAIM**

(21) Appl. No.: **29/579,065**

The ornamental design for a hearing protector headband, as shown and described.

(22) Filed: **Sep. 27, 2016**

(51) **LOC (10) Cl.** **29-02**

(52) **U.S. Cl.**

USPC **D29/122**; D29/112

(58) **Field of Classification Search**

USPC D29/100, 102, 105, 106, 108, 112, 122;
2/455, 410, 417, 423, 424, 425, 9, 171,
2/208, 209, 918; D14/205, 223, 249;
181/129, 130, 135; 379/430, 431;
381/380, 381; 455/90.3, 575.1

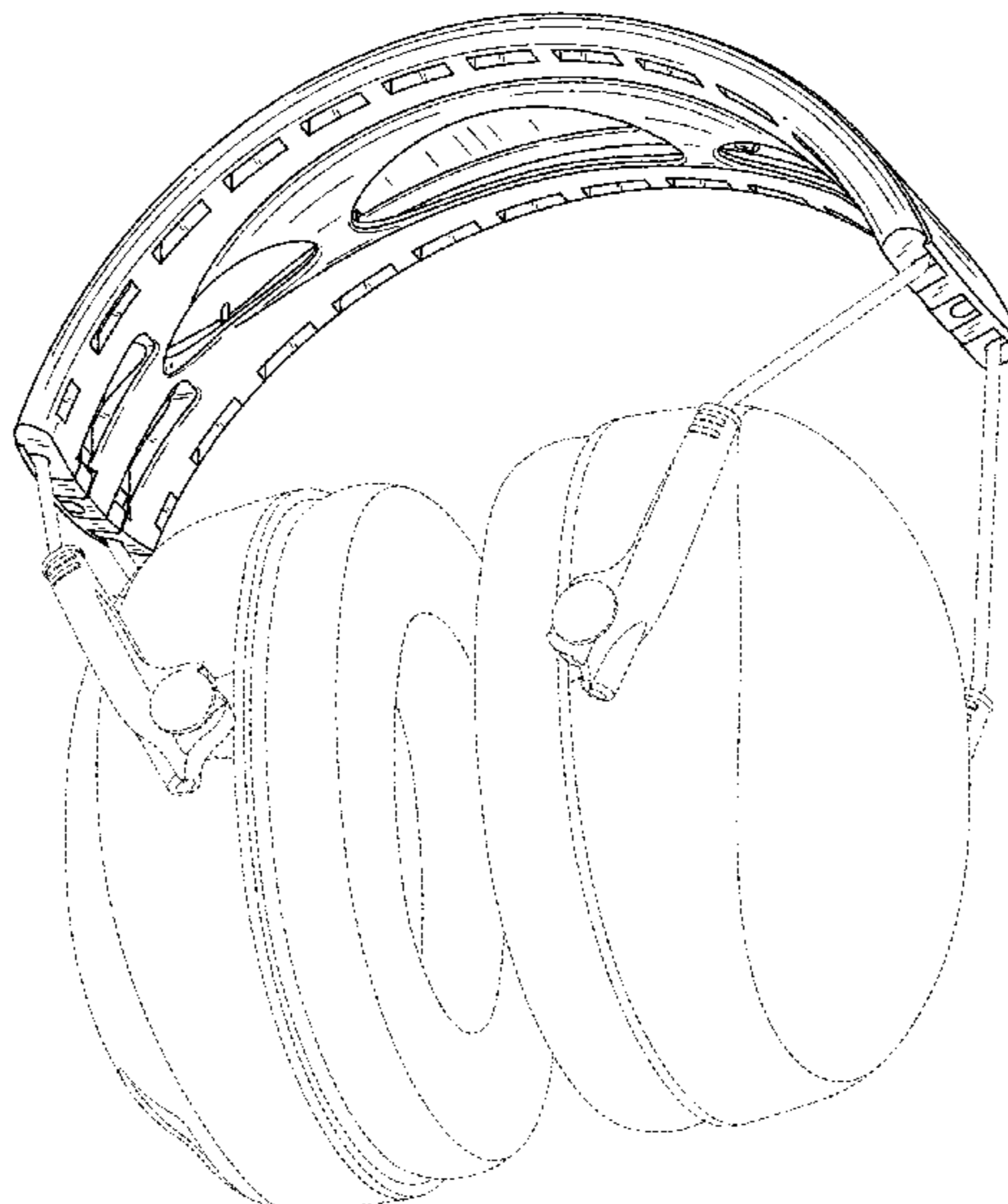
CPC A42B 3/16; A42B 3/163; A42B 3/166;
A61F 11/06; A61F 11/08; A61F 11/10;
A61F 11/12; A61F 11/14; A61F
2011/085; H04R 1/10; H04R 1/1008;
H04R 1/1016; H04R 1/105; H04R
1/1058; H04R 1/1066; H04R 1/1075;
H04R 1/1083; H04R 5/0335; H04R
25/652; H04R 25/654; H04R 25/656;
A63B 71/10

See application file for complete search history.

DESCRIPTION

FIG. 1 is a perspective view showing a new design for a hearing protector headband;
FIG. 2 is a front view thereof, a rear view being a mirror image thereof;
FIG. 3 is a left side view thereof;
FIG. 4 is a right side view thereof;
FIG. 5 is a top view thereof;
FIG. 6 is a bottom view thereof; and,
FIG. 7 is a second bottom view thereof showing the hearing protector headband without earmuffs.
The portions of the hearing protector headband in FIGS. 1-7 shown in broken lines are included to show features that form no part of the claimed design.

1 Claim, 6 Drawing Sheets



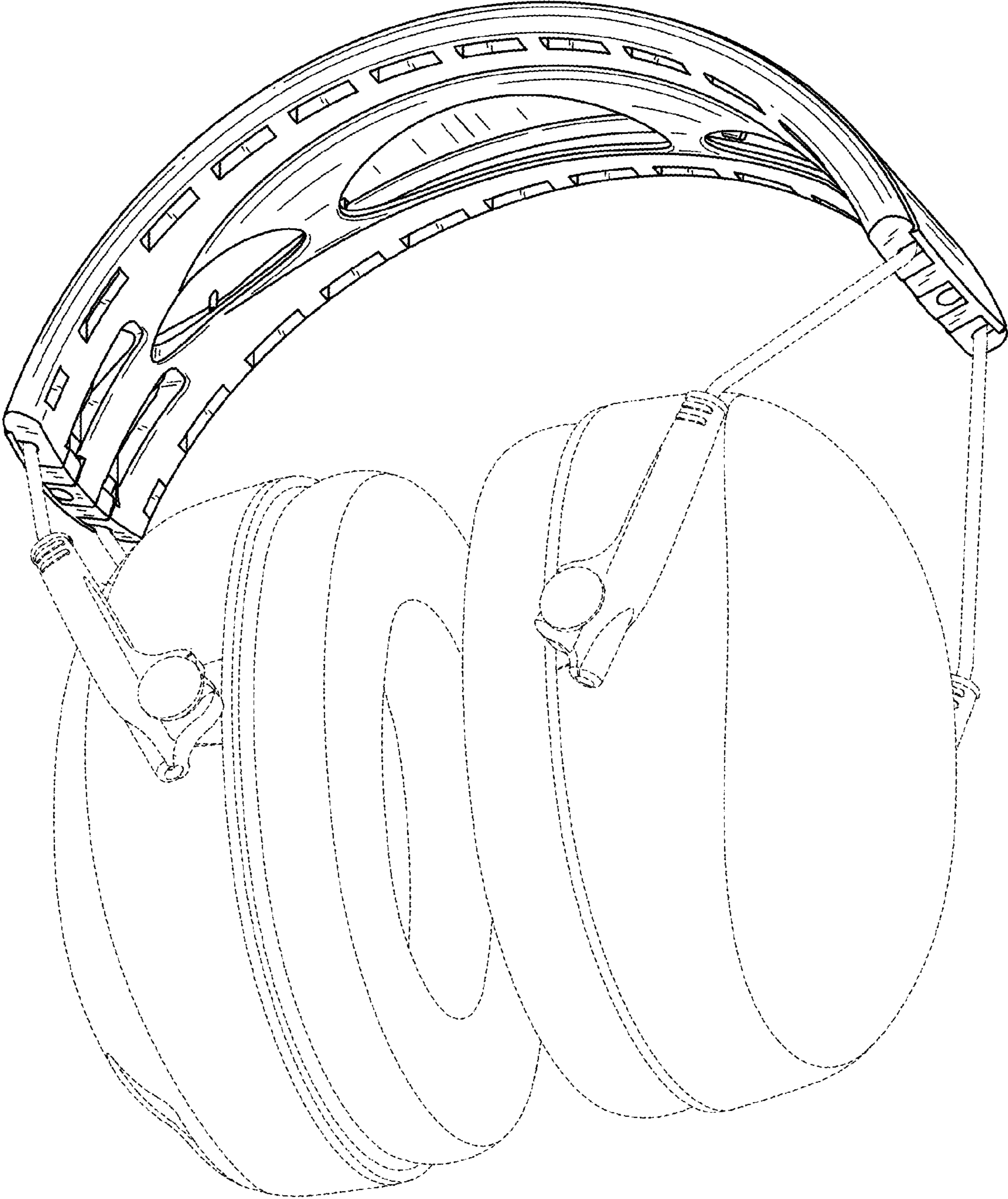


FIG. 1

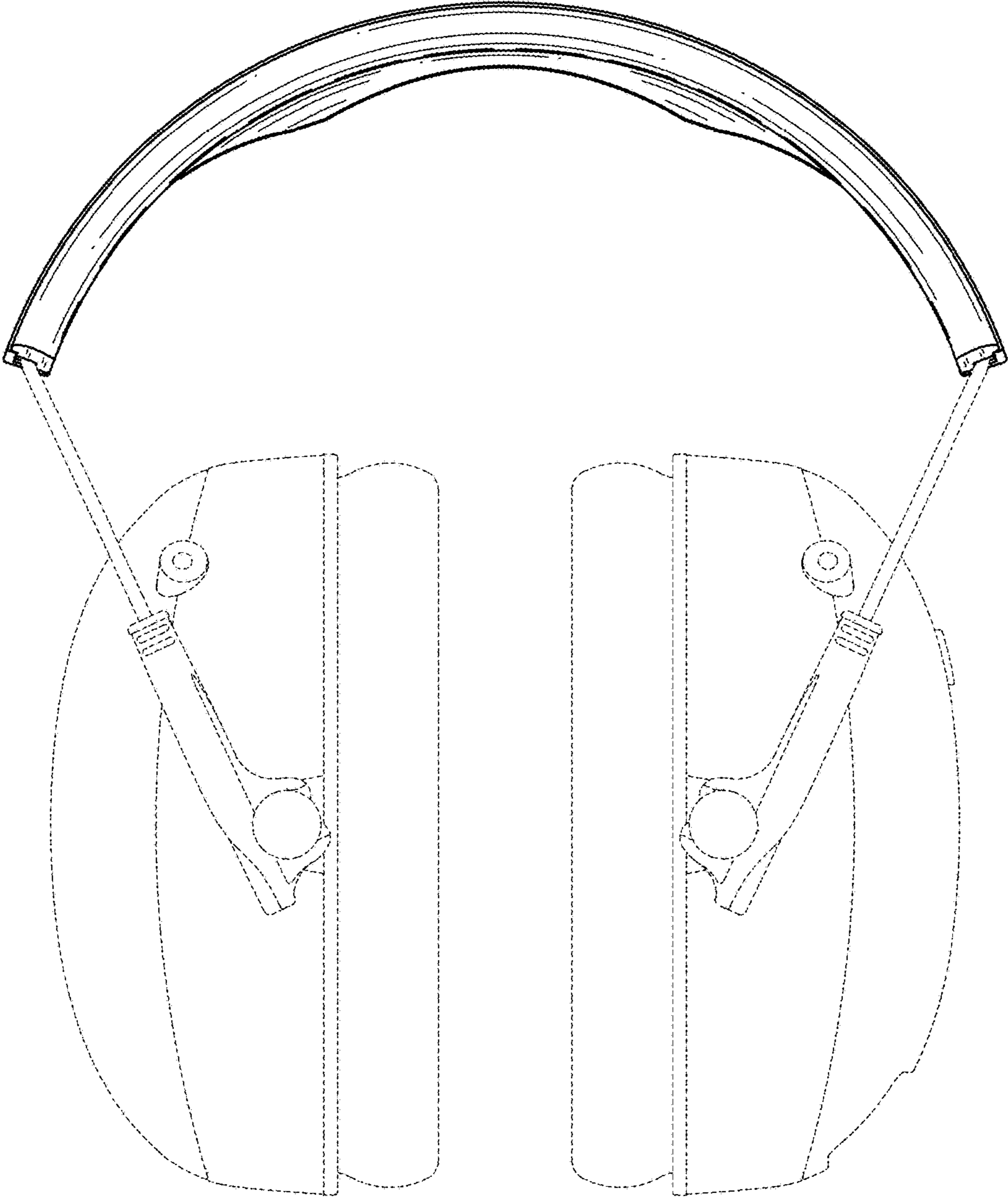


FIG. 2

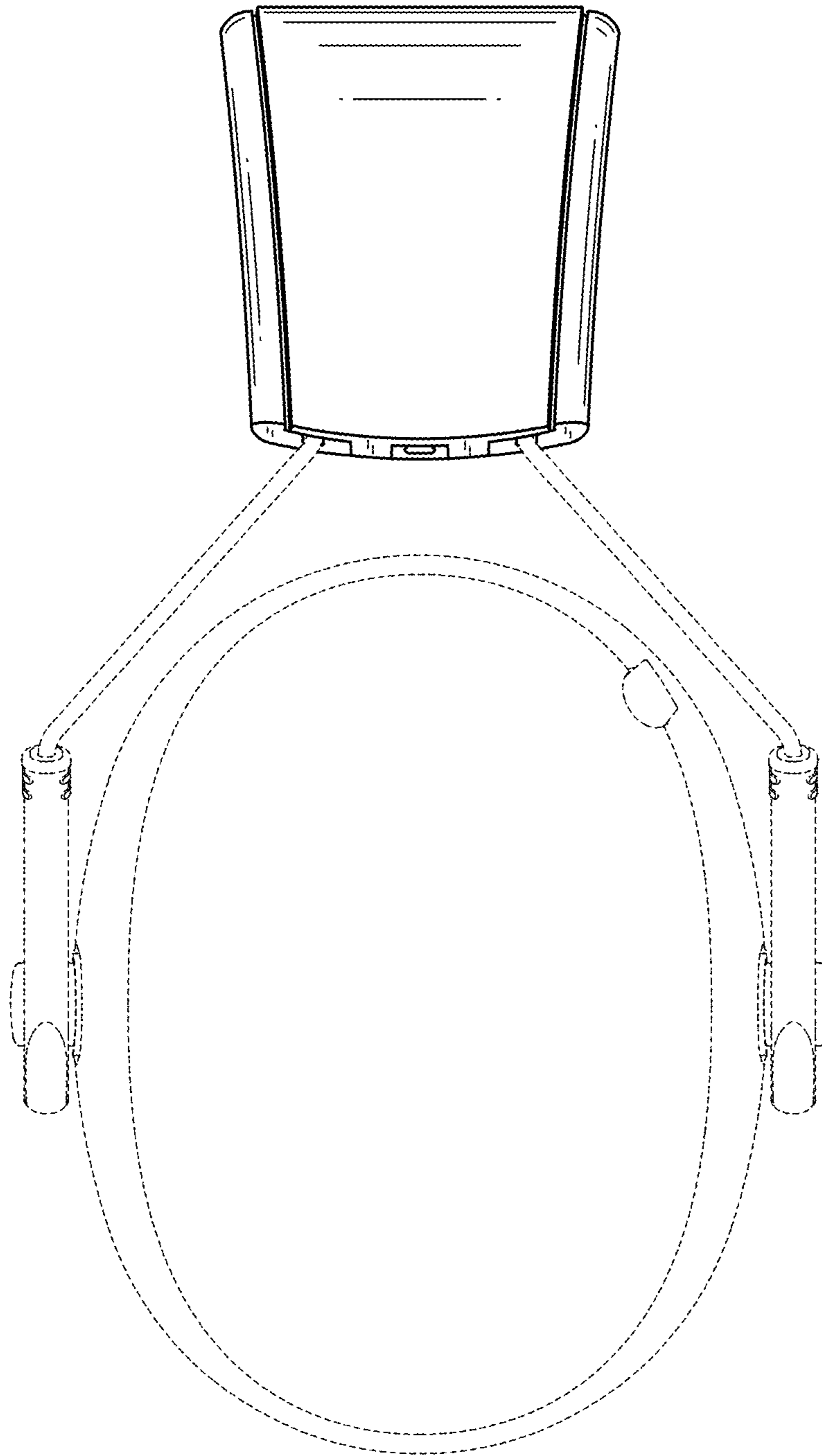


FIG. 3

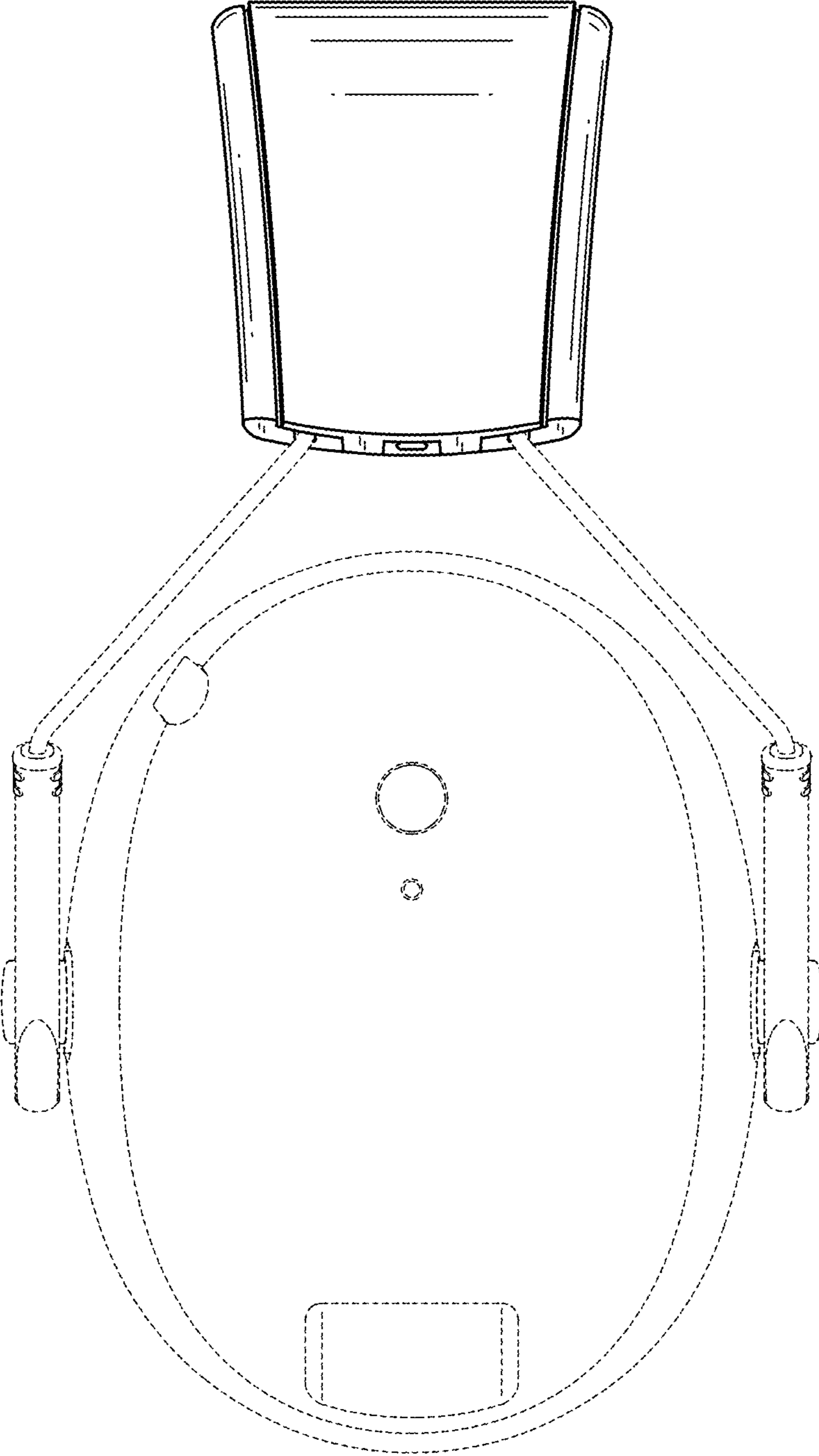


FIG. 4

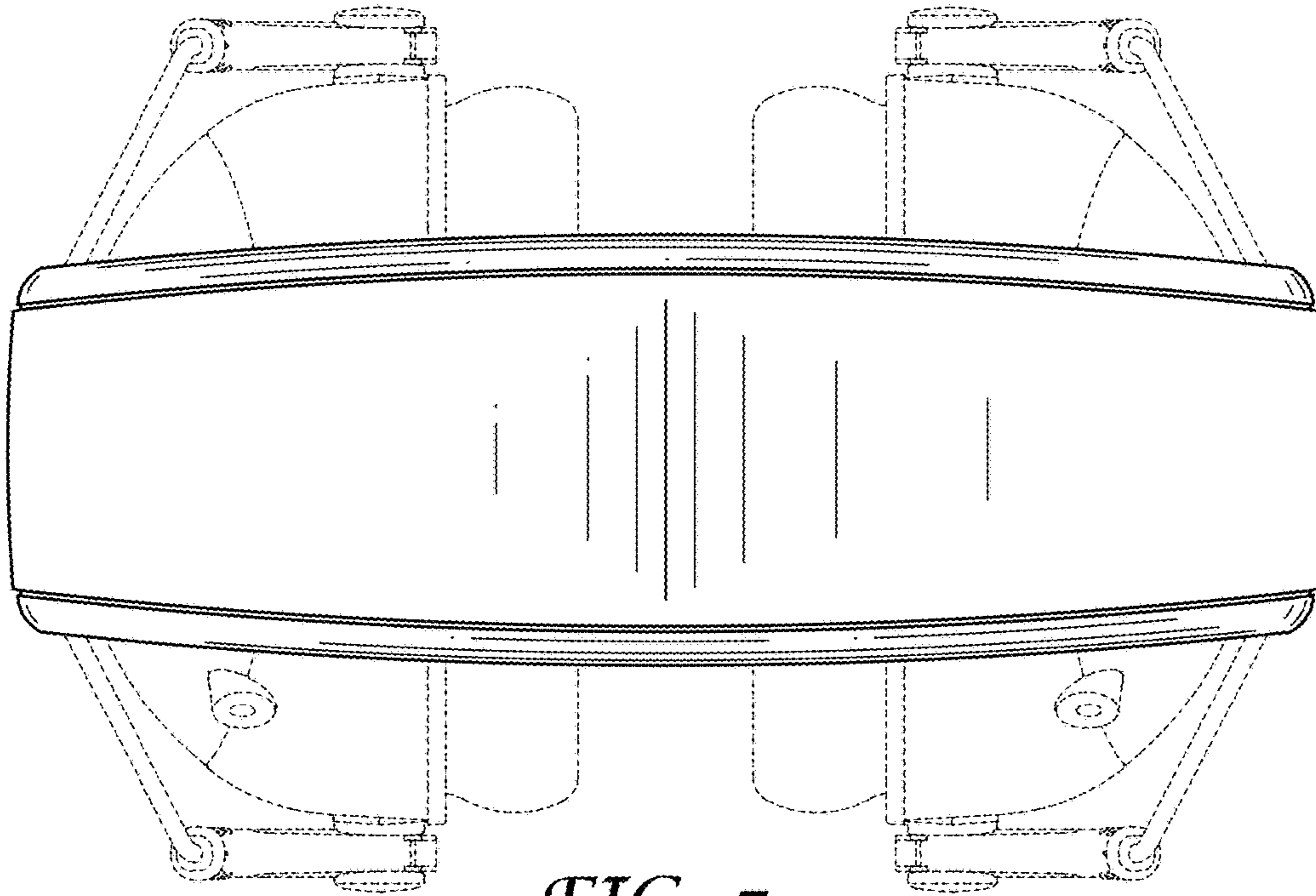


FIG. 5

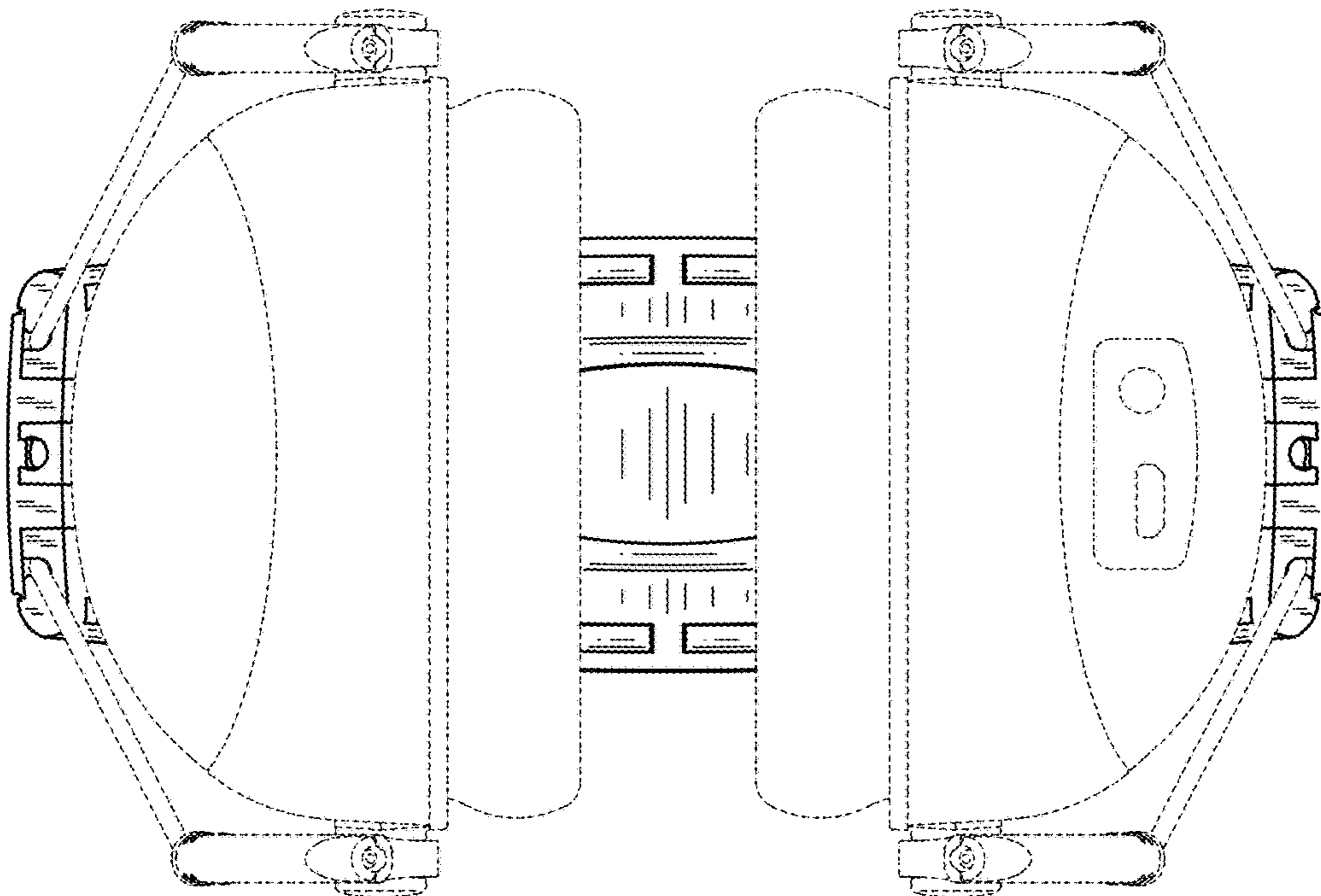


FIG. 6

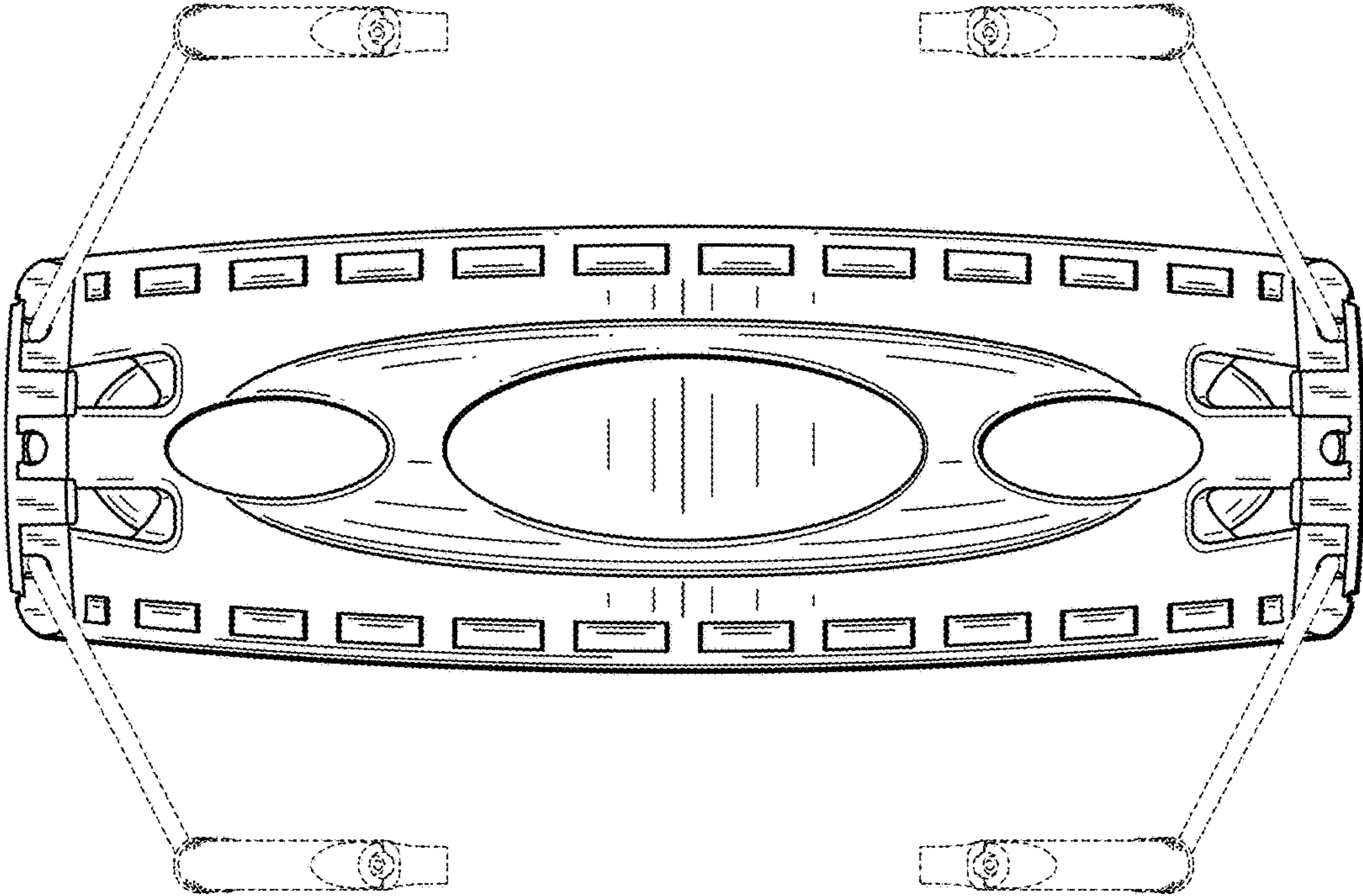


FIG. 7