



US00D805252S

(12) **United States Design Patent** (10) **Patent No.:** **US D805,252 S**
Newlin (45) **Date of Patent:** **** Dec. 12, 2017**

(54) **RAZOR HANDLE**
(71) Applicant: **Harry's, Inc.**, New York, NY (US)
(72) Inventor: **Scott Newlin**, Brooklyn, NY (US)
(73) Assignee: **Harry's, Inc.**, New York, NY (US)
(**) Term: **15 Years**
(21) Appl. No.: **29/556,990**
(22) Filed: **Mar. 4, 2016**
(51) **LOC (10) Cl.** **28-03**
(52) **U.S. Cl.**
USPC **D28/48**
(58) **Field of Classification Search**
USPC D28/44, 45-48
CPC B26B 21/00-21/06; B26B 21/08-21/125;
B26B 21/40-21/4031; B26B 21/4043;
B26B 21/4062; B26B 21/4068-21/4075;
B26B 21/44-21/443; B26B 21/52-21/528
See application file for complete search history.

(56) **References Cited**
U.S. PATENT DOCUMENTS
D344,134 S * 2/1994 Dingelstad D28/10
D346,880 S * 5/1994 Meisner D28/48
D351,925 S * 10/1994 Meisner D28/48
D352,568 S * 11/1994 Meisner D28/48
D403,112 S * 12/1998 Engel D28/46
D607,151 S * 12/2009 Kling D28/48
D612,102 S * 3/2010 Kling D28/48
D626,692 S * 11/2010 Leventhal D28/44.1
D627,102 S * 11/2010 Leventhal D28/44.1
D635,301 S * 3/2011 Cormier D28/46
D646,437 S * 10/2011 Leventhal D28/49
D710,542 S * 8/2014 Eagleton D28/48
D747,550 S * 1/2016 Eagleton D28/48
D791,409 S * 7/2017 Eagleton D28/48

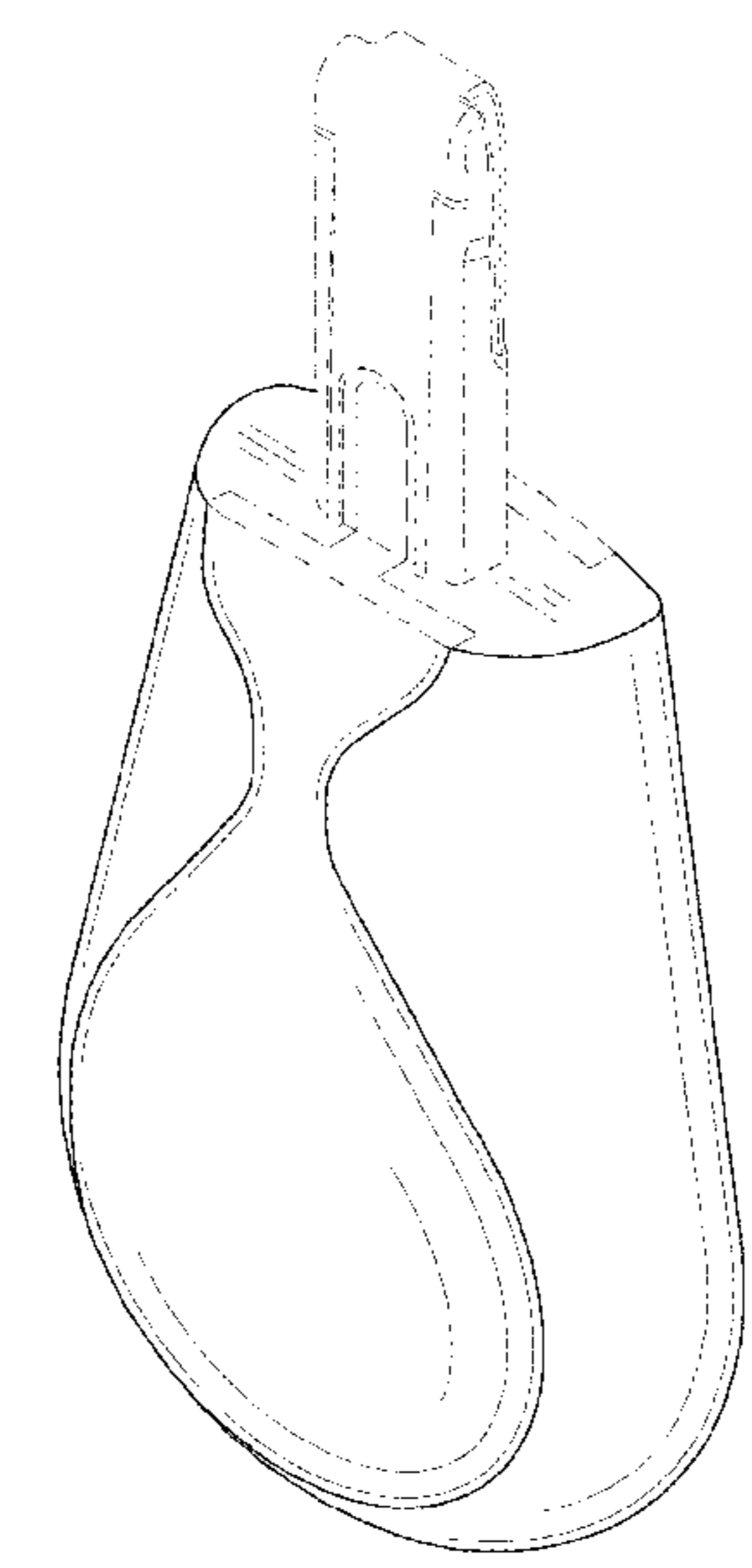
2004/0181954 A1* 9/2004 Follo B26B 21/222
30/527
2011/0252646 A1* 10/2011 Gordon B26B 21/225
30/47
2013/0061481 A1* 3/2013 Cooney B26B 21/521
30/526
2014/0230257 A1* 8/2014 Eagleton B26B 21/522
30/526
2016/0151924 A1* 6/2016 Gers-Barlag B26B 21/52
30/34.05

* cited by examiner
Primary Examiner — Jennifer Rivard
(74) *Attorney, Agent, or Firm* — Florek & Endres PLLC

(57) **CLAIM**
I claim the ornamental design for a razor handle, as shown and described.

DESCRIPTION
FIG. 1 is a perspective view of the razor handle of the present invention.
FIG. 2 is a top plan view of the razor handle of the present invention.
FIG. 3 is a bottom plan view of the razor handle of the present invention.
FIG. 4 is a right side elevation view of the razor handle of the present invention.
FIG. 5 is a left side elevation view of the razor handle of the present invention.
FIG. 6 is a front elevation view of the razor handle of the present invention; and,
FIG. 7 is a rear elevation view of the razor handle of the present invention.
The broken lines illustrate portions of the razor handle and form no part of the claimed design.

1 Claim, 7 Drawing Sheets



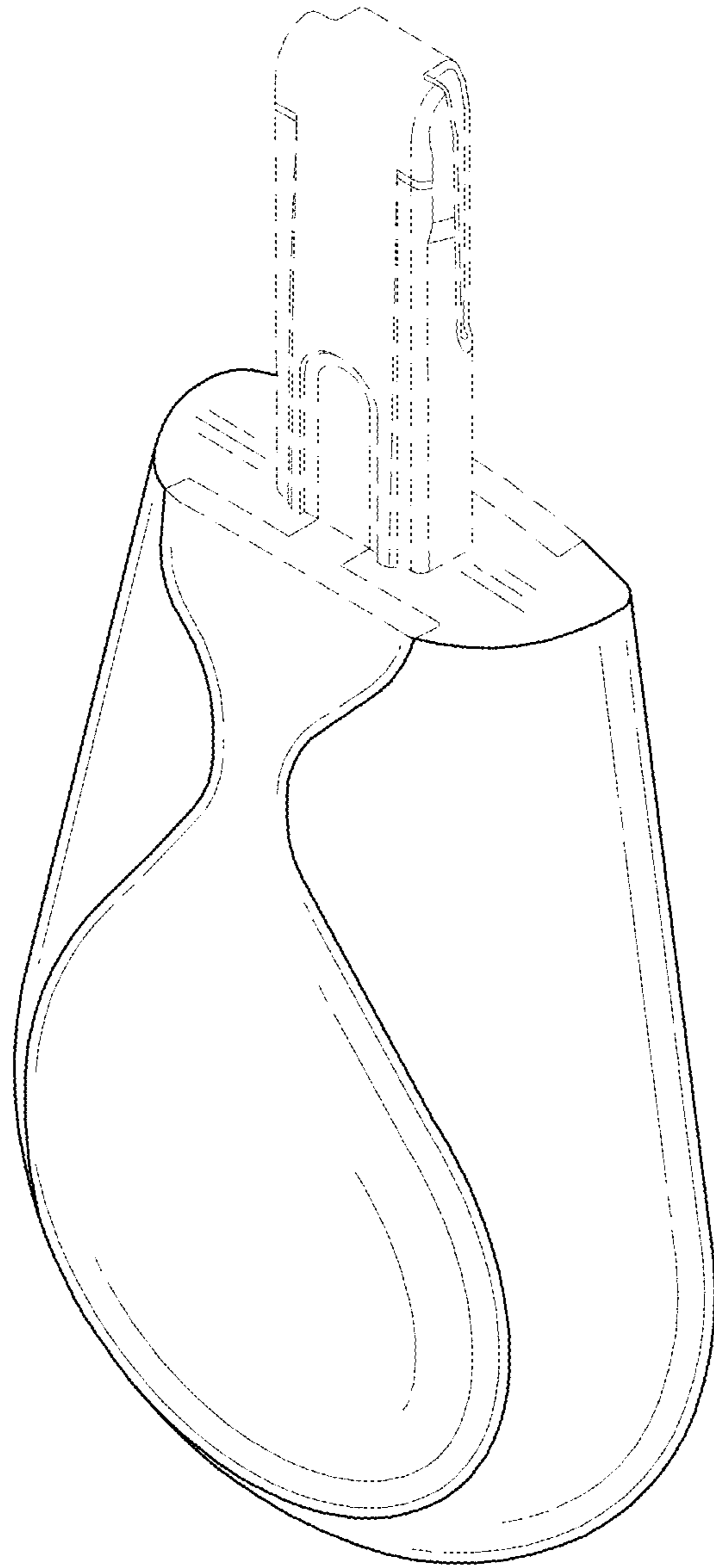


FIG. 1

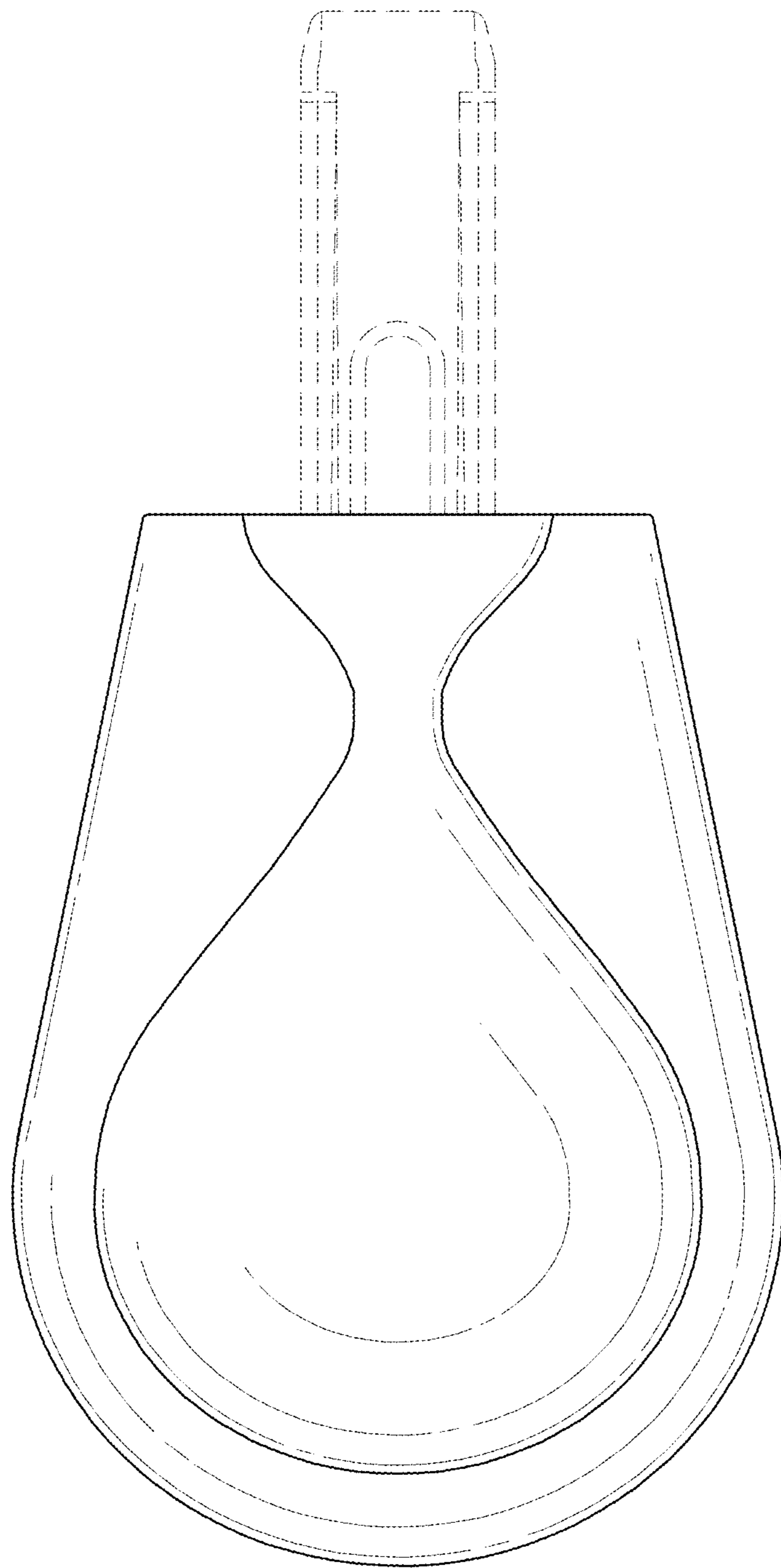


FIG. 2

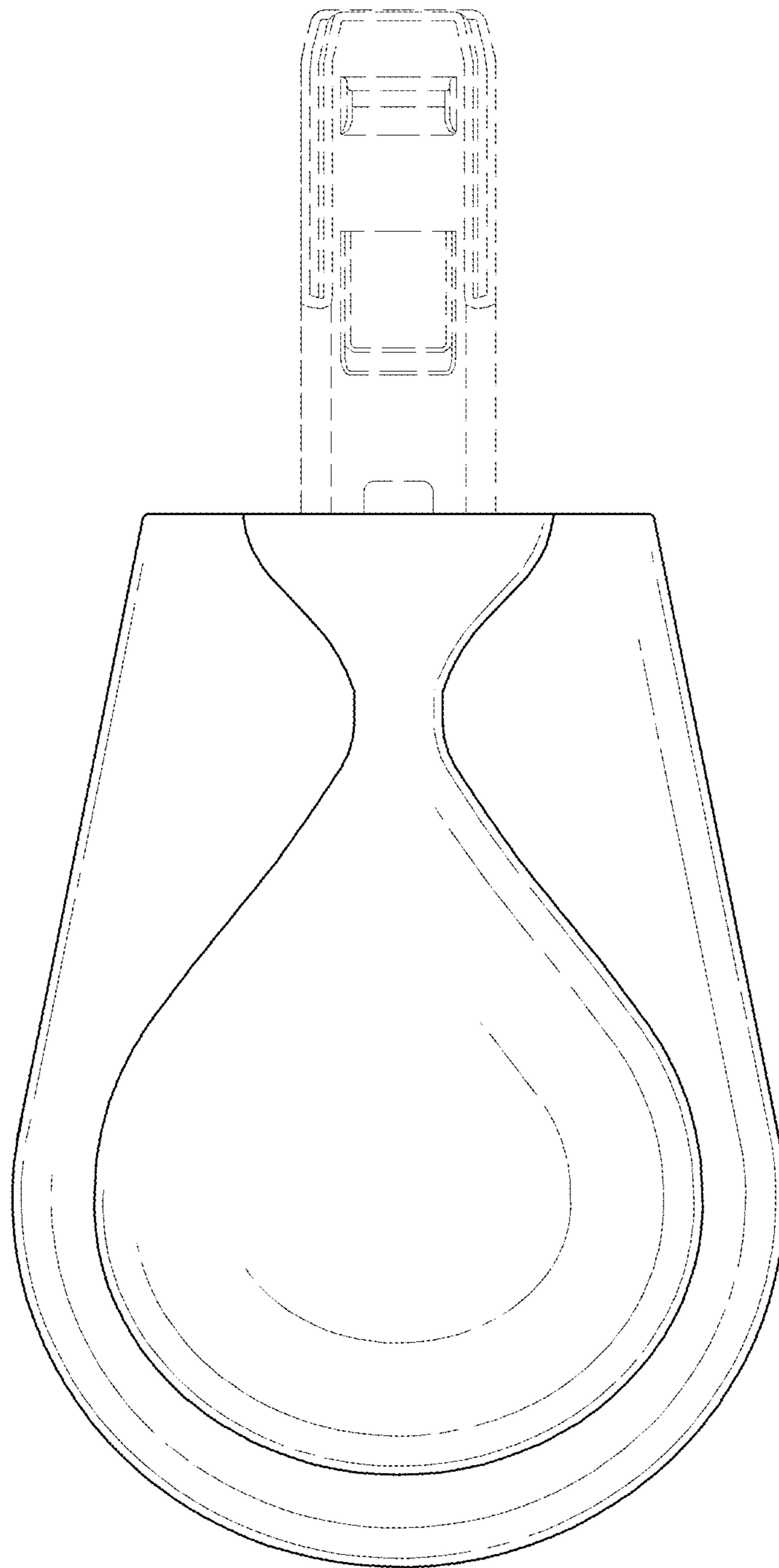


FIG. 3

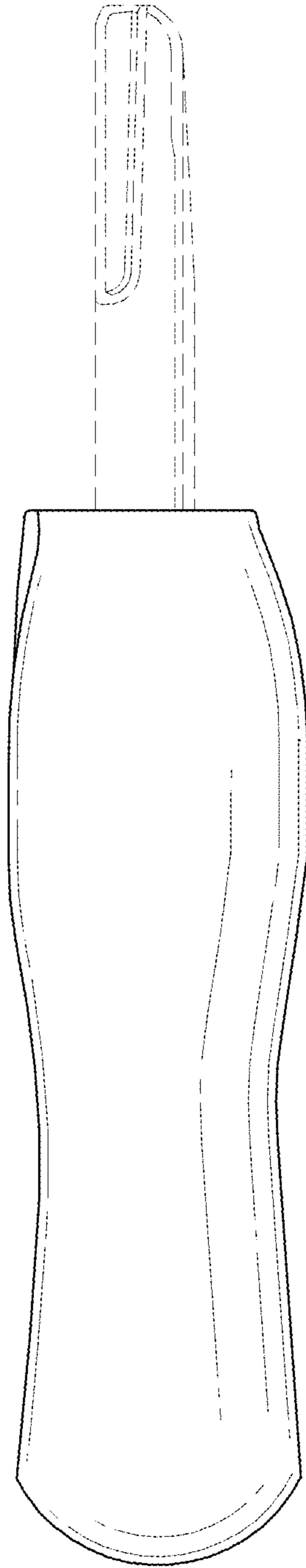


FIG. 4

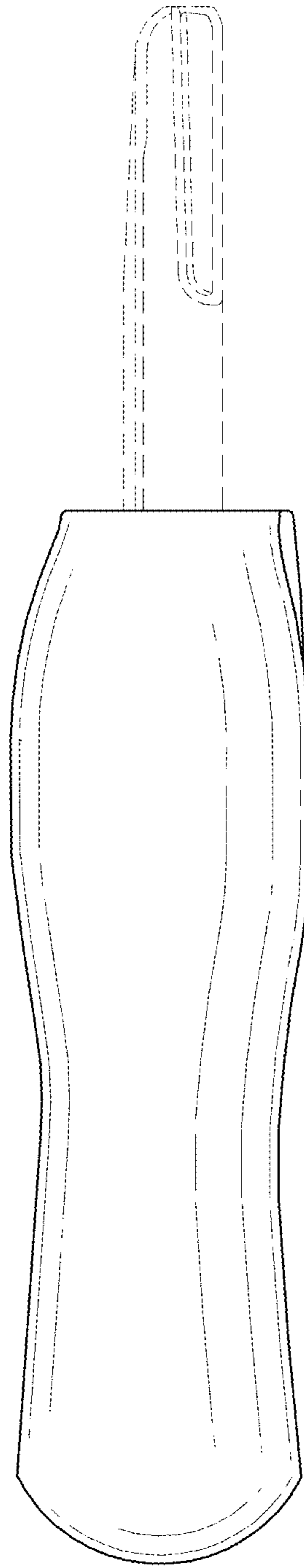


FIG. 5

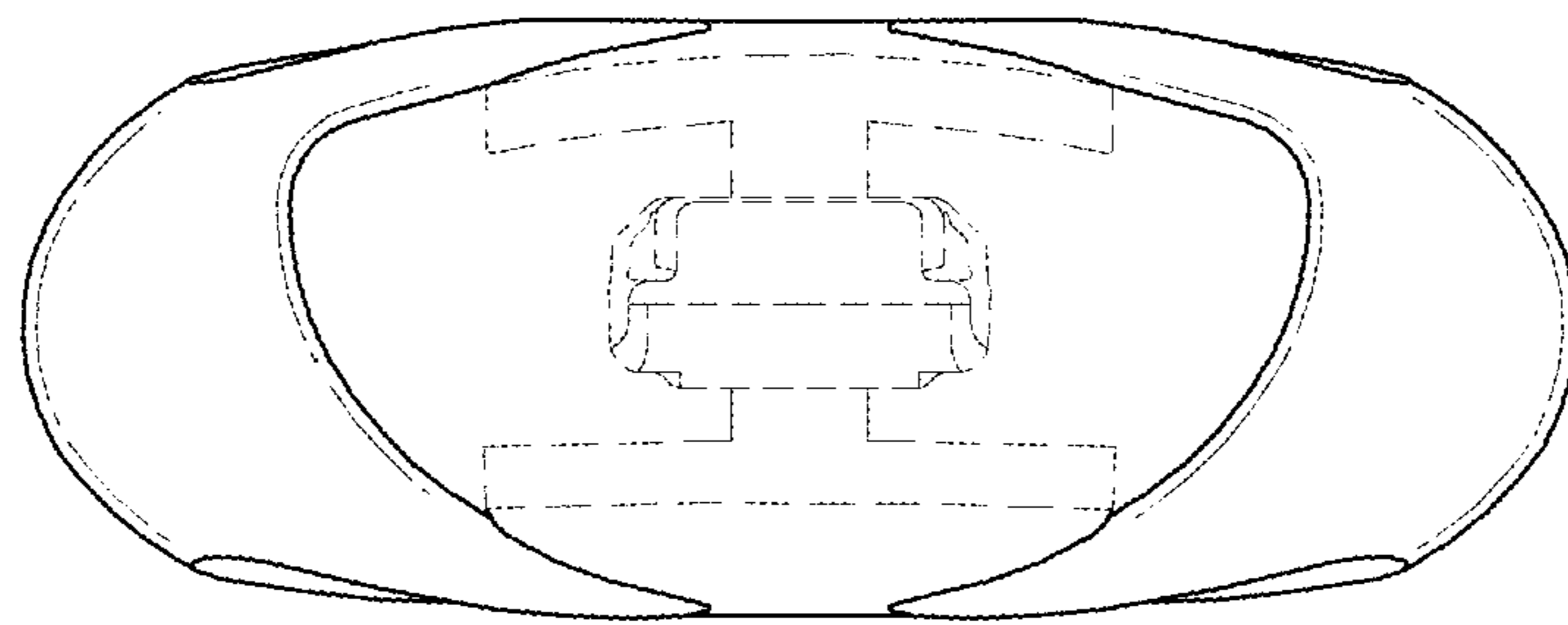


FIG. 6

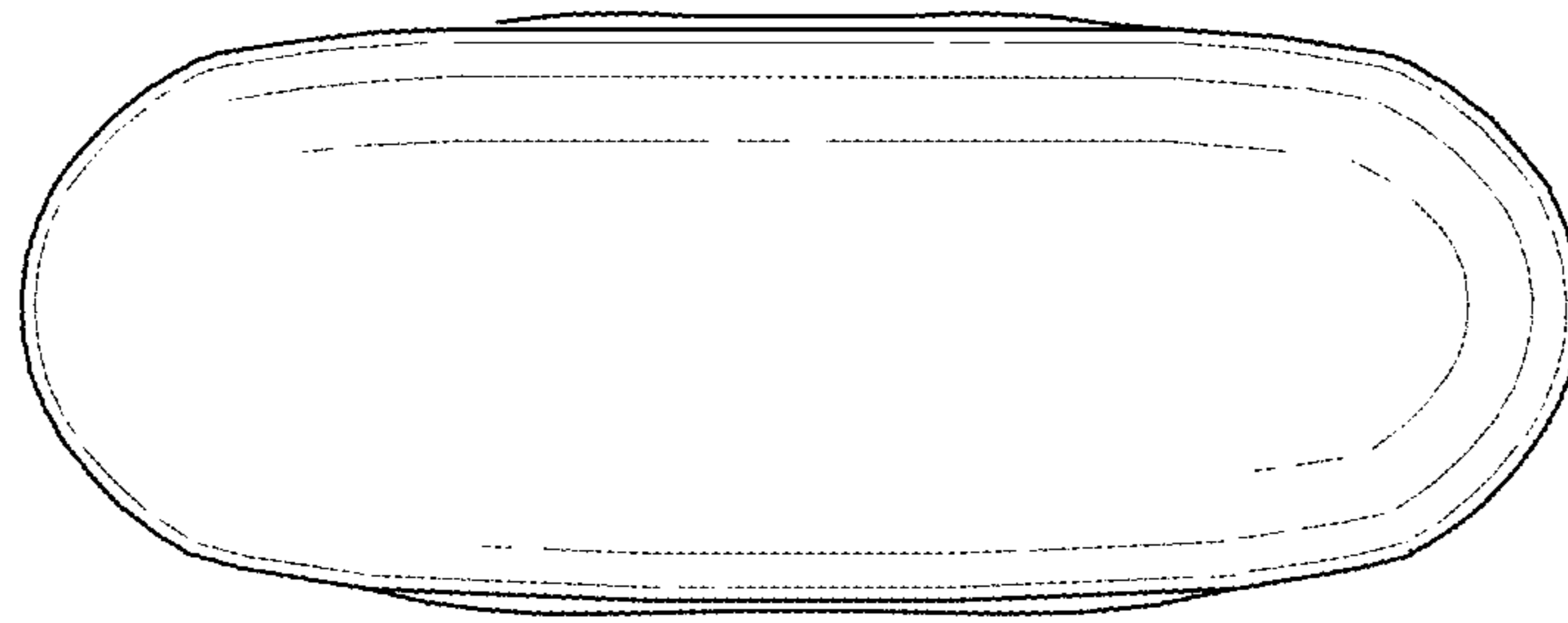


FIG. 7