



US00D805249S

(12) **United States Design Patent** (10) **Patent No.:** **US D805,249 S**
Casalino (45) **Date of Patent:** **** Dec. 12, 2017**

(54) **CIGAR HOLDER**

(71) Applicant: **Steven Casalino**, Hallandale Beach, FL (US)

(72) Inventor: **Steven Casalino**, Hallandale Beach, FL (US)

(**) Term: **15 Years**

(21) Appl. No.: **29/572,914**

(22) Filed: **Aug. 1, 2016**

(51) **LOC (10) Cl.** **27-06**

(52) **U.S. Cl.**
USPC **D27/183**

(58) **Field of Classification Search**

USPC D27/170–174, 180–184, 191
CPC A24F 7/00; A24F 7/02; A24F 7/04; A24F 13/00; A24F 13/02; A24F 13/22; A24F 9/14; A24F 19/00; A24F 19/14

See application file for complete search history.

(56) **References Cited**

U.S. PATENT DOCUMENTS

4,646,999	A	3/1987	Clark	
D375,815	S *	11/1996	Kagasoff	D21/793
5,588,448	A	12/1996	Photakis	
D379,551	S *	5/1997	Hubbard	D27/183
D385,059	S *	10/1997	Jenkins	D27/183
D389,214	S *	1/1998	Impastato, II	D21/794
D392,410	S *	3/1998	Lukach	D27/183
5,806,669	A	9/1998	Kim	
D404,521	S	1/1999	Pituck et al.	
D485,393	S *	1/2004	Cervantes	D27/183
D550,898	S *	9/2007	Burkholder	D27/183
D575,449	S *	8/2008	Williamson	D27/183
D695,865	S *	12/2013	Swan	D21/796
D736,454	S *	8/2015	Audibert	D27/183
D777,469	S *	1/2017	Casalino	D6/526
2006/0266374	A1	11/2006	Nyborg et al.	
2006/0272661	A1 *	12/2006	Monteleone	A24F 13/22 131/259

2017/0000186 A1* 1/2017 Russell A24F 13/12

* cited by examiner

Primary Examiner — Eric Goodman

Assistant Examiner — Jennifer Campbell

(74) *Attorney, Agent, or Firm* — Laurence A. Greenberg; Werner H. Stemer; Ralph E. Locher

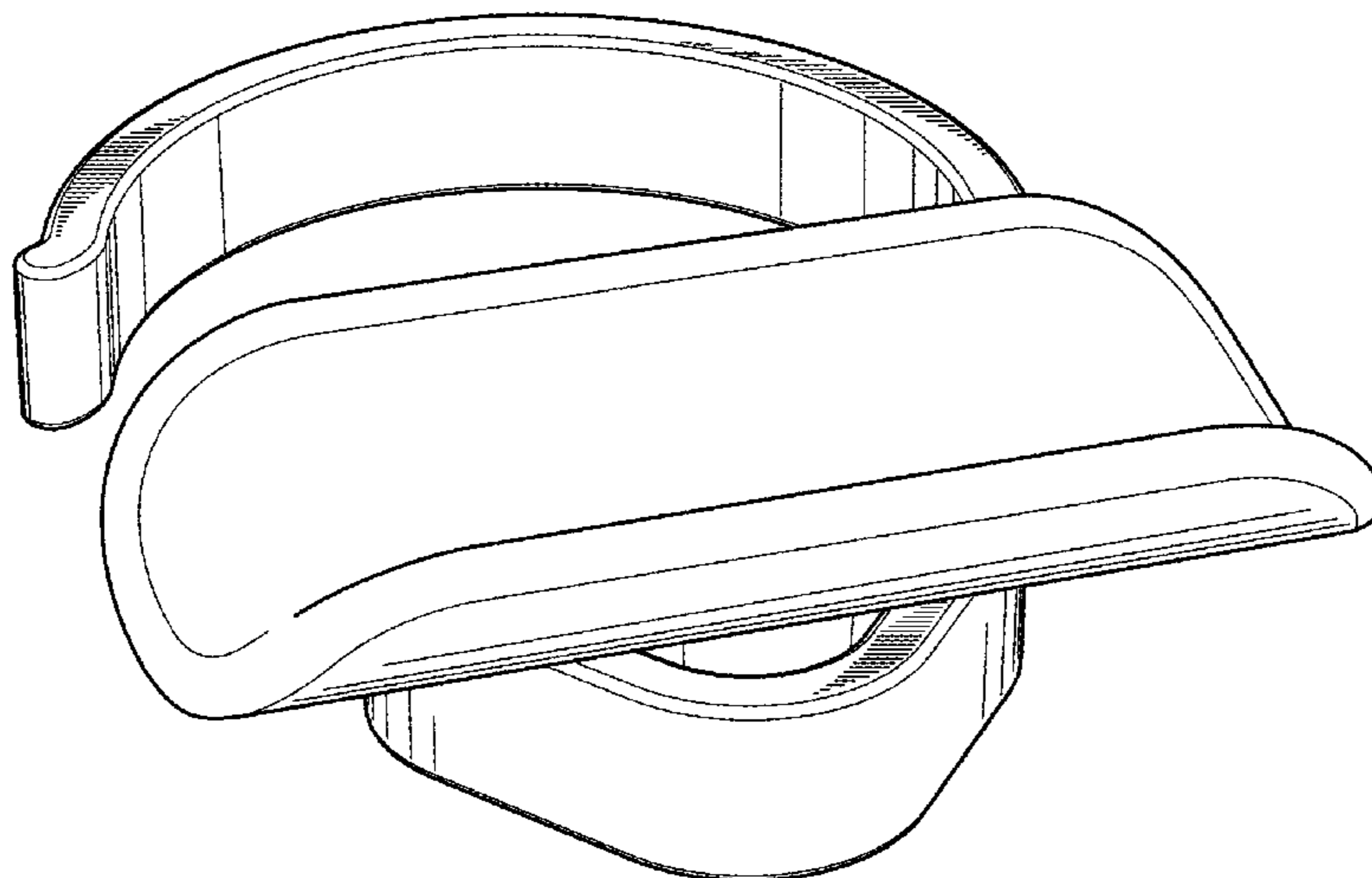
(57) **CLAIM**

The ornamental design for a cigar holder, as shown and described.

DESCRIPTION

FIG. 1 is a top-right perspective view of the tray of the cigar holder showing my new invention;
 FIG. 2 is a top-left perspective view thereof;
 FIG. 3 is a bottom-right perspective view thereof;
 FIG. 4 is a bottom-left perspective view thereof;
 FIG. 5 is a right side elevational view thereof;
 FIG. 6 is a left side elevational view thereof;
 FIG. 7 is one end elevational view thereof;
 FIG. 8 is an opposite end elevational view thereof;
 FIG. 9 is a top-plan view thereof;
 FIG. 10 is a bottom-plan view thereof;
 FIG. 11 is an assembled perspective view of the tray and the clip of the cigar holder;
 FIG. 12 is an exploded perspective view thereof;
 FIG. 13 is a bottom-plan view of the assembled tray and clip;
 FIG. 14 is a top-plan view thereof;
 FIG. 15 is a right side elevational view thereof;
 FIG. 16 is a left side elevational view thereof;
 FIG. 17 is one end elevational view thereof;
 FIG. 18 is an opposite end elevational view thereof; and,
 FIG. 19 is an assembled perspective view of the tray and the clip of the cigar holder clipped onto a bottle.
 The broken lines depict environmental structure and do not form a part of the claim.

1 Claim, 12 Drawing Sheets



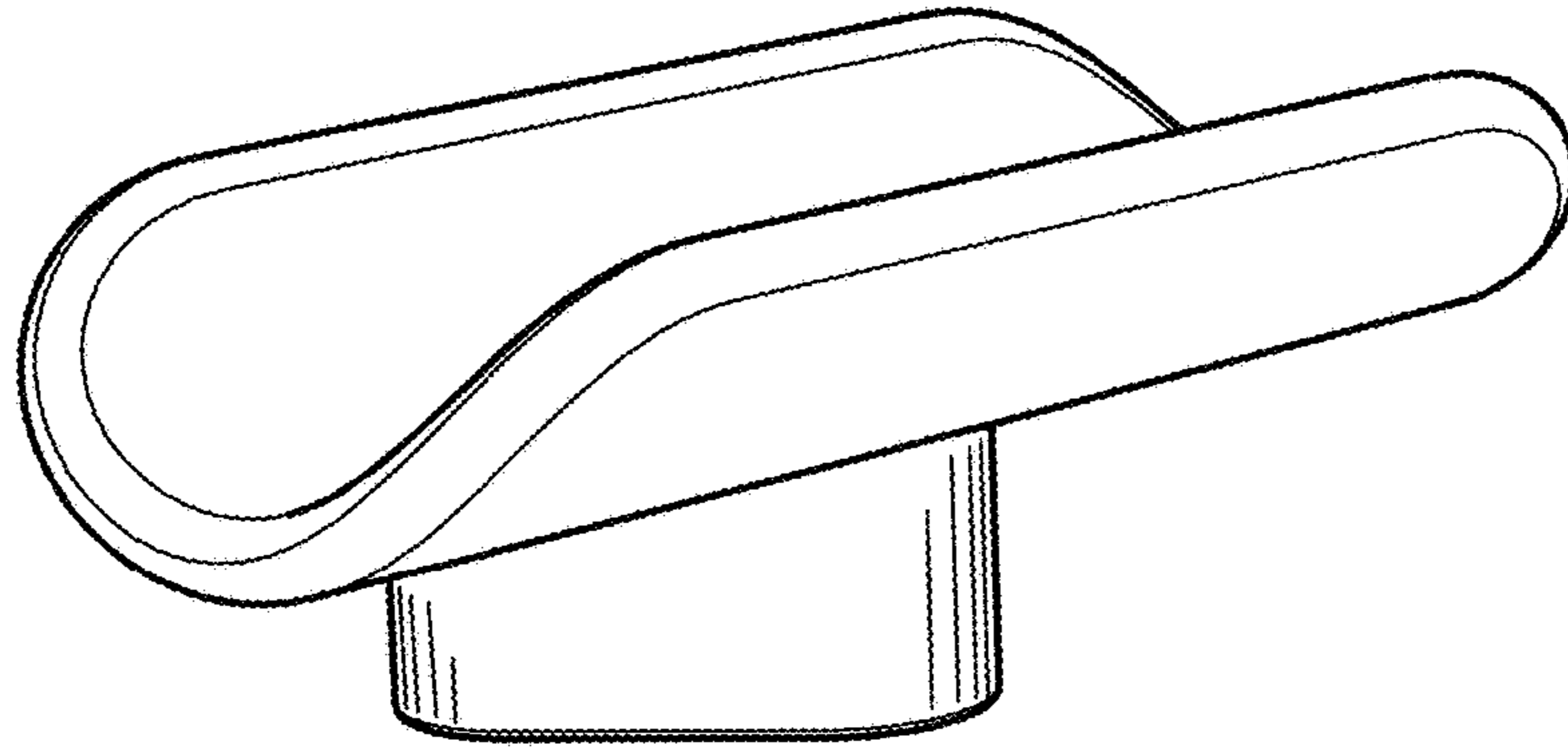


FIG. 1

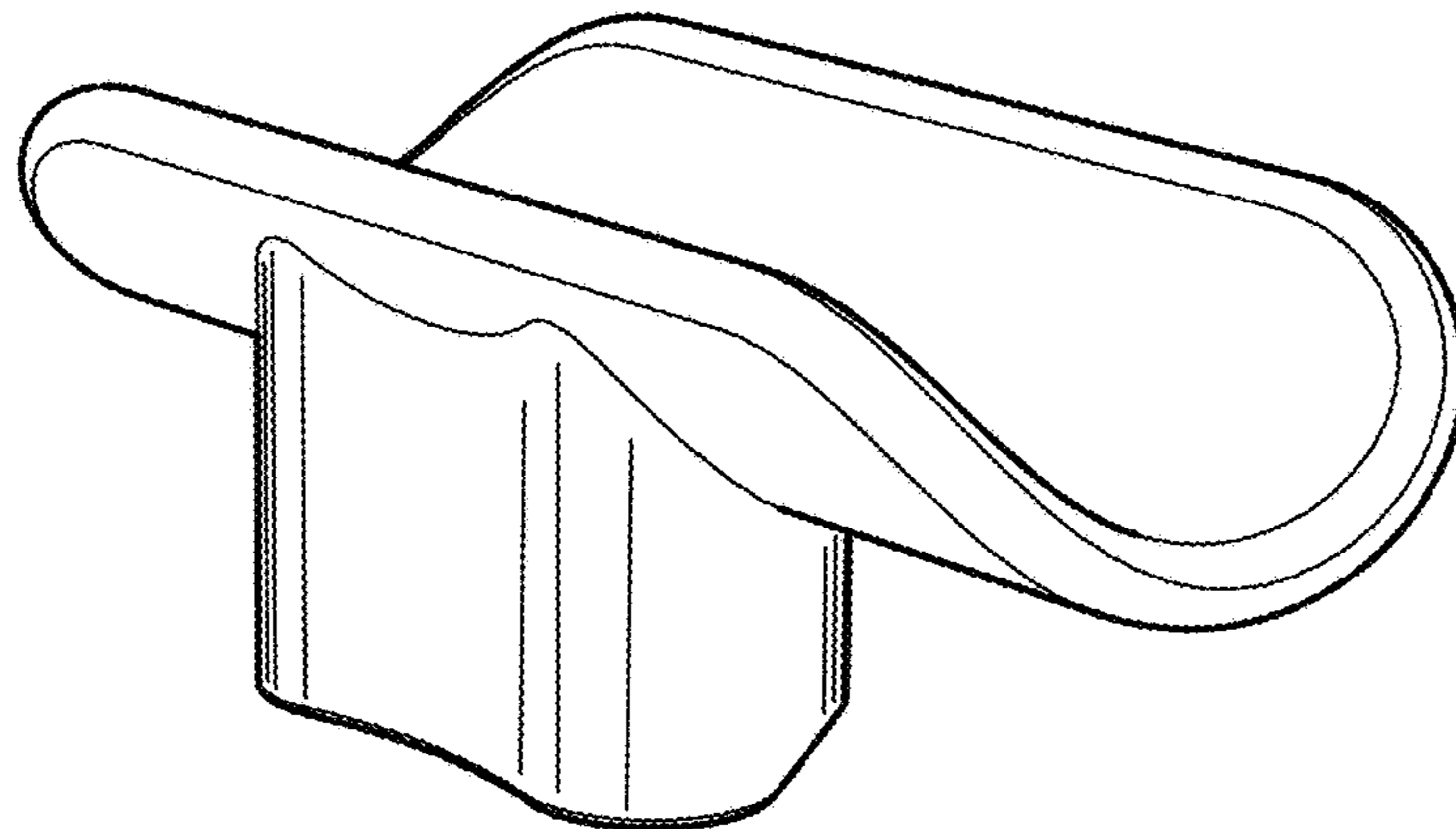


FIG. 2

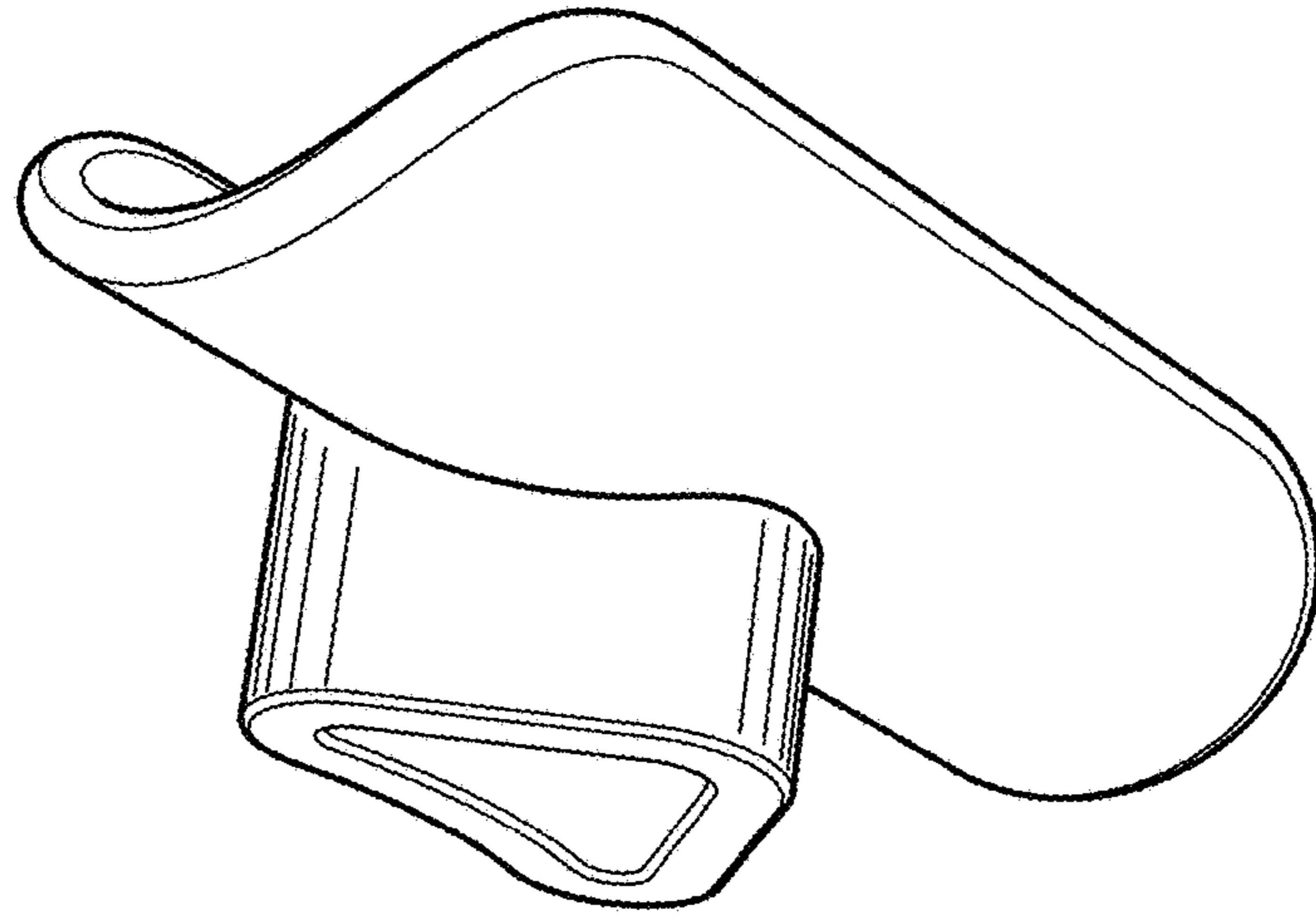


FIG. 3

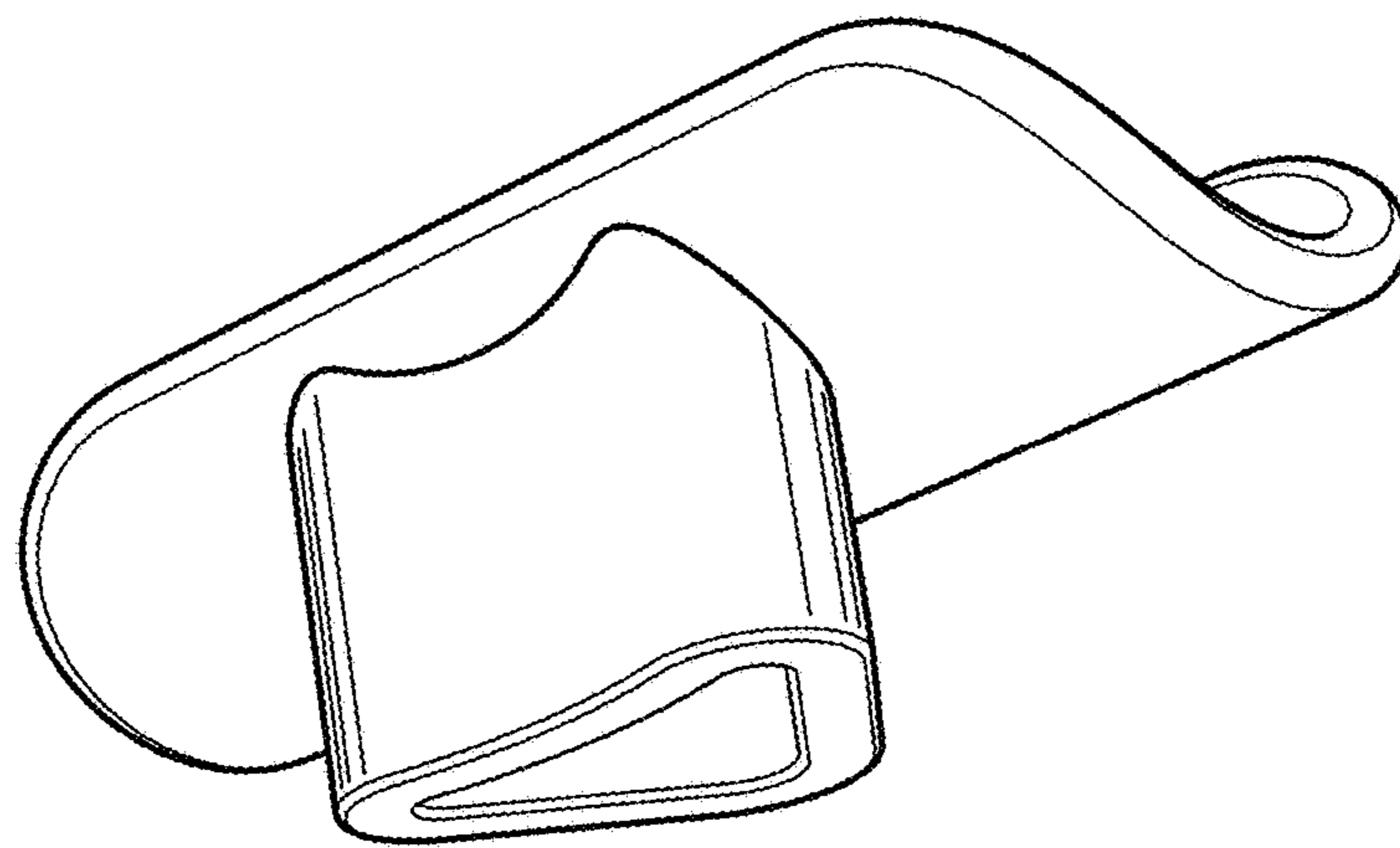


FIG. 4

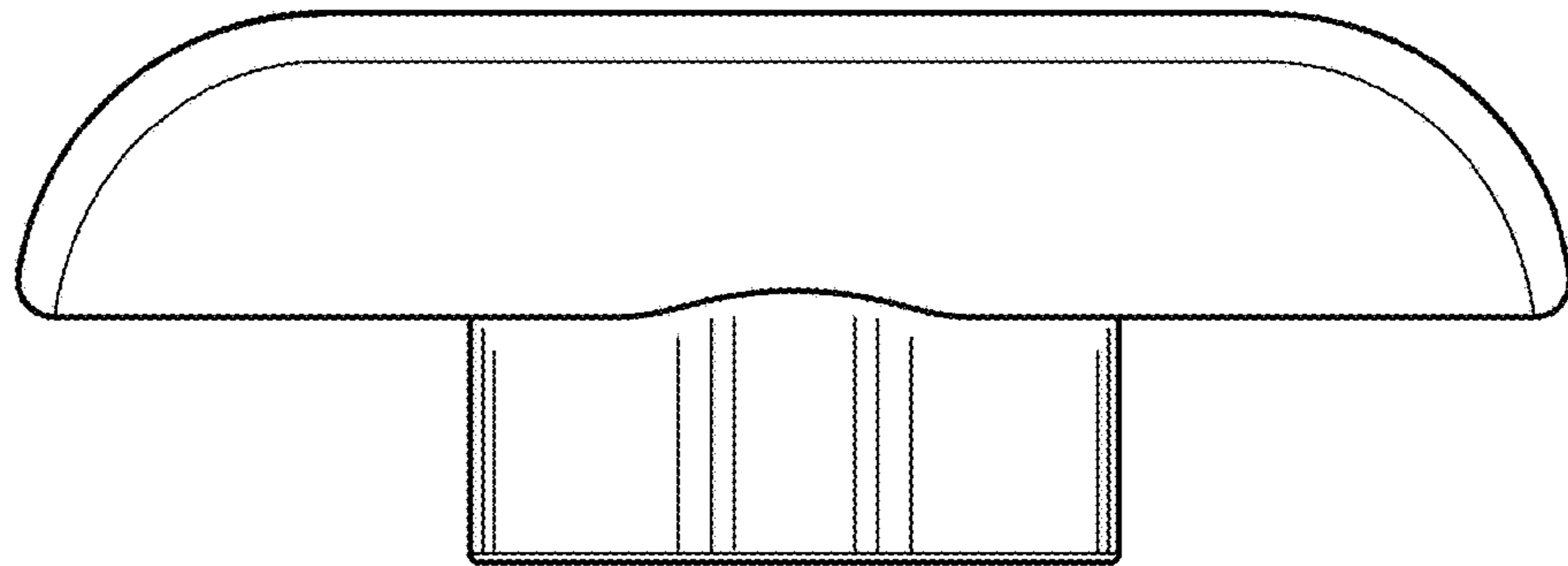


FIG. 5

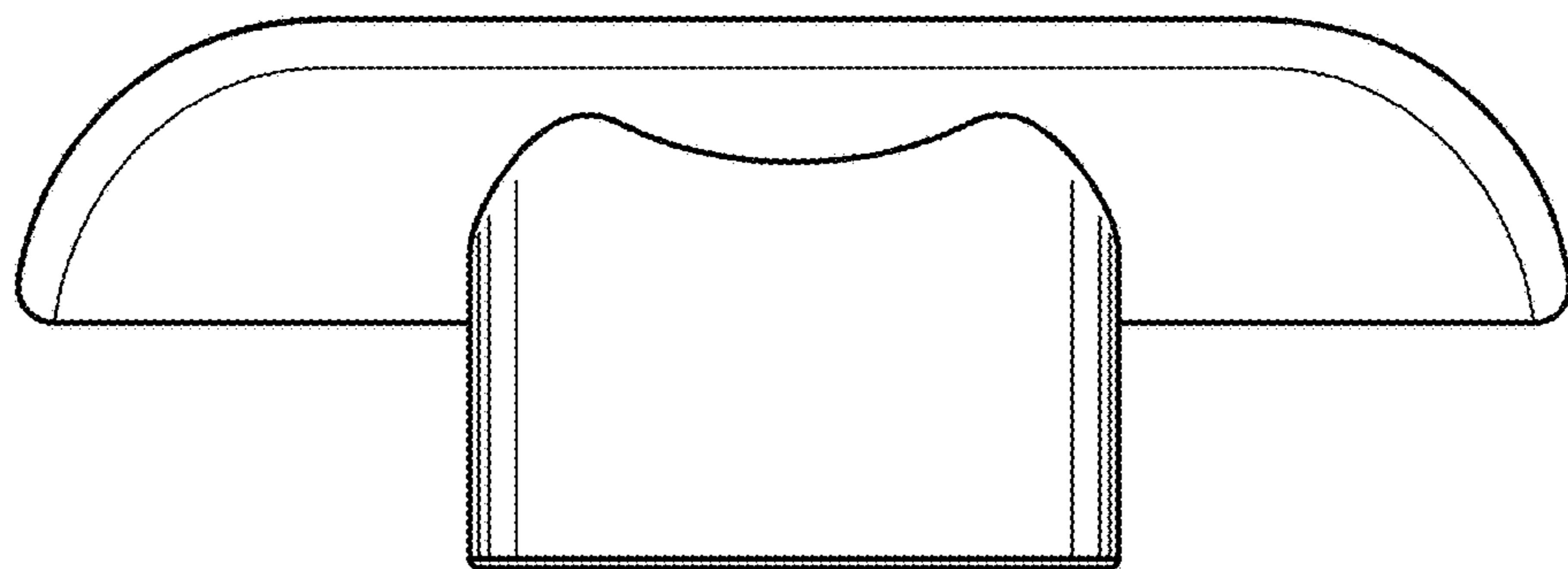


FIG. 6

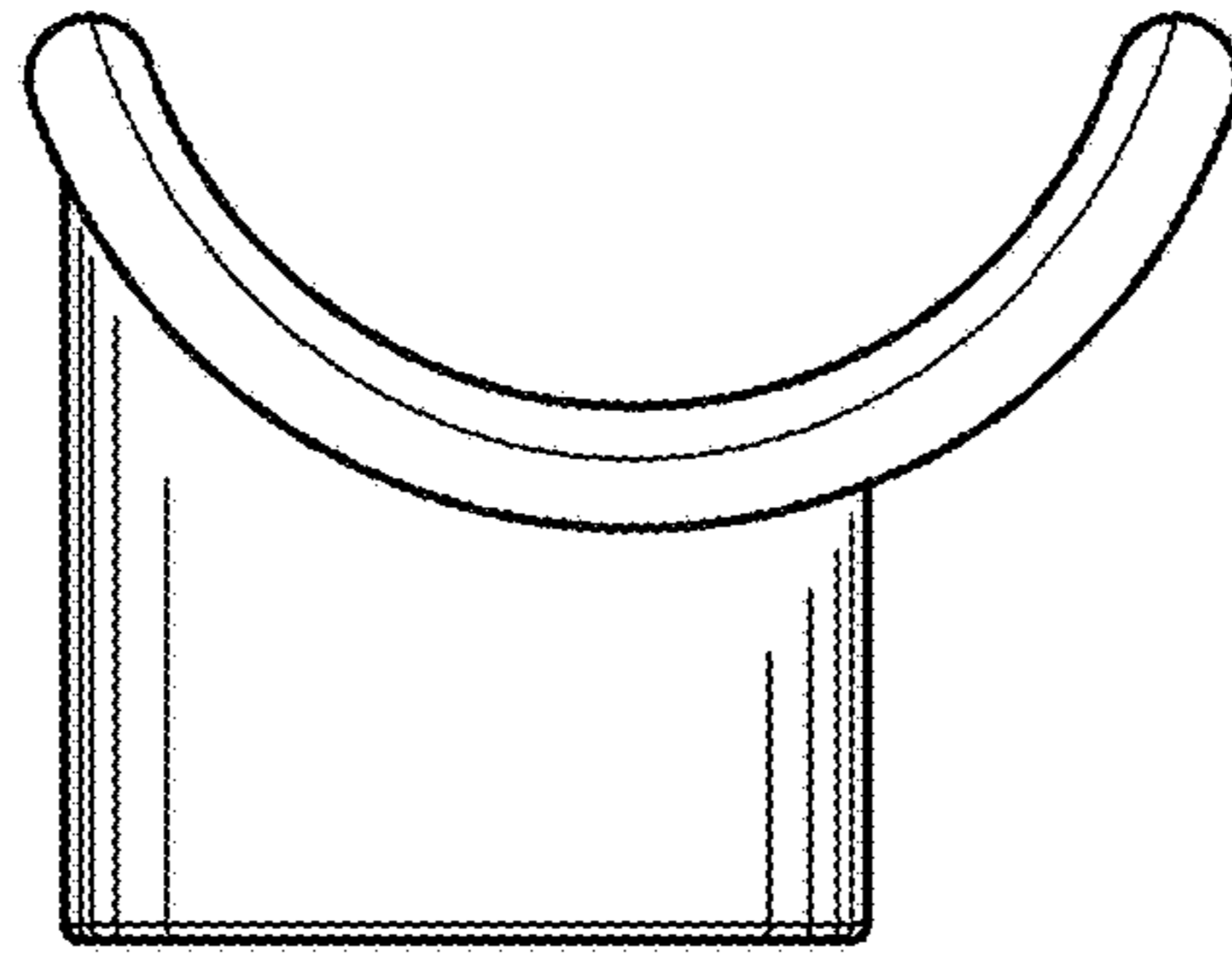


FIG. 7

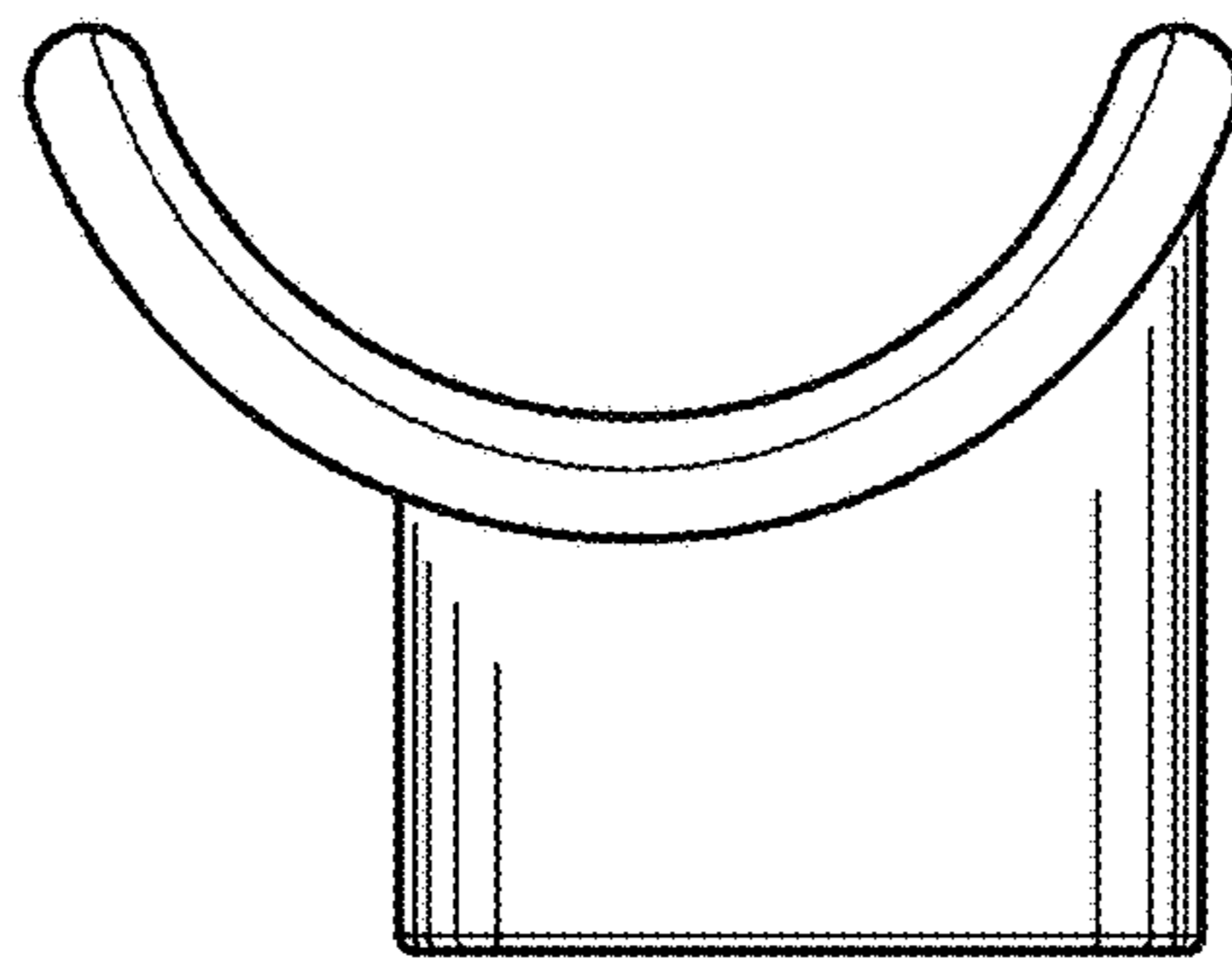


FIG. 8

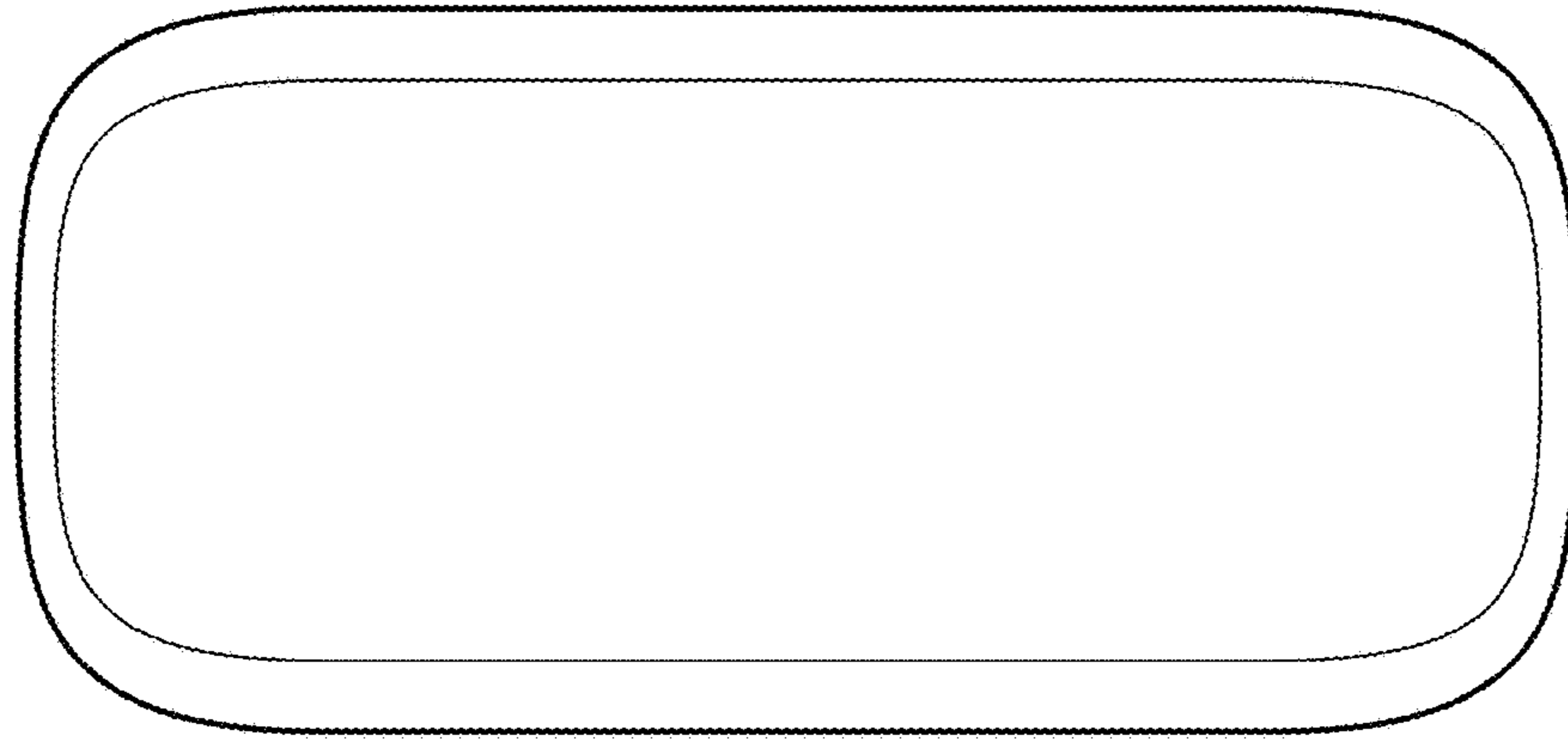


FIG. 9

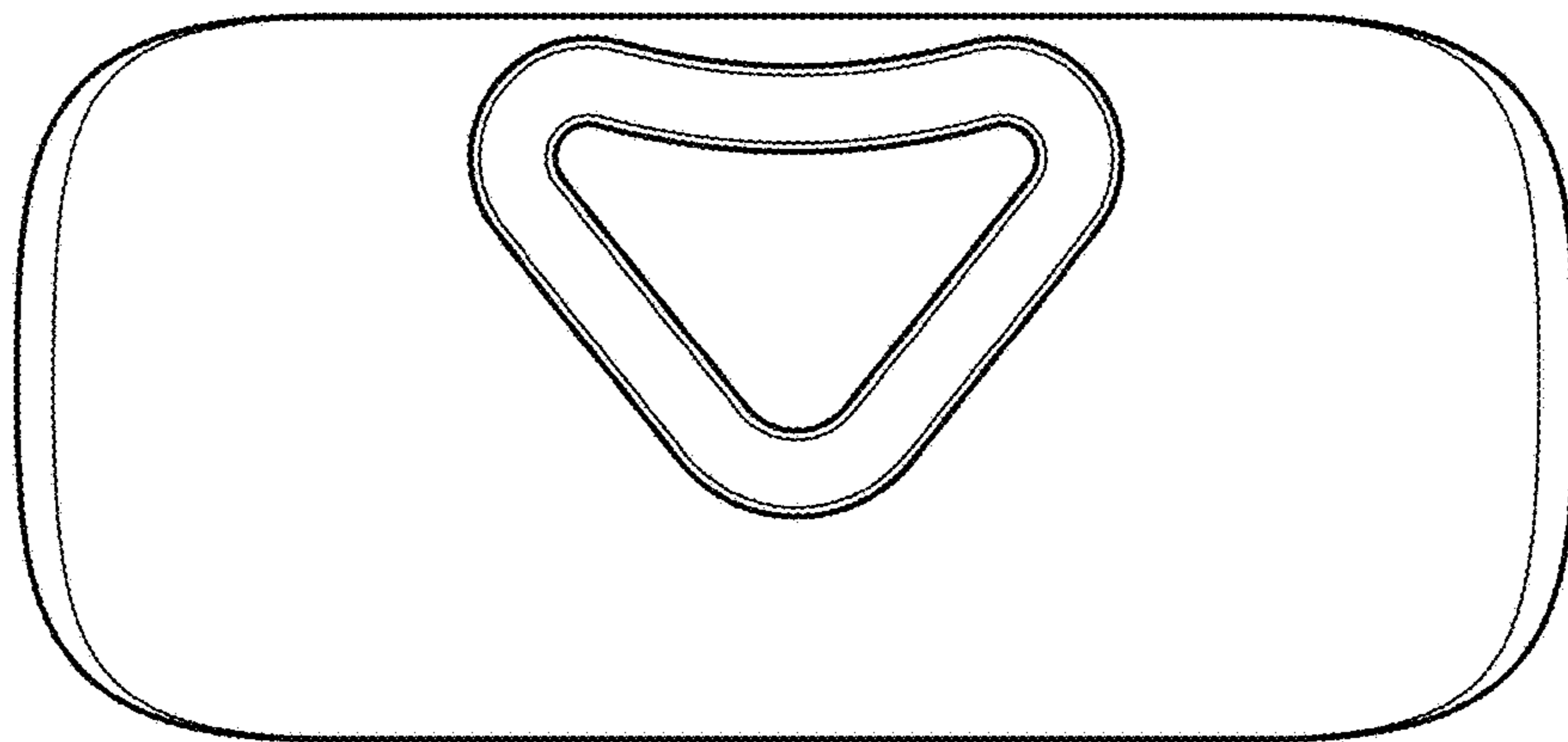


FIG. 10

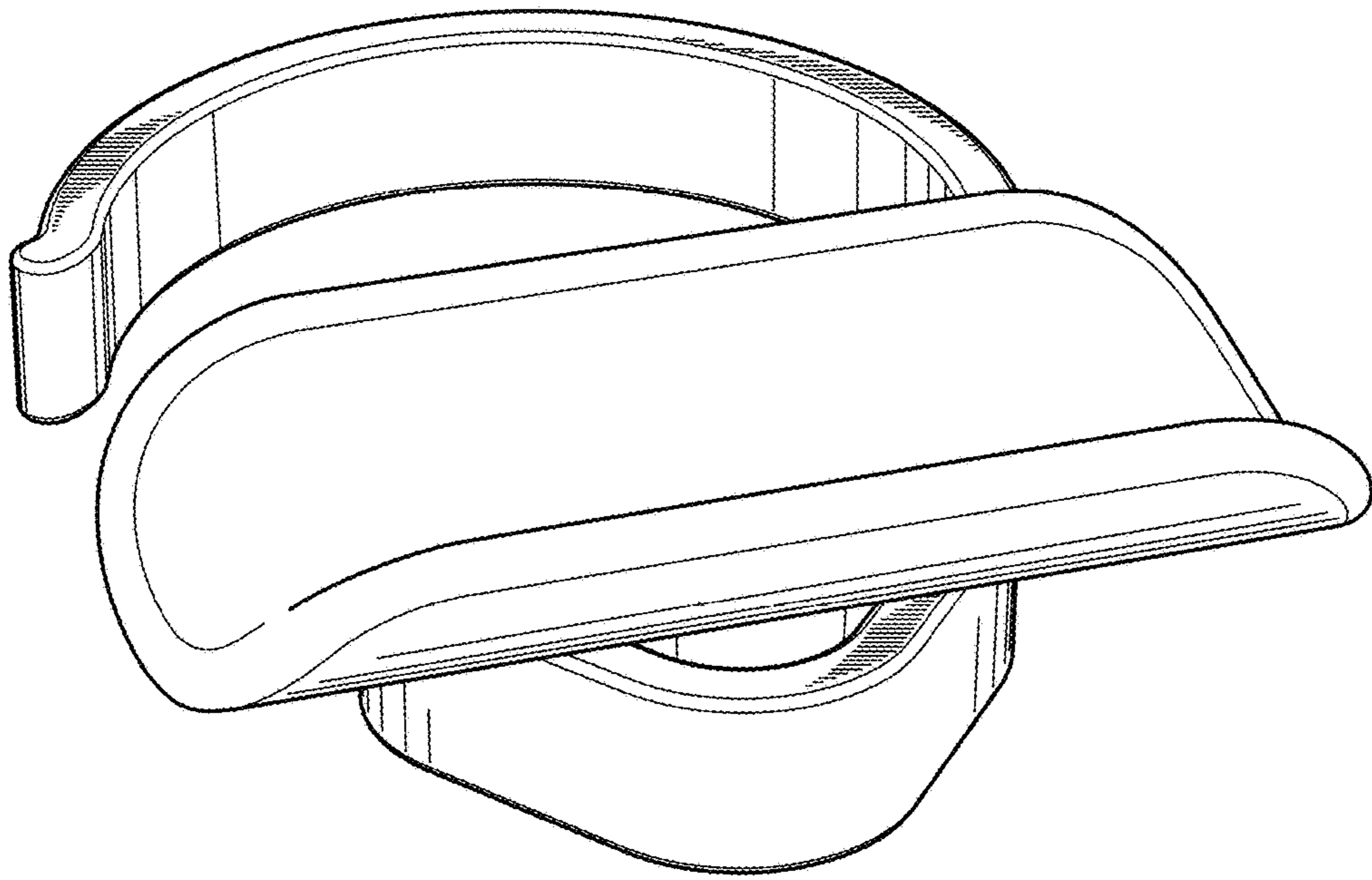


FIG. 11

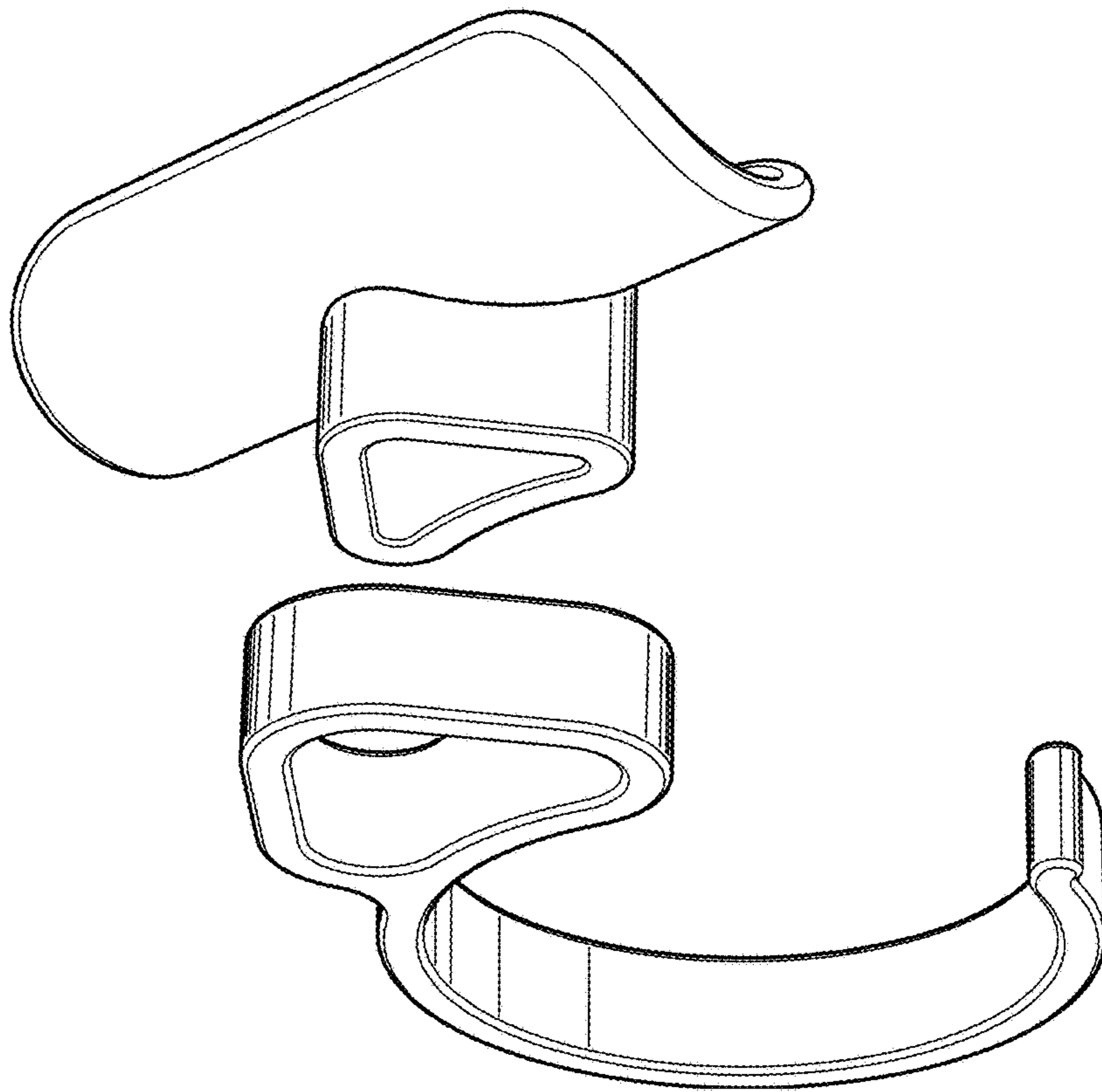


FIG. 12

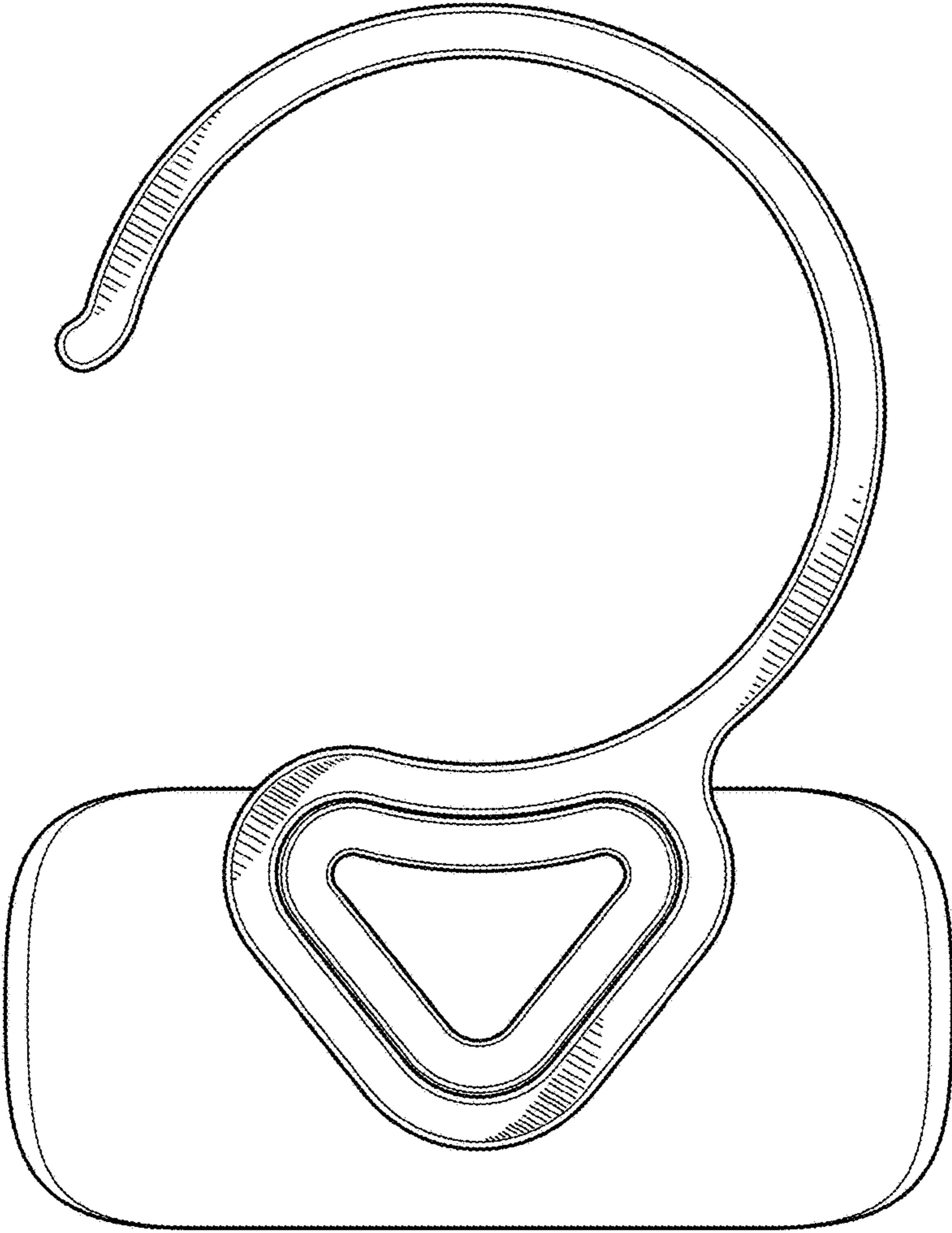


FIG. 13

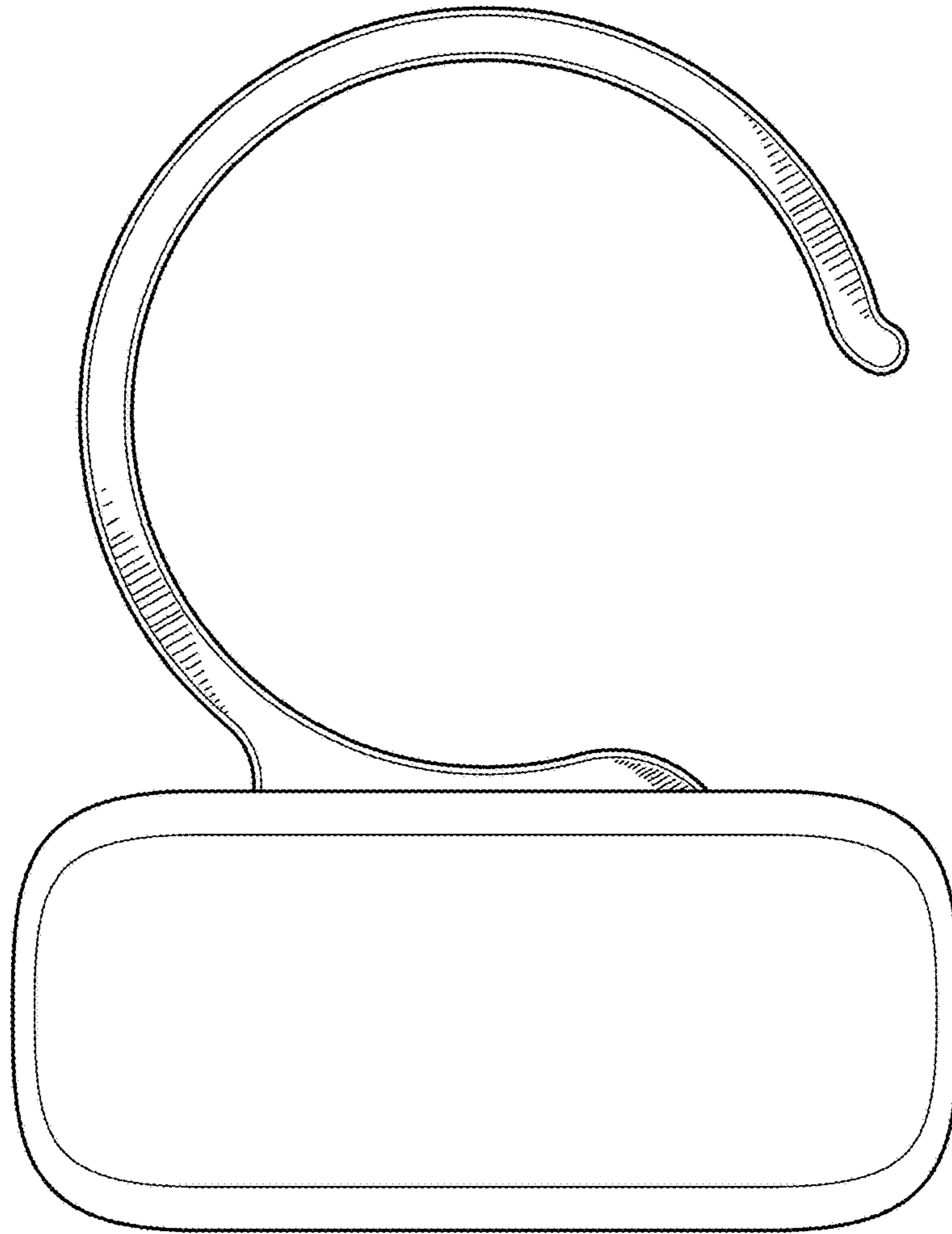


FIG. 14

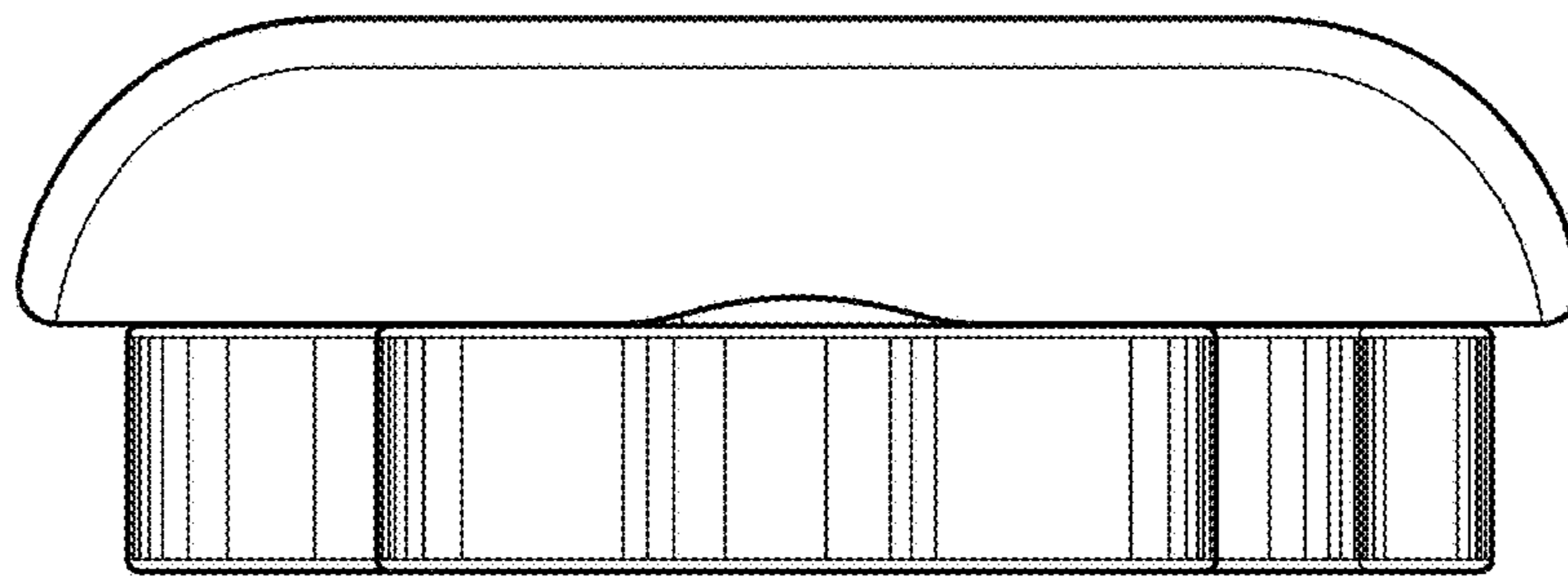


FIG. 15

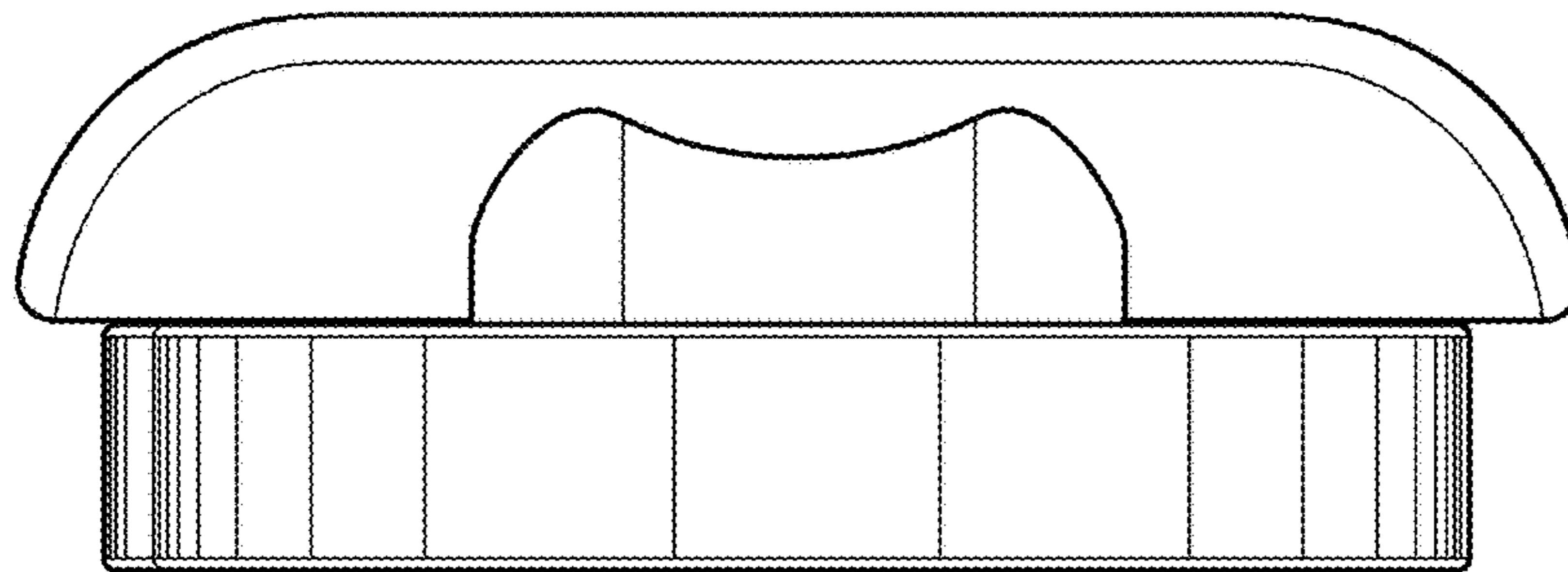


FIG. 16

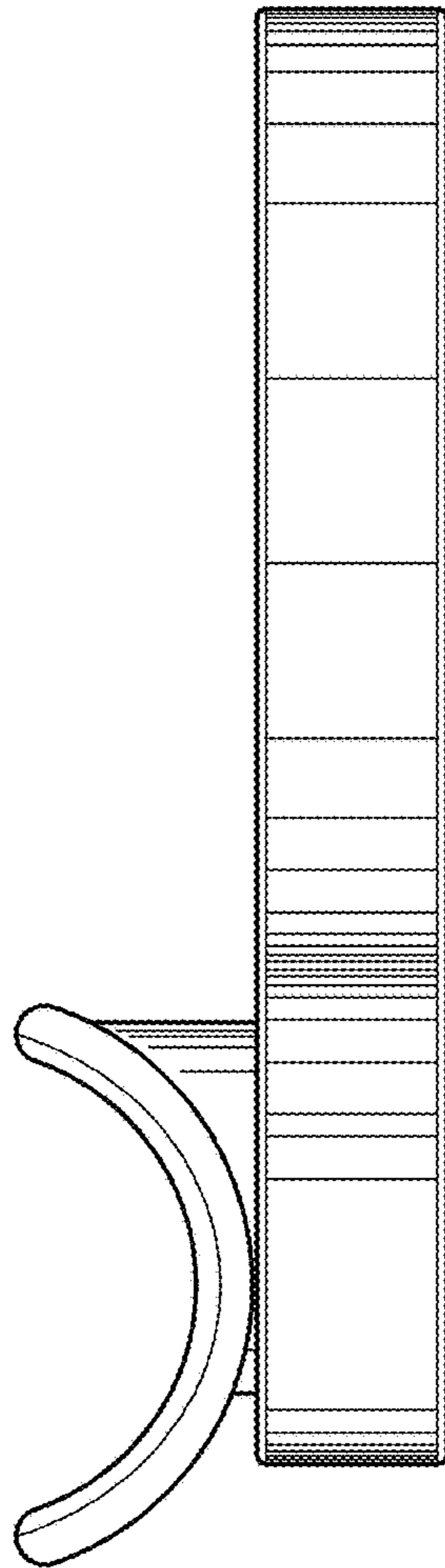


FIG. 17

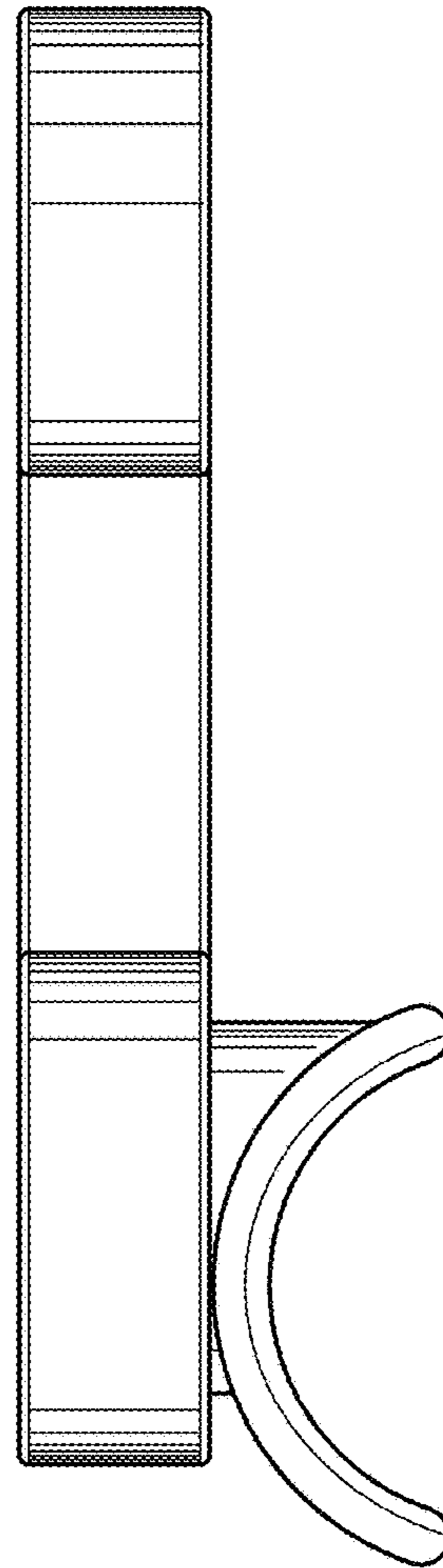


FIG. 18

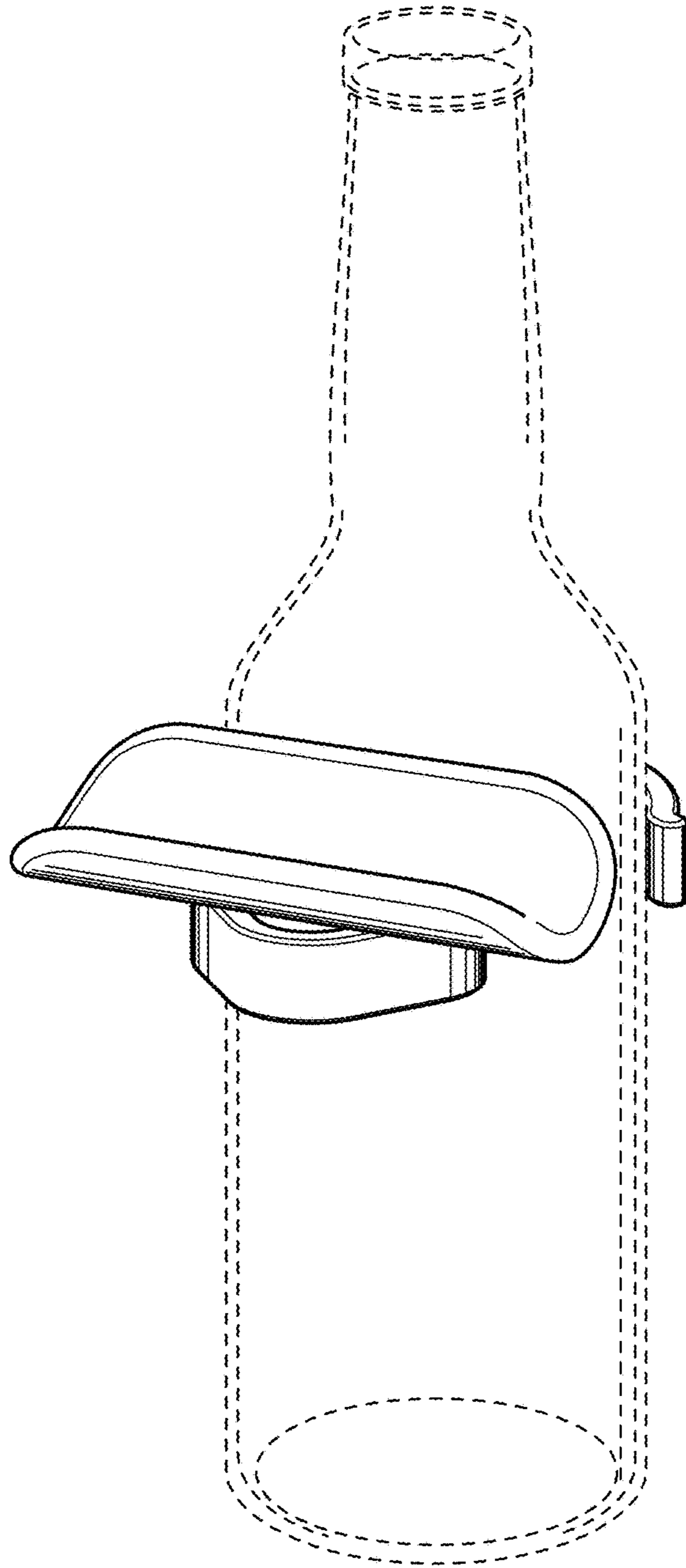


FIG. 19