



US00D805247S

(12) **United States Design Patent** (10) **Patent No.:** **US D805,247 S**
Nelson et al. (45) **Date of Patent:** **** Dec. 12, 2017**

(54) **COMBINATION LIGHTER AND CIGAR SPLITTER**

(71) Applicant: **Great Quality, Inc.**, Atlanta, GA (US)

(72) Inventors: **Macario Nelson**, Atlanta, GA (US);
Jordan Campbell, Fayetteville, GA (US)

(73) Assignee: **Great Quality, Inc.**, Atlanta, GA (US)

(**) Term: **15 Years**

(21) Appl. No.: **29/570,163**

(22) Filed: **Jul. 6, 2016**

(51) **LOC (10) Cl.** **27-05**

(52) **U.S. Cl.**
USPC **D27/156**

(58) **Field of Classification Search**
USPC D27/147, 148, 154–159, 139, 140, 141,
D27/142, 143, 161, 194, 195
CPC F23Q 2/00; F23Q 2/02; F23Q 2/04; F23Q
2/06; F23Q 2/08; F23Q 2/10; F23Q 2/16;
F23Q 2/161; F23Q 2/162; F23Q 2/18
See application file for complete search history.

(56) **References Cited**

U.S. PATENT DOCUMENTS

D196,934 S *	11/1963	Elwood	D10/68
D270,485 S *	9/1983	Cervantes	D27/195
D314,639 S *	2/1991	Rousseau	D27/195
5,447,430 A *	9/1995	Kim	F23Q 2/161 431/126
D386,814 S *	11/1997	Mesco	D27/195
D387,474 S *	12/1997	Fontaine, Jr.	D27/142
D401,379 S *	11/1998	Goldoftas	D21/793
D411,898 S *	7/1999	Inoue	D27/154
D429,025 S *	8/2000	Maruyama	D27/141
D443,718 S *	6/2001	Abouni	D27/156
D445,536 S *	7/2001	Lee	D27/143

D451,239 S *	11/2001	Abouni	D27/156
D493,012 S *	7/2004	Rich	D27/183
D573,302 S *	7/2008	Donne	D21/793
D600,084 S *	9/2009	Hbaiu	D27/195
D617,496 S *	6/2010	Wong	D27/195
D634,889 S *	3/2011	Park	D27/143
D757,354 S *	5/2016	Tong	D27/141
D760,428 S *	6/2016	Rahbar	D27/141
D791,403 S *	7/2017	Malhi	D27/195
2012/0251961 A1 *	10/2012	Lee	F23Q 2/161 431/274

* cited by examiner

Primary Examiner — Eric Goodman

Assistant Examiner — Jennifer Campbell

(74) *Attorney, Agent, or Firm* — Clayton, McKay & Bailey

(57) **CLAIM**

The ornamental design for a combination lighter and cigar splitter, as shown and described.

DESCRIPTION

FIG. 1 is a perspective view of a combination lighter and cigar splitter showing applicant's new design.

FIG. 2 is a front view of the combination lighter and cigar splitter.

FIG. 3 is a rear view of the combination lighter and cigar splitter.

FIG. 4 is a left-side view of the combination lighter and cigar splitter.

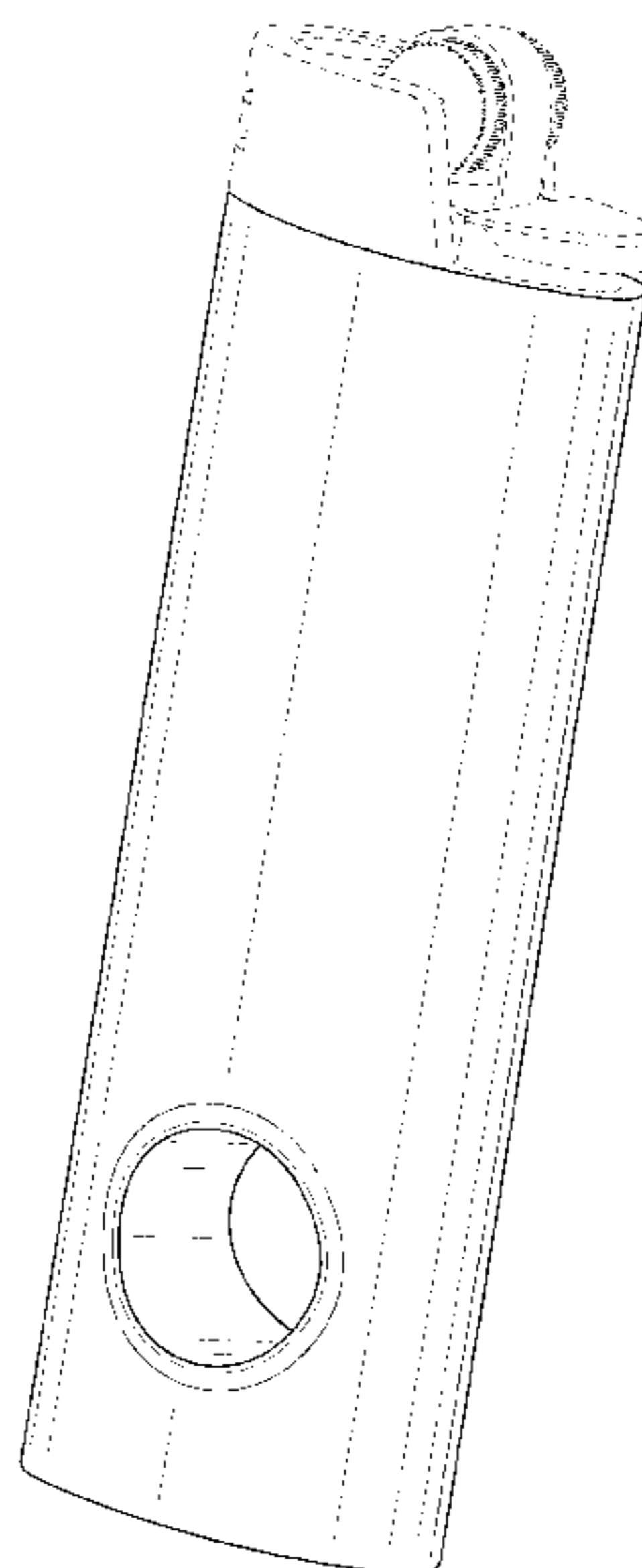
FIG. 5 is a right-side view of the combination lighter and cigar splitter.

FIG. 6 is a top view of the combination lighter and cigar splitter; and,

FIG. 7 is a bottom view of the combination lighter and cigar splitter.

The broken lines depict portions of the combination lighter and cigar splitter and form no part of the claimed design.

1 Claim, 6 Drawing Sheets



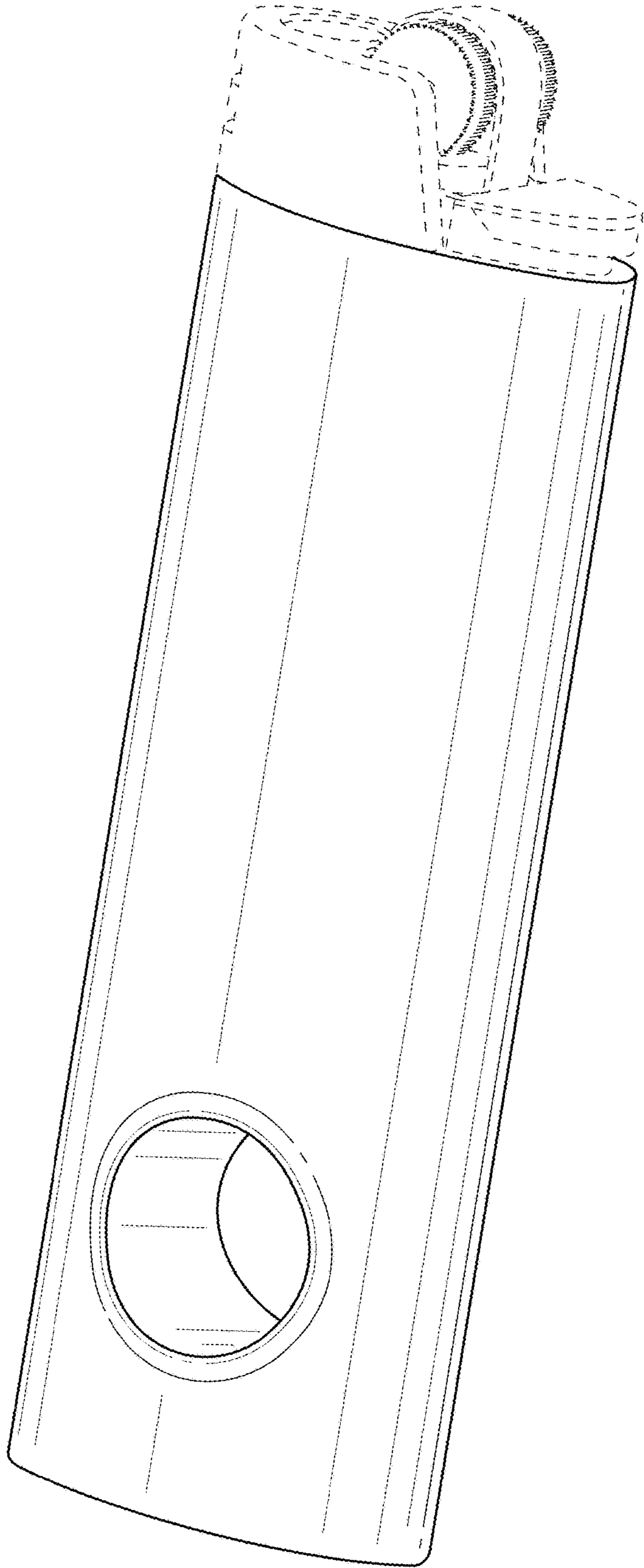


FIG. 1

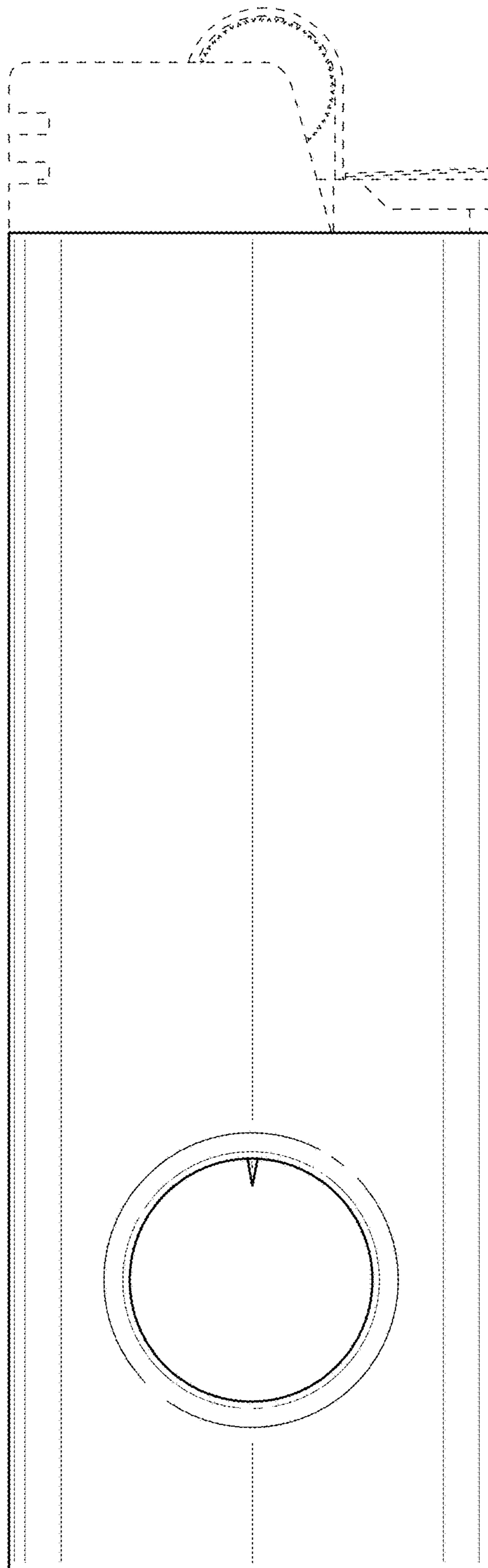


FIG. 2

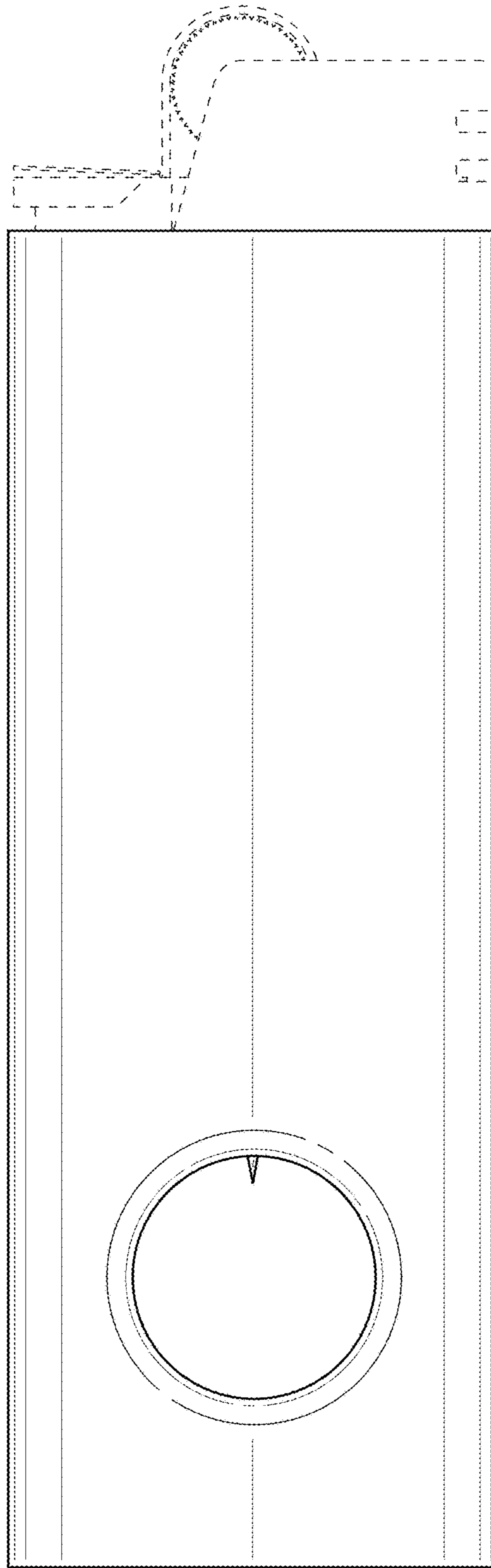


FIG. 3

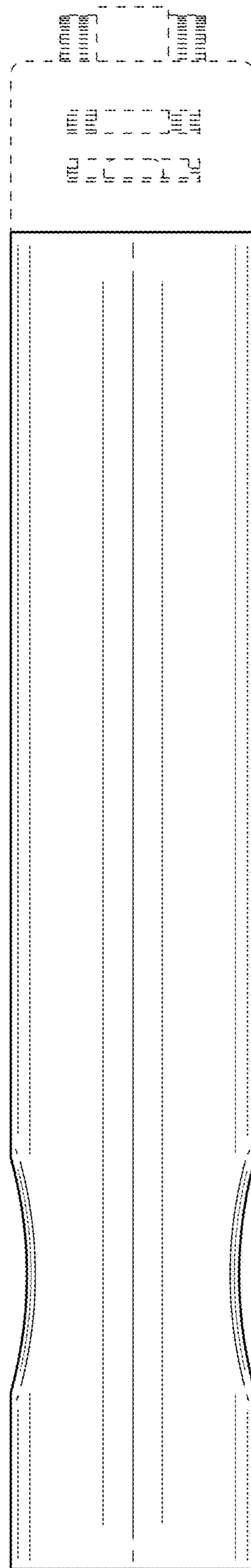


FIG. 4

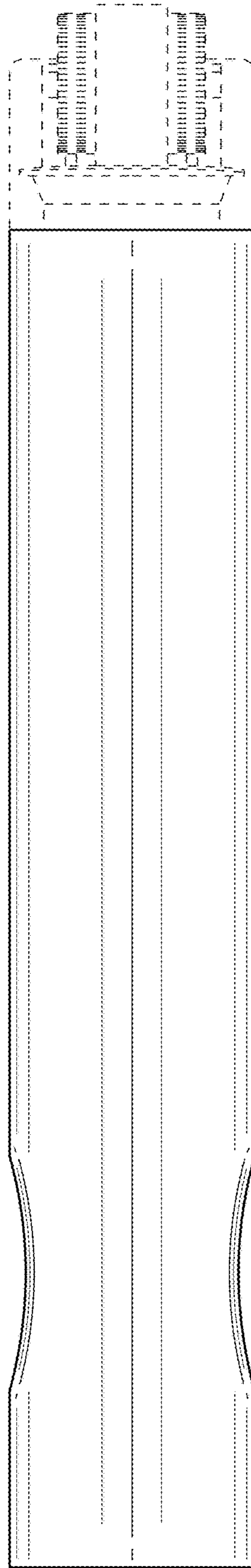


FIG. 5

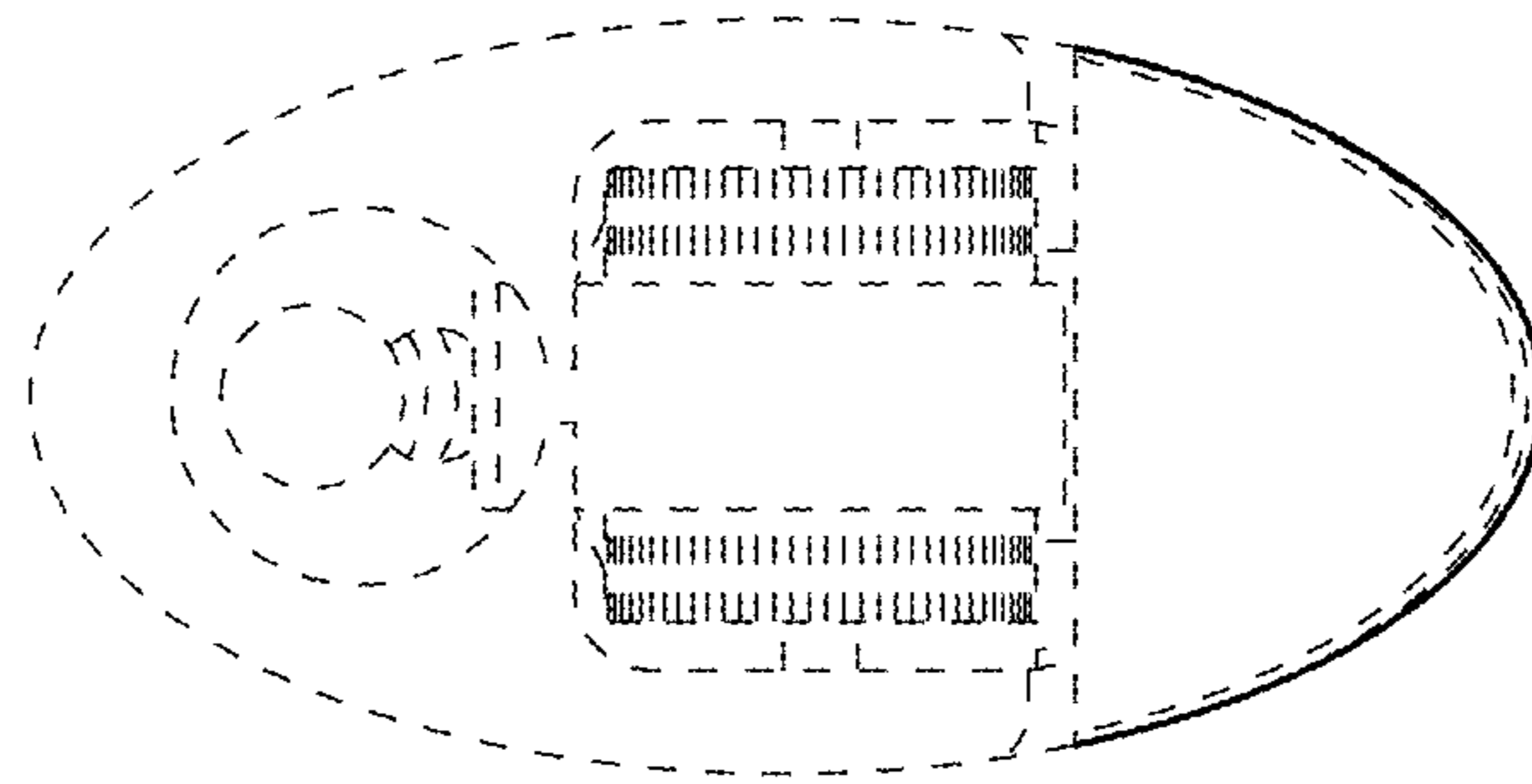


FIG. 6

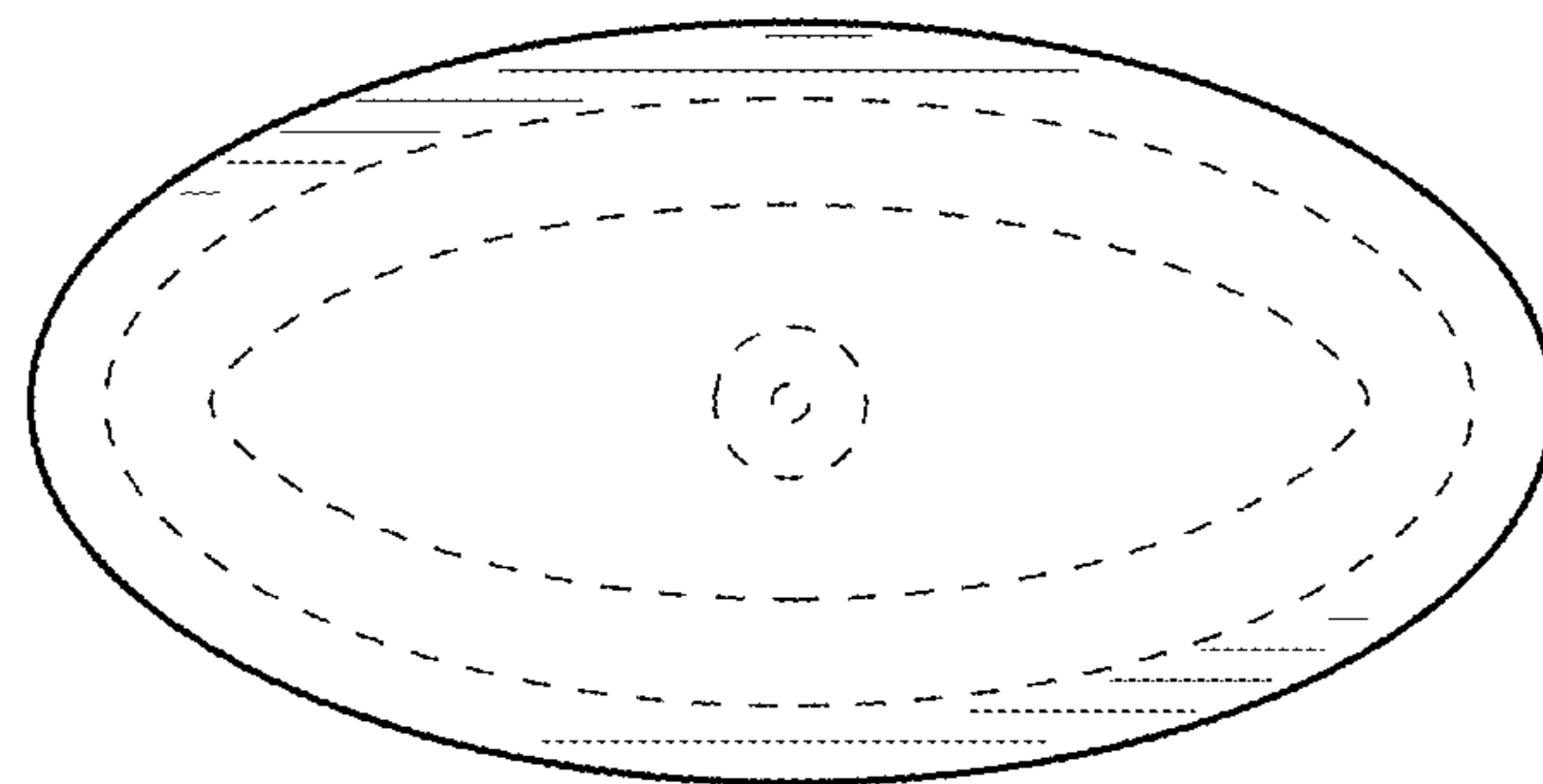


FIG. 7