



US00D805245S

(12) **United States Design Patent**
Johns et al.

(10) **Patent No.:** **US D805,245 S**

(45) **Date of Patent:** **** Dec. 12, 2017**

(54) **VEHICLE LIGHT GUARD**

(71) Applicant: **Omix-Ada, Inc.**, Suwanee, GA (US)

(72) Inventors: **Taylor E. Johns**, Atlanta, GA (US);
Patrick W. Bennett, Gainesville, GA (US)

(73) Assignee: **Omix-ADA, Inc.**, Suwanee, GA (US)

(**) Term: **15 Years**

(21) Appl. No.: **29/580,351**

(22) Filed: **Oct. 7, 2016**

(51) **LOC (10) Cl.** **26-99**

(52) **U.S. Cl.**
USPC **D26/139**

(58) **Field of Classification Search**
USPC D26/28-36, 139; 362/80-83, 267-269,
362/459-468, 475-478, 485-487
CPC ... B60Q 1/02; B60Q 1/04; B60Q 9/13; B60Q
9/135; B60Q 9/1375; B60Q 1/26; F21S
48/00; F21S 48/10; F21S 48/115; F21S
48/1233; F21S 48/1266; F21S 48/1388;
F21S 48/2268; F21V 21/04
See application file for complete search history.

(56) **References Cited**

U.S. PATENT DOCUMENTS

D316,460 S * 4/1991 Neece D26/120
D364,704 S 11/1995 Alger
D390,821 S 2/1998 Thorne et al.

D425,240 S * 5/2000 Goeckeritz D26/139
D432,064 S 10/2000 Hartog
7,314,245 B1 1/2008 Shymkiw
D676,599 S * 2/2013 Davidson D26/139
D721,454 S 1/2015 King et al.

OTHER PUBLICATIONS

“2007 & Up Jeep Wrangler Catalog 2015, Accessories, Performance & Replacement Parts”, Ruggedridge.com, Omix-Ada, Inc., Alloy USA.

* cited by examiner

Primary Examiner — Marcus Jackson

(74) *Attorney, Agent, or Firm* — Womble Bond Dickinson (US) LLP

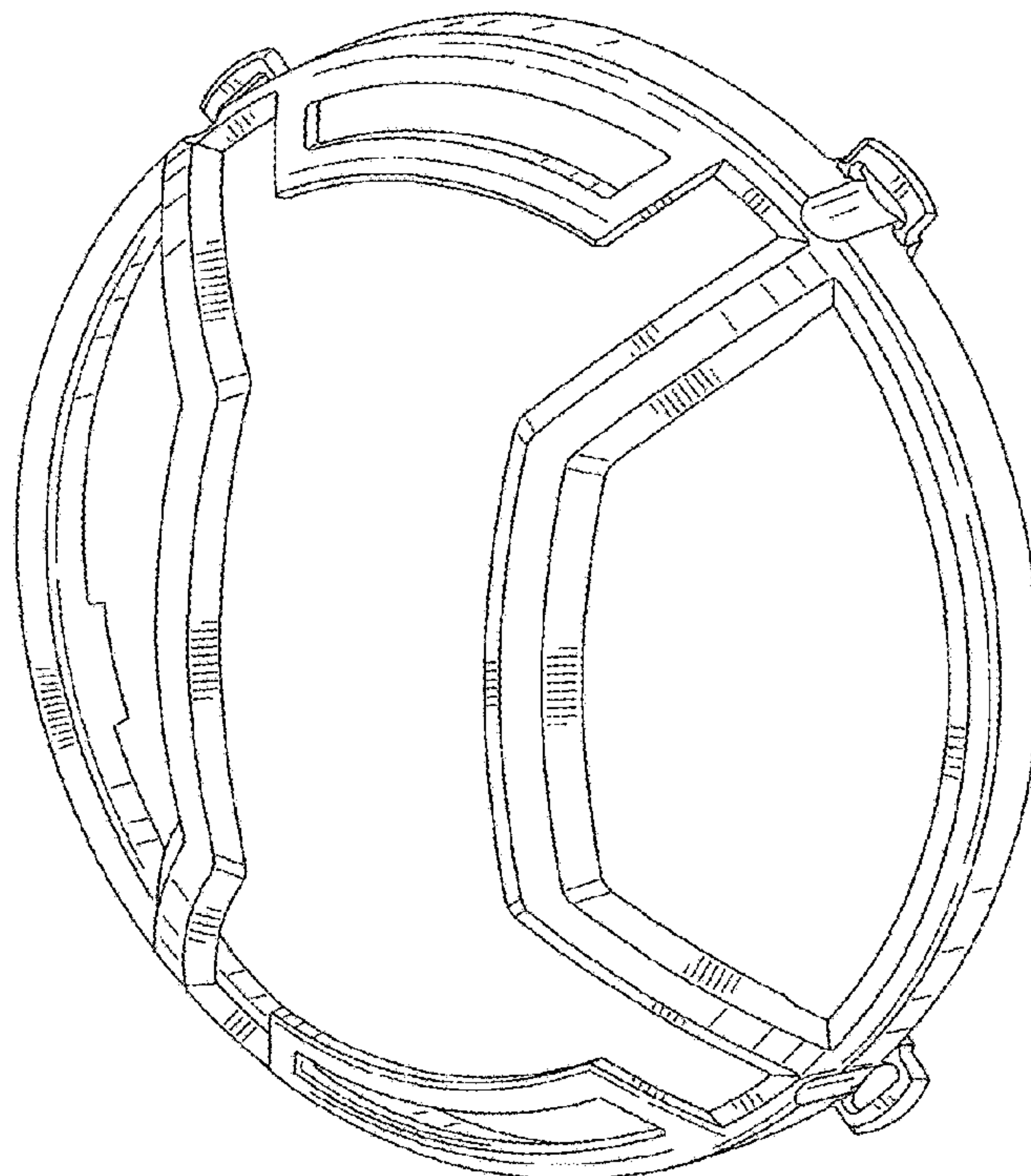
(57) **CLAIM**

The ornamental design for a vehicle light guard, as shown and described.

DESCRIPTION

FIG. 1 is a perspective view of a vehicle light guard that embodies our ornamental design
FIG. 2 is a top view thereof.
FIG. 3 is a bottom view thereof.
FIG. 4 is a front view thereof.
FIG. 5 is a right side view thereof.
FIG. 6 is a back view thereof.
FIG. 7 is a left side view thereof; and,
FIG. 8 is a perspective view of the vehicle light guard shown covering a vehicle light.
The broken lines in the drawings illustrate elements that form no part of the claimed design.

1 Claim, 4 Drawing Sheets



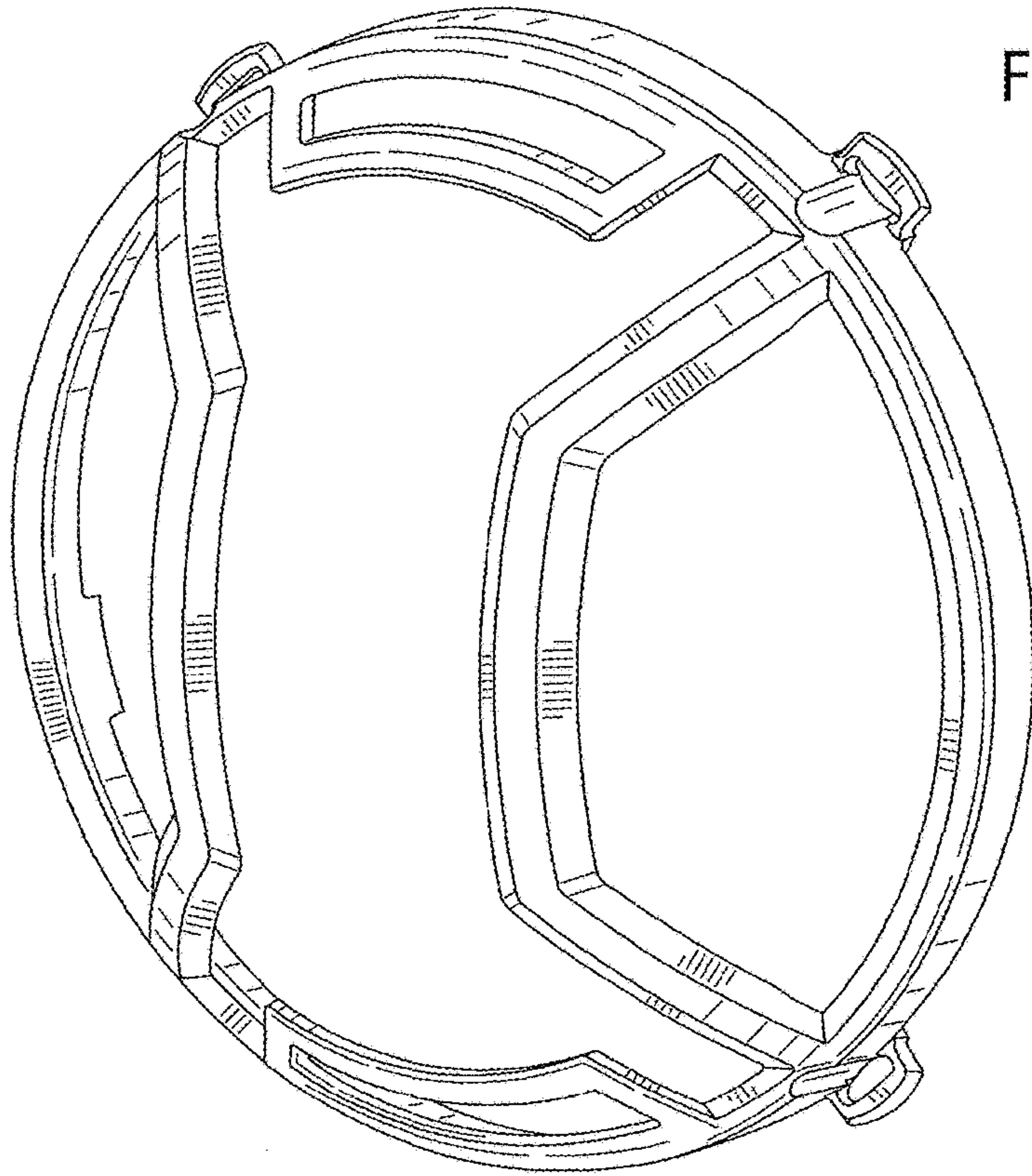


FIG. 1

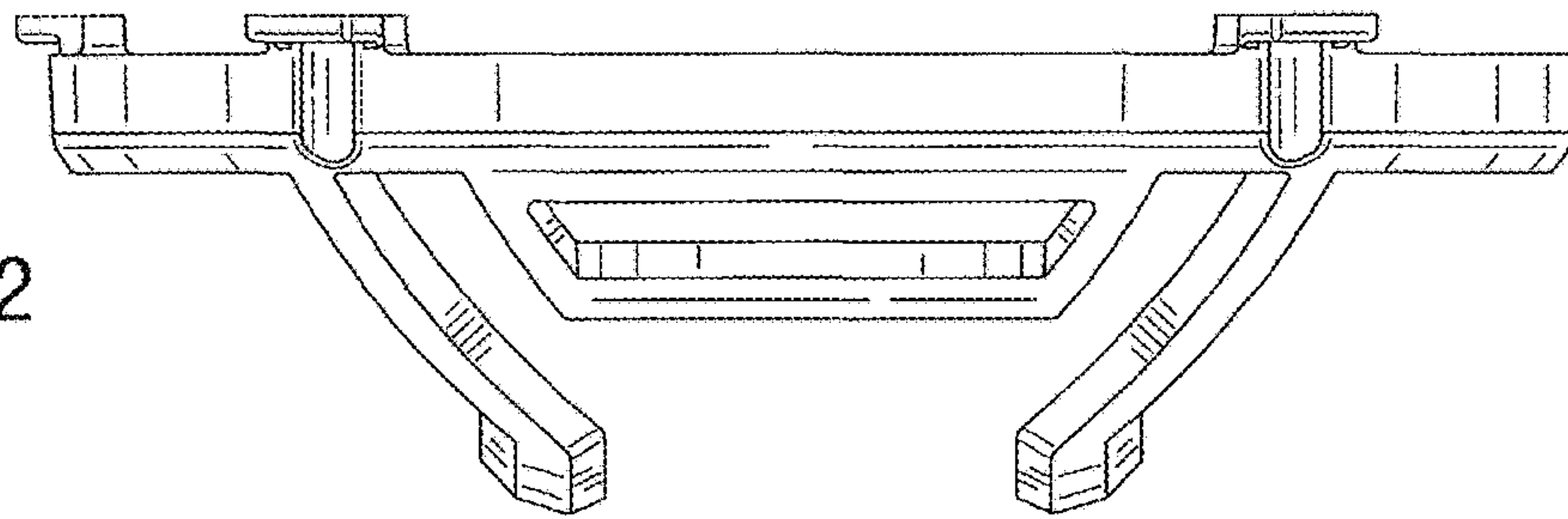


FIG. 2

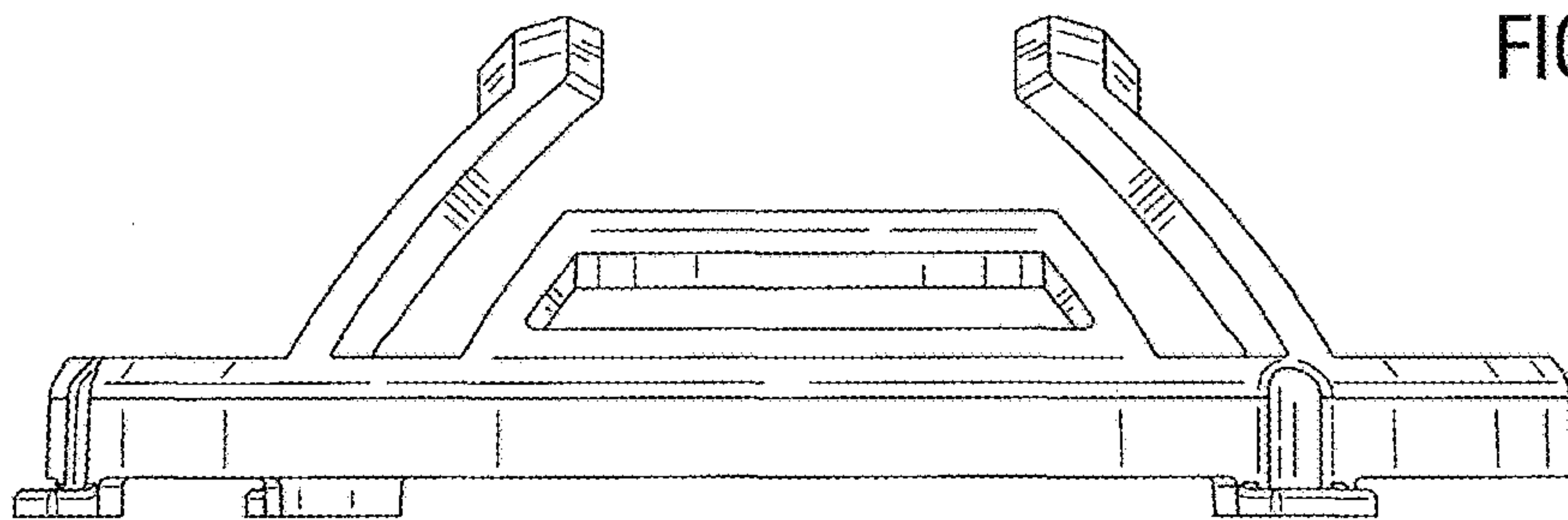


FIG. 3

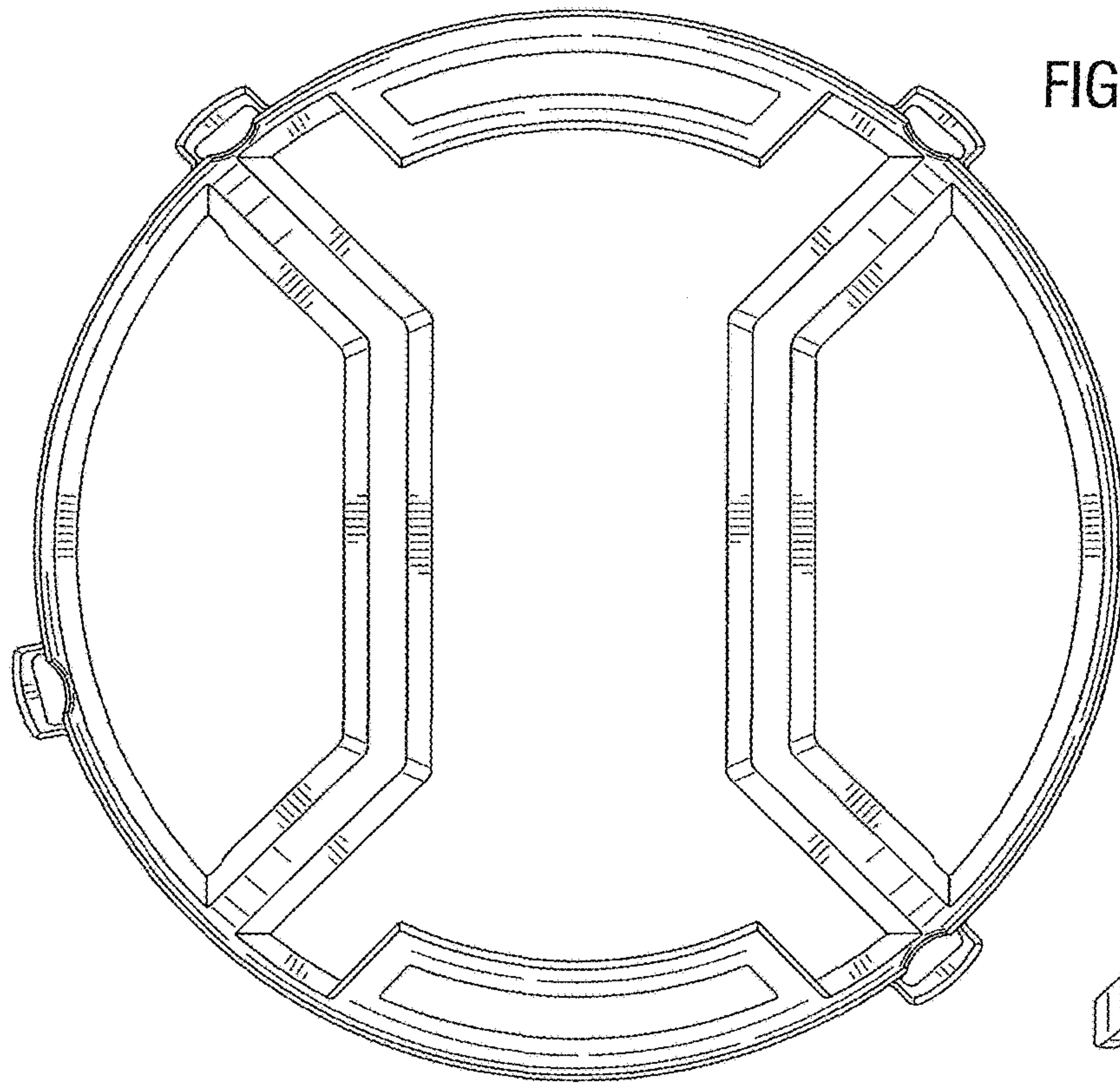


FIG. 4

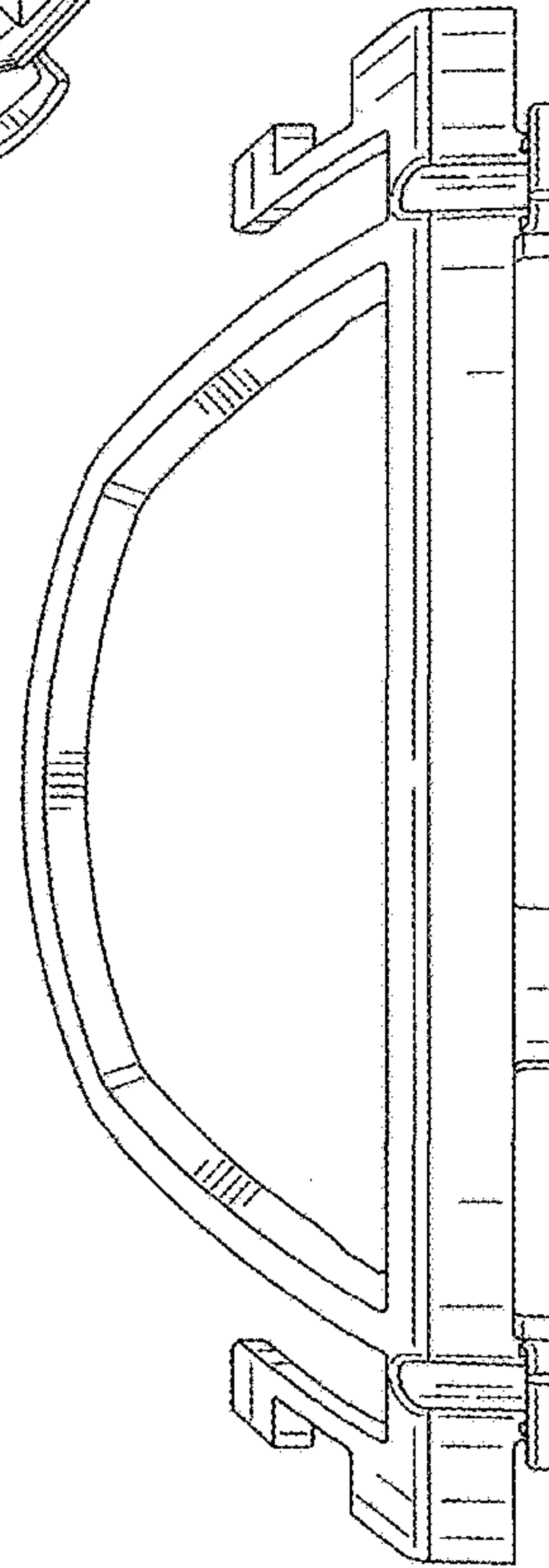


FIG. 5

FIG. 6

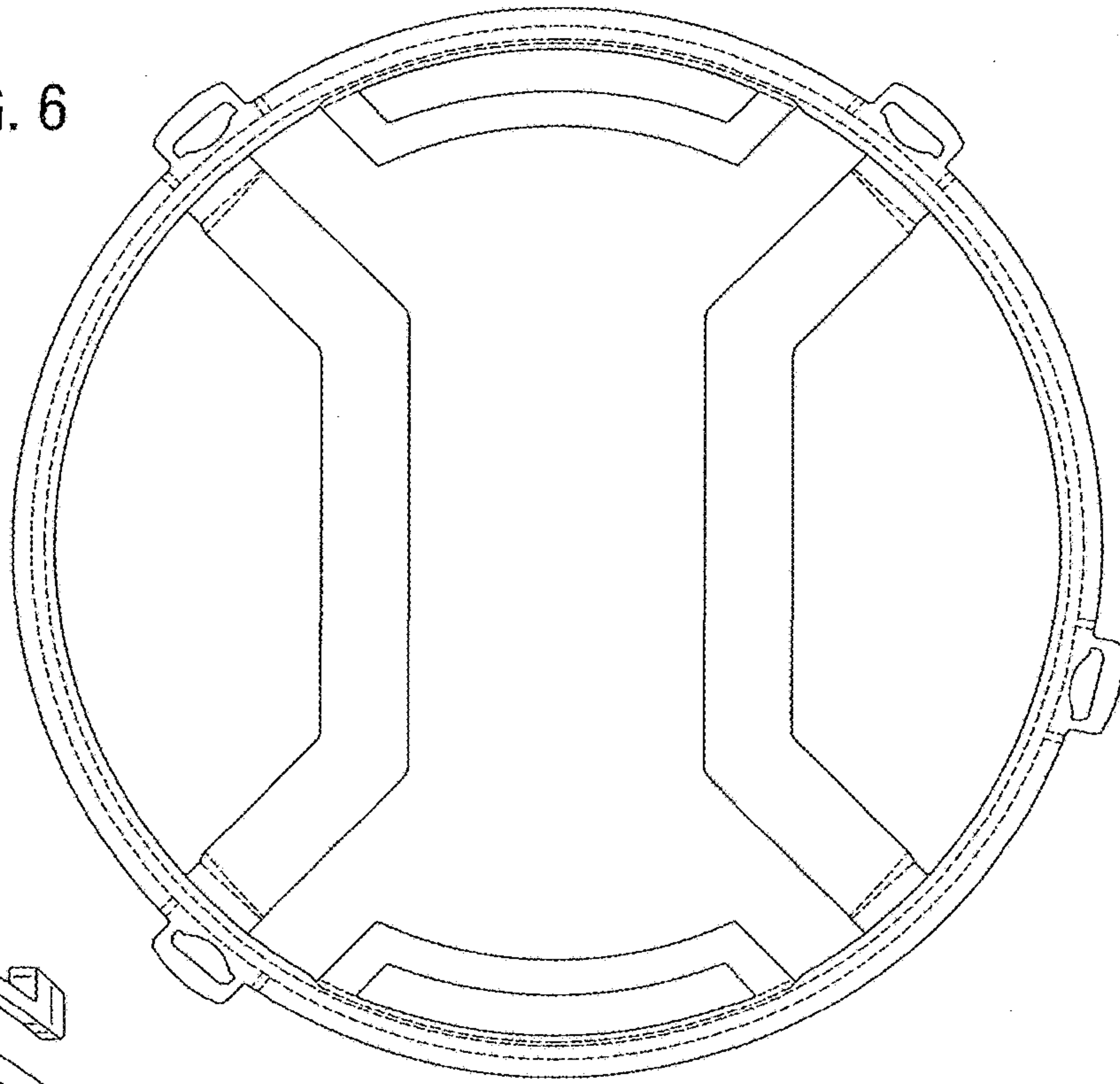


FIG. 7

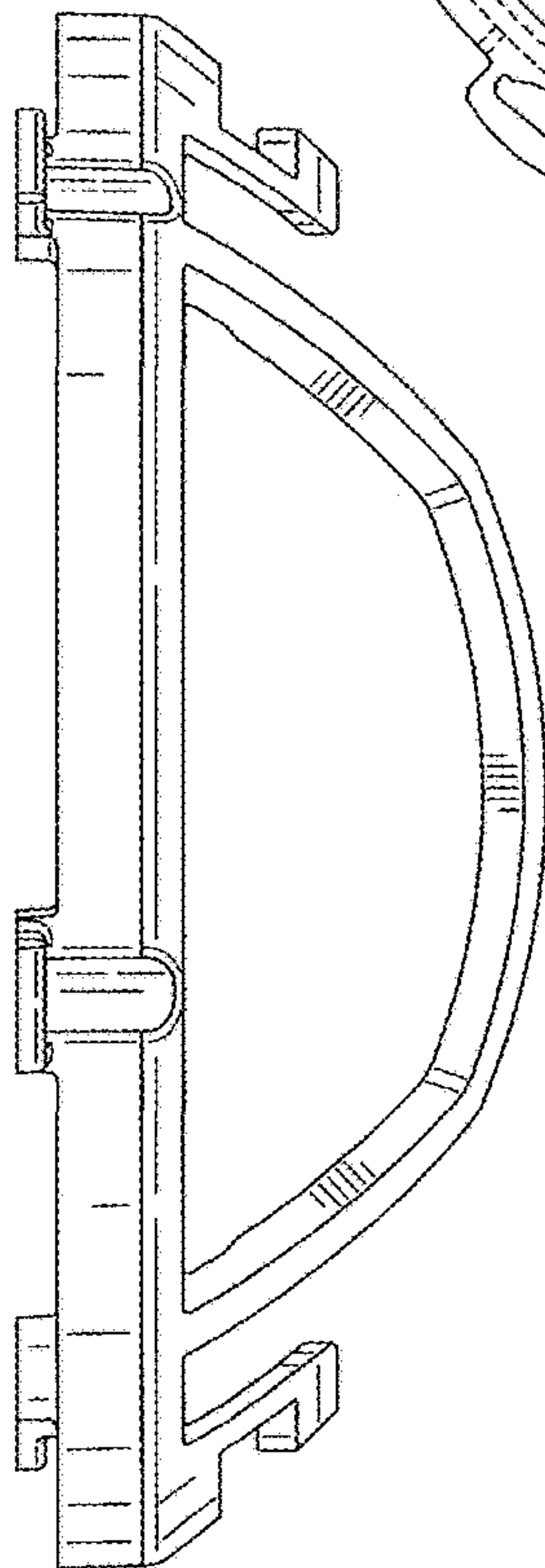


FIG. 8

