



US00D805243S

(12) **United States Design Patent**  
**Hrach**

(10) **Patent No.:** **US D805,243 S**

(45) **Date of Patent:** **\*\* Dec. 12, 2017**

- (54) **HOUSING FOR LUMINAIRE**
- (71) Applicant: **TRIDONIC GMBH & CO. KG**,  
Dornbirn (AT)
- (72) Inventor: **Juergen Hrach**, Feldkirch (AT)
- (73) Assignee: **TRIDONIC GMBH & CO KG**,  
Dornbirn (AT)
- (\*\*) Term: **15 Years**
- (21) Appl. No.: **29/565,592**
- (22) Filed: **May 23, 2016**
- (30) **Foreign Application Priority Data**  
Nov. 25, 2015 (EM) ..... 002 876 557
- (51) **LOC (10) Cl.** ..... **26-05**
- (52) **U.S. Cl.**  
USPC ..... **D26/118**
- (58) **Field of Classification Search**  
USPC ..... D26/20, 27, 30, 31, 32, 25, 35, 36, 42,  
D26/46, 55, 69, 70, 78, 80, 101, 110,  
D26/109, 118-120, 123, 124, 127, 133,  
D26/134, 139; D7/416; D10/111-115;  
D13/134, 158-178; D14/473; D99/99;  
D25/126-135; D11/144  
CPC ..... G02B 5/126; G02B 6/4246; F21K 9/135;  
F21K 9/27; F21S 8/02; F21S 4/28; F21S  
4/008; F21S 48/212; F21S 2/005; F21V  
3/00; F21V 7/09; F21V 21/002; F21V  
29/74; F21V 15/01; F21V 19/00; F21Y  
2101/00; F21Y 2103/10; F21Y 2107/30;  
F21Y 2115/10; H02G 3/0418; B60C  
3/004; E04F 19/04; E04B 1/98; H05B  
41/00  
See application file for complete search history.

(56) **References Cited**

**U.S. PATENT DOCUMENTS**

- D388,280 S \* 12/1997 Kessler ..... D7/416
- D538,237 S \* 3/2007 Castaldo ..... D13/158

- 7,329,024 B2 \* 2/2008 Lynch ..... F21V 29/74  
257/99
- D602,196 S \* 10/2009 Noh ..... D26/138
- D654,442 S \* 2/2012 Won ..... D10/46
- 8,128,427 B2 \* 3/2012 Mochizuki ..... F21S 48/212  
439/419
- 8,167,465 B2 \* 5/2012 Cha ..... F21V 15/01  
315/185 R
- D682,133 S \* 5/2013 Chen ..... D10/114.1
- 9,004,717 B2 \* 4/2015 Ratkus ..... F21S 4/008  
362/222
- 9,121,580 B1 \* 9/2015 Bryant ..... F21V 19/00
- 2006/0214592 A1 \* 9/2006 Hopkins ..... H05B 41/00  
315/56
- 2012/0051700 A1 \* 3/2012 Terada ..... G02B 6/4246  
385/92

(Continued)

*Primary Examiner* — Kevin K Rudzinski

*Assistant Examiner* — Paul D Bohannon

(74) *Attorney, Agent, or Firm* — Scully Scott Murphy and  
Presser; Frank Digiglio

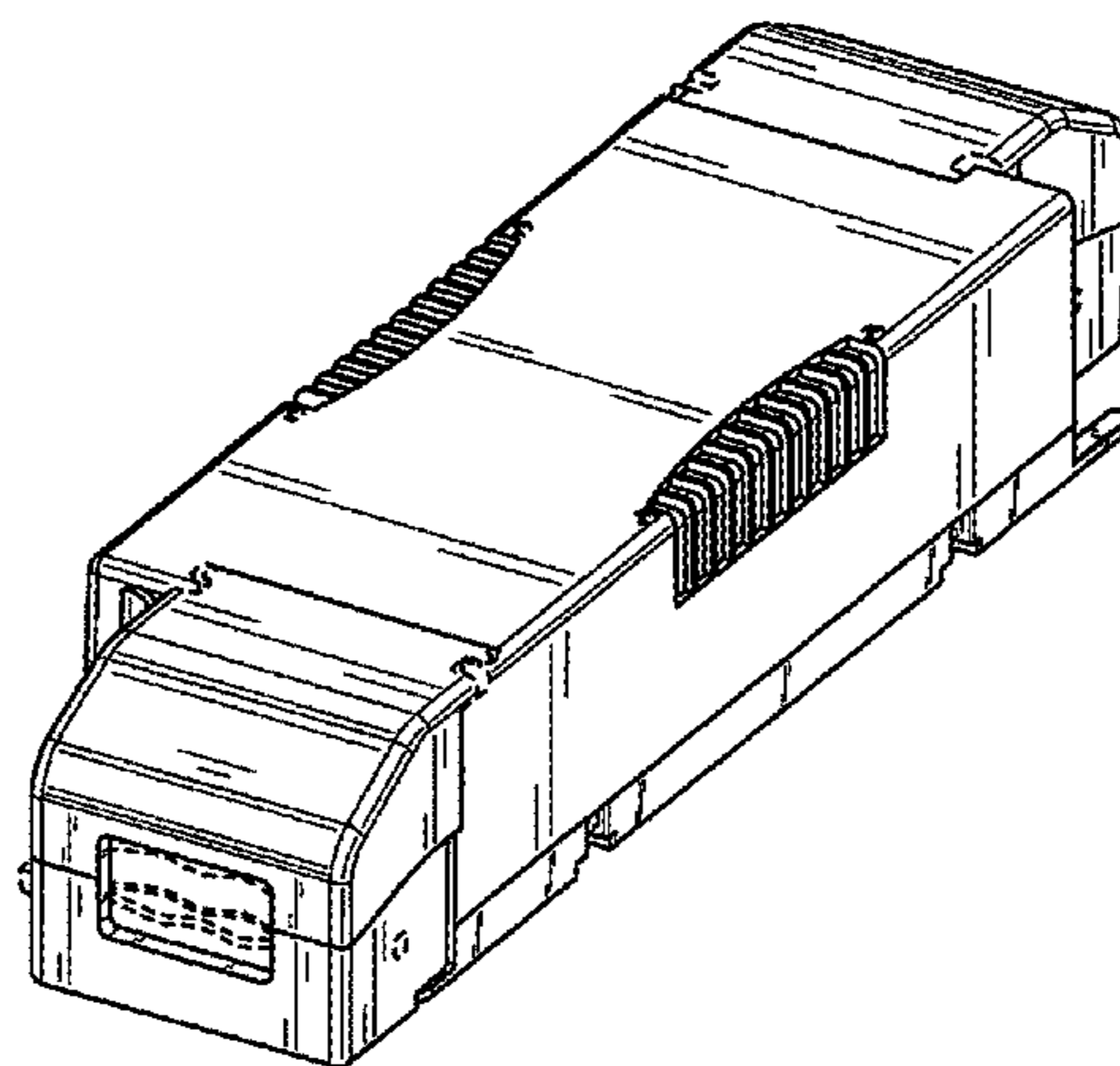
(57) **CLAIM**

The ornamental design for a housing for luminaire, as shown  
and described.

**DESCRIPTION**

FIG. 1 illustrates a perspective view of a housing for luminaire, showing our new and ornamental design;  
 FIG. 2 illustrates an additional perspective view thereof;  
 FIG. 3 illustrates a side view thereof;  
 FIG. 4 illustrates a front view thereof;  
 FIG. 5 illustrates a back view thereof;  
 FIG. 6 illustrates a top view thereof; and,  
 FIG. 7 illustrates a bottom view thereof.  
 The broken line showing of a housing for luminaire is included for the purpose of illustrating portions of the article that form no part of the claimed design.

**1 Claim, 7 Drawing Sheets**



(56)

**References Cited**

U.S. PATENT DOCUMENTS

2013/0272000 A1\* 10/2013 Pearson ..... F21S 2/005  
362/362

\* cited by examiner

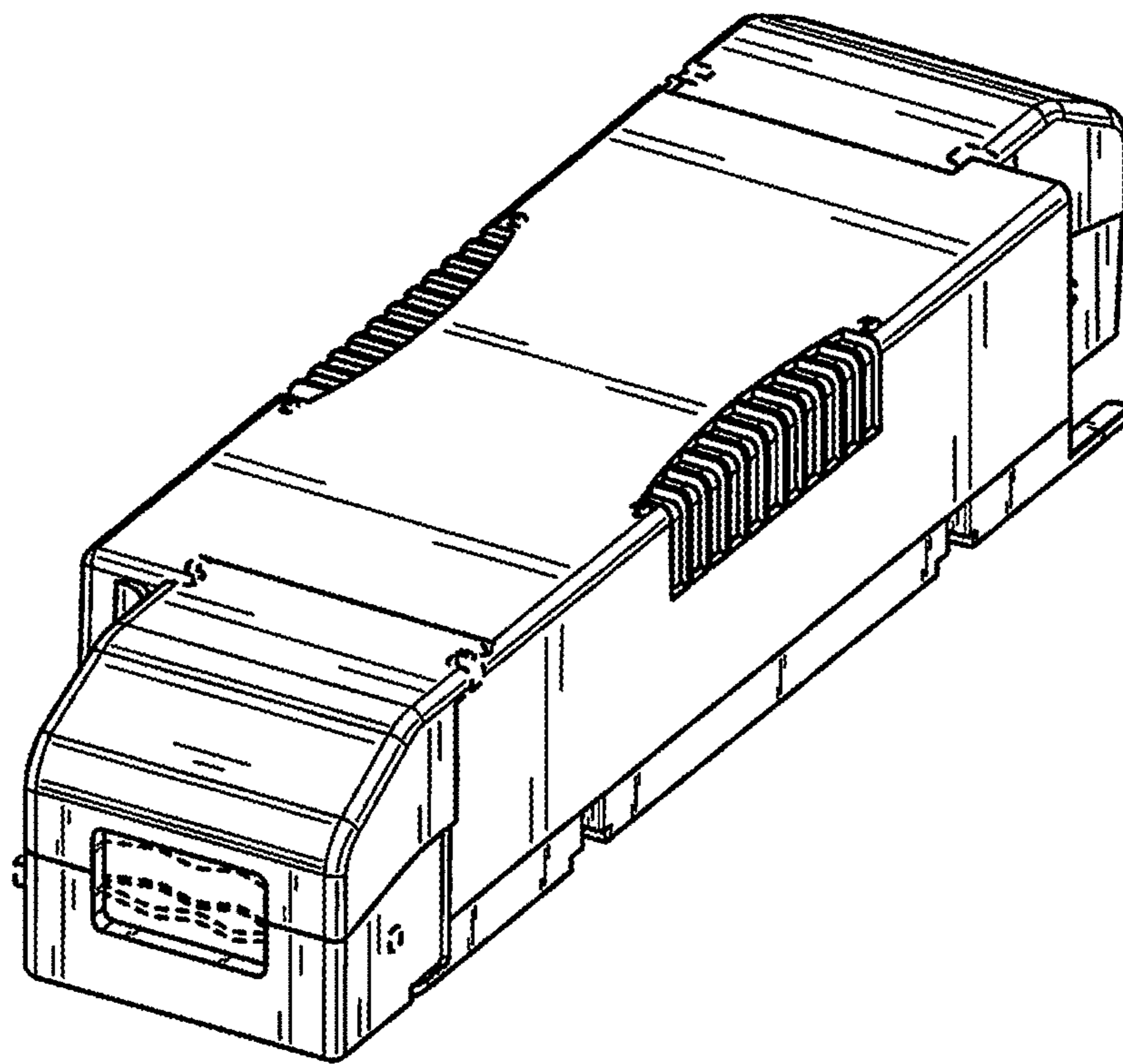


Fig 1

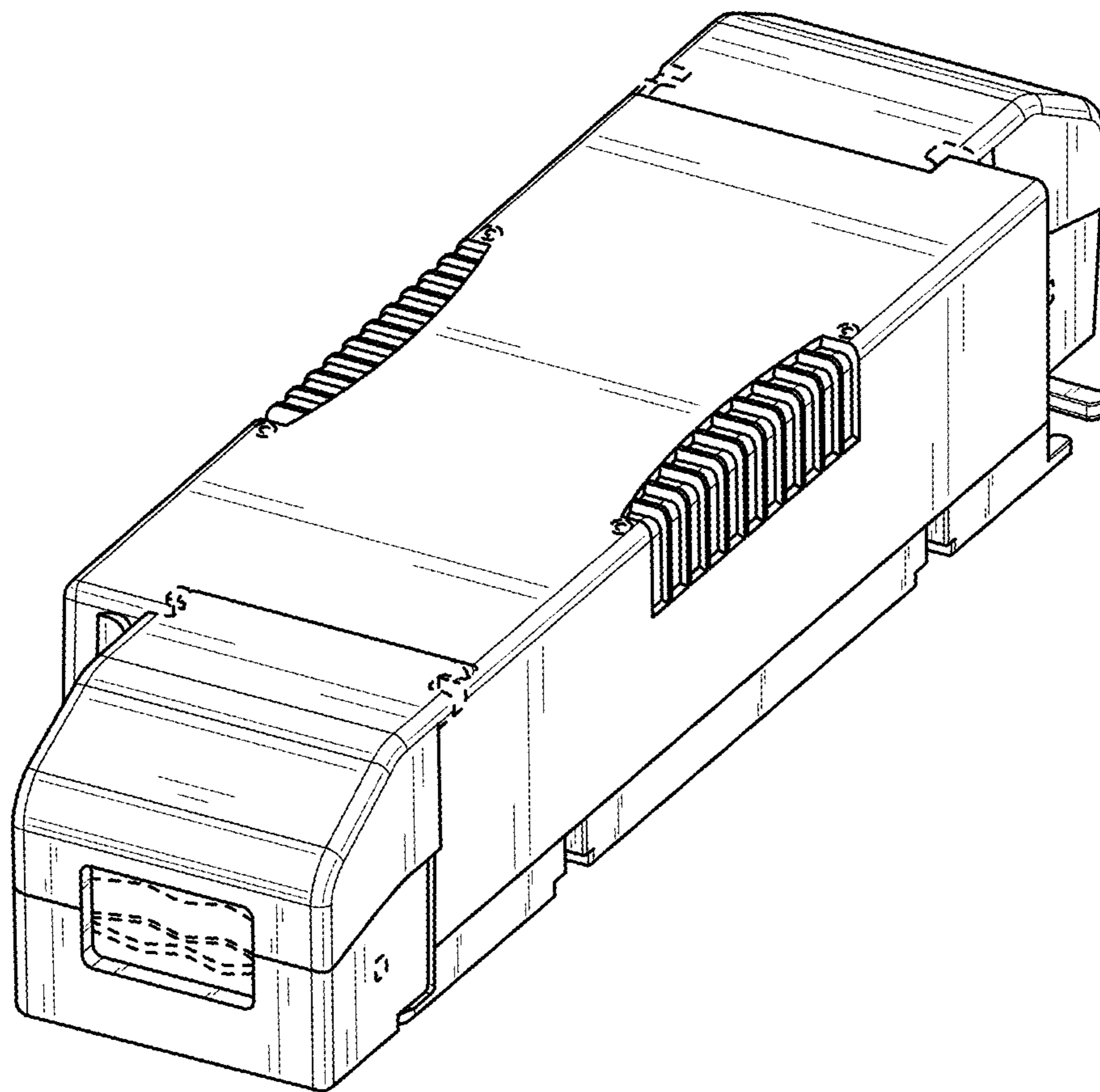


Fig 2

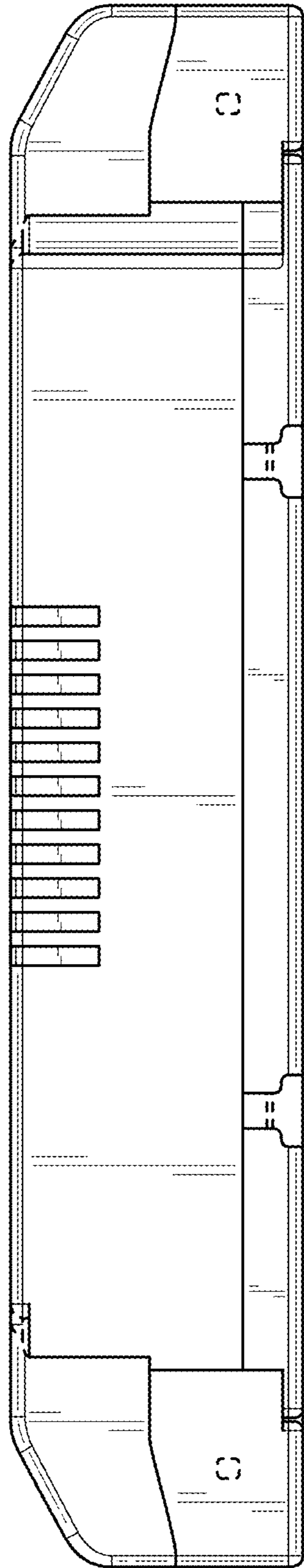


Fig 3

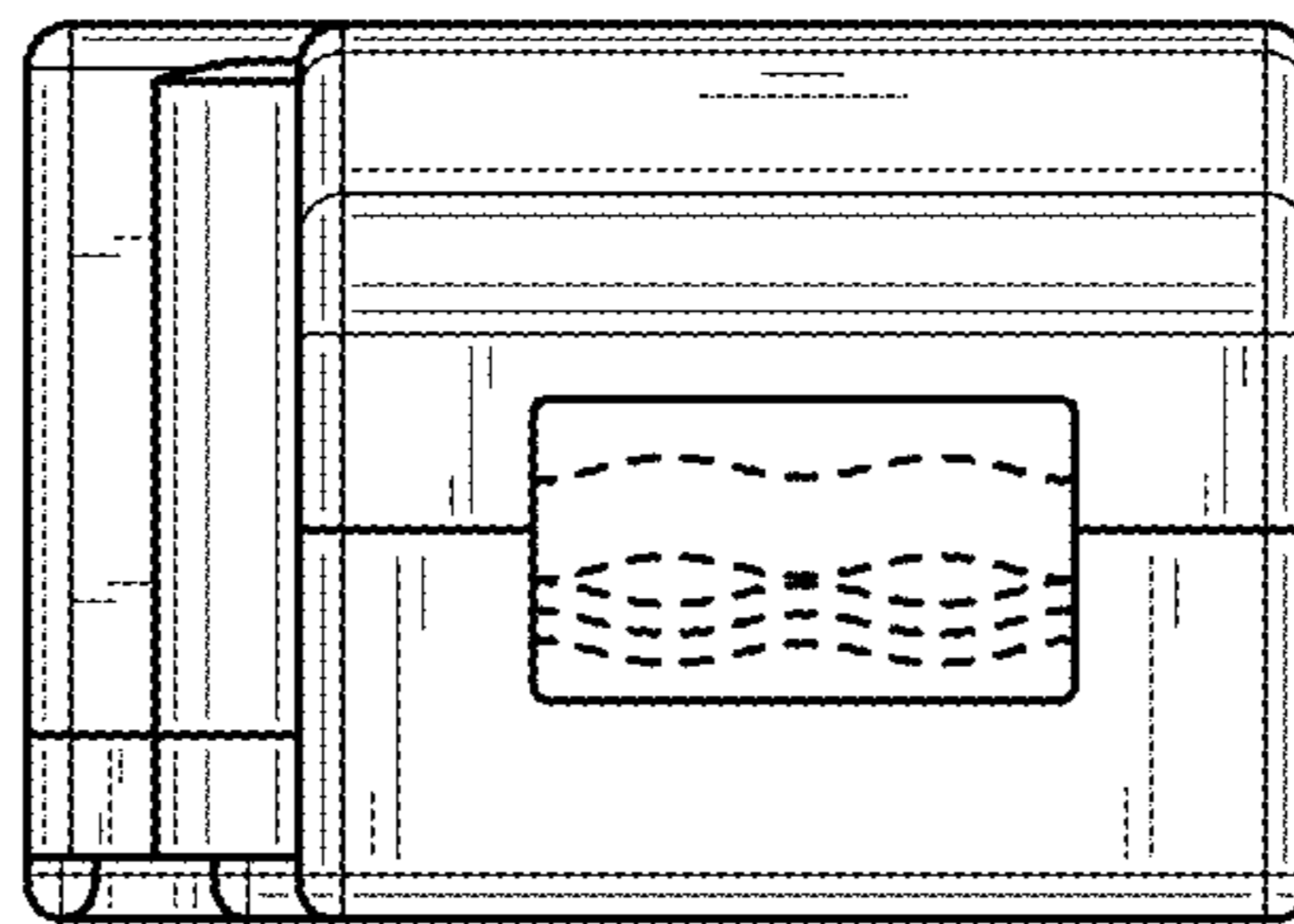


Fig 4

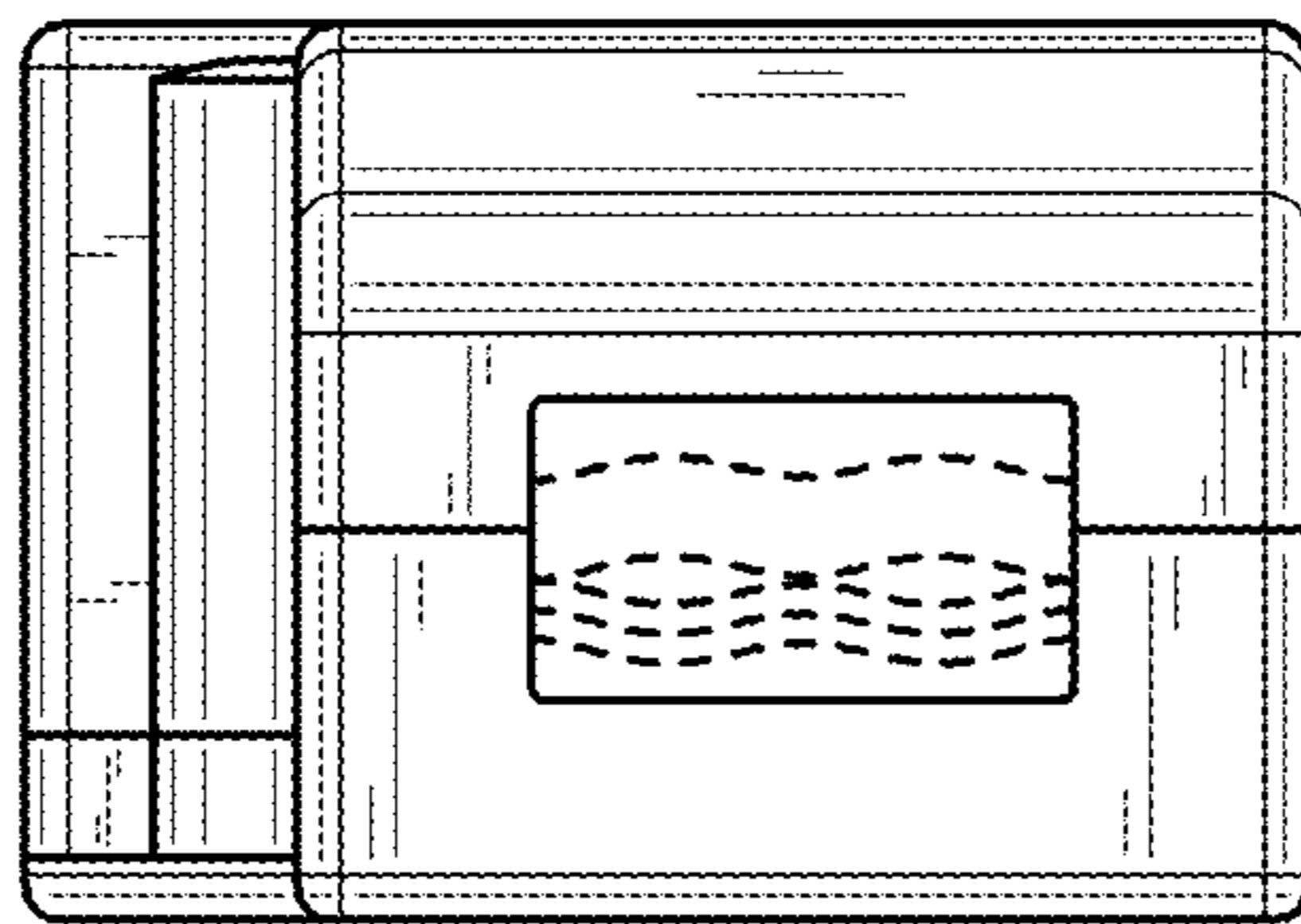


Fig 5



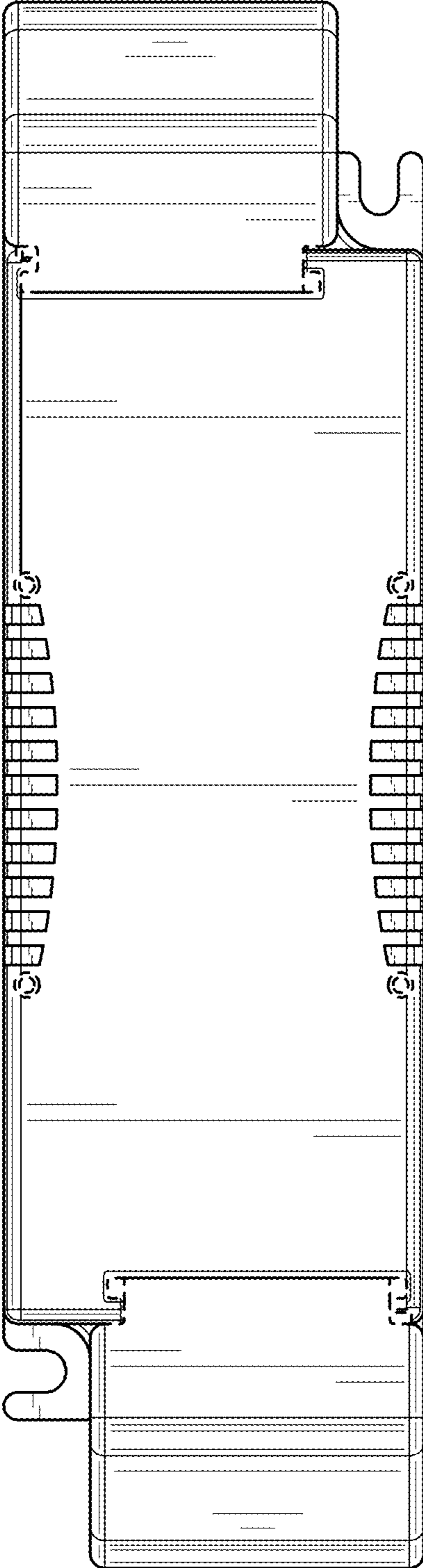


Fig 6



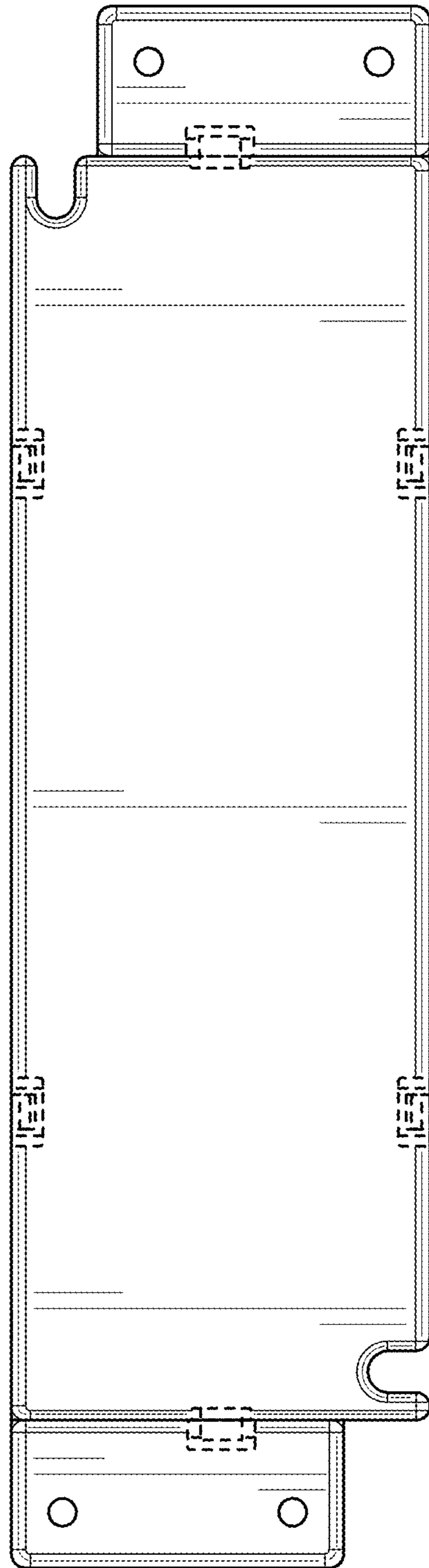


Fig 7