



US00D805242S

(12) **United States Design Patent**
Hrach

(10) **Patent No.:** **US D805,242 S**

(45) **Date of Patent:** **** Dec. 12, 2017**

- (54) **HOUSING FOR LUMINAIRE**
- (71) Applicant: **TRIDONIC GMBH & CO. KG,**
Dornbirn (AT)
- (72) Inventor: **Juergen Hrach,** Feldkirch (AT)
- (73) Assignee: **TRIDONIC GMBH & CO KG,**
Dornbirn (AT)

7,329,024 B2 * 2/2008 Lynch F21V 29/74
257/99
D602,196 S * 10/2009 Noh D26/138
D654,442 S * 2/2012 Won D10/46
8,128,427 B2 * 3/2012 Mochizuki F21S 48/212
439/419
8,167,465 B2 * 5/2012 Cha F21V 15/01
315/185 R
D682,133 S * 5/2013 Chen D10/114.1
9,004,717 B2 * 4/2015 Ratkus F21S 4/008
362/222

(**) Term: **15 Years**

(Continued)

(21) Appl. No.: **29/565,588**

(22) Filed: **May 23, 2016**

(30) **Foreign Application Priority Data**

Nov. 25, 2015 (EP) 002 876 557

(51) **LOC (10) Cl.** **26-05**

(52) **U.S. Cl.**
USPC **D26/118**

(58) **Field of Classification Search**
USPC D26/20, 27, 30, 31, 32, 25, 35, 36, 42,
D26/46, 55, 69, 70, 78, 80, 101, 110,
D26/109, 118-120, 123, 124, 127, 133,
D26/134, 139; D7/416; D10/111-115;
D13/134, 158-178; D14/473; D99/99;
D25/126-135; D11/144
CPC . G02B 5/126; F21K 9/135; F21K 9/27; F21S
8/02; F21S 48/212; F21S 2/005; F21S
4/008; F21V 3/00; F21V 7/09; F21V
19/00; F21V 29/74; F21V 15/01; F21Y
2101/00; F21Y 2103/10; F21Y 2107/30;
F21Y 2115/10; H02G 3/0418; B60C
3/004; E04F 19/04; H05B 41/00; H05K
7/1455

See application file for complete search history.

(56) **References Cited**

U.S. PATENT DOCUMENTS

D388,280 S * 12/1997 Kessler D7/416
D538,237 S * 3/2007 Castaldo D13/158

OTHER PUBLICATIONS

“WAC Lighting HR-8403H Recessed Low Voltage New Construction with Magnetic Transformer” Jul. 23, 2007, amazon.com, site visited Feb. 15, 2017 <<https://www.amazon.com/WAC-Lighting-HR-8403H-Construction-Transformer/dp/B001R5ZE5S>>.*

Primary Examiner — Kevin K Rudzinski

Assistant Examiner — Paul D Bohannon

(74) *Attorney, Agent, or Firm* — Scully Scott Murphy and Presser; Frank Digiglio

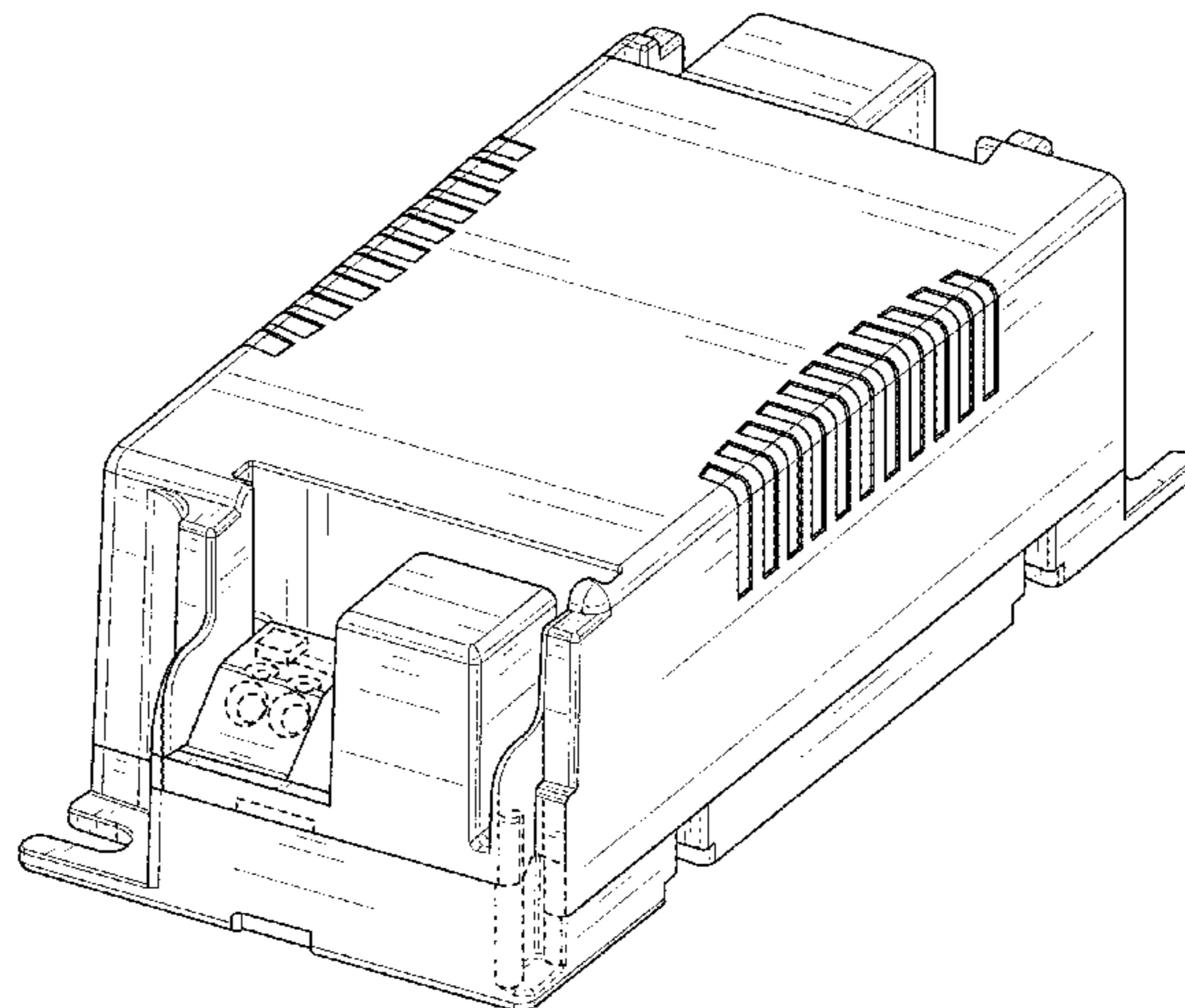
(57) **CLAIM**

The ornamental design for a housing for luminaire, as shown and described.

DESCRIPTION

FIG. 1 illustrates a perspective view of a housing for luminaire, showing our new and ornamental design;
FIG. 2 illustrates an additional perspective view thereof;
FIG. 3 illustrates a side view thereof;
FIG. 4 illustrates a front view thereof;
FIG. 5 illustrates a back view thereof;
FIG. 6 illustrates a top view thereof; and,
FIG. 7 illustrates a bottom view thereof.
The broken line showing of a housing for luminaire is included for the purpose of illustrating portions of the article that form no part of the claimed design.

1 Claim, 7 Drawing Sheets



(56)

References Cited

U.S. PATENT DOCUMENTS

9,121,580	B1 *	9/2015	Bryant	F21V 19/00
9,565,782	B2 *	2/2017	Alexander	H05K 7/1455
2006/0214592	A1 *	9/2006	Hopkins	H05B 41/00
					315/56
2013/0272000	A1 *	10/2013	Pearson	F21S 2/005
					362/362

* cited by examiner

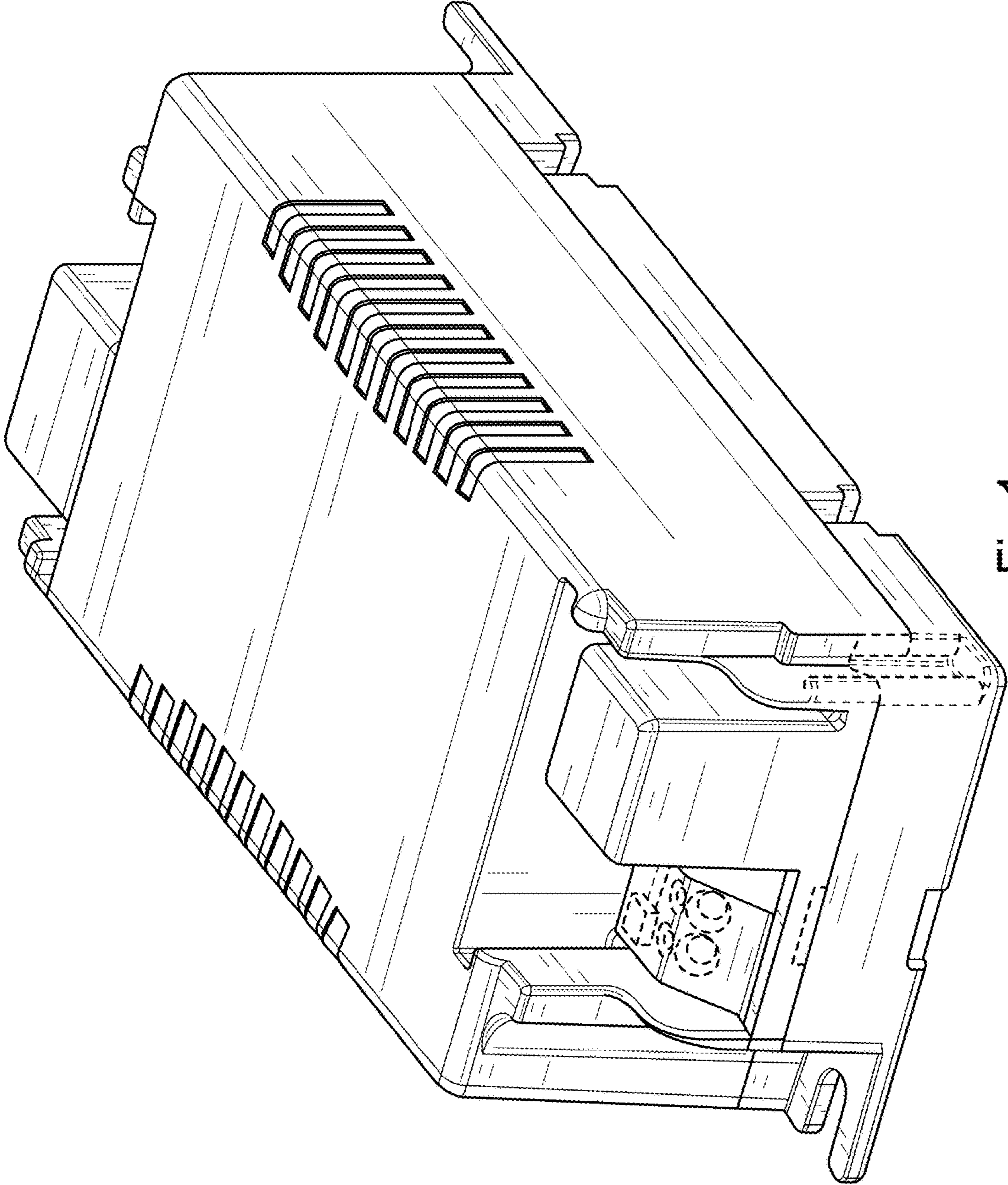


Fig 1

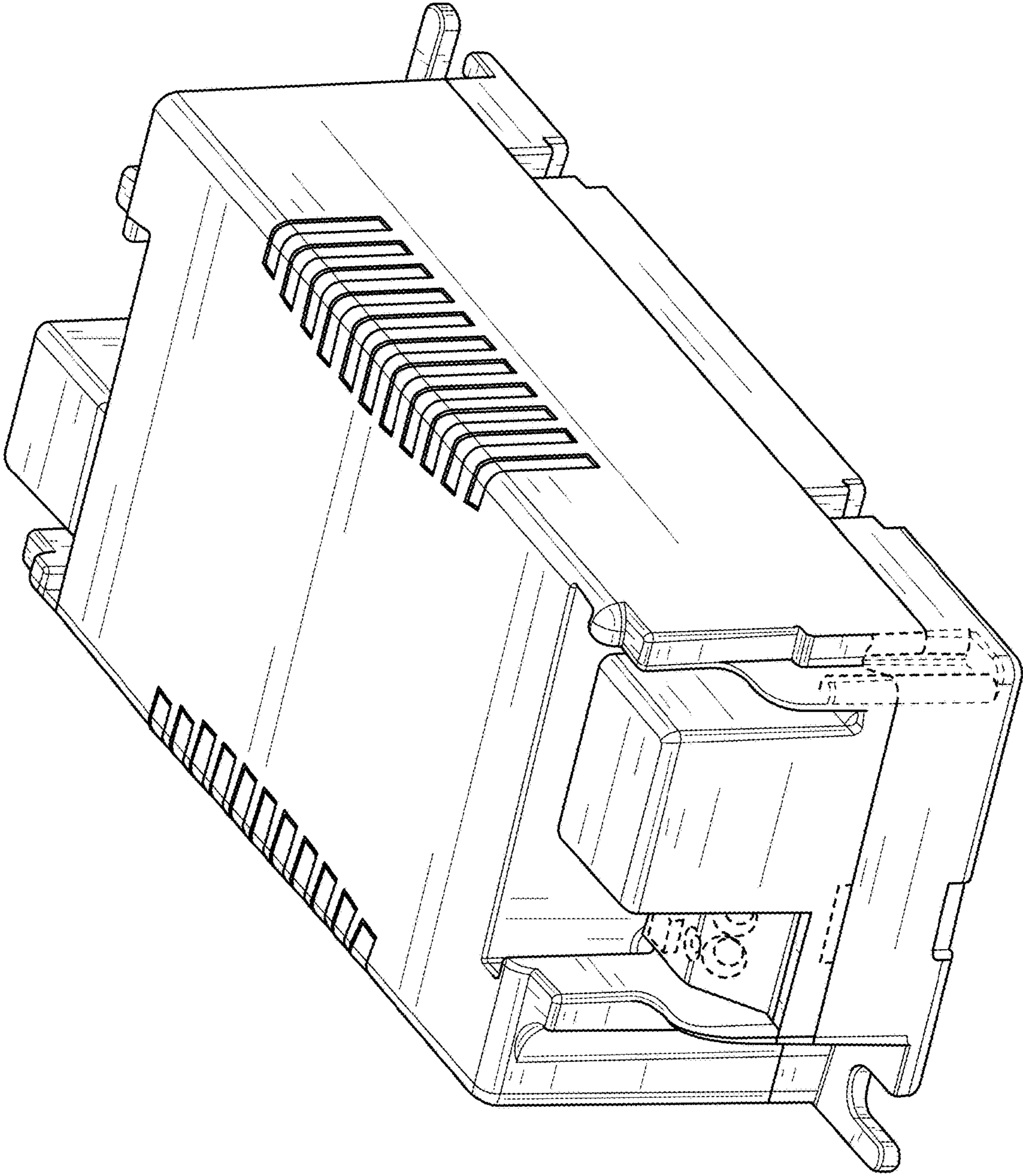


Fig 2

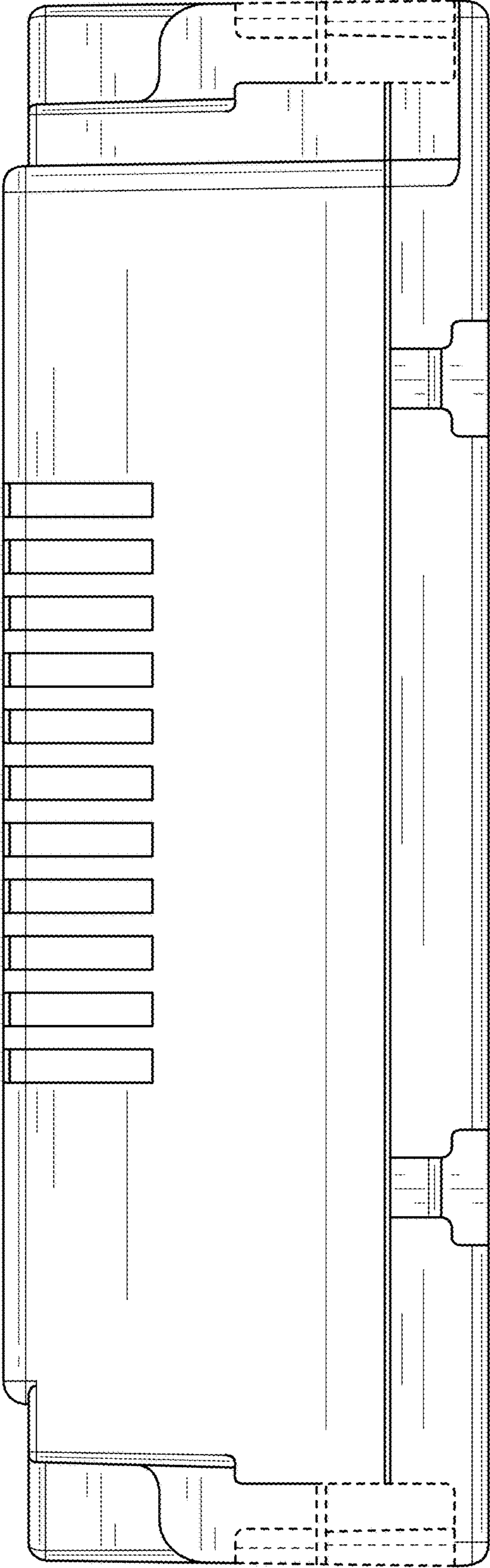


Fig 3

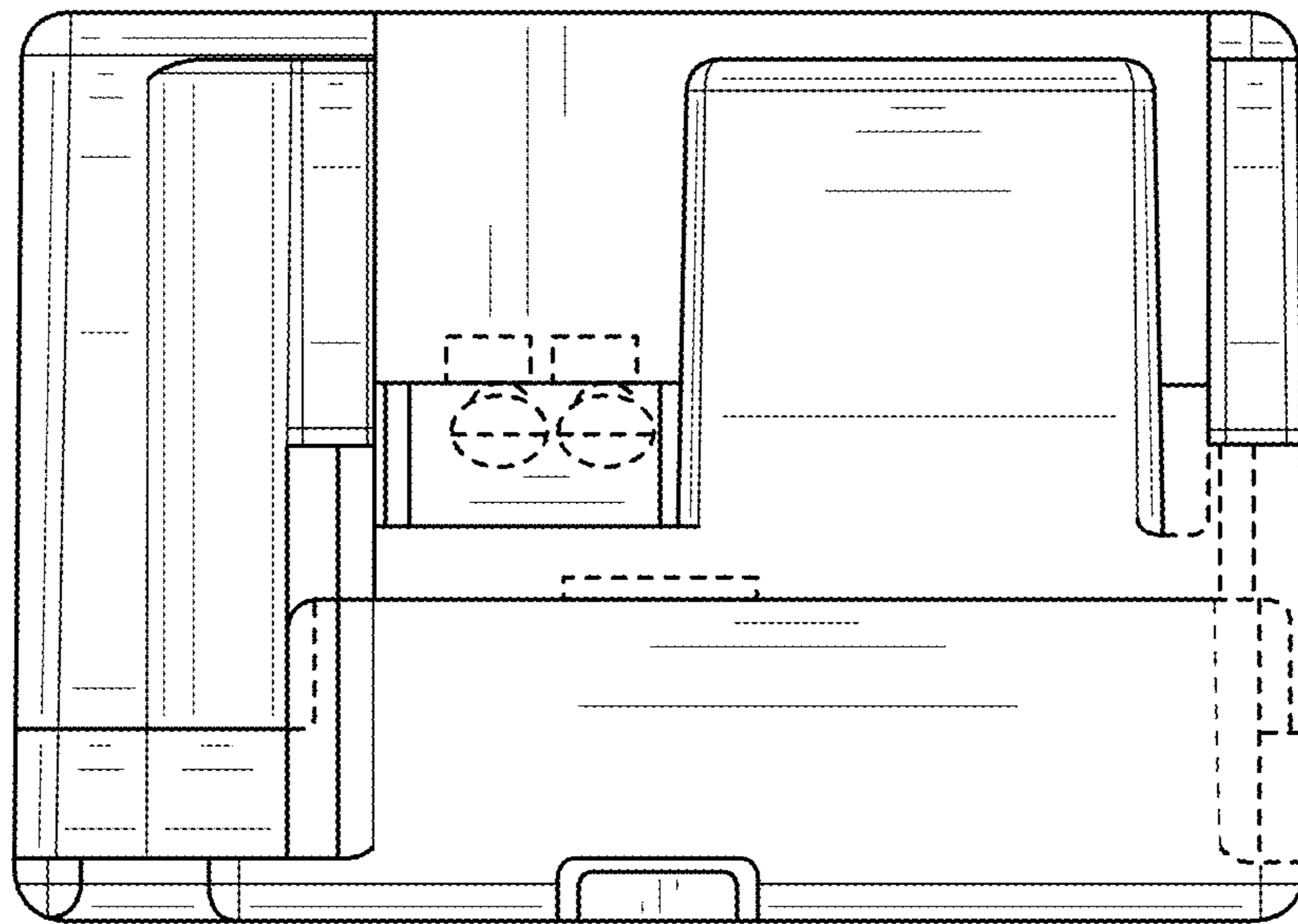


Fig 4

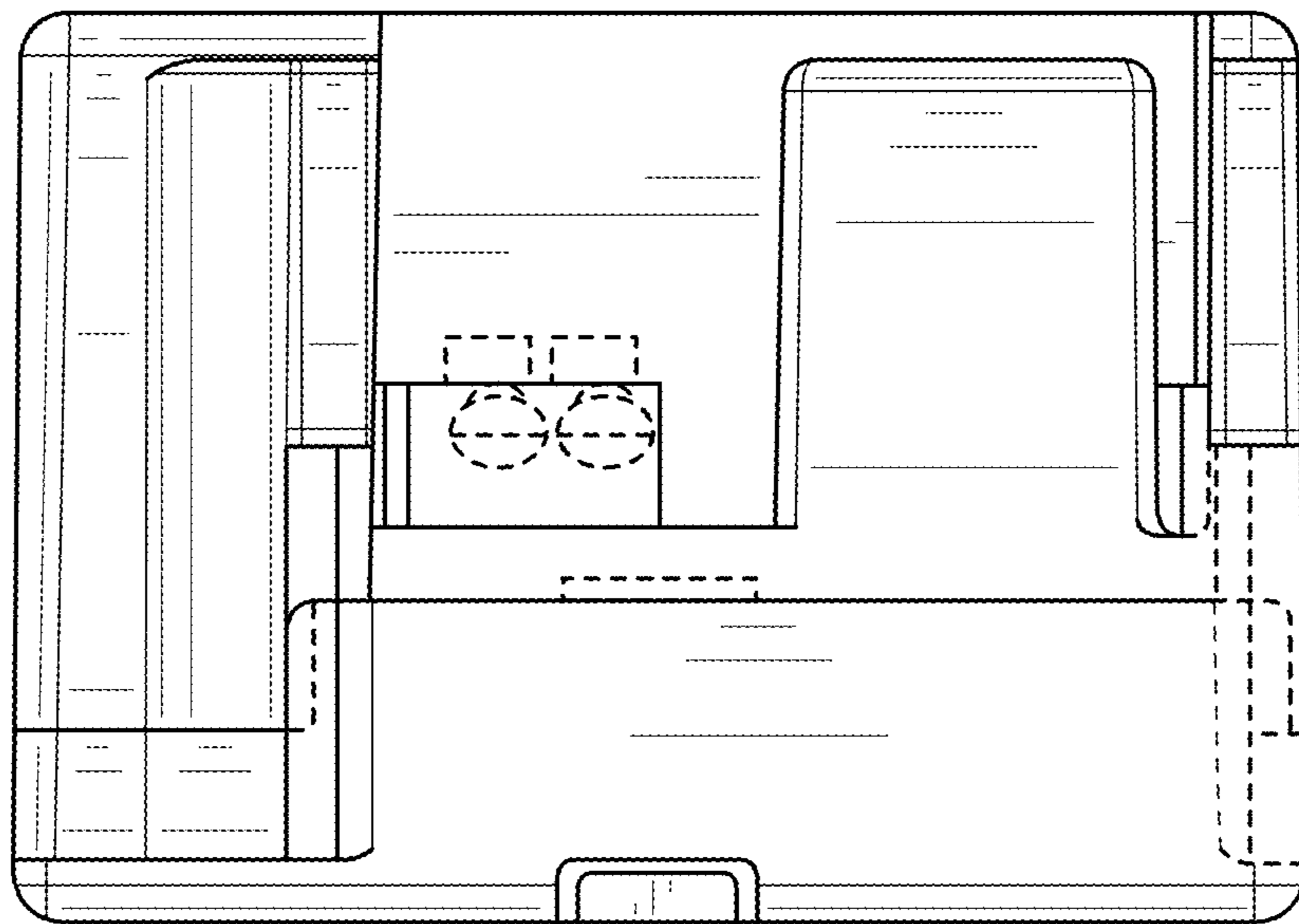


Fig 5

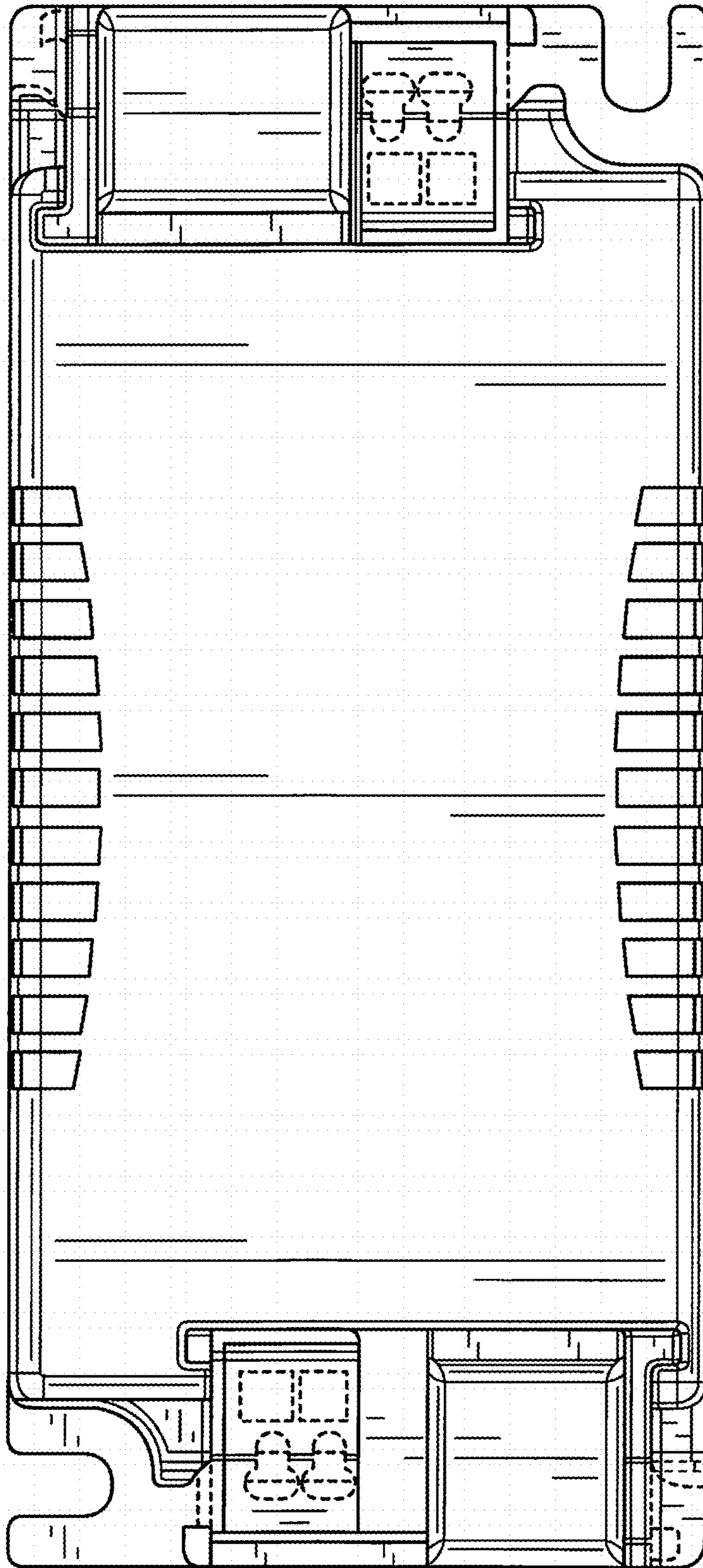


Fig 6

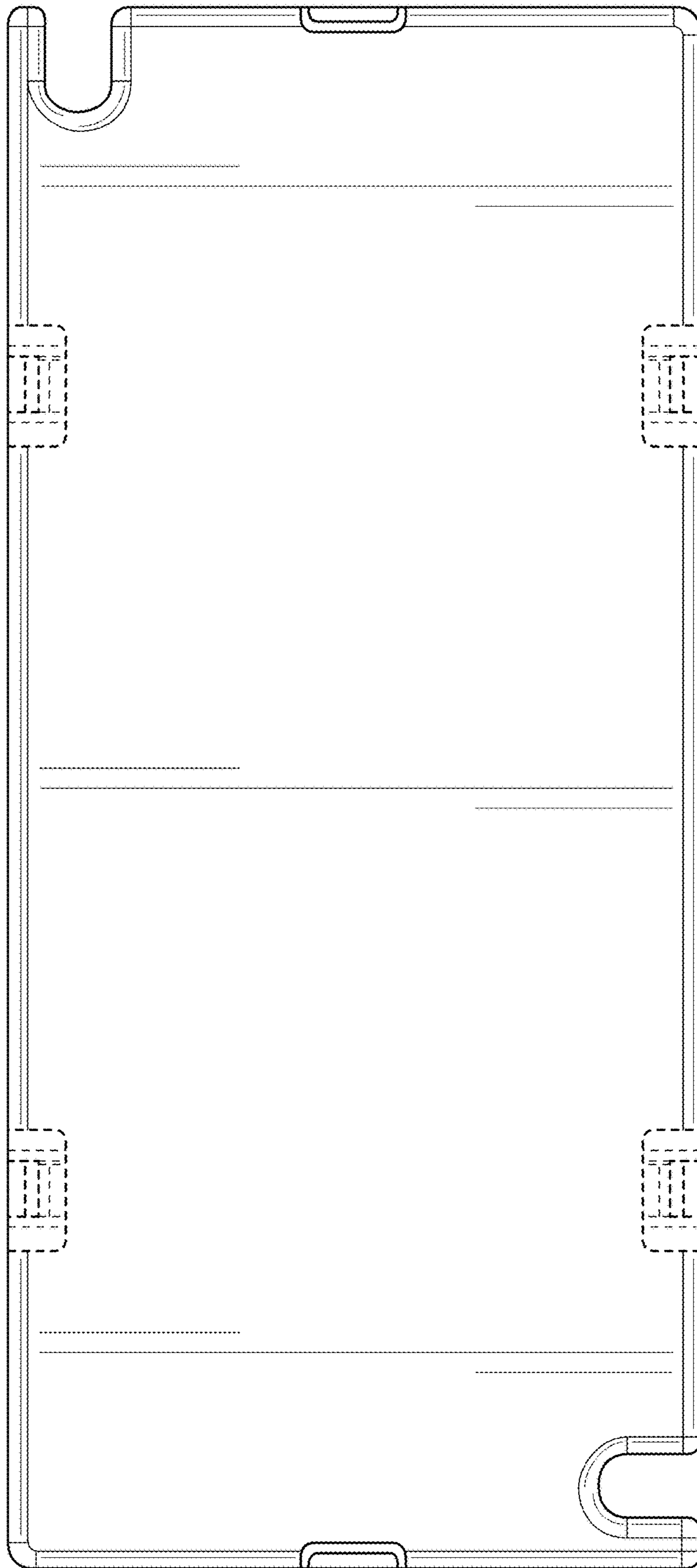


Fig 7