



US00D805241S

(12) **United States Design Patent**
Fletcher et al.

(10) **Patent No.:** **US D805,241 S**

(45) **Date of Patent:** **** Dec. 12, 2017**

(54) **LIGHT FIXTURE**

(71) Applicant: **Phoenix Products Company, Inc.**,
Milwaukee, WI (US)

(72) Inventors: **Robert Kenneth Yasuji Fletcher**,
Racine, WI (US); **Erwin W. Greenwaldt**,
Cedarburg, WI (US); **Thomas P. Keul**,
West Bend, WI (US)

(73) Assignee: **PHOENIX PRODUCTS COMPANY,
INC.**, Milwaukee, WI (US)

(**) Term: **15 Years**

(21) Appl. No.: **29/560,675**

(22) Filed: **Apr. 8, 2016**

(51) **LOC (10) Cl.** **26-99**

(52) **U.S. Cl.**
USPC **D26/118; D26/63**

(58) **Field of Classification Search**
USPC D26/63, 70, 71, 72, 76, 80, 88, 89, 92,
D26/118, 29, 35, 139, 141, 152
CPC .. F21S 8/033; F21S 8/035; F21S 8/036; F21S
8/037; F21S 8/043; F21S 8/046; F21S
8/06; F21S 8/061; F21S 8/063; F21S
8/065; F21S 8/088; F21V 17/107; F21V
5/007; F21V 21/30

See application file for complete search history.

(56) **References Cited**

U.S. PATENT DOCUMENTS

D84,424 S *	6/1931	Kuenzel	D26/35
D172,918 S *	8/1954	Belokin, Jr.	D26/35
D176,034 S *	11/1955	Pattis	D26/139
D210,973 S *	5/1968	Teague	D26/35
D267,818 S *	2/1983	Lynn	D26/35

(Continued)

OTHER PUBLICATIONS

Hella HypaLUME Heavy Duty LED Flood Light product sheets,
Hella Australia Pty Ltd., 2013.

Primary Examiner — Clare E Heflin

(74) *Attorney, Agent, or Firm* — Husch Blackwell LLP

(57) **CLAIM**

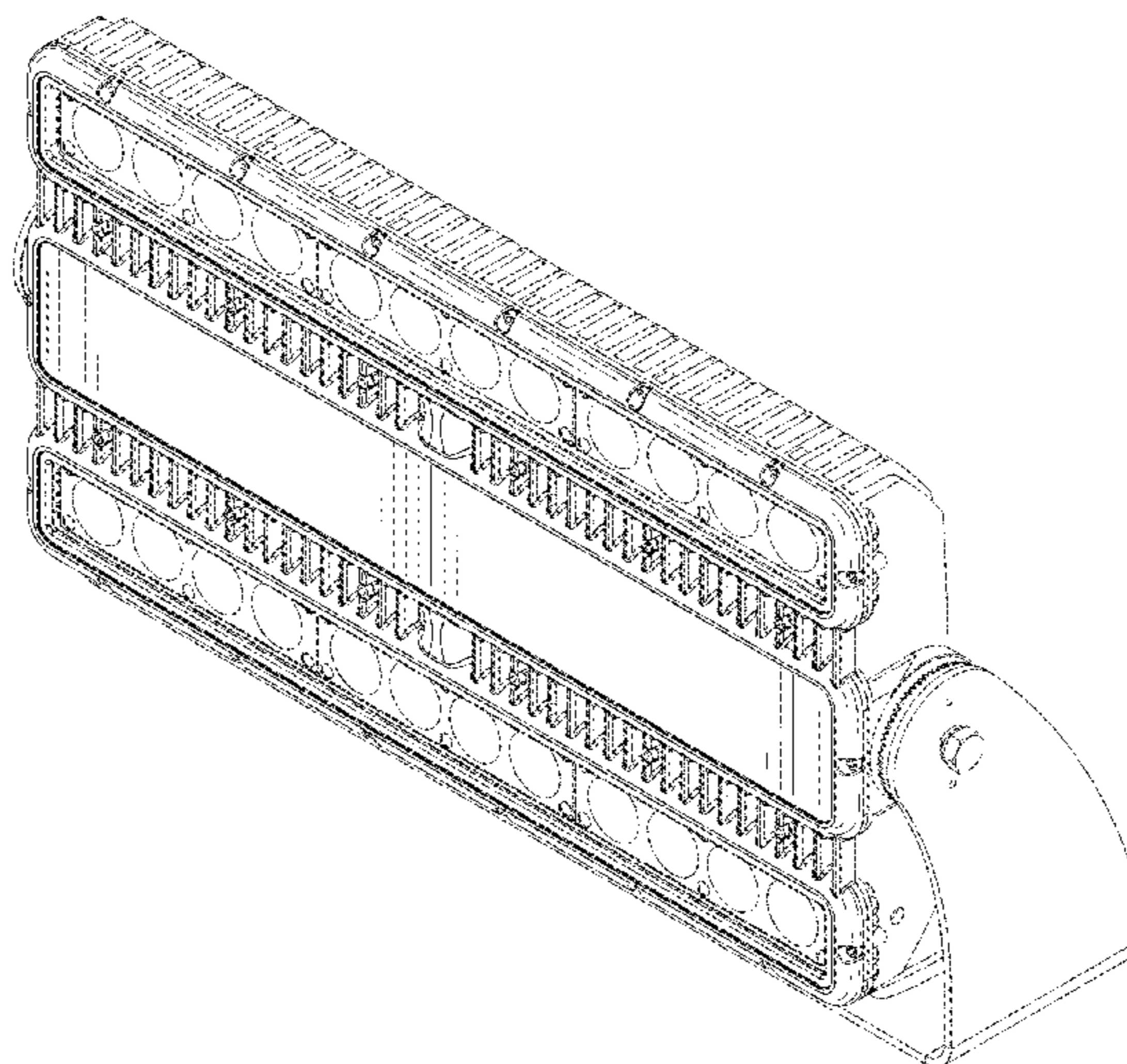
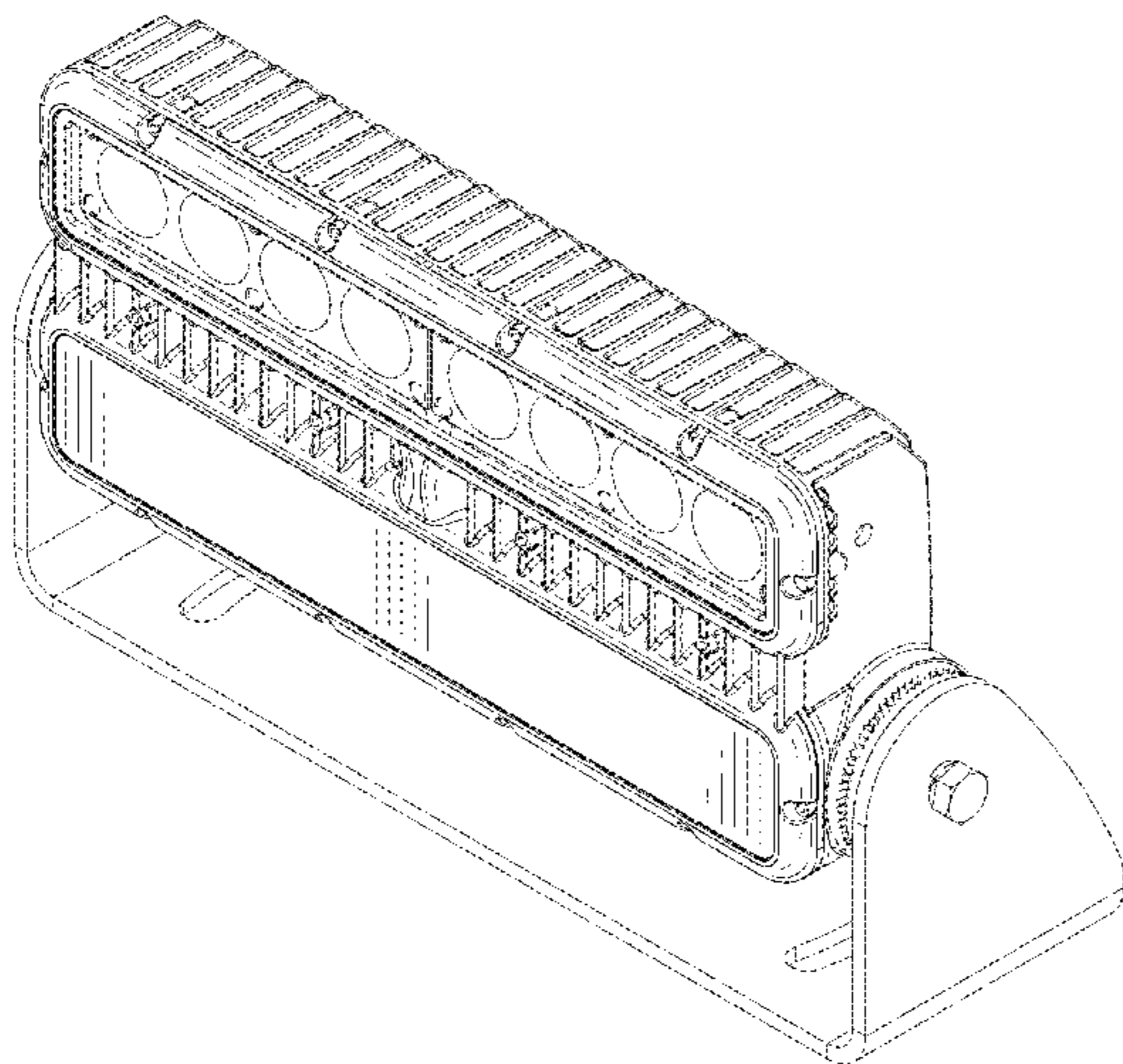
The ornamental design for a light fixture, as shown and described.

DESCRIPTION

FIG. 1 is a front perspective view of a first embodiment of a light fixture showing our new design; FIG. 2 is a rear perspective view thereof; FIG. 3 is a front view thereof; FIG. 4 is a rear view thereof; FIG. 5 is a right side view thereof; FIG. 6 is a left side view thereof; FIG. 7 is a top view thereof; FIG. 8 is a bottom view thereof; FIG. 9 is a front perspective view of a second embodiment thereof; FIG. 10 is a rear perspective view thereof; FIG. 11 is a front view thereof; FIG. 12 is a rear view thereof; FIG. 13 is a left side view thereof; FIG. 14 is a right side view thereof; FIG. 15 is a top view thereof; FIG. 16 is a bottom view thereof; FIG. 17 is a front perspective view of a third embodiment thereof; FIG. 18 is a rear perspective view thereof; FIG. 19 is a front view thereof; FIG. 20 is a rear view thereof; FIG. 21 is a left side view thereof; FIG. 22 is a right side view thereof; FIG. 23 is a top view thereof; and, FIG. 24 is a bottom view thereof.

The broken lines showing in the figures are for purposes of illustrating portions of the light fixture (or associated components) only and form no part of the claimed design.

1 Claim, 21 Drawing Sheets



(56)

References Cited

U.S. PATENT DOCUMENTS

D282,687 S * 2/1986 McMahon D26/119
D288,008 S * 1/1987 McMahon D26/121
D289,087 S * 3/1987 Kobata D26/120
D309,951 S * 8/1990 Iacovelli D26/35
D543,305 S * 5/2007 Wang D26/60
D564,694 S * 3/2008 Southern, Jr. D26/76
D585,152 S * 1/2009 Levine D26/76
D672,908 S * 12/2012 Wilcox F21V 19/0055
D26/118
D676,990 S * 2/2013 Adams D26/31
D677,425 S * 3/2013 Parkes D26/139
D695,435 S * 12/2013 Pedersen D26/63
D766,499 S * 9/2016 Packard D26/139
D780,359 S * 2/2017 Chen D26/63
2005/0117333 A1 * 6/2005 Yoshida F21S 8/033
362/147
2009/0196037 A1 * 8/2009 Xiao F21V 21/30
362/249.03
2011/0075409 A1 * 3/2011 Zheng F21S 8/033
362/231
2011/0310598 A1 * 12/2011 Swafford, Jr. A47F 3/001
362/217.02
2012/0188766 A1 * 7/2012 Lu F21V 29/004
362/249.02
2014/0078724 A1 * 3/2014 Bendit F21V 14/085
362/184
2014/0268746 A1 * 9/2014 Paine B60Q 1/0088
362/235
2016/0273748 A1 * 9/2016 Salm F21V 21/30

* cited by examiner

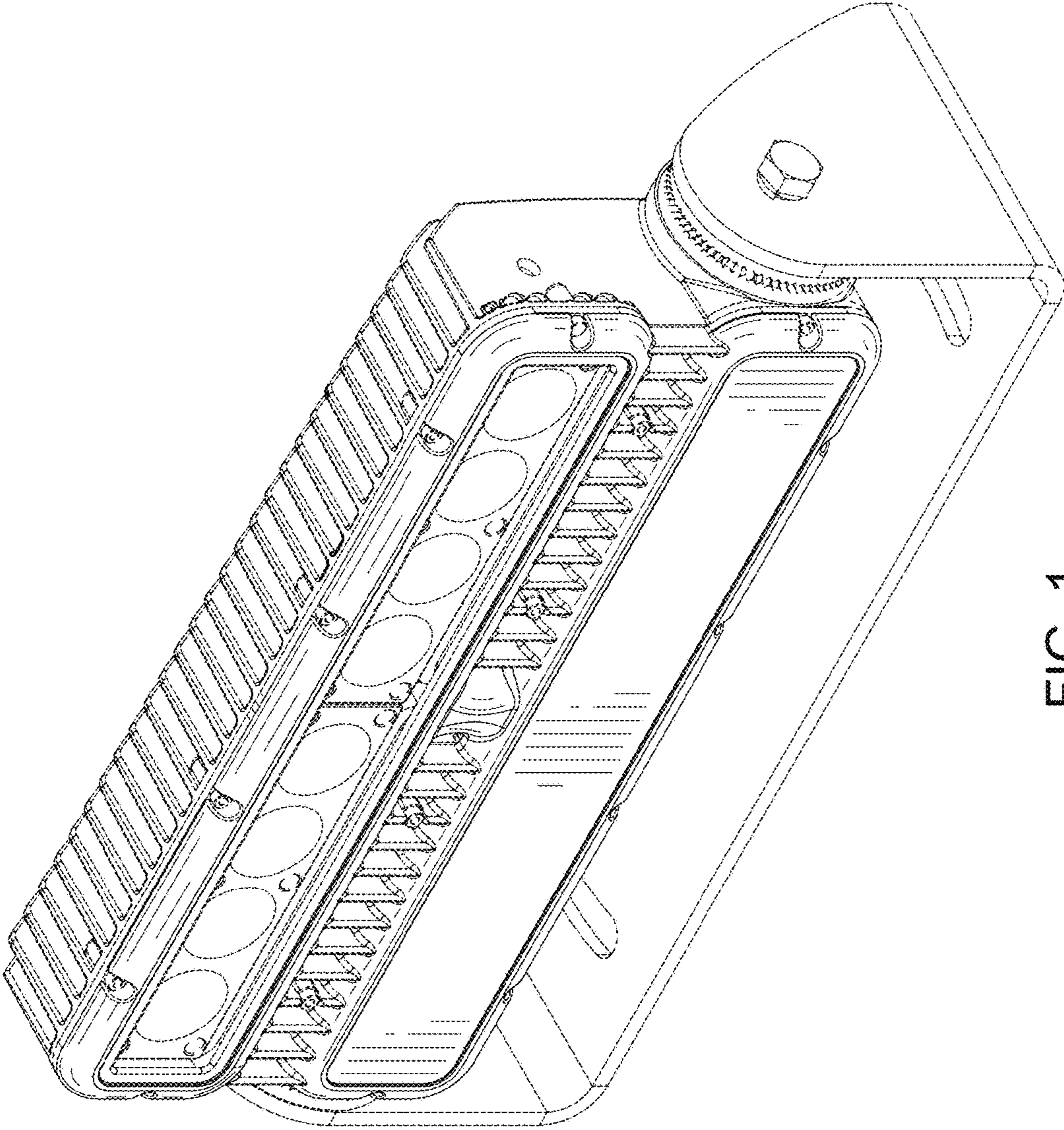


FIG. 1

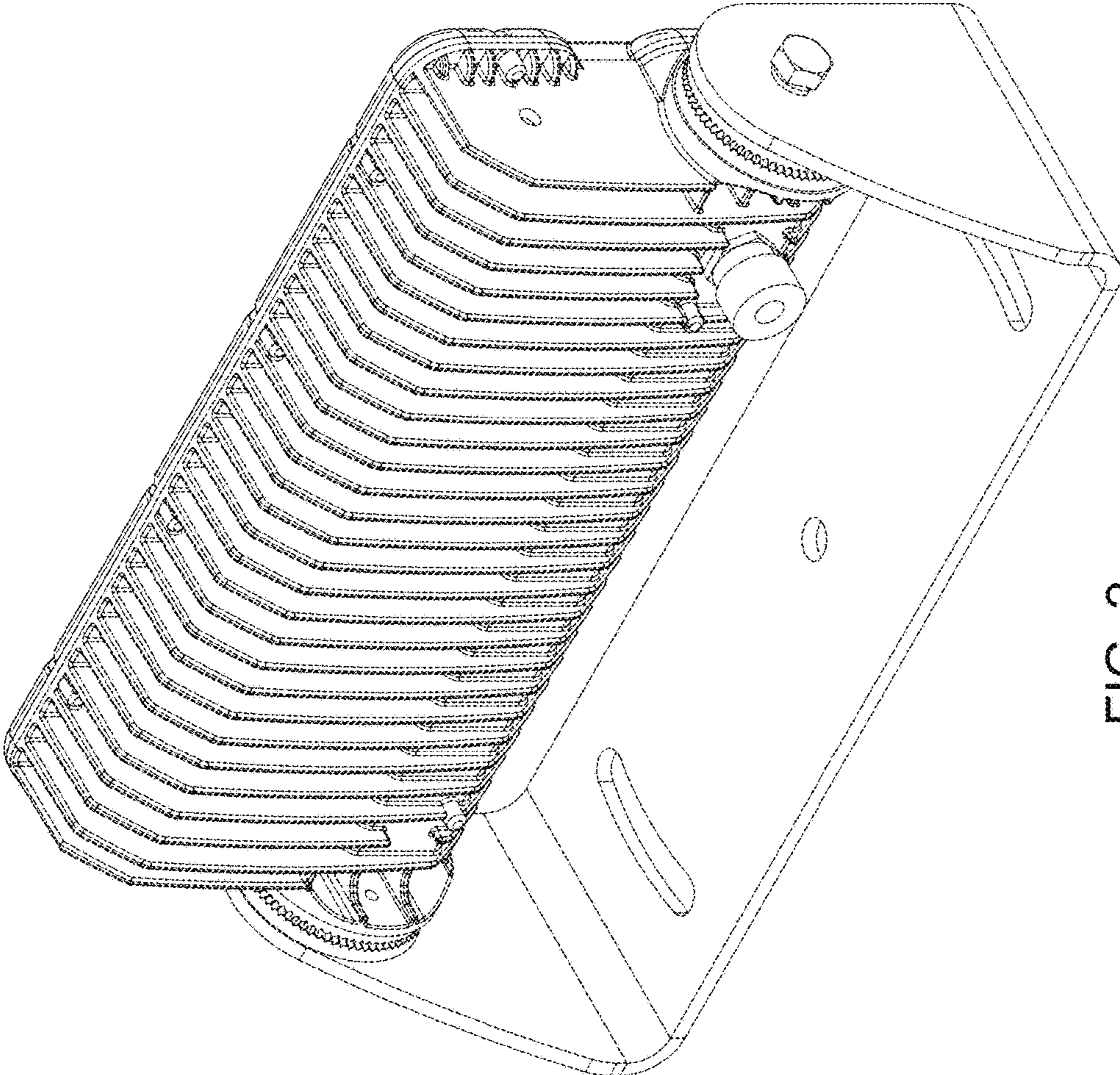


FIG. 2

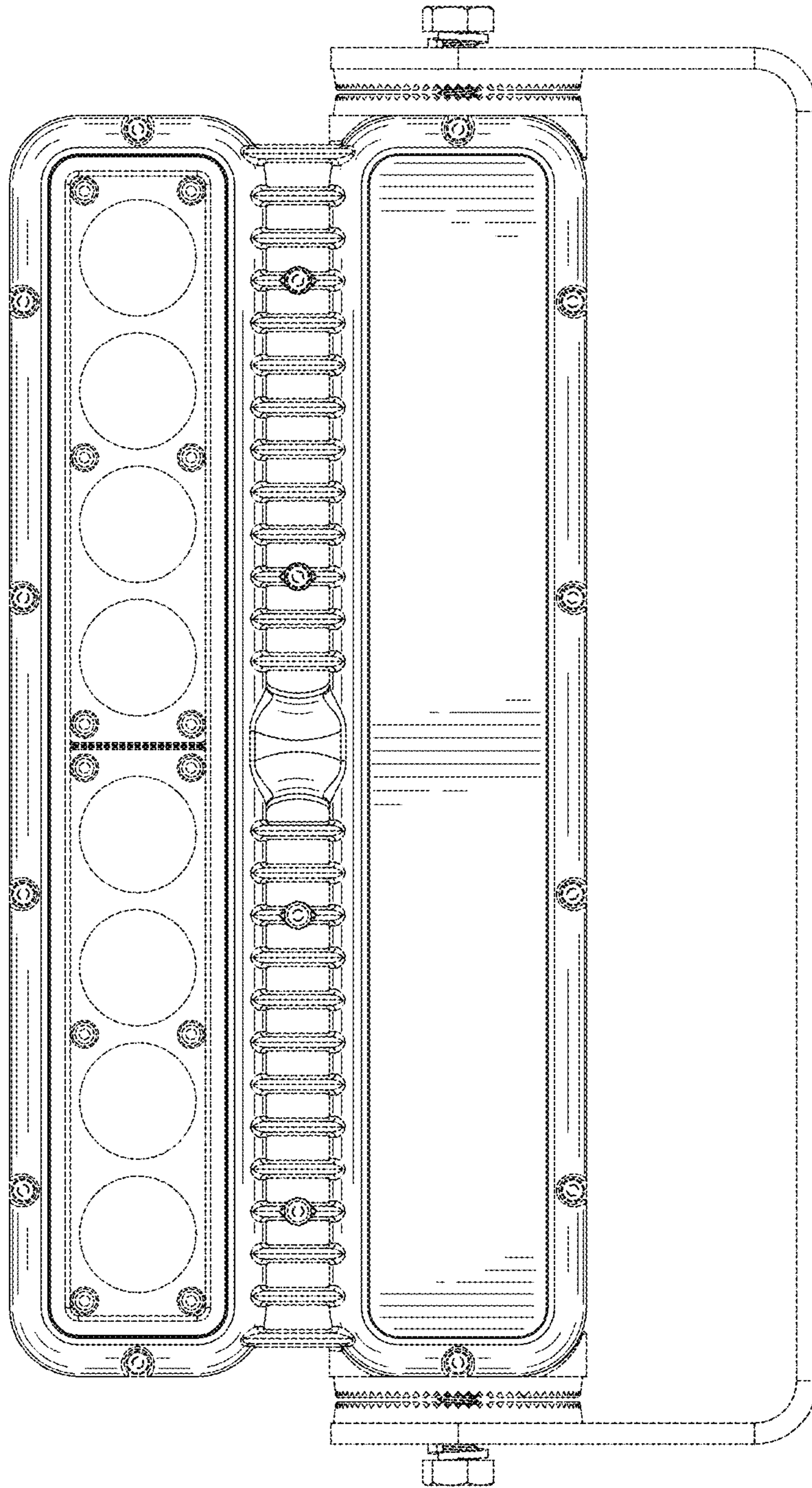


FIG. 3

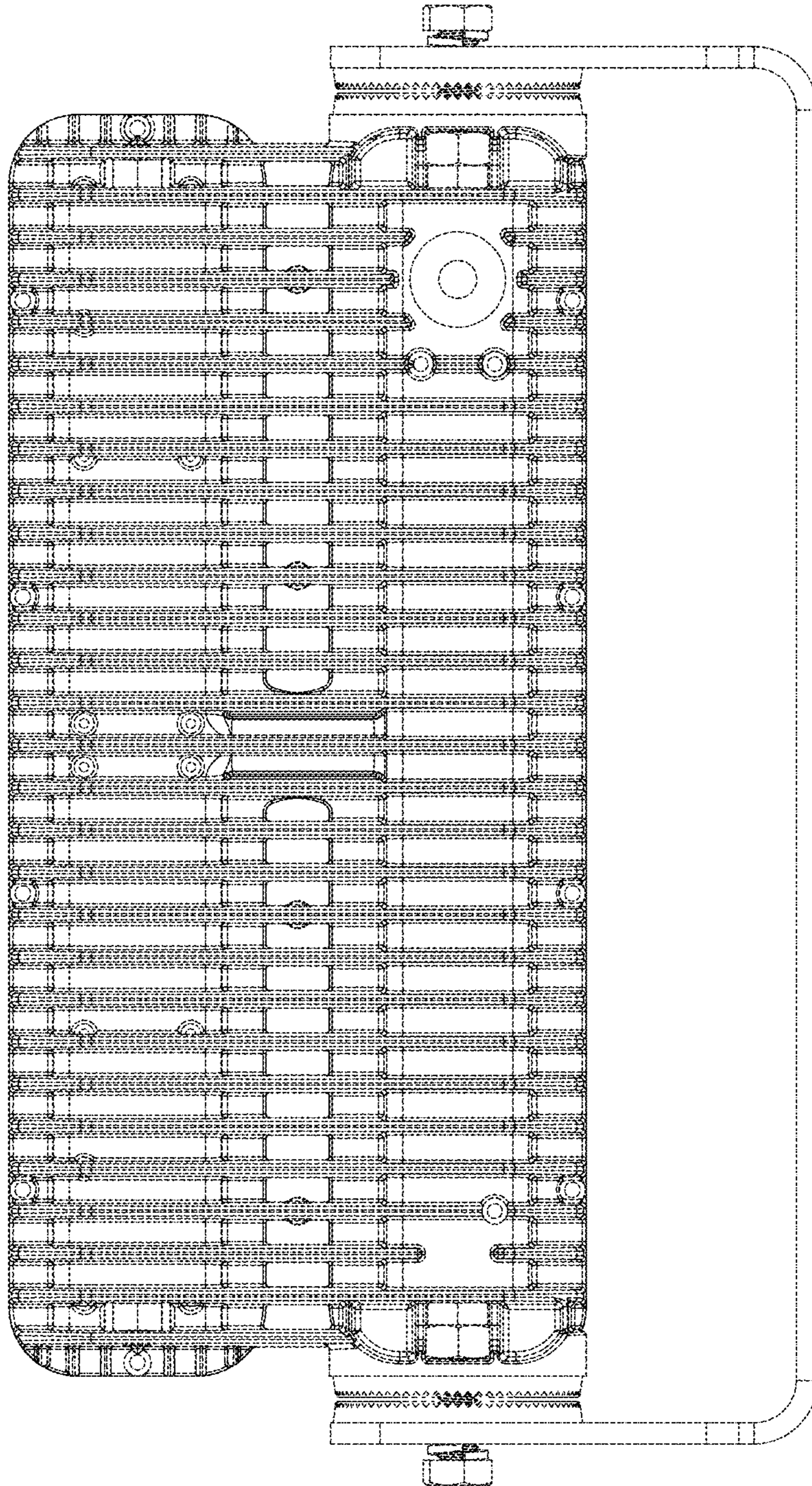


FIG. 4

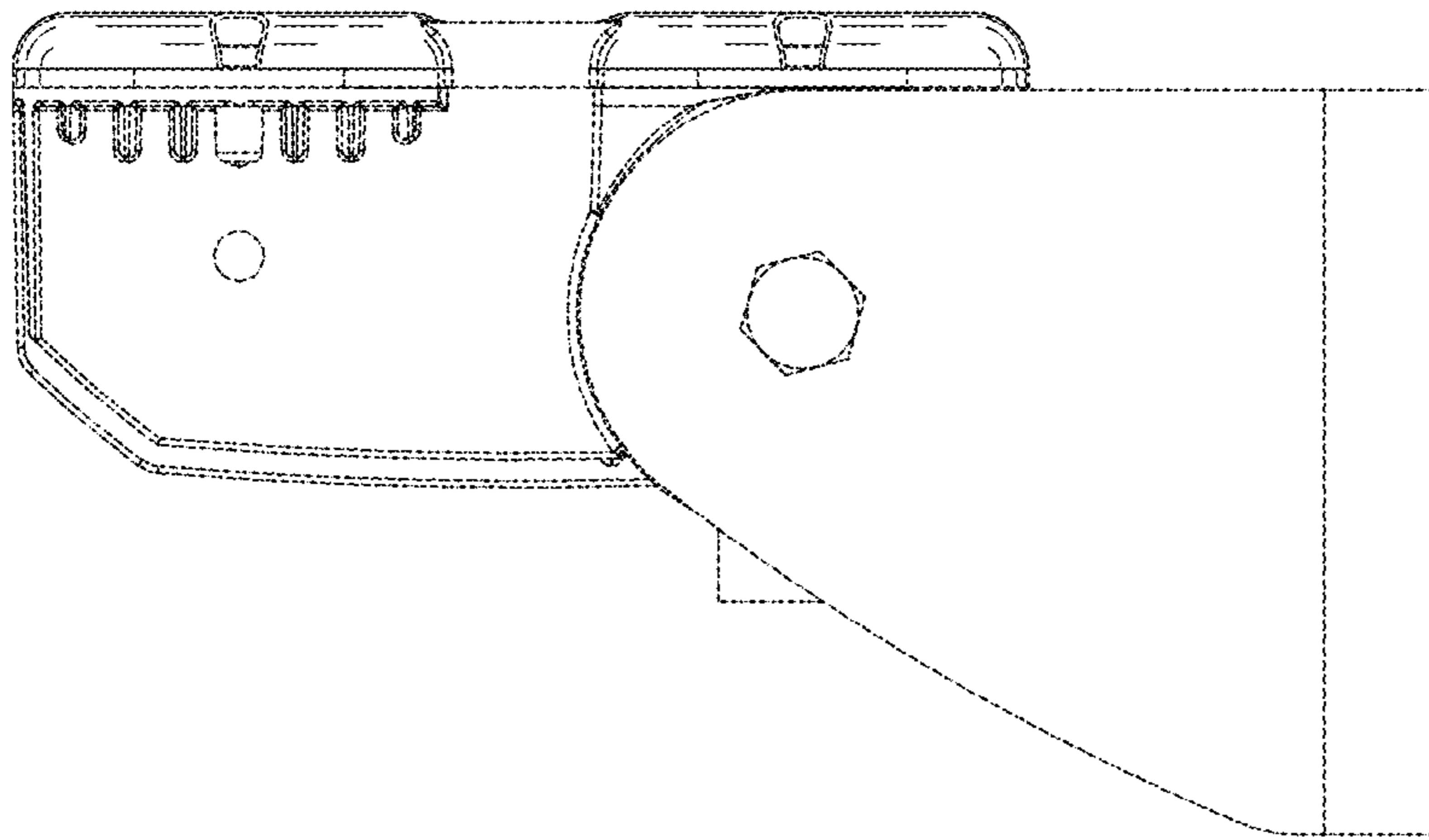


FIG. 6

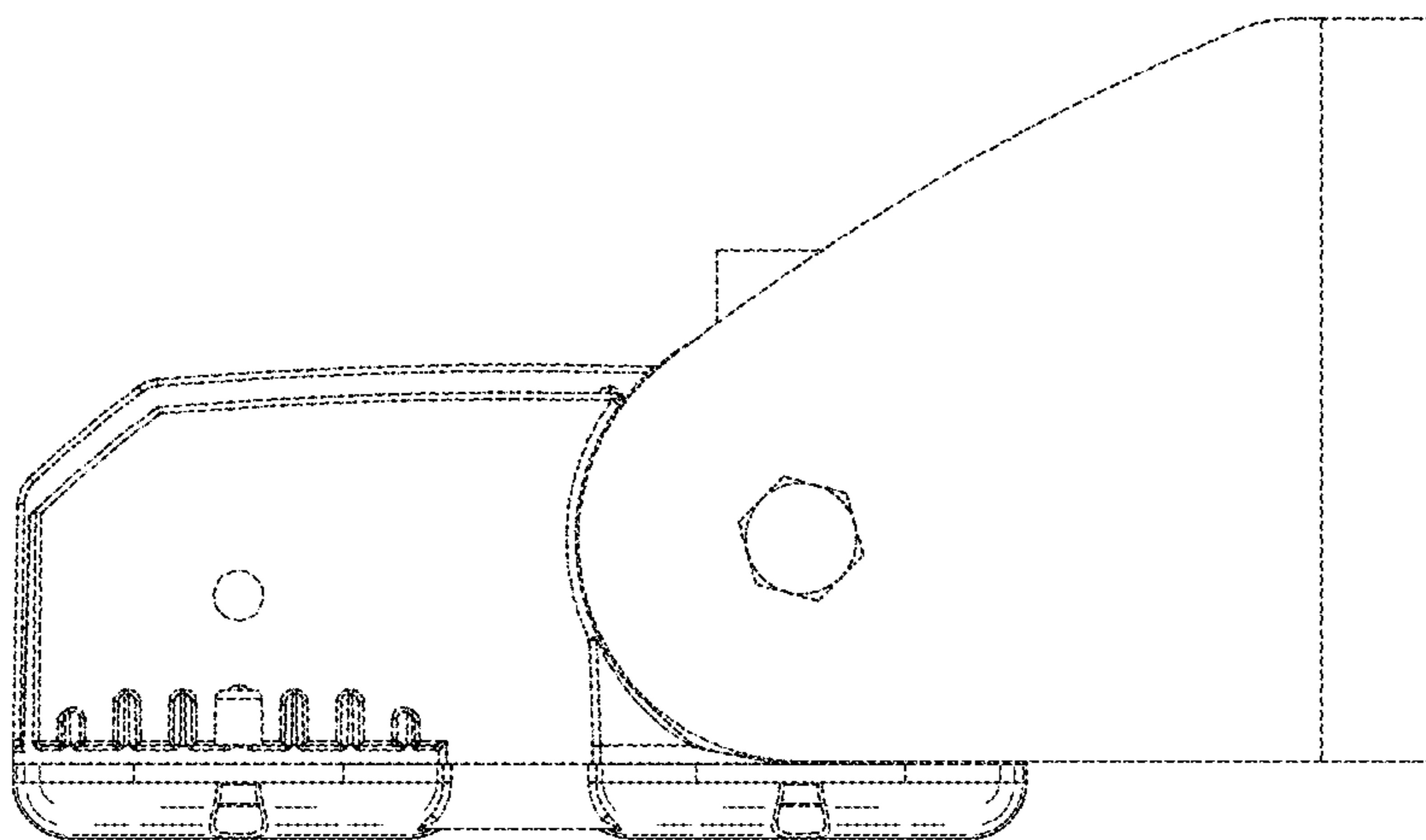


FIG. 5

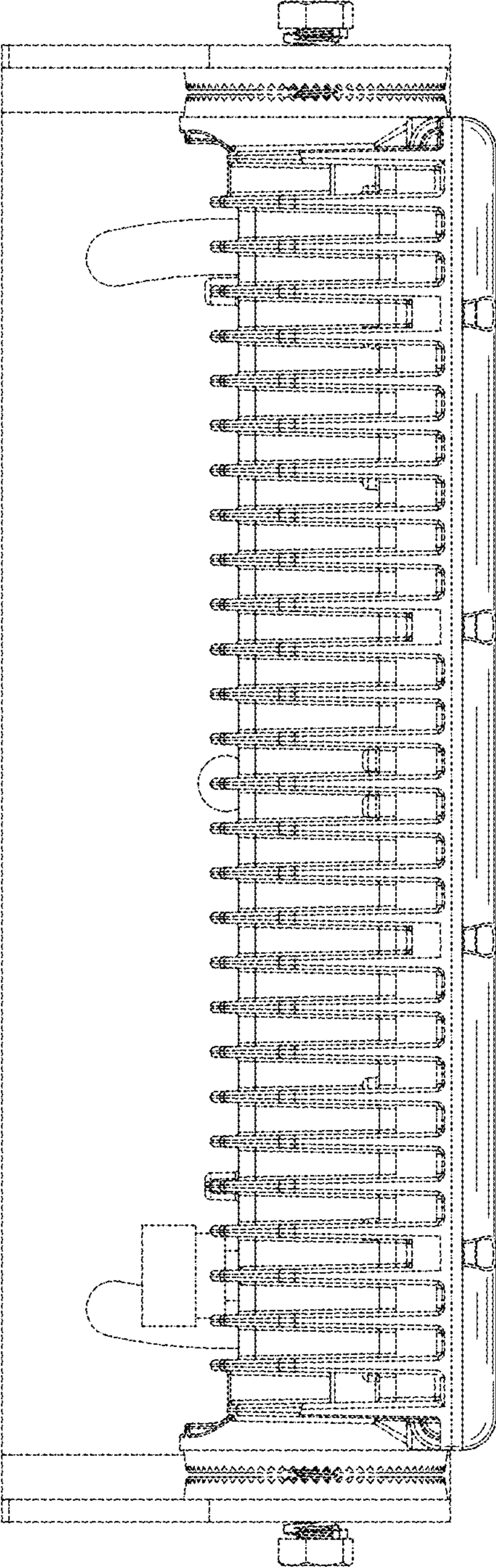


FIG. 7

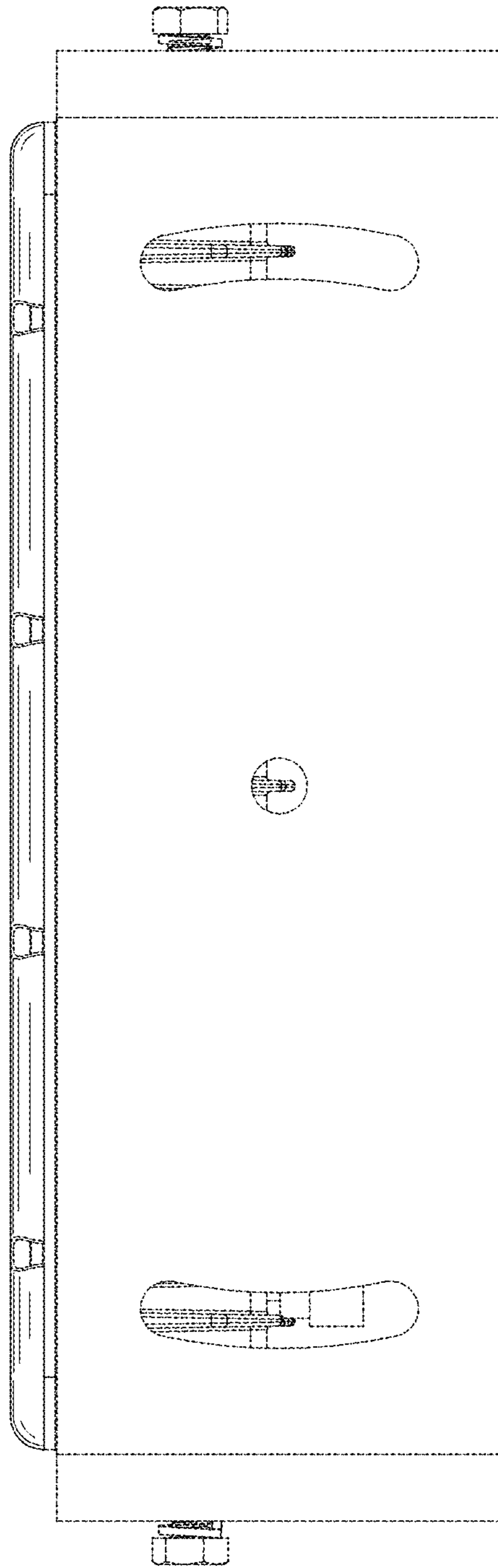


FIG. 8

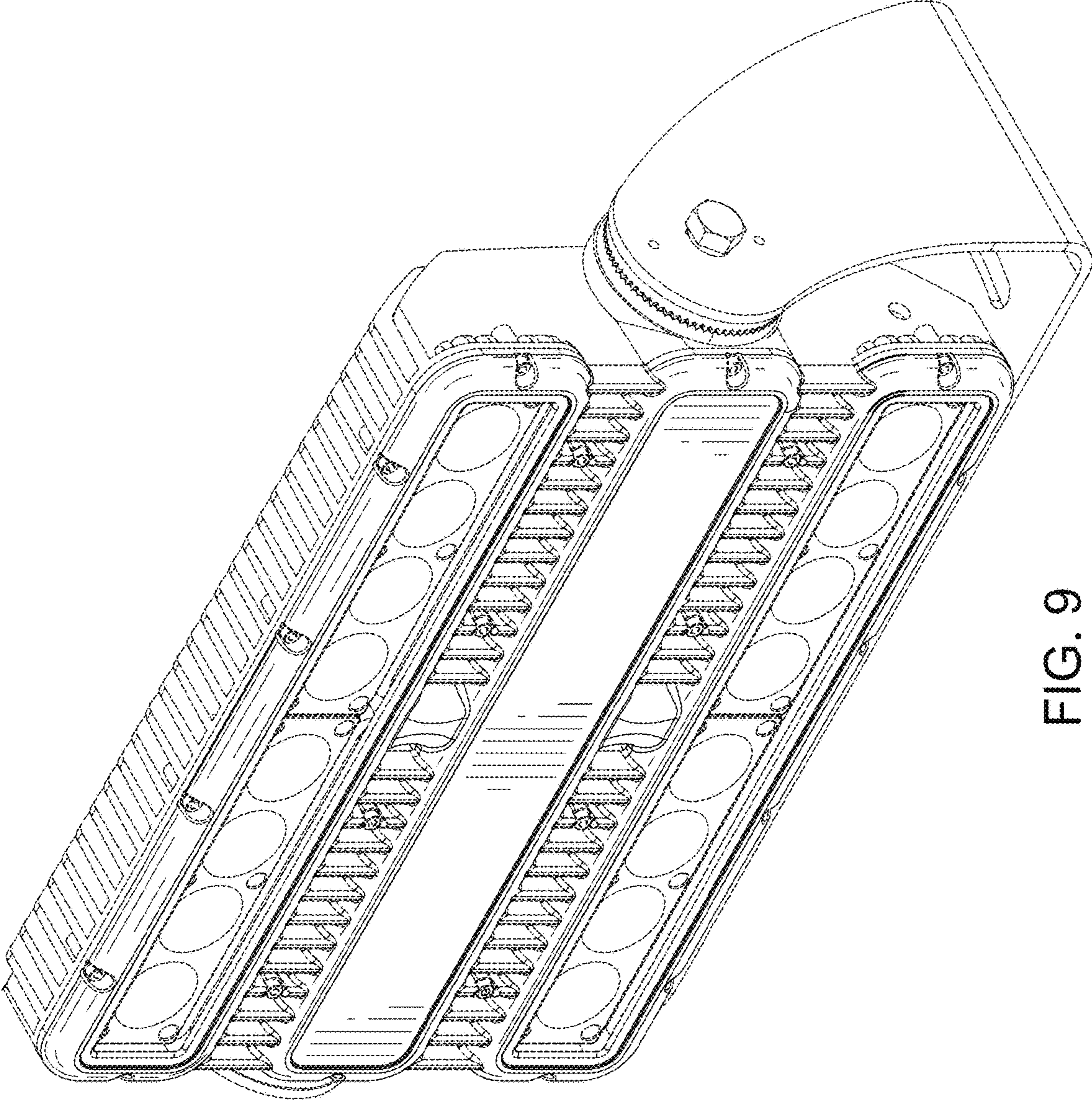


FIG. 9

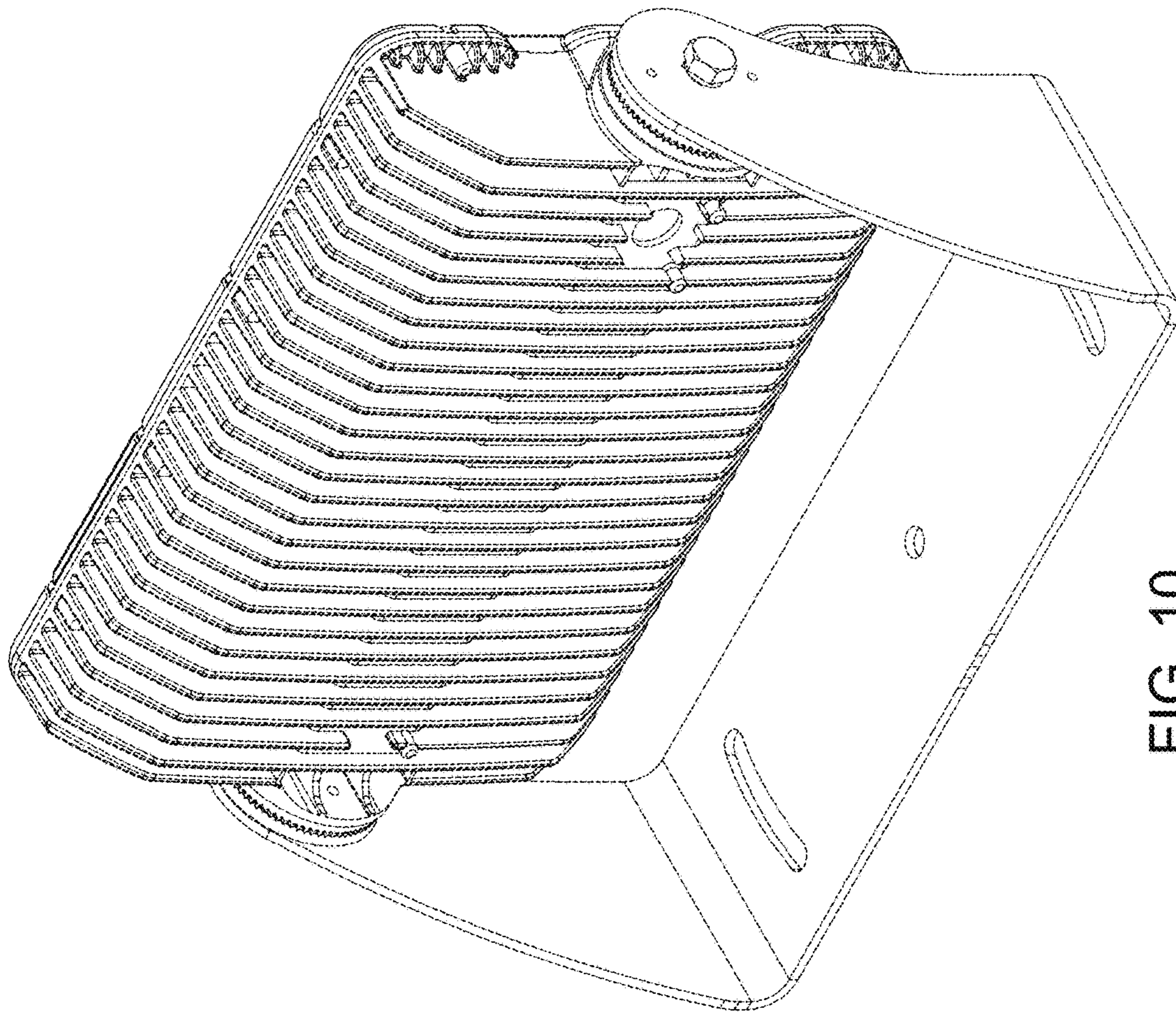


FIG. 10

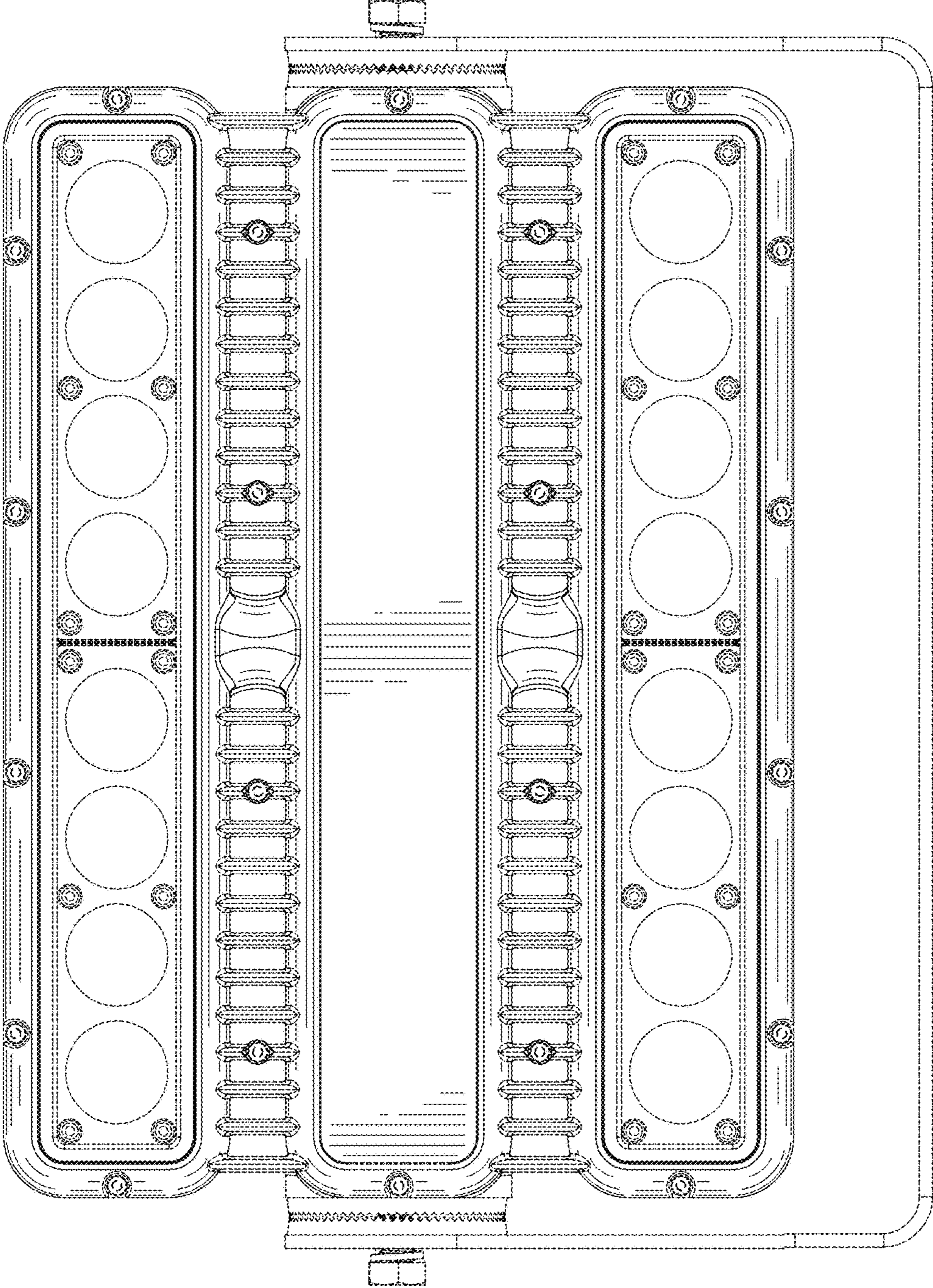


FIG. 11

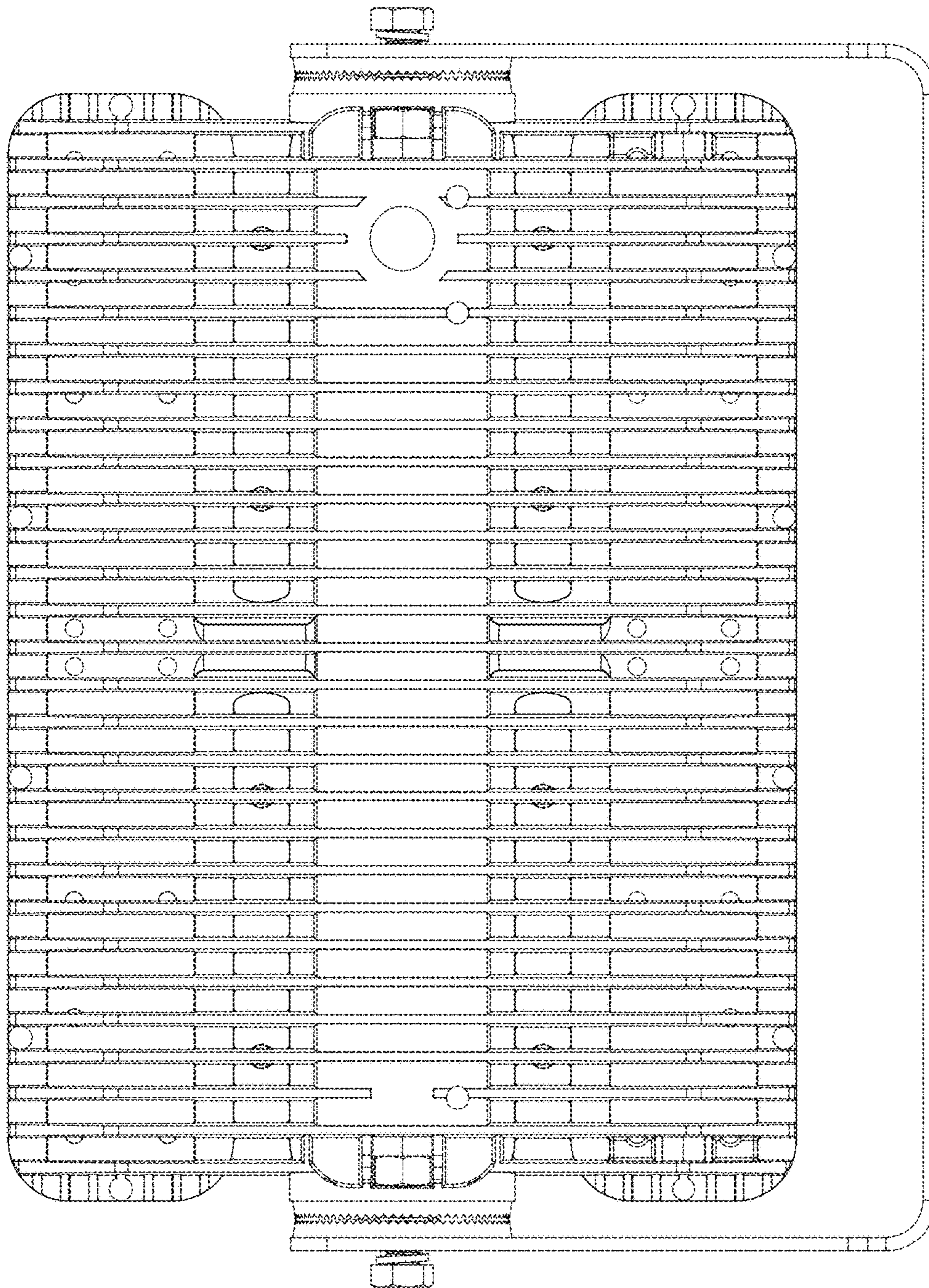


FIG. 12

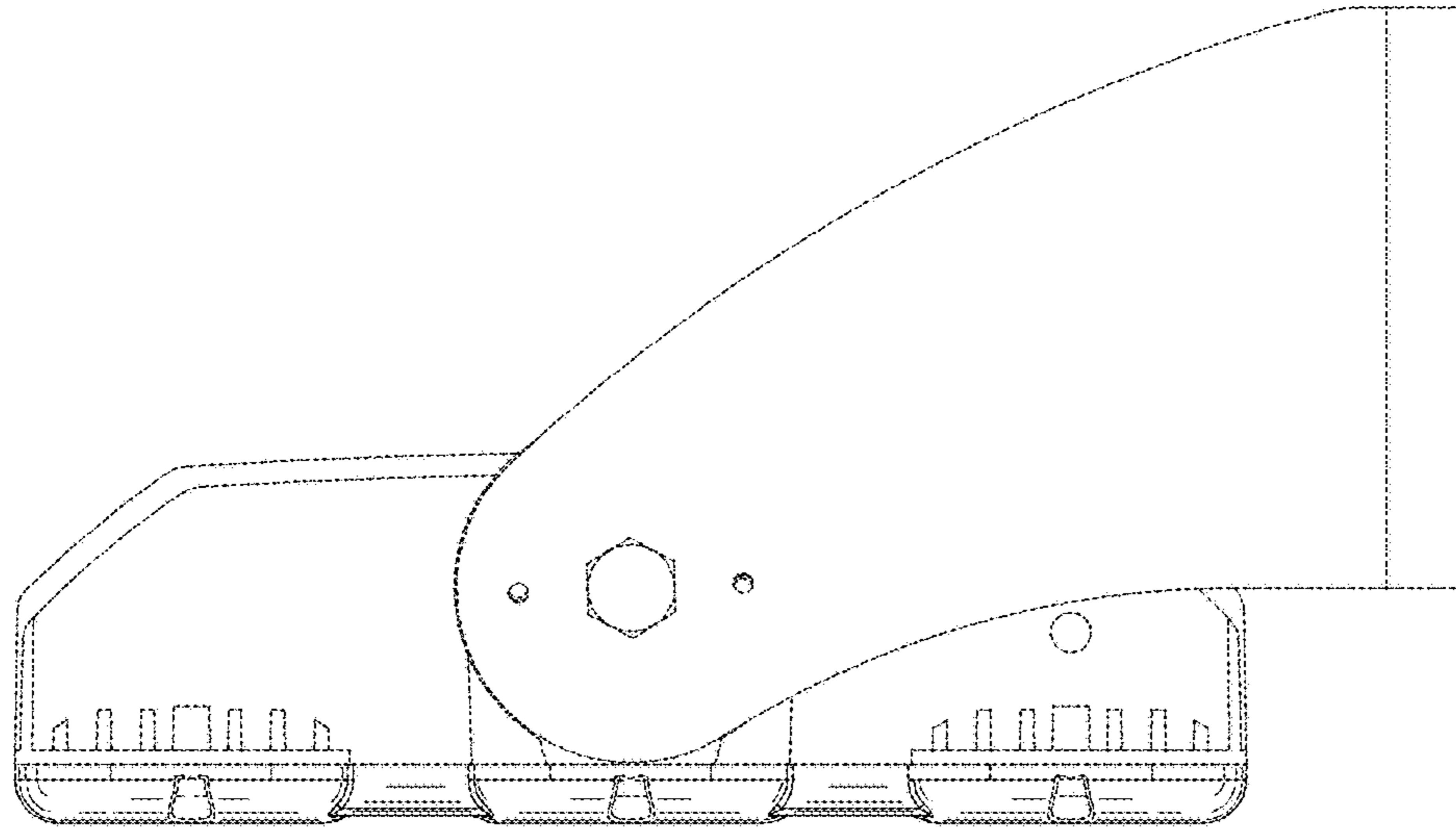


FIG. 14

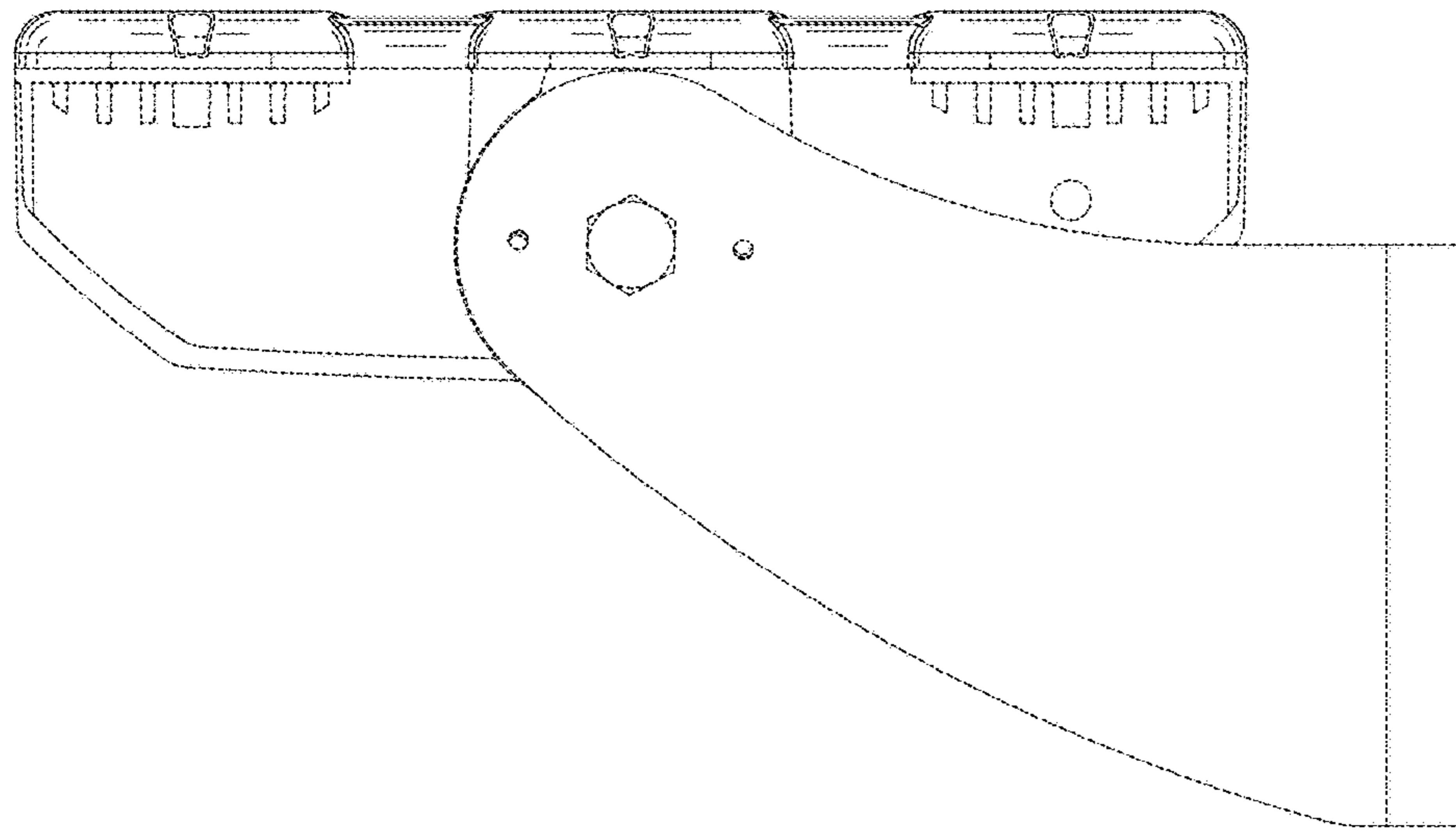


FIG. 13

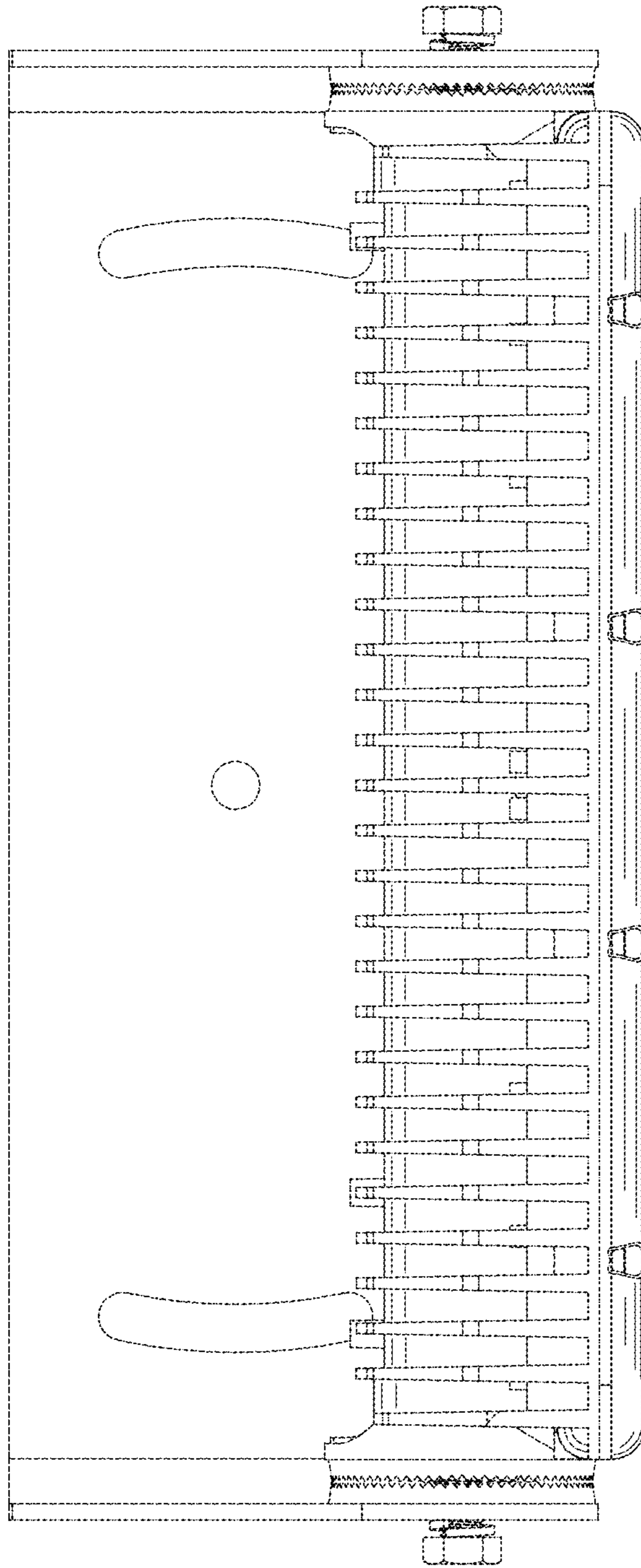


FIG. 15

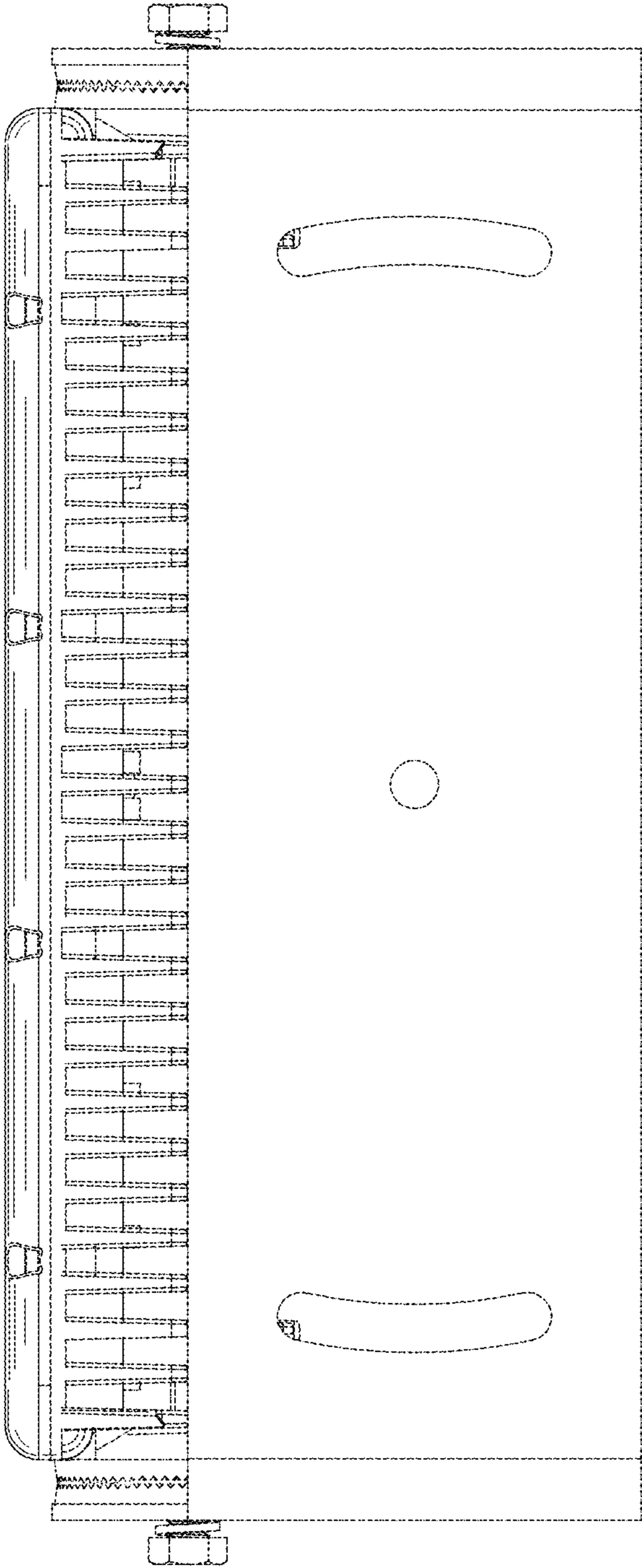


FIG. 16

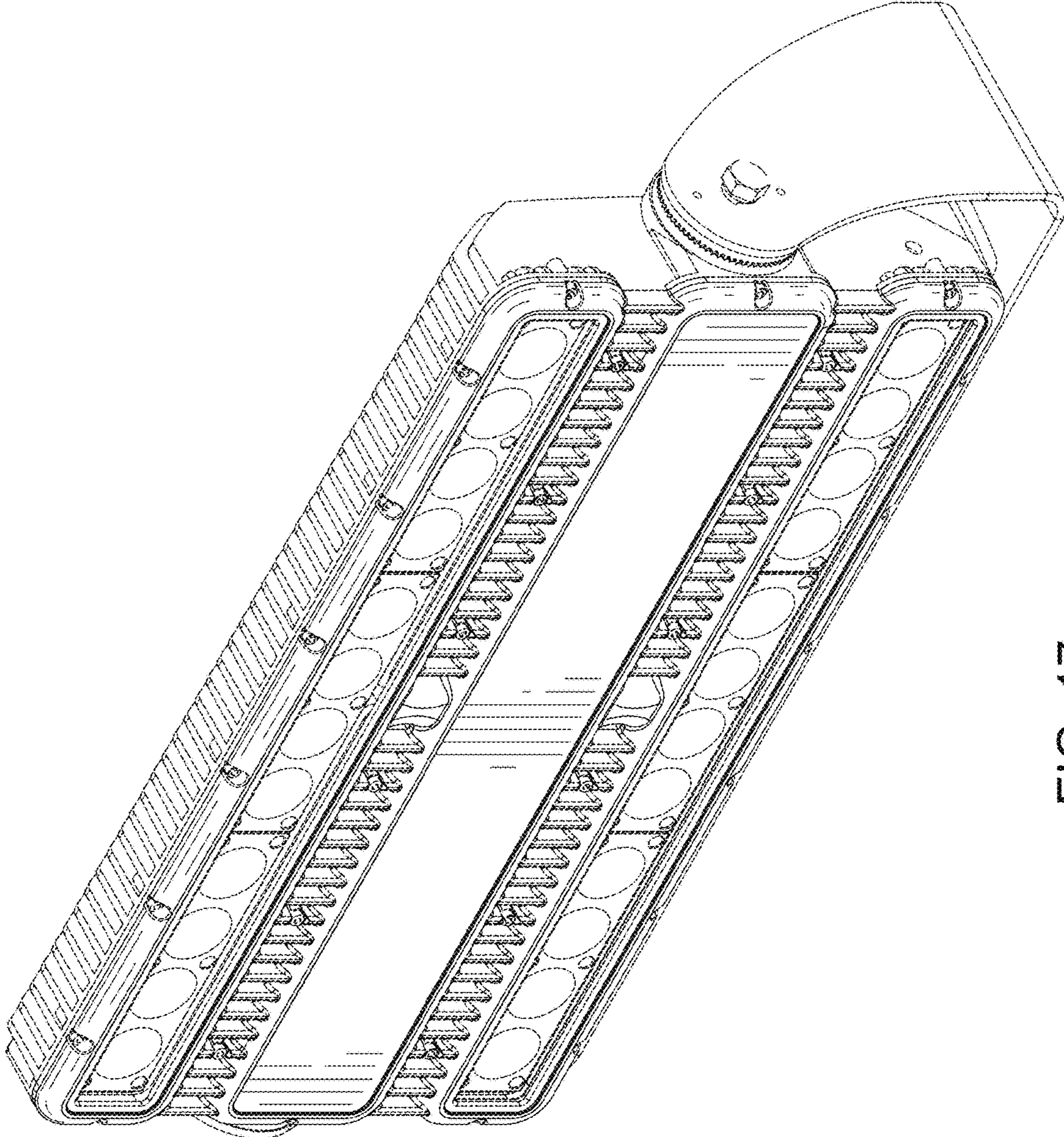


FIG. 17

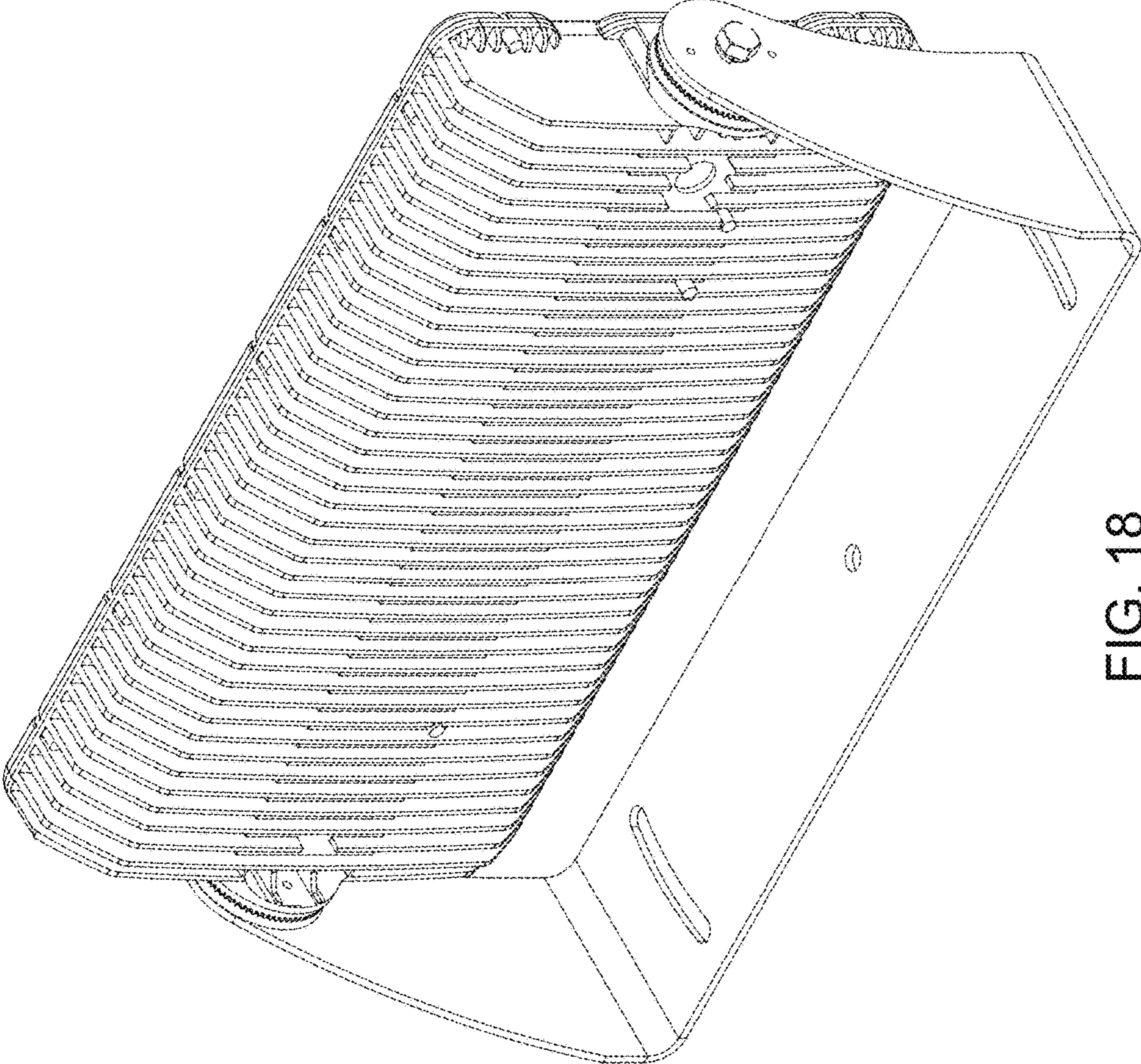


FIG. 18

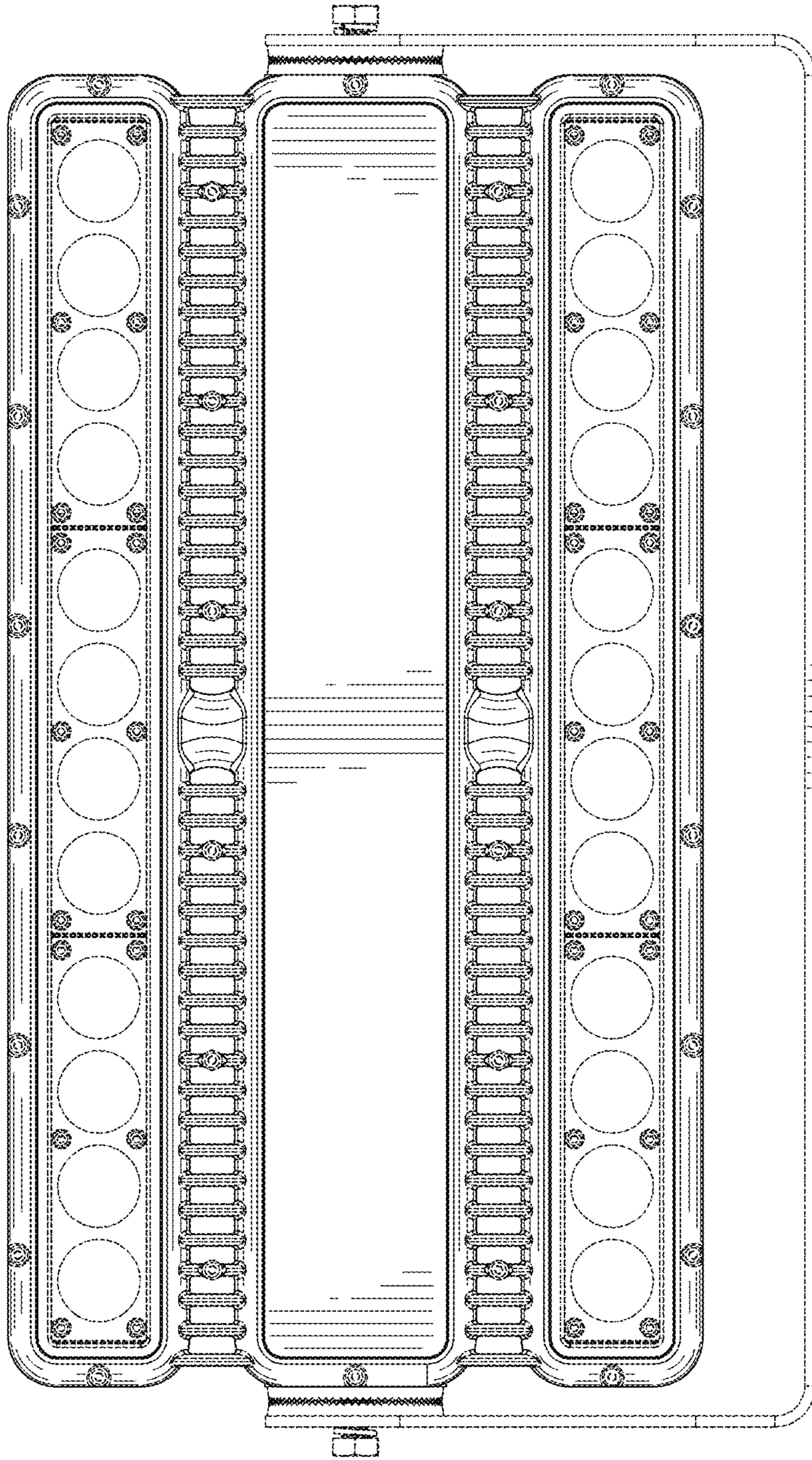


FIG. 19

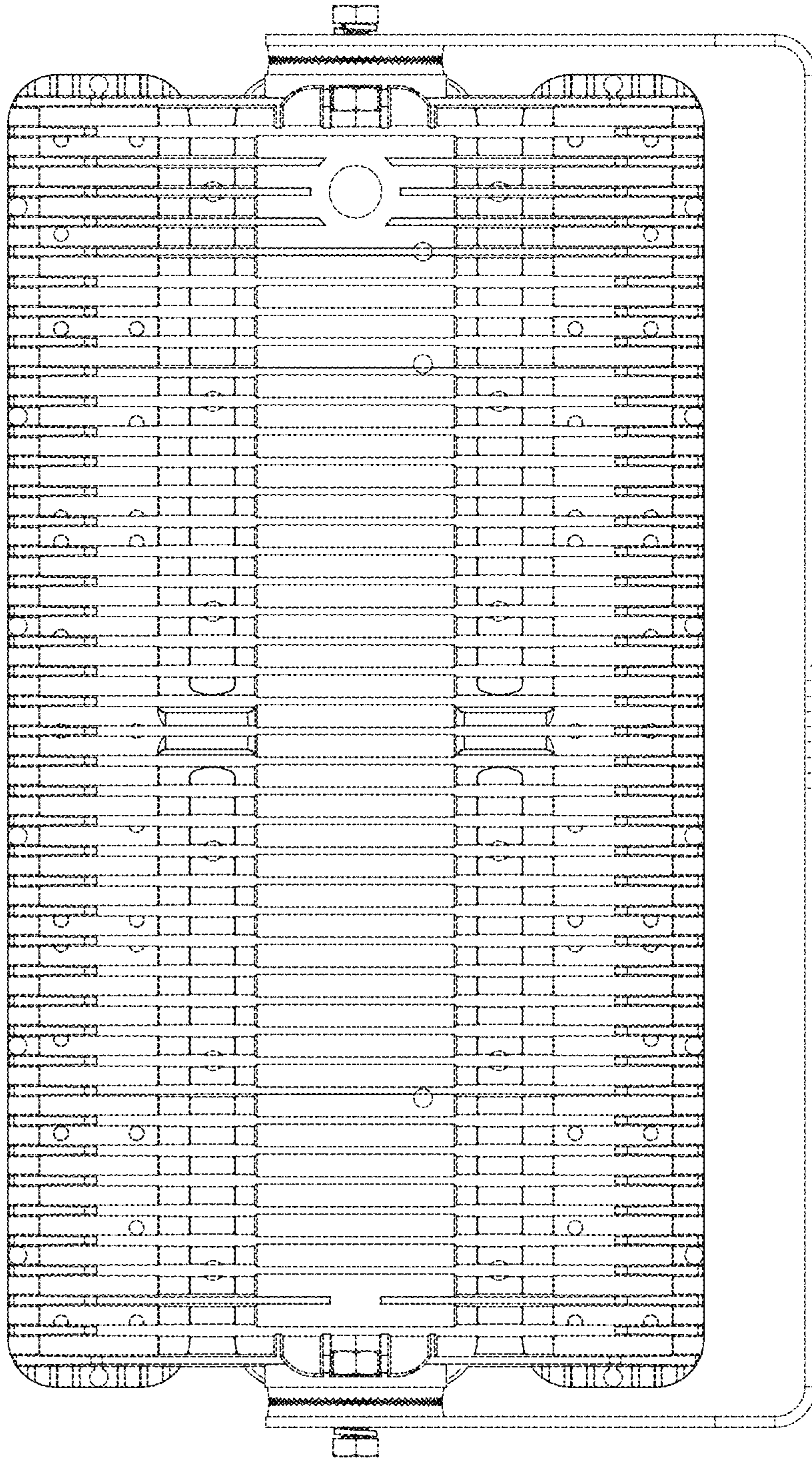


FIG. 20

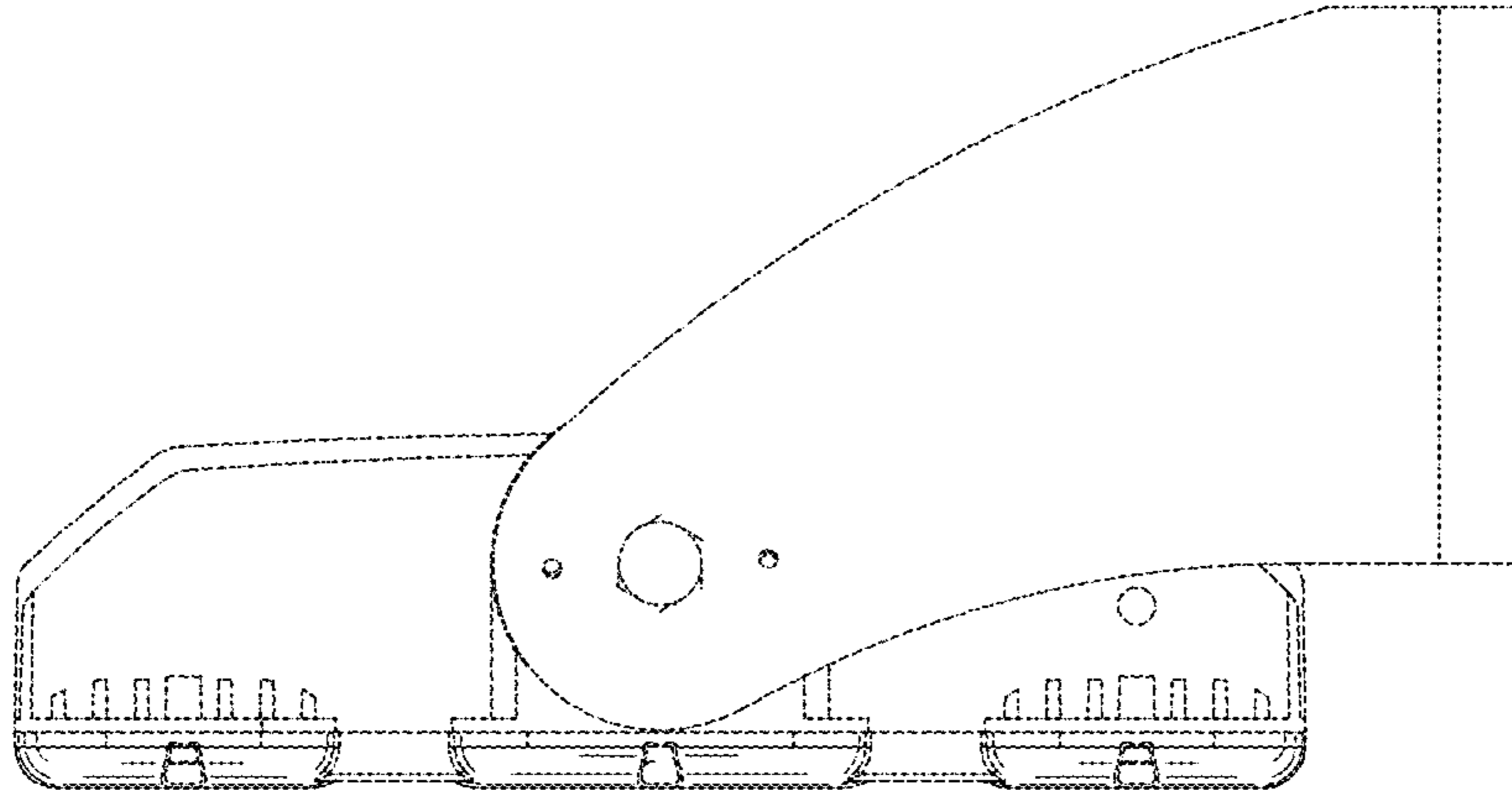


FIG. 21

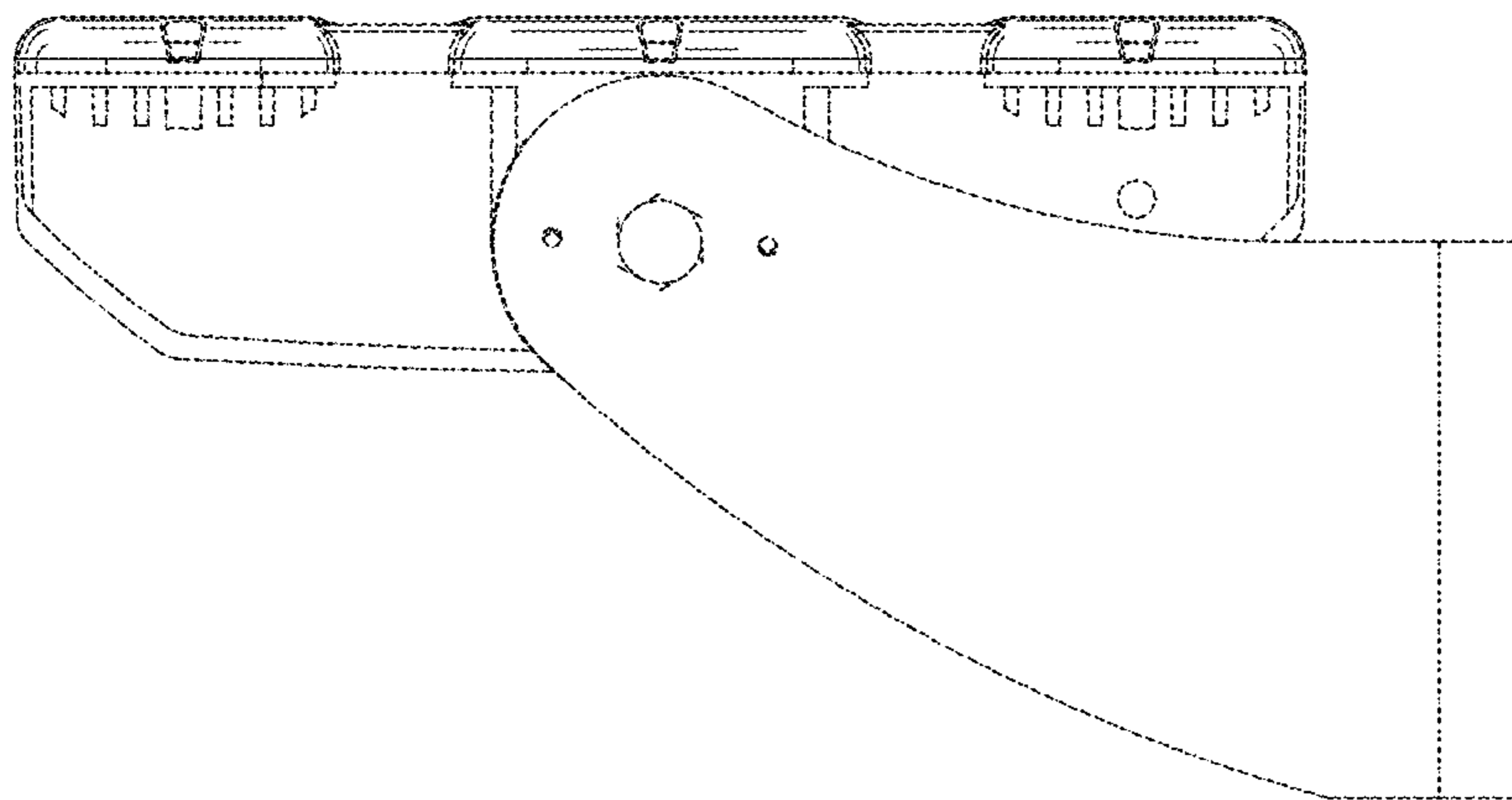


FIG. 22

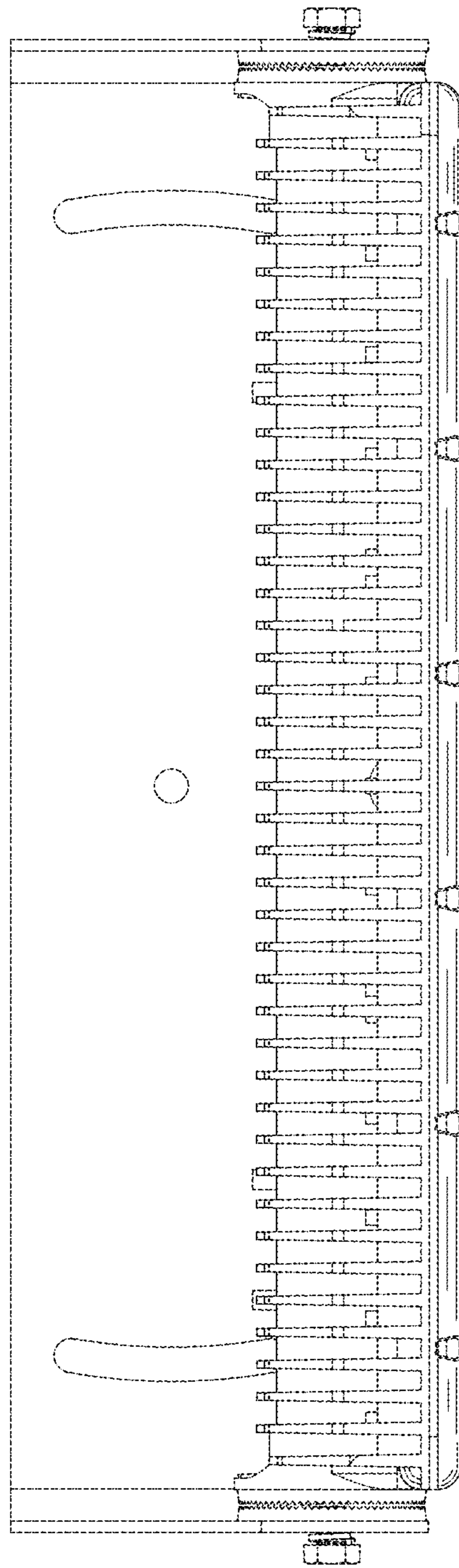


FIG. 23

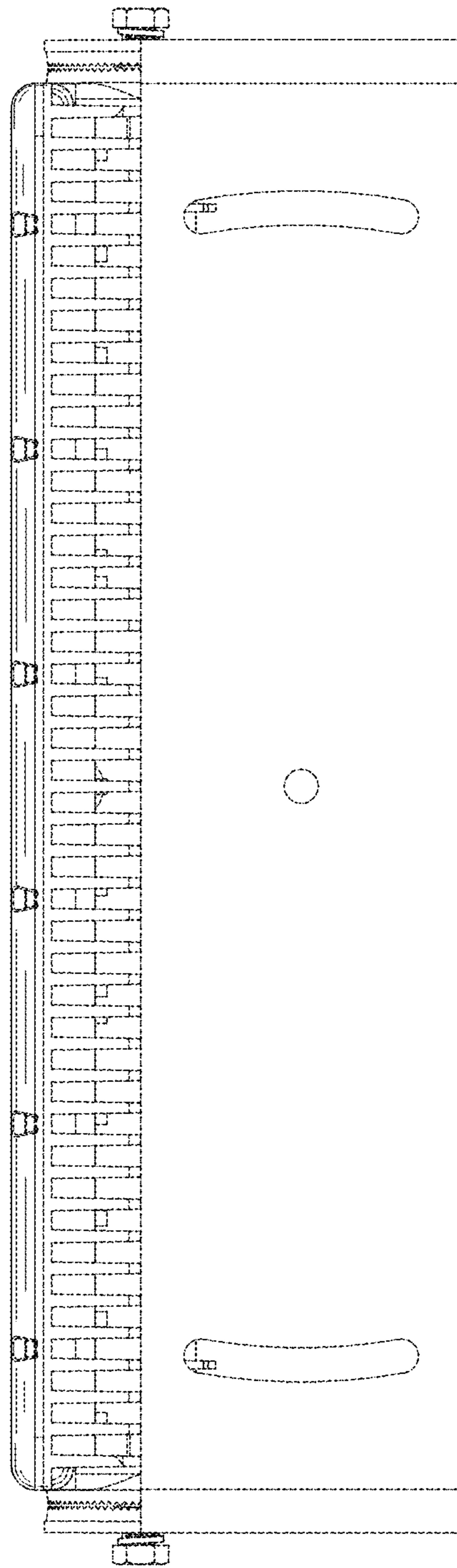


FIG. 24