



US00D805240S

(12) **United States Design Patent** (10) **Patent No.:** **US D805,240 S**
Akiyama (45) **Date of Patent:** **** Dec. 12, 2017**

(54) **DRIVER HOUSING**
(71) Applicant: **KENALL MANUFACTURING COMPANY**, Kenosha, WI (US)
(72) Inventor: **Steven Akiyama**, New Lenox, IL (US)
(73) Assignee: **KENALL MANUFACTURING COMPANY**, Kenosha, WI (US)

D311,497 S 10/1990 Vincent, Sr.
5,023,396 A 6/1991 Bartee et al.
5,301,090 A 4/1994 Hed
D363,884 S 11/1995 Reede
D372,968 S * 8/1996 White D23/386
5,738,436 A 4/1998 Cummings et al.
5,792,214 A 8/1998 Larsson et al.
5,806,972 A 9/1998 Kaiser et al.
D412,564 S * 8/1999 Pustelnik D23/330
(Continued)

(**) Term: **15 Years**
(21) Appl. No.: **29/538,281**
(22) Filed: **Sep. 2, 2015**

Related U.S. Application Data

(62) Division of application No. 29/475,909, filed on Dec. 9, 2013, now Pat. No. Des. 742,581.
(51) **LOC (10) Cl.** **26-99**
(52) **U.S. Cl.**
USPC **D26/113**
(58) **Field of Classification Search**
USPC ... D26/9, 10, 12, 13, 15, 16, 24, 51, 61, 72, D26/76, 80, 81, 85, 86, 88, 90, 113, 118, D26/119, 120, 122, 128, 129, 138, 143, D26/144; D13/180; D10/18, 21, 24, 25, D10/27, 28, 46, 93, 104.1
CPC B60Q 1/04; B60Q 1/26; F21S 8/026; F21S 8/04; F21V 29/004; F21V 21/02; F21V 21/04; F21V 29/2212; F21Y 2101/02
See application file for complete search history.

(56) **References Cited**

U.S. PATENT DOCUMENTS

2,579,662 A * 12/1951 Gibson E04D 13/174
454/365
3,793,930 A * 2/1974 Constantinescu F24F 7/02
454/357
4,762,160 A * 8/1988 Bechtold E04D 13/033
160/265

OTHER PUBLICATIONS

ARSTC Flat Top-Mount Rack Shelf, image post date Dec. 25, 2010, site visited Apr. 3, 2015, (online), <http://web.archive.org/web/20101225130211/http://www.bhphotovideo.com/c/product/528661-REG/Odyssey_Innovative_Designs_ARSTC_ARSTC_Flat_Top_Mount_Rack.html>.*

(Continued)

Primary Examiner — Kevin Rudzinski
Assistant Examiner — Sean D Lough
(74) *Attorney, Agent, or Firm* — Marshall, Gerstein & Borun LLP

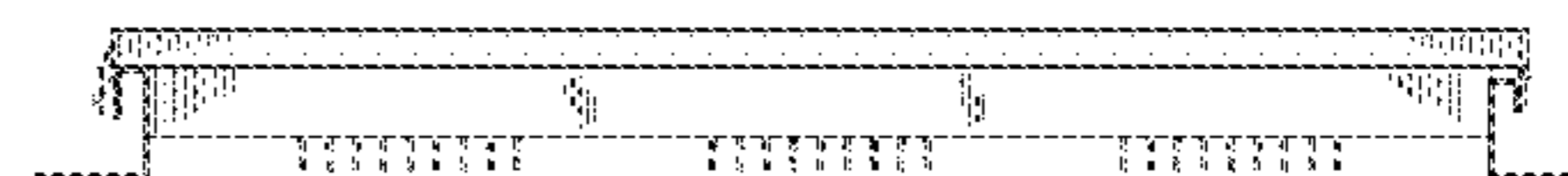
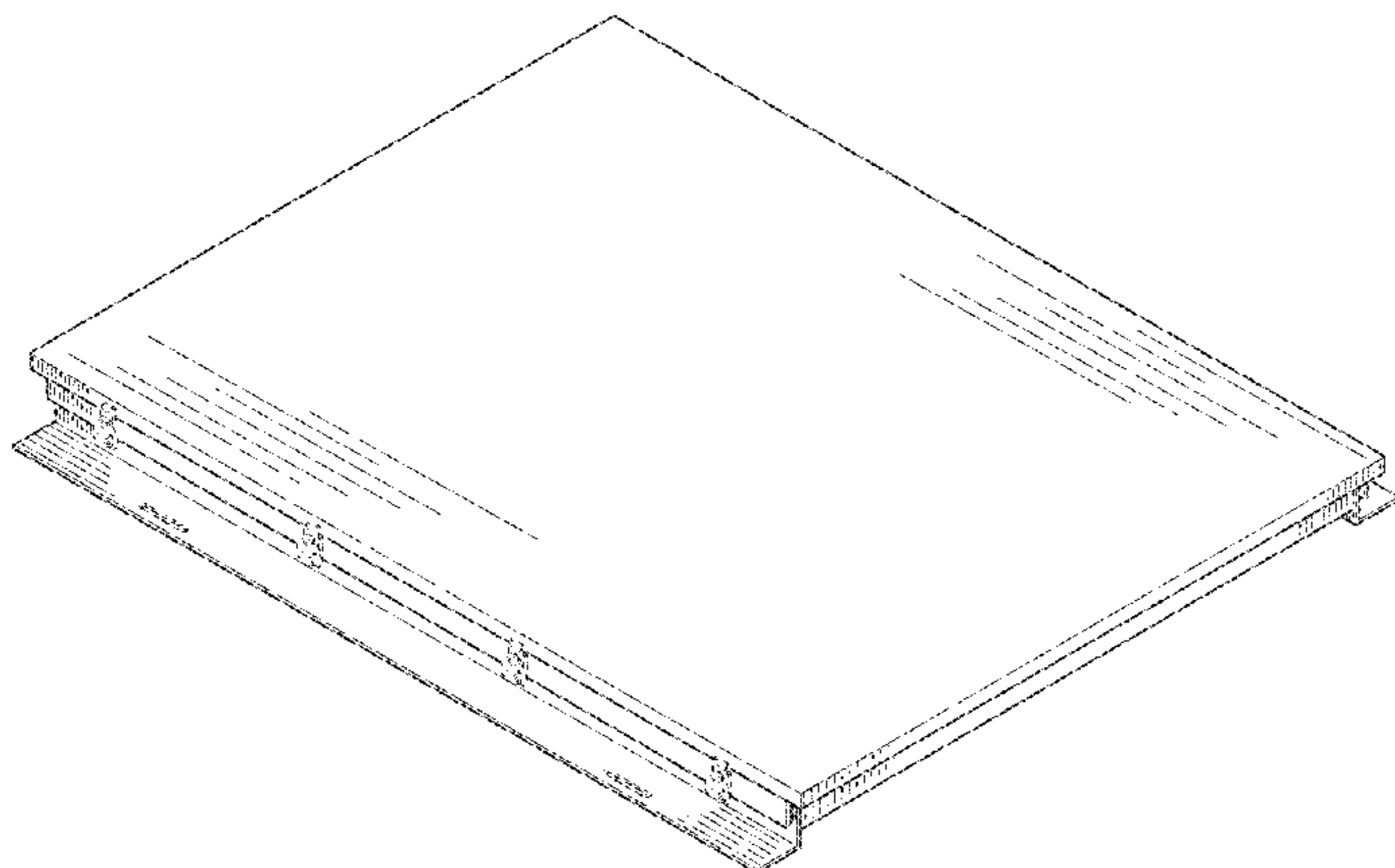
(57) **CLAIM**

The ornamental design for a driver housing, as shown and described.

DESCRIPTION

FIG. 1 is a perspective view showing a new design for a driver housing;
FIG. 2 is a front view of the driver housing of FIG. 1;
FIG. 3 is a rear view of the driver housing of FIG. 1;
FIG. 4 is a left-side view of the driver housing of FIG. 1;
FIG. 5 is a right-side view of the driver housing of FIG. 1;
FIG. 6 is a top view of the driver housing of FIG. 1; and,
FIG. 7 is a bottom view of the driver housing of FIG. 1.
The dashed lines showing portions of the driver housing are included for the purpose of illustrating environment and form no part of the claimed design.

1 Claim, 5 Drawing Sheets



(56)

References Cited

U.S. PATENT DOCUMENTS

6,039,582 A 3/2000 Geis et al.
 D427,533 S 7/2000 Cowan et al.
 6,197,444 B1 3/2001 Vackar
 6,201,885 B1 3/2001 Hodgson et al.
 6,232,553 B1 5/2001 Regen
 6,375,338 B1 4/2002 Cummings et al.
 D456,787 S 5/2002 Wasada et al.
 D465,463 S 11/2002 Wasada et al.
 6,493,224 B1 12/2002 Mottahed
 D482,662 S 11/2003 Foster et al.
 7,102,172 B2 9/2006 Lynch et al.
 D552,451 S * 10/2007 Yashar D8/349
 D599,485 S 9/2009 Burrows et al.
 D613,243 S * 4/2010 Burtt D13/102
 D618,327 S * 6/2010 Rupikowski D23/342
 D621,016 S * 8/2010 Garcia D23/330
 D627,824 S 11/2010 Nakayama et al.
 D631,431 S * 1/2011 DeFelice D13/102
 7,918,591 B2 4/2011 Lynch
 D638,367 S 5/2011 Isaacks et al.
 D654,211 S 2/2012 Melzner et al.
 D664,699 S * 7/2012 Nakahira D26/74
 D671,251 S 11/2012 Piepgras et al.
 D679,036 S 3/2013 Inoue
 D697,022 S * 1/2014 Truthseeker D13/102
 D703,305 S * 4/2014 Stollenwerk O'Hagin . D23/373
 D715,800 S 10/2014 Cornelison
 9,134,014 B2 * 9/2015 Lyu F21V 21/04
 D745,000 S * 12/2015 Lim D14/341
 9,249,571 B1 * 2/2016 White E04C 2/292
 D754,658 S * 4/2016 Sumii D14/363
 D760,230 S * 6/2016 Iizuka D13/184
 D760,990 S * 7/2016 Baker D34/38
 9,414,456 B2 * 8/2016 Wong F21S 4/28
 D769,810 S * 10/2016 Lin D13/103
 D772,172 S * 11/2016 Takano D13/147
 D773,409 S * 12/2016 Rodarte D13/179
 D773,413 S * 12/2016 Yoneyama D13/182
 D774,451 S * 12/2016 Castillo-Aguilella D13/102
 D774,874 S * 12/2016 Wentzel D8/349
 D775,093 S * 12/2016 Vinciarelli D13/182
 D777,124 S * 1/2017 Hasegawa D13/182
 9,544,973 B2 * 1/2017 Dahlen H05B 37/00
 D778,833 S * 2/2017 Li D13/110
 D778,852 S * 2/2017 Matsumoto D13/182
 D780,359 S * 2/2017 Chen D26/63
 D780,362 S * 2/2017 Akiyama D26/74
 D782,106 S * 3/2017 Porciatti D26/138
 D785,616 S * 5/2017 Zimmermann D14/313

D786,859 S * 5/2017 Kim D14/341
 2004/0082209 A1 4/2004 Zenaboni
 2004/0105264 A1 6/2004 Spero
 2007/0076459 A1 4/2007 Limpkin
 2009/0073692 A1 3/2009 Berger et al.
 2009/0290343 A1 11/2009 Brown et al.
 2010/0085748 A1 4/2010 Kelly et al.
 2010/0110684 A1 5/2010 Abdelsamed et al.
 2010/0142202 A1 6/2010 Sugishita et al.
 2010/0280677 A1 11/2010 Budike, Jr.
 2011/0164411 A1 7/2011 Sparing et al.
 2011/0273877 A1 11/2011 Reed et al.
 2012/0159821 A1 6/2012 Miletich et al.
 2012/0176795 A1 7/2012 Lynch
 2012/0217882 A1 8/2012 Wong et al.
 2012/0249016 A1 10/2012 Smith
 2012/0293086 A1 11/2012 Ishikita et al.
 2012/0294000 A1 11/2012 Thomas et al.
 2013/0003373 A1 1/2013 Hamby et al.
 2013/0027935 A1 1/2013 Ladewig et al.
 2013/0049627 A1 2/2013 Roberts et al.
 2013/0058108 A1 3/2013 Blincoe et al.
 2013/0062724 A1 3/2013 Tokuyama et al.
 2013/0063935 A1 3/2013 Thrailkill
 2013/0077311 A1 3/2013 Kinnune et al.
 2013/0208471 A1 8/2013 Lueken et al.
 2014/0198430 A1 7/2014 Veenker
 2014/0294215 A1 10/2014 Caldes
 2014/0340882 A1 11/2014 Woods et al.
 2015/0159852 A1 * 6/2015 Dahlen F21V 29/503
 362/249.02
 2016/0319823 A1 * 11/2016 Liessmann F04C 23/008
 2016/0327257 A1 * 11/2016 Li F21V 23/023
 2016/0341220 A1 * 11/2016 Kondou F04D 29/164
 2017/0030361 A1 * 2/2017 Niemiec F04D 25/088
 2017/0074473 A1 * 3/2017 Ogg F21S 8/026
 2017/0097147 A1 * 4/2017 Myers F21V 23/02
 2017/0099426 A1 * 4/2017 Okunami H04N 5/23212
 2017/0117687 A1 * 4/2017 Smith H02B 1/56
 2017/0138573 A1 * 5/2017 Spiel F21V 15/01

OTHER PUBLICATIONS

Rackmount Sliding Shelf, image post date Apr. 12, 2013, site visited Apr. 3, 2015, (online), <<http://web.archive.org/web/20130412173615/http://www.engineersupply.com/Kendall-Howard-Rackmount-Sliding-Shelf.aspx>>.*
 Waterproof led driver housings, image post date 1999, site visited May 27, 2017, (online), <<https://www.alibaba.com/showroom/waterproof-led-driver-housing.html>>.*

* cited by examiner

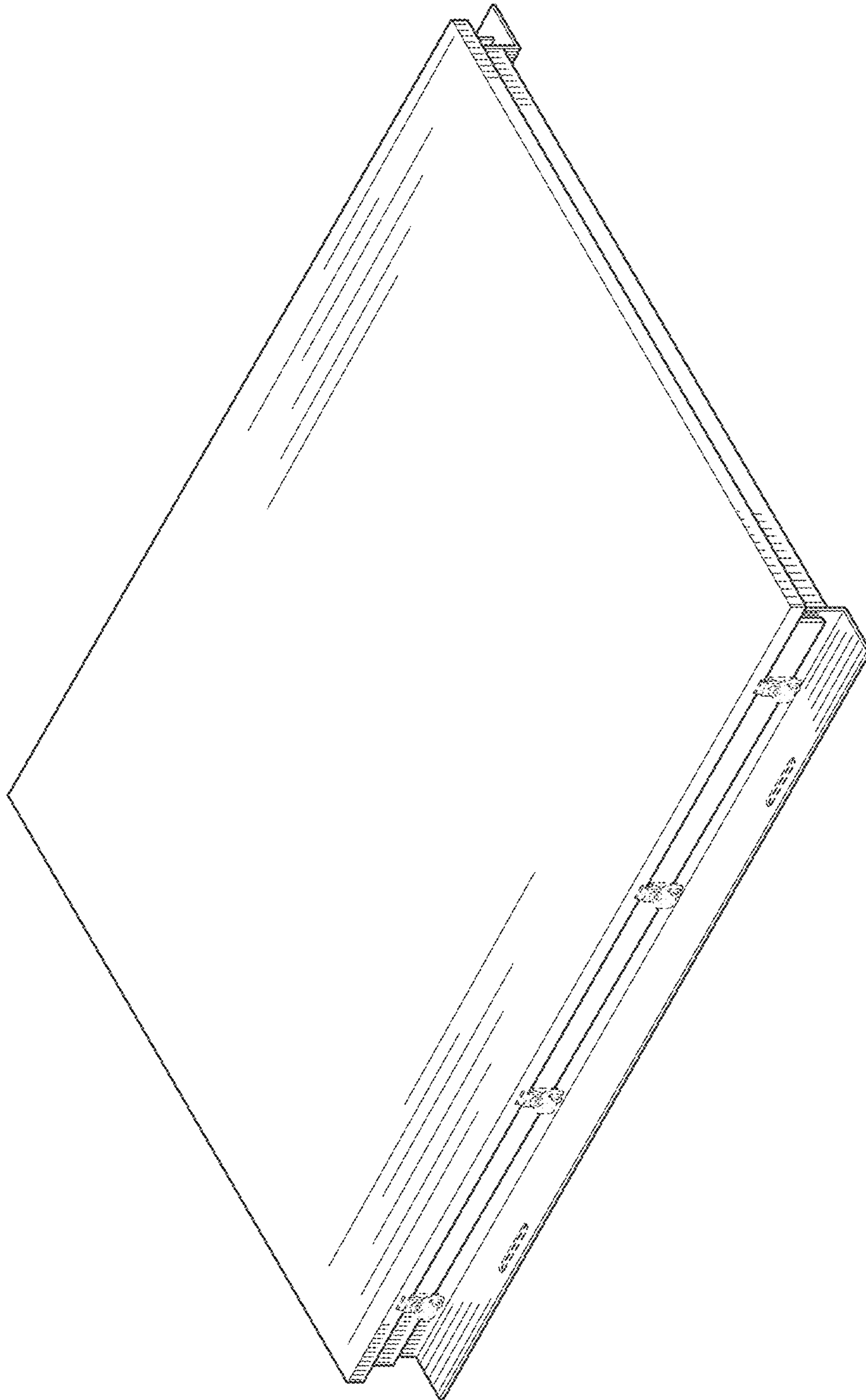


FIG. 1

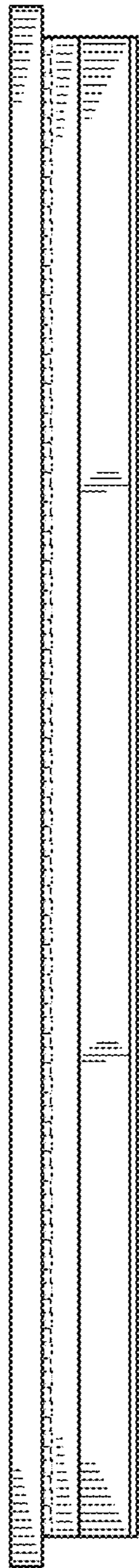


FIG. 2

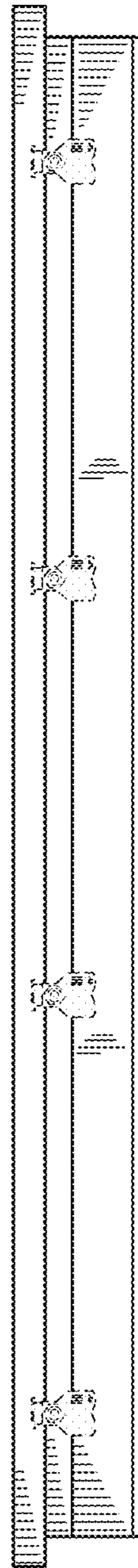


FIG. 3

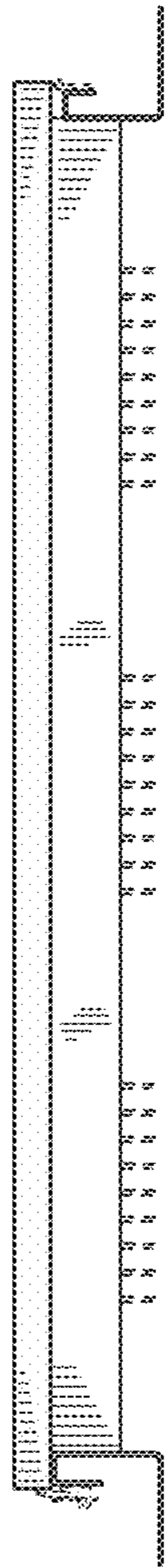


FIG. 4

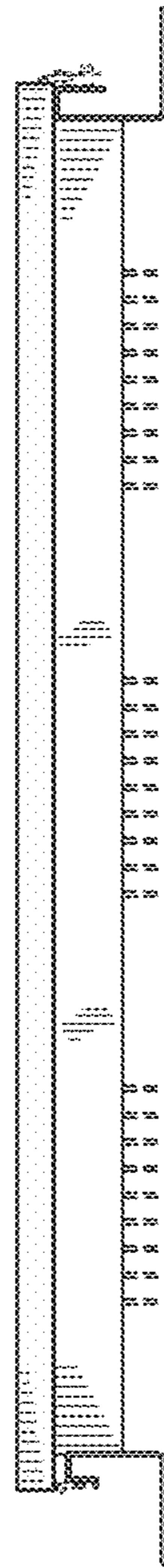


FIG. 5

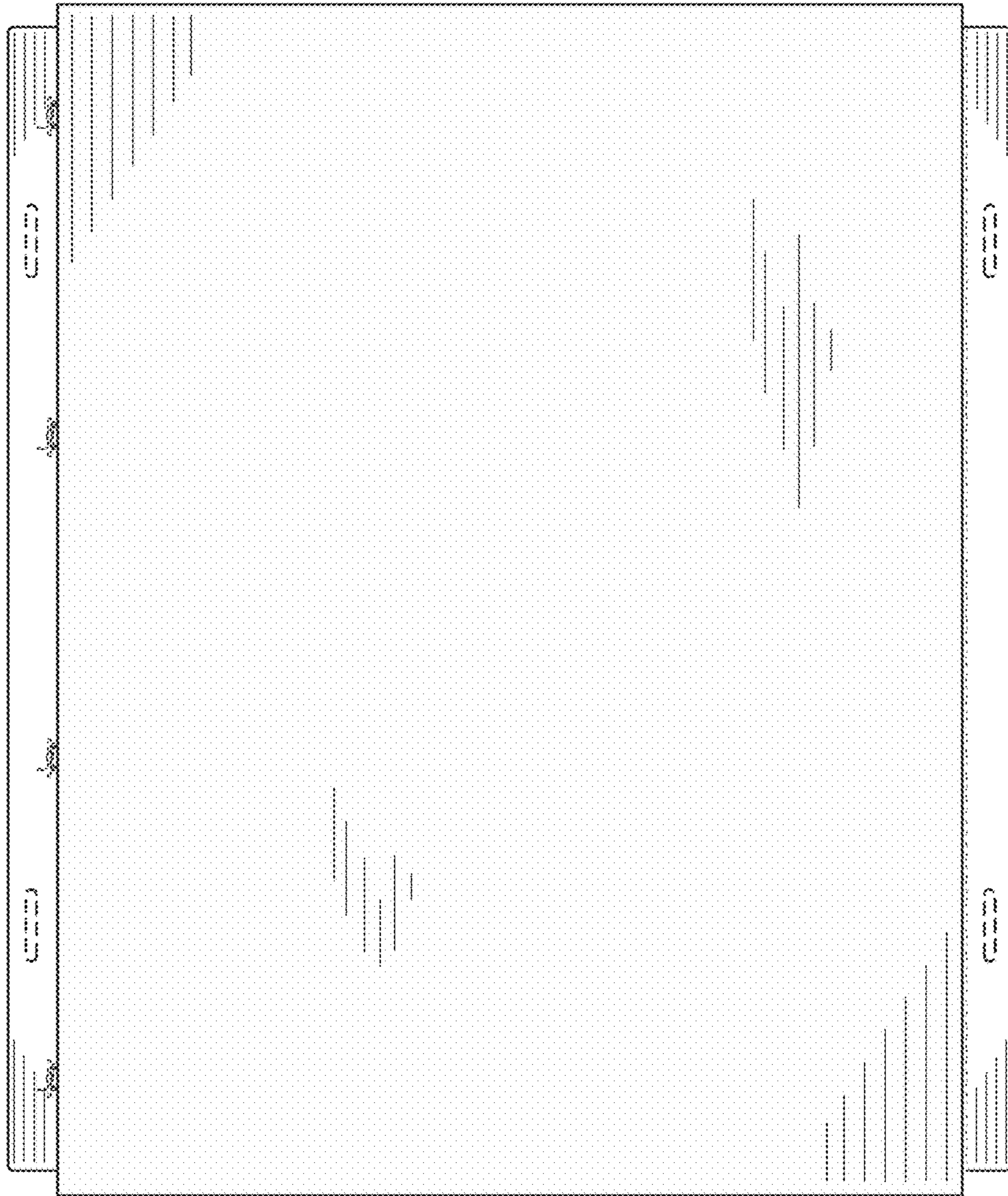


FIG. 6

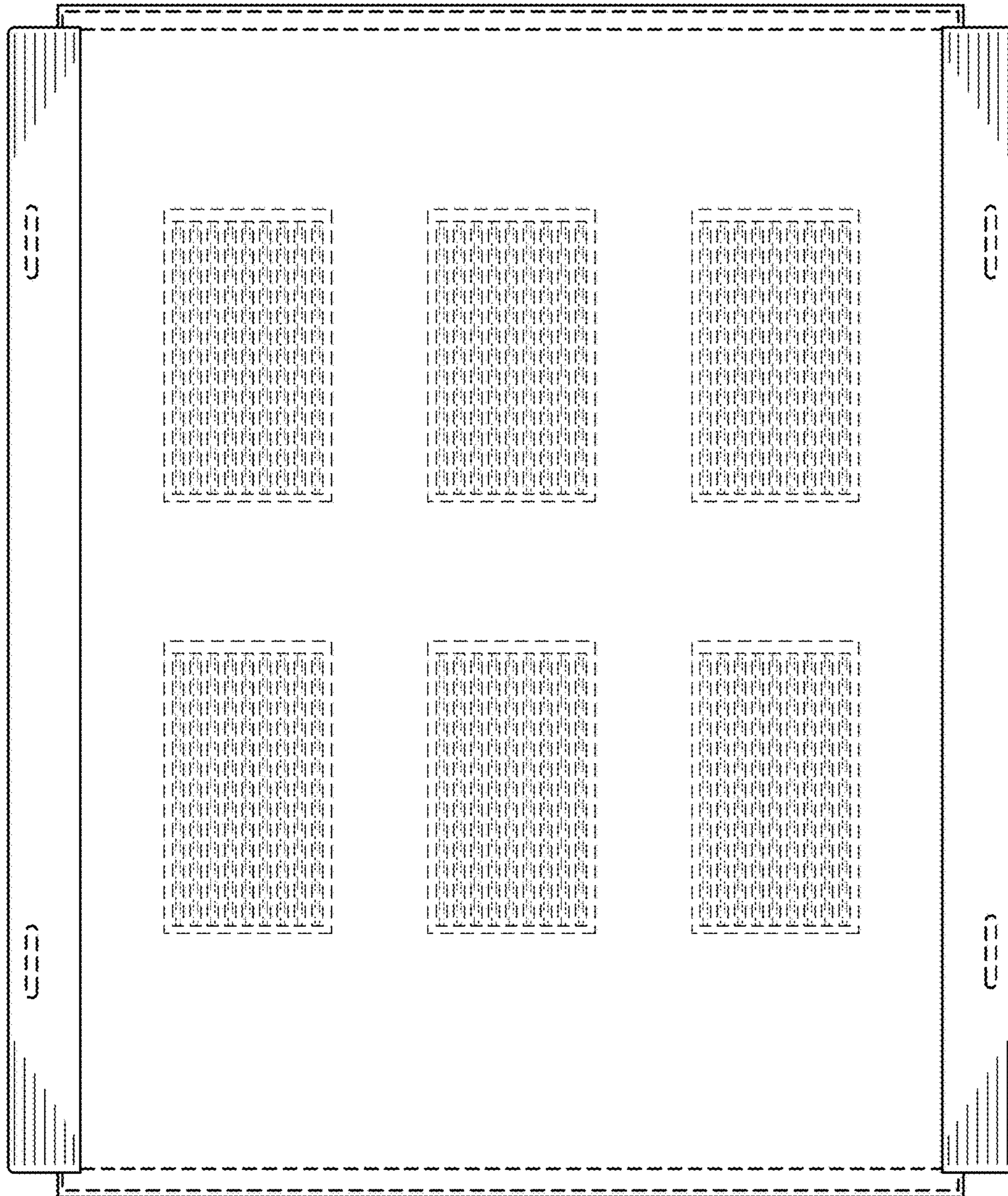


FIG. 7