



US00D805239S

(12) **United States Design Patent**
Arndt et al.

(10) **Patent No.:** **US D805,239 S**
(45) **Date of Patent:** **** Dec. 12, 2017**

(54) **LUMINAIRE**

(71) Applicant: **Oldenburg Group Incorporated,**
Milwaukee, WI (US)

(72) Inventors: **Michael A. Arndt,** Franklin, WI (US);
Alexander J. Murray, Milwaukee, WI (US)

(73) Assignee: **Oldenburg Group Incorporated,**
Milwaukee, WI (US)

(**) Term: **15 Years**

(21) Appl. No.: **29/591,067**

(22) Filed: **Jan. 16, 2017**

Related U.S. Application Data

(62) Division of application No. 29/562,661, filed on Apr. 27, 2016, now Pat. No. Des. 791,386.

(51) **LOC (10) Cl.** **26-03**

(52) **U.S. Cl.**
USPC **D26/88; D26/91**

(58) **Field of Classification Search**
USPC D26/72, 80, 81, 84, 85, 86, 88, 90, 91,
D26/118, 138, 142
CPC F21S 8/043; F21S 8/046; F21S 8/06; F21S
8/061; F21S 8/063; F21S 8/065; F21S
8/066; F21S 8/068; F21V 21/008; F21V
21/02; F21V 21/03; F21V 21/112; F21V
21/38

See application file for complete search history.

(56) **References Cited**

U.S. PATENT DOCUMENTS

D293,723 S 1/1988 Buttner
D468,475 S * 1/2003 De Lucchi D26/90

D563,589 S * 3/2008 Hariri D26/84
D599,948 S * 9/2009 Armbruster D26/90
D613,449 S 4/2010 Ngai et al.
D623,795 S 9/2010 Ngai et al.
D633,639 S 3/2011 Vincent
D643,566 S 8/2011 Hickok et al.
D645,196 S 9/2011 Hickok
D646,426 S * 10/2011 Wolk D26/85
D661,421 S 6/2012 Hor et al.

(Continued)

Primary Examiner — Clare E Heflin

(74) *Attorney, Agent, or Firm* — Michael Best & Friedrich LLP

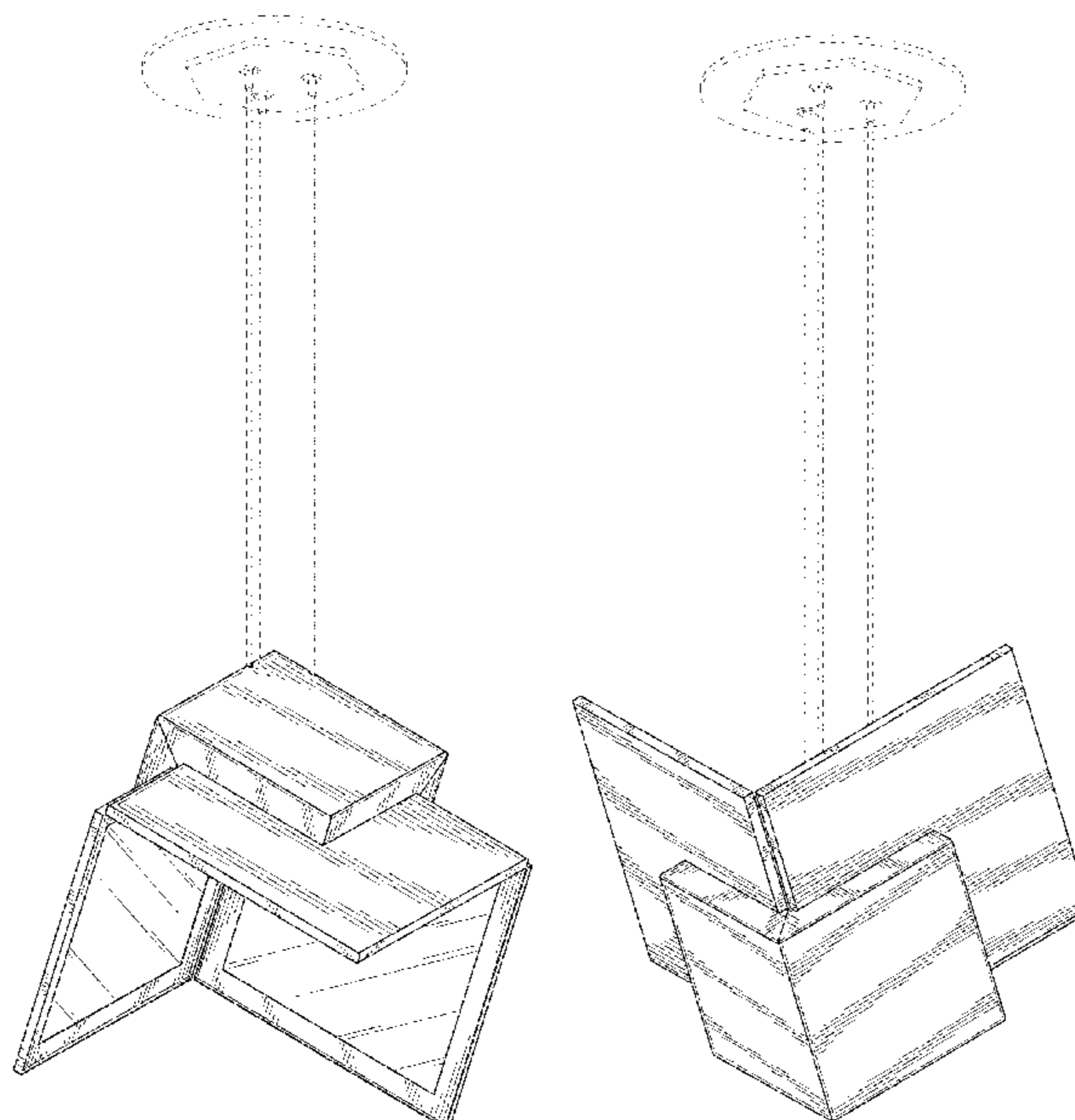
(57) **CLAIM**

We claim the ornamental design for a luminaire, as shown and described.

DESCRIPTION

FIG. 1 is a perspective view of a luminaire.
FIG. 2 is a front view of the luminaire shown in FIG. 1.
FIG. 3 is a rear view of the luminaire shown in FIG. 1.
FIG. 4 is a right side view of the luminaire shown in FIG. 1.
FIG. 5 is a left side view of the luminaire shown in FIG. 1.
FIG. 6 is a top view of the luminaire shown in FIG. 1.
FIG. 7 is a bottom view of the luminaire shown in FIG. 1.
FIG. 8 is a perspective view of a luminaire.
FIG. 9 is a front view of the luminaire shown in FIG. 8.
FIG. 10 is a rear view of the luminaire shown in FIG. 8.
FIG. 11 is a right side view of the luminaire shown in FIG. 8.
FIG. 12 is a left side view of the luminaire shown in FIG. 8.
FIG. 13 is a top view of the luminaire shown in FIG. 8; and,
FIG. 14 is a bottom view of the luminaire shown in FIG. 8.
The broken lines on the drawings depict portions of the luminaire that form no part of the claimed design.

1 Claim, 8 Drawing Sheets



(56)

References Cited

U.S. PATENT DOCUMENTS

8,419,206	B2	4/2013	Tran	
D701,991	S	4/2014	Blum et al.	
D732,227	S	6/2015	Blum et al.	
D759,292	S	6/2016	Zahn	
D791,386	S *	7/2017	Arndt	D26/88
2008/0180936	A1	7/2008	Ogashiwa	
2010/0110687	A1	5/2010	Zheng	
2012/0294016	A1	11/2012	Tran et al.	
2012/0300437	A1	11/2012	Lu et al.	
2014/0268766	A1	9/2014	Lu	

* cited by examiner

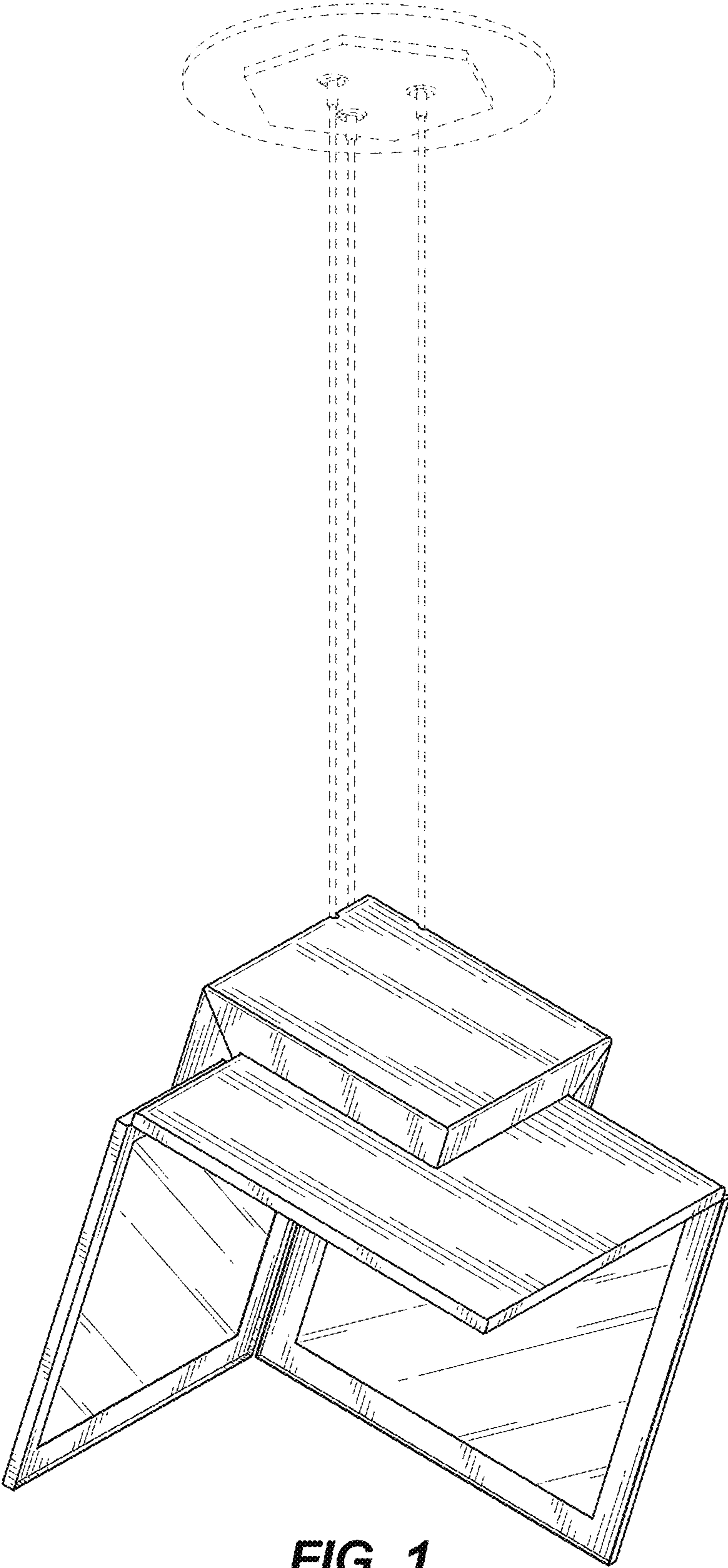


FIG. 1

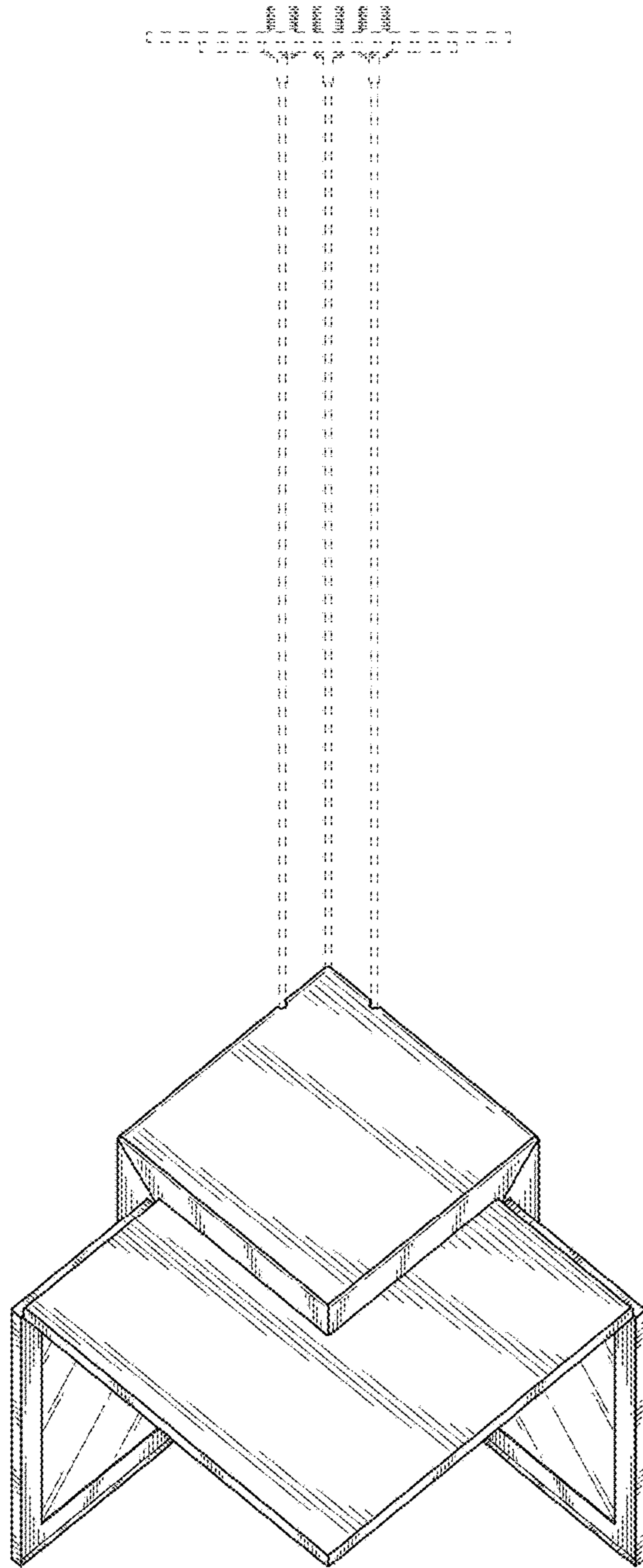


FIG. 2

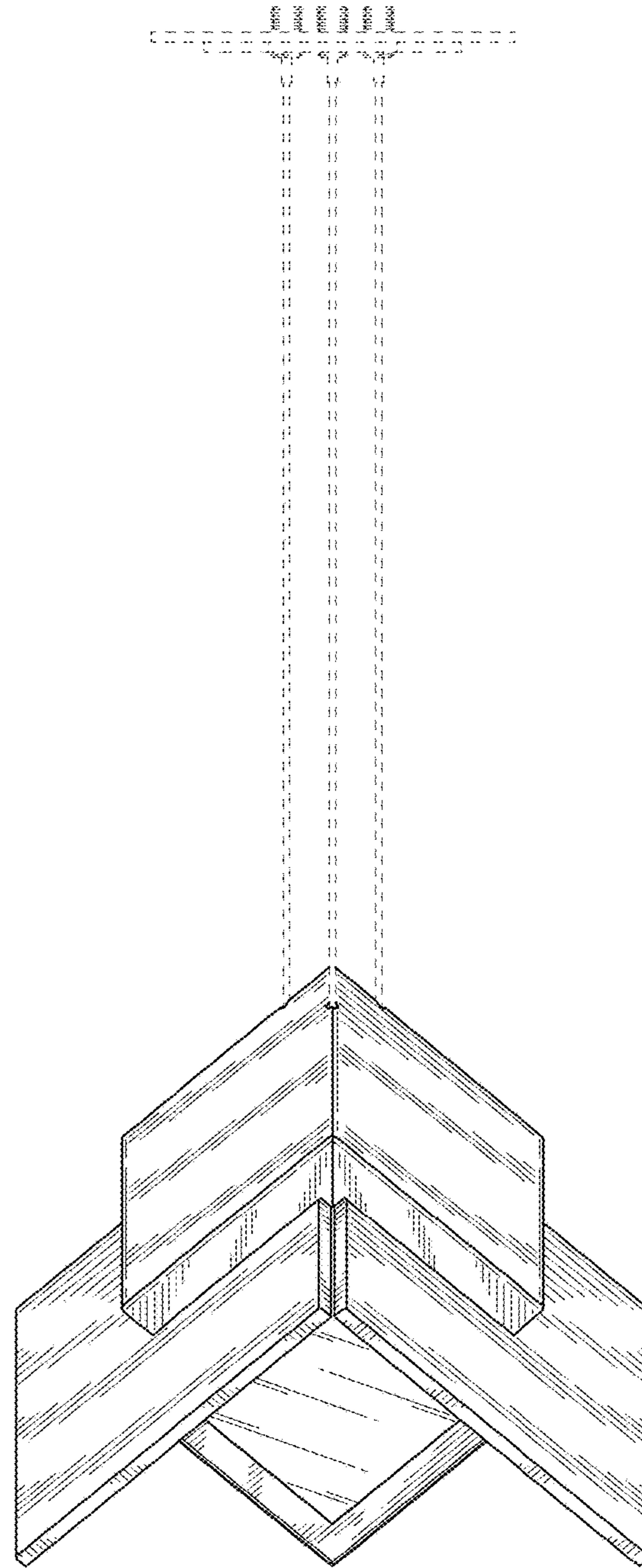


FIG. 3

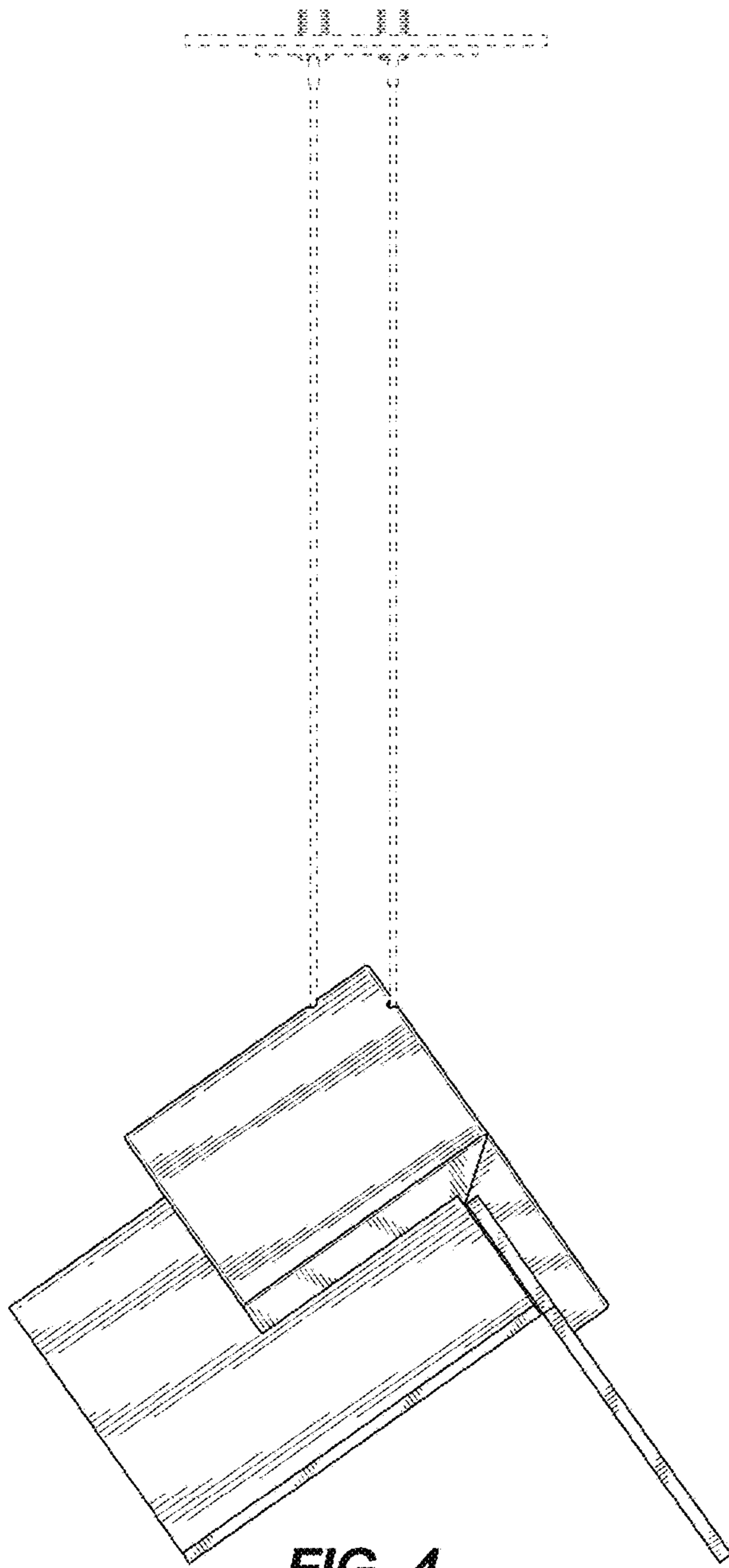


FIG. 4

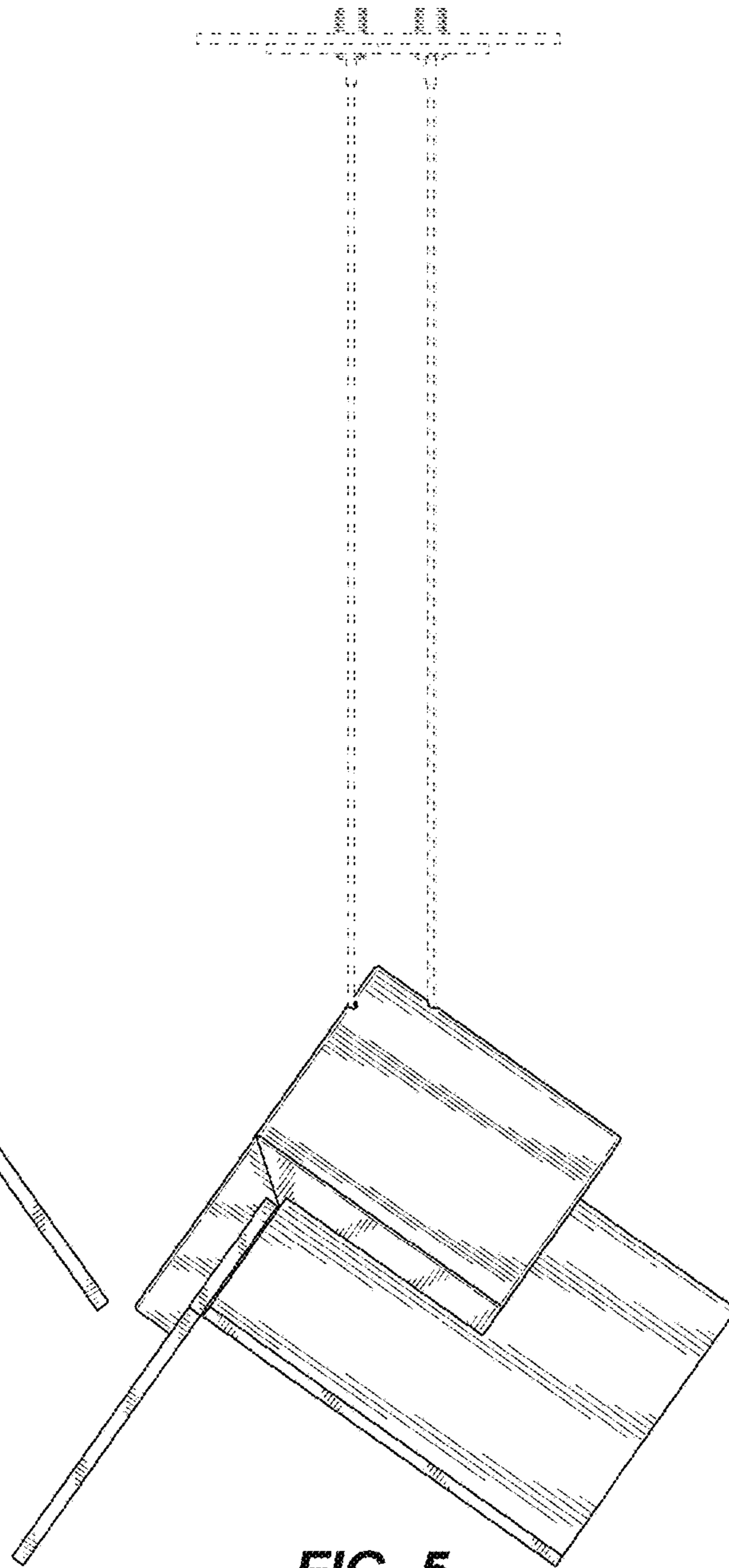


FIG. 5

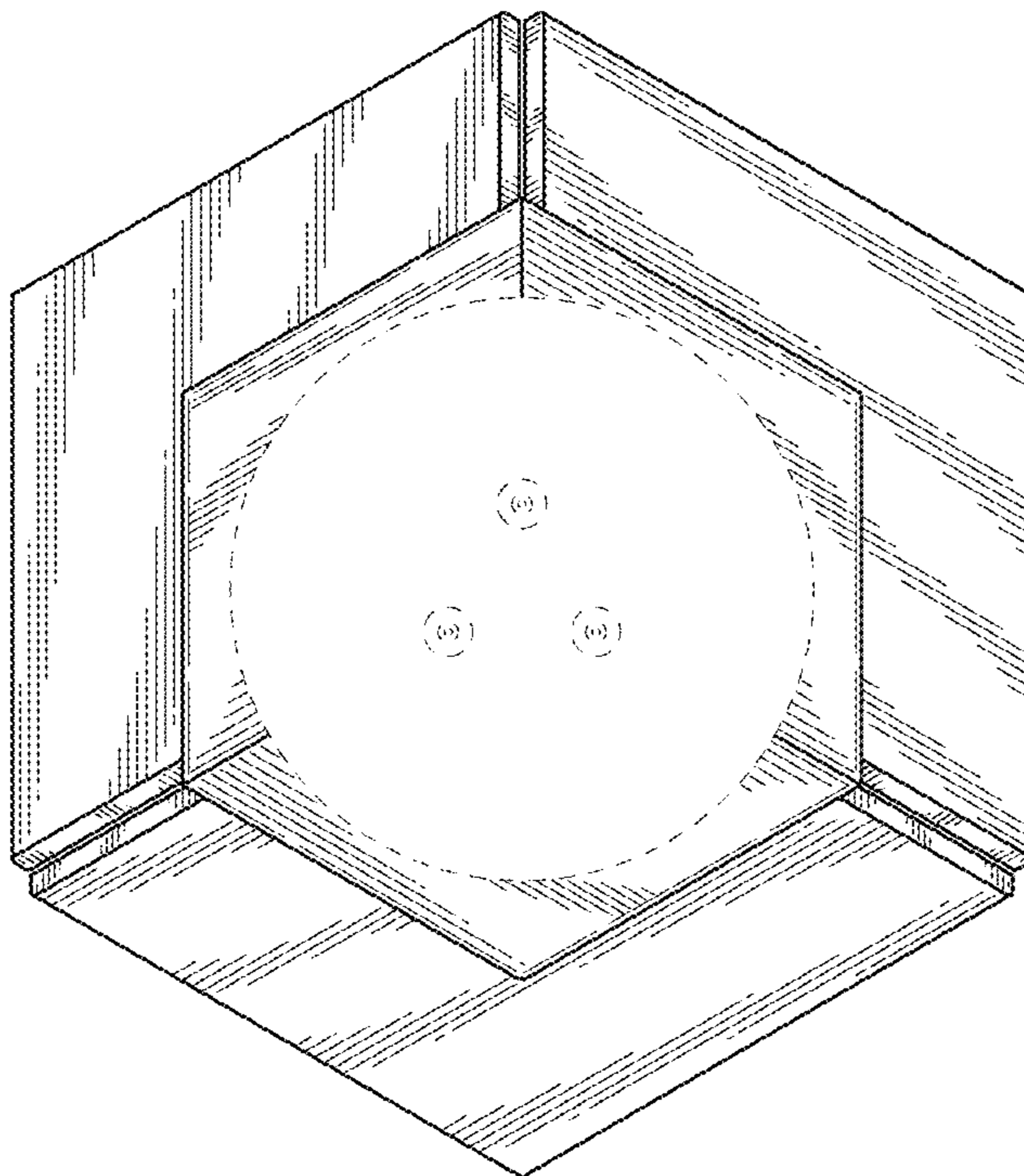


FIG. 6

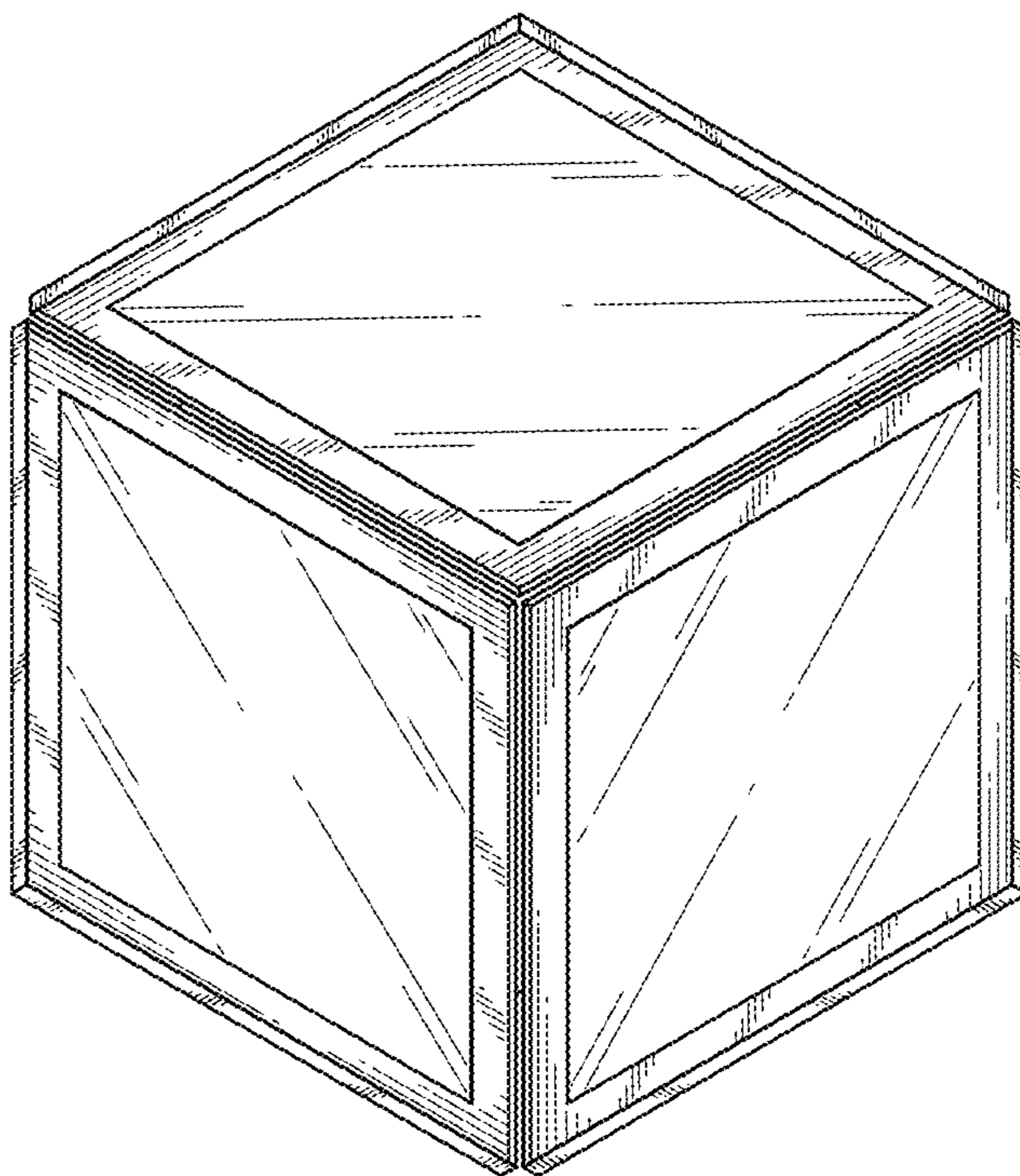


FIG. 7

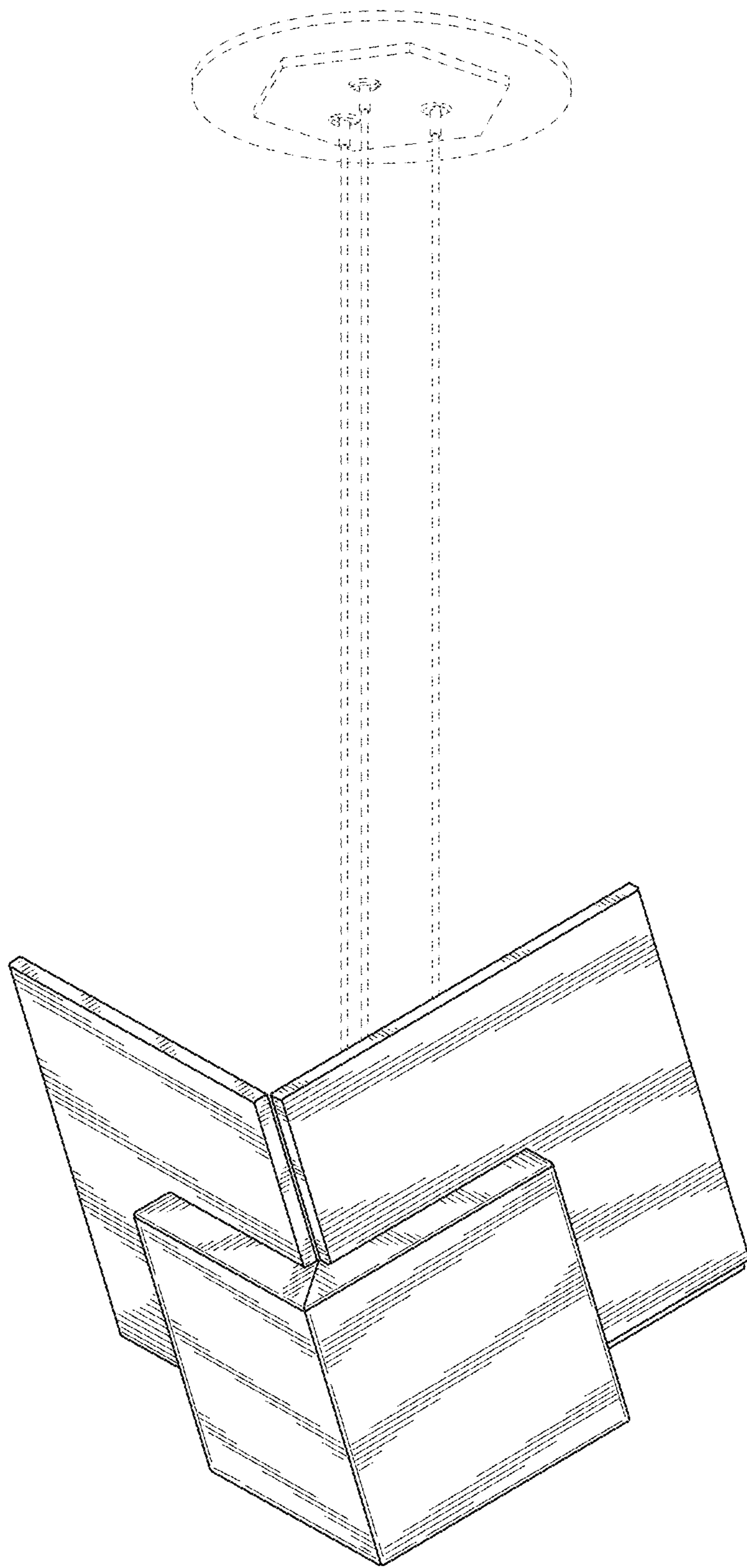


FIG. 8

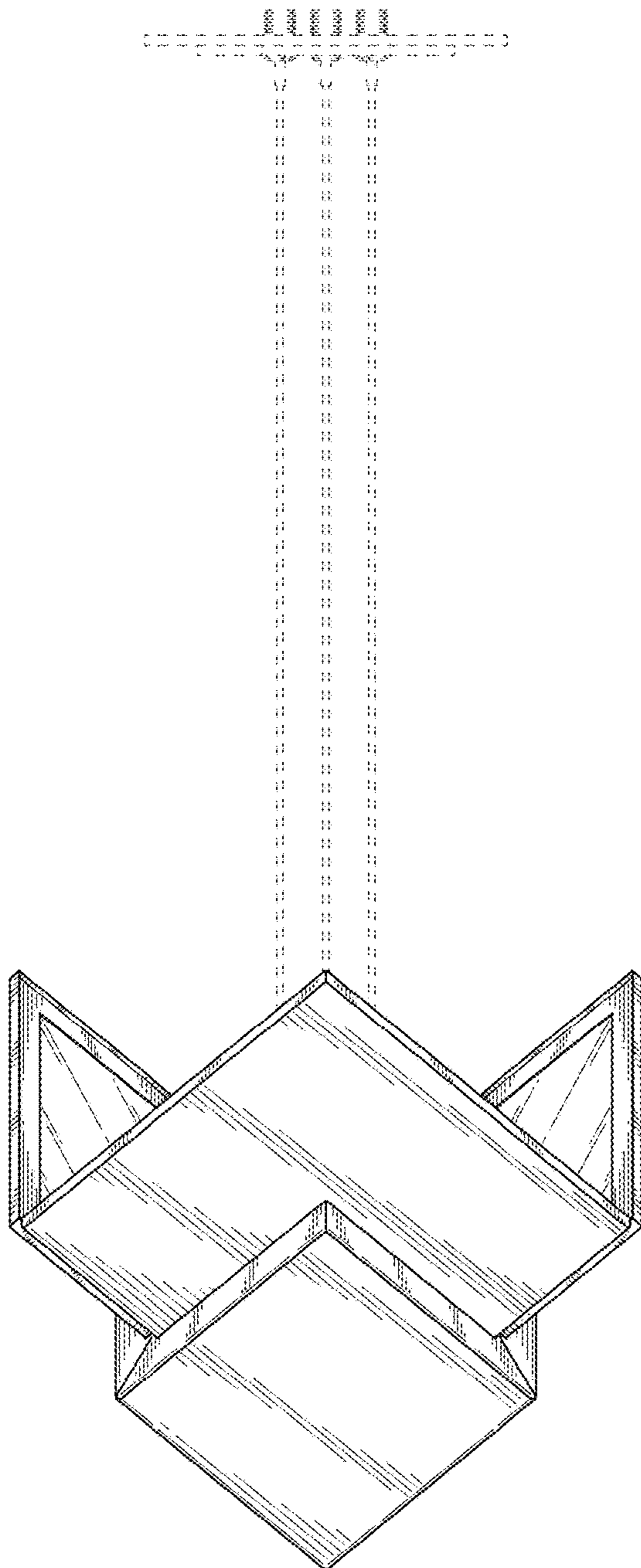


FIG. 9

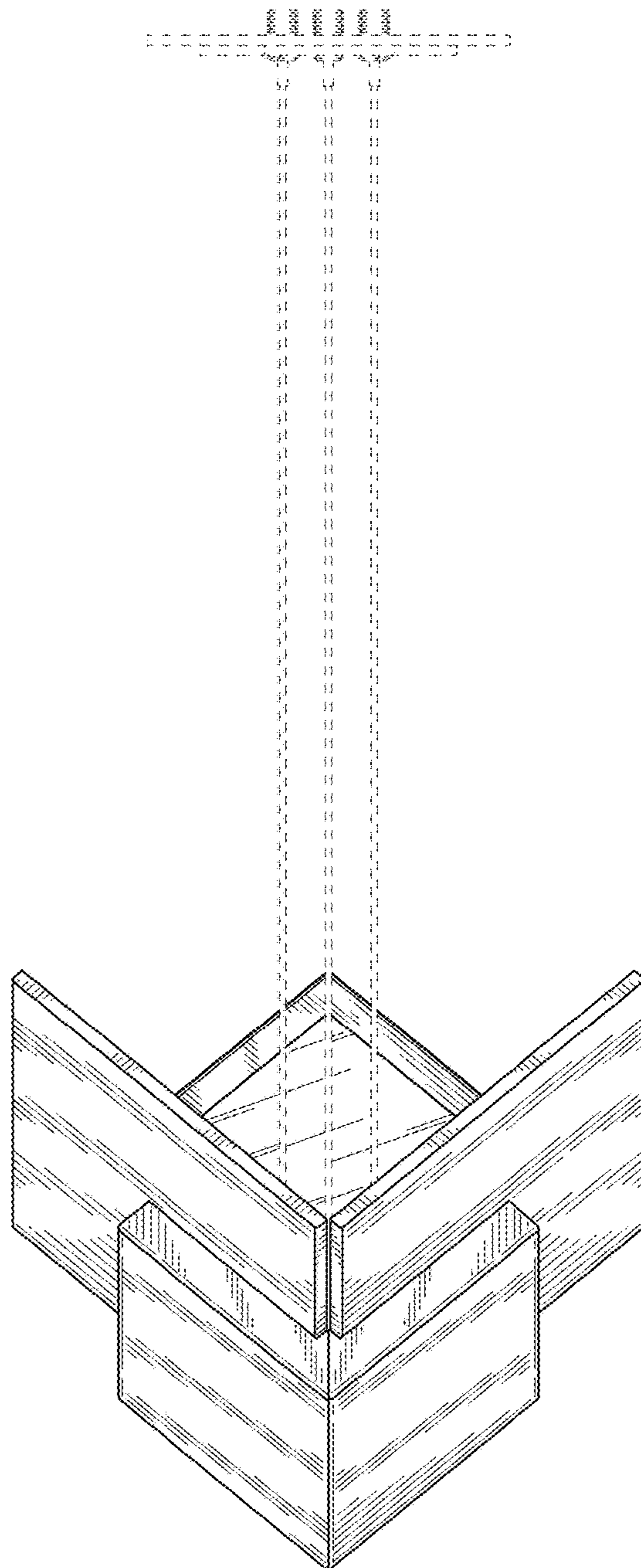


FIG. 10

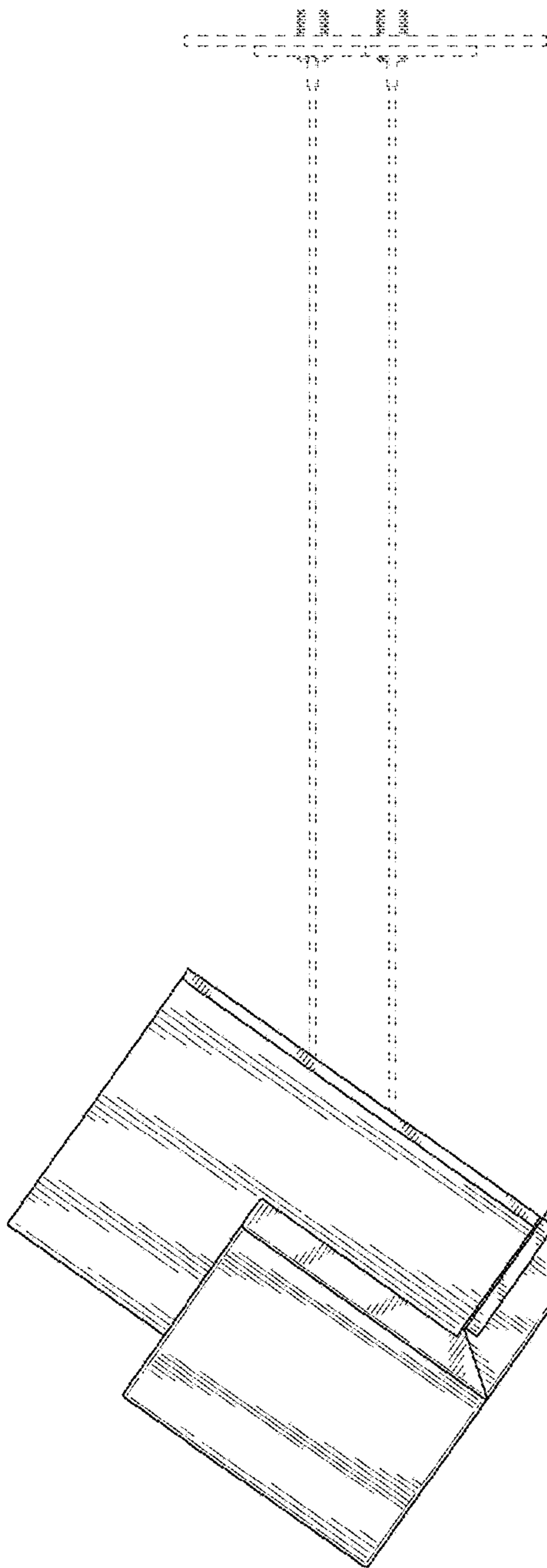


FIG. 11

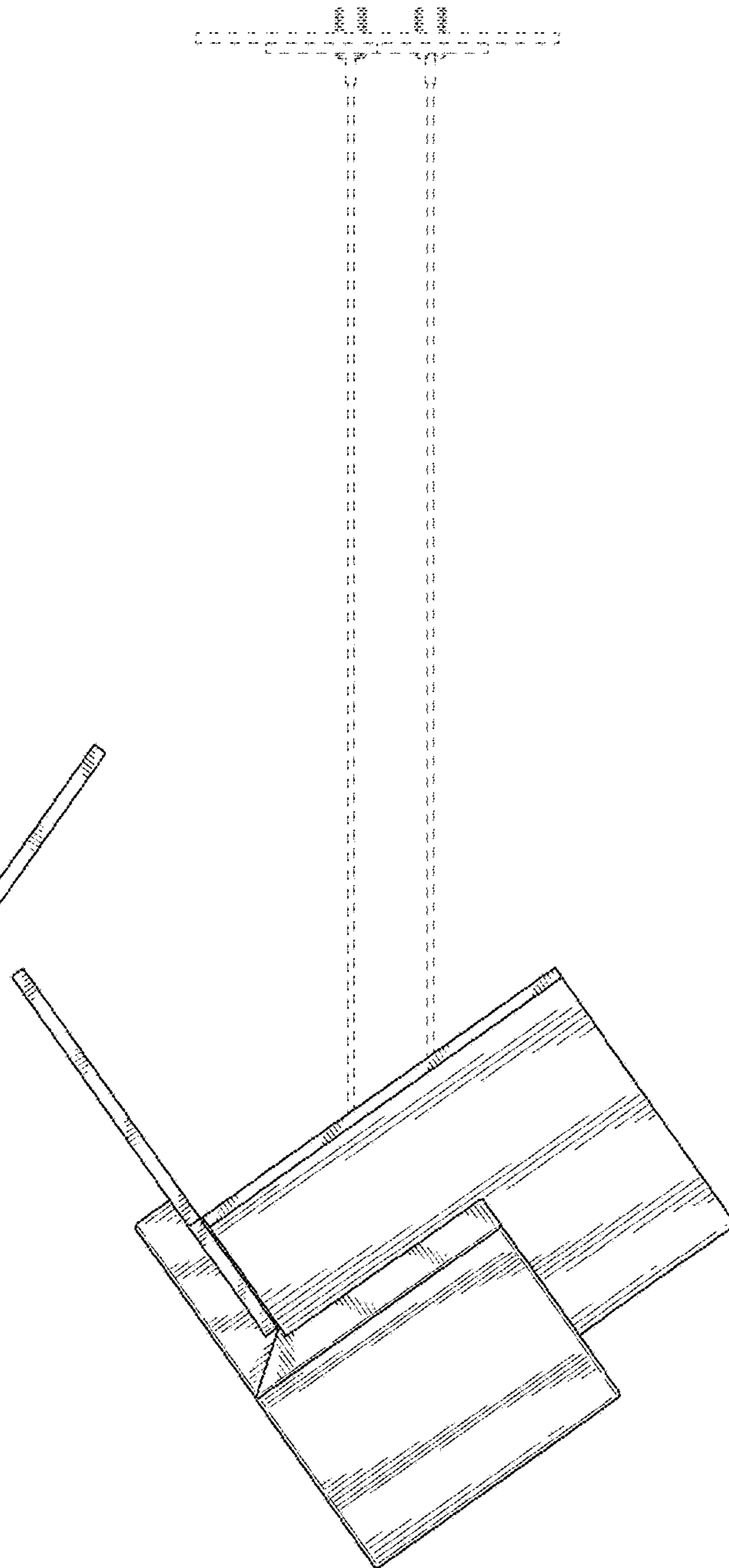


FIG. 12

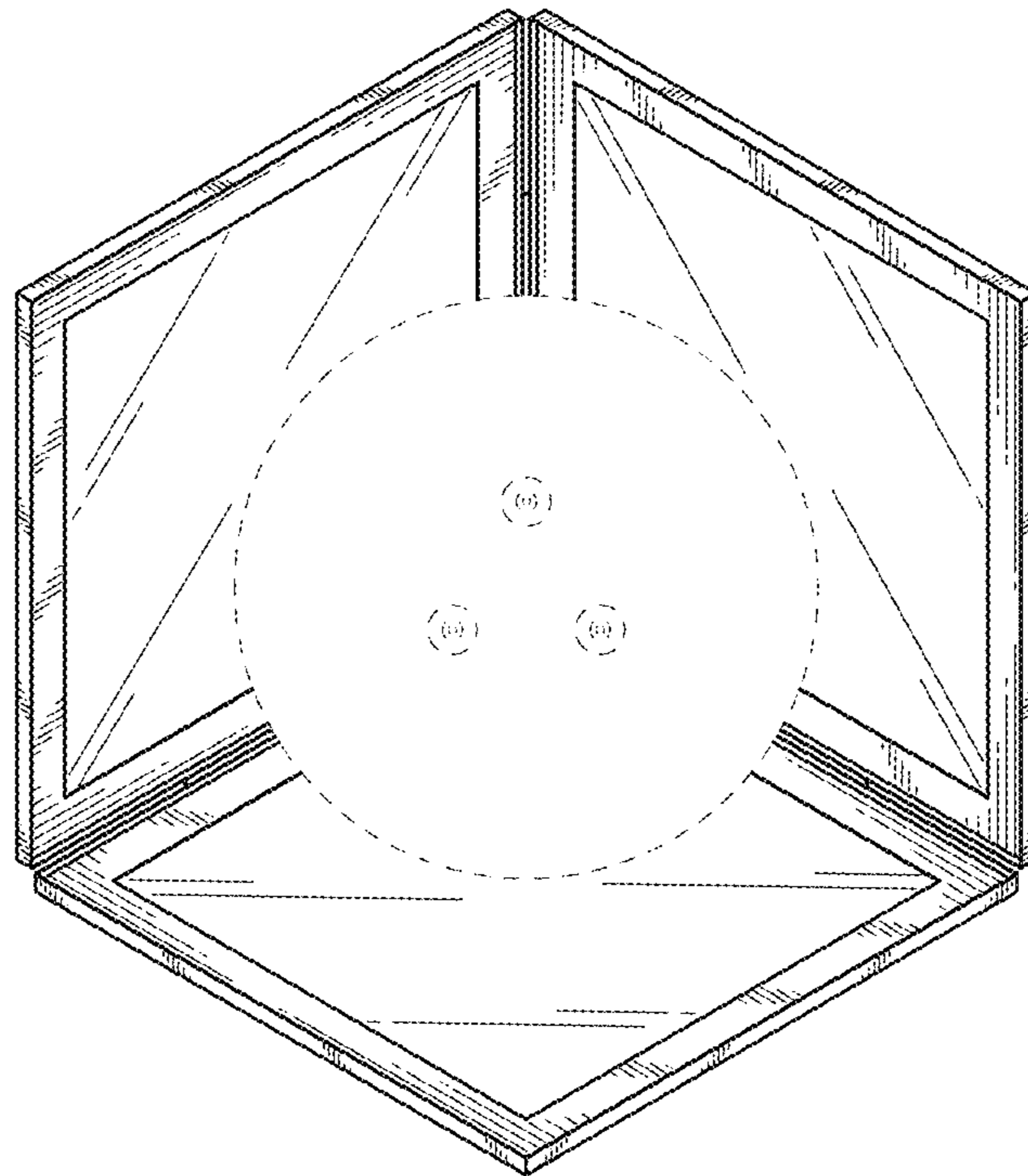


FIG. 13

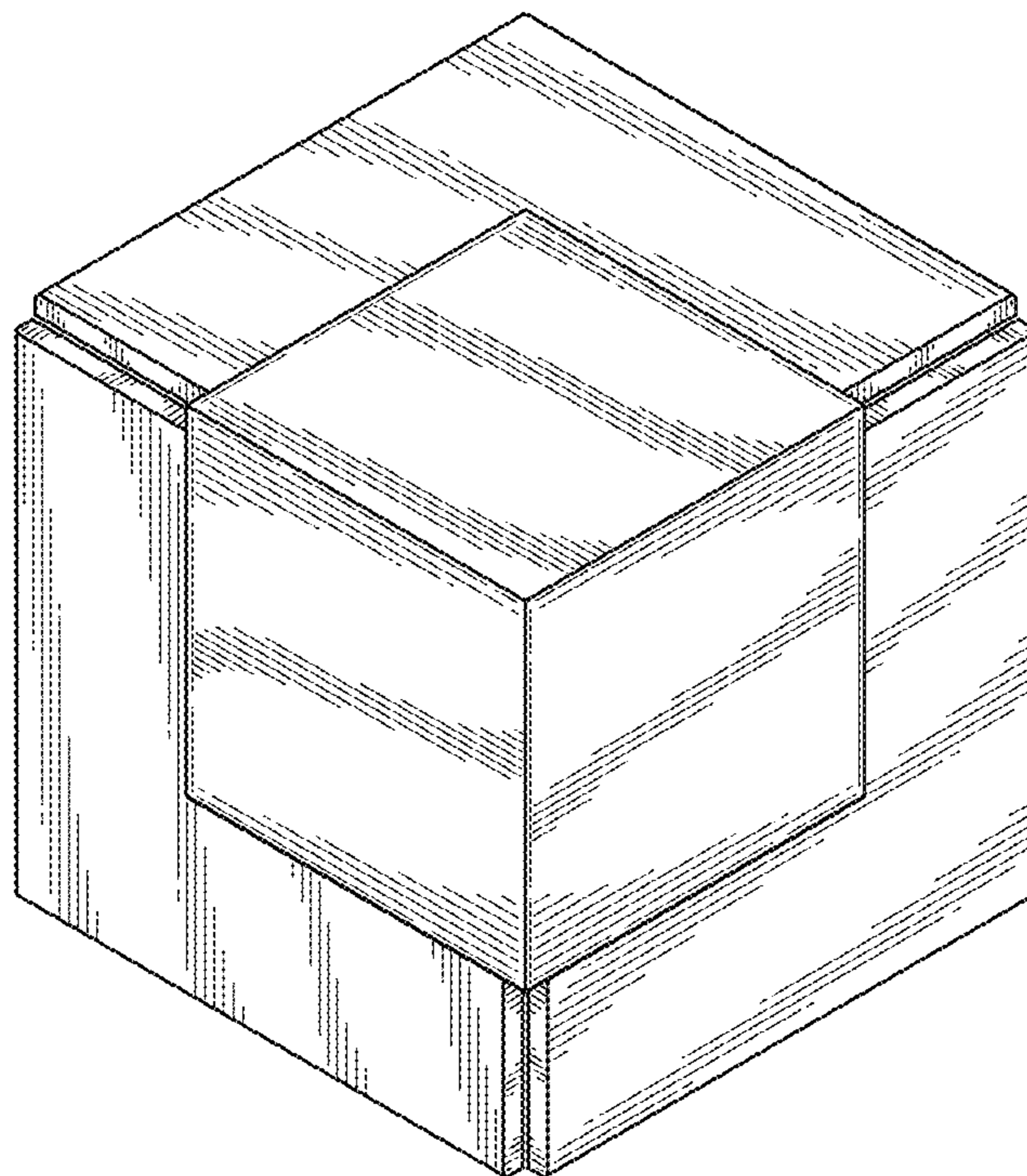


FIG. 14