



US00D805238S

(12) **United States Design Patent**
Amato et al.

(10) **Patent No.:** **US D805,238 S**

(45) **Date of Patent:** **** Dec. 12, 2017**

(54) **LIGHTING FIXTURE**

(71) Applicant: **The Urban Electric Company**, North Charleston, SC (US)

(72) Inventors: **Michael Amato**, Johns Island, SC (US); **David Dawson**, Charleston, SC (US); **Jonathan Charpia**, Summerville, SC (US); **Christopher Roof**, Charleston, SC (US); **Joeangel Casanova**, North Charleston, SC (US); **Courtney Salsbury**, Mount Pleasant, SC (US); **Brianna Magagnoli**, Charleston, SC (US)

(73) Assignee: **The Urban Electric Company**, North Charleston, SC (US)

(**) Term: **15 Years**

(21) Appl. No.: **29/579,350**

(22) Filed: **Sep. 29, 2016**

(51) **LOC (10) Cl.** **26-03**

(52) **U.S. Cl.**
USPC **D26/88**

(58) **Field of Classification Search**
USPC D26/80-91, 118, 128, 135
CPC F21S 8/03; F21S 8/033; F21S 8/036; F21S 8/04; F21S 8/043; F21S 8/046; F21S 8/06; F21S 8/061; F21S 8/063; F21S 8/065; F21S 8/068
See application file for complete search history.

(56) **References Cited**

U.S. PATENT DOCUMENTS

D24,737 S * 10/1895 Ferguson D26/114
D53,975 S * 11/1919 Adam D26/90

1,350,809 A * 8/1920 Jerome F21S 13/00
362/307
D90,017 S * 5/1933 Bush D26/84
4,837,667 A * 6/1989 Grau F21S 2/00
362/147
D402,387 S * 12/1998 Stewart D26/81
D436,210 S * 1/2001 Miranda D26/81
D622,436 S * 8/2010 Whittier D26/118
D659,882 S * 5/2012 Sterling D26/83
D705,475 S * 5/2014 Kitts D26/81
D754,904 S * 4/2016 Orozco D26/81
D755,432 S * 5/2016 Orozco D26/82
D769,506 S * 10/2016 Orozco D26/82
D779,102 S * 2/2017 Garraton D26/81

* cited by examiner

Primary Examiner — Clare E Hefflin

(74) *Attorney, Agent, or Firm* — Jeffrey T. Stover; Haynsworth Sinkler Boyd, P.A.

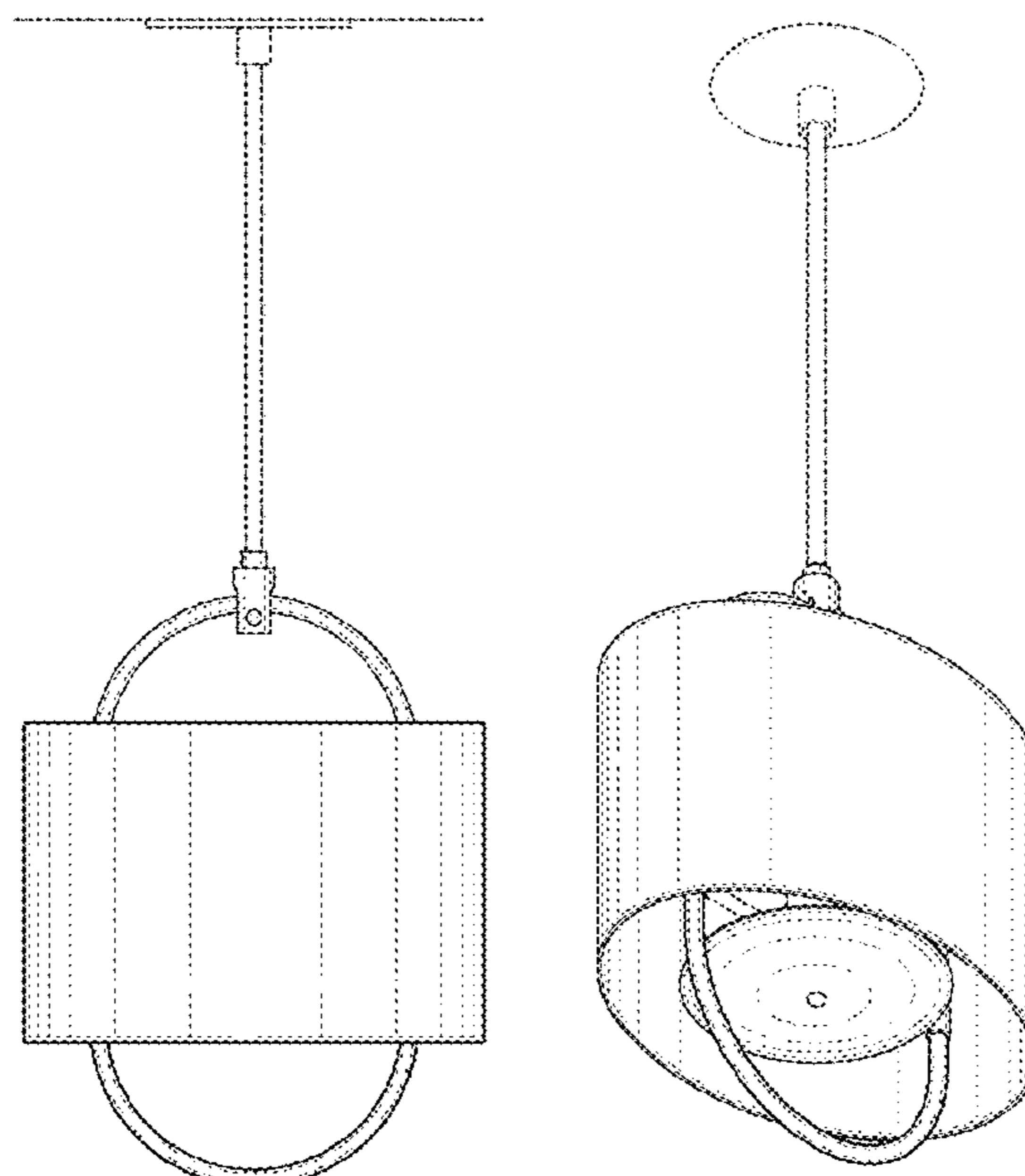
(57) **CLAIM**

The ornamental design for a lighting fixture, as shown and described.

DESCRIPTION

FIG. 1 is a top perspective view of a lighting fixture showing the new design;
FIG. 2 is a front elevational view thereof;
FIG. 3 is a back elevational view thereof.
FIG. 4 is a right side elevational view thereof;
FIG. 5 is a left side elevational view thereof;
FIG. 6 is a top plan view thereof;
FIG. 7 is a bottom plan view thereof; and,
FIG. 8 is a bottom perspective view thereof.
The broken lines shown on the drawings are understood to represent environmental structure that is not considered part of the claimed design.

1 Claim, 8 Drawing Sheets



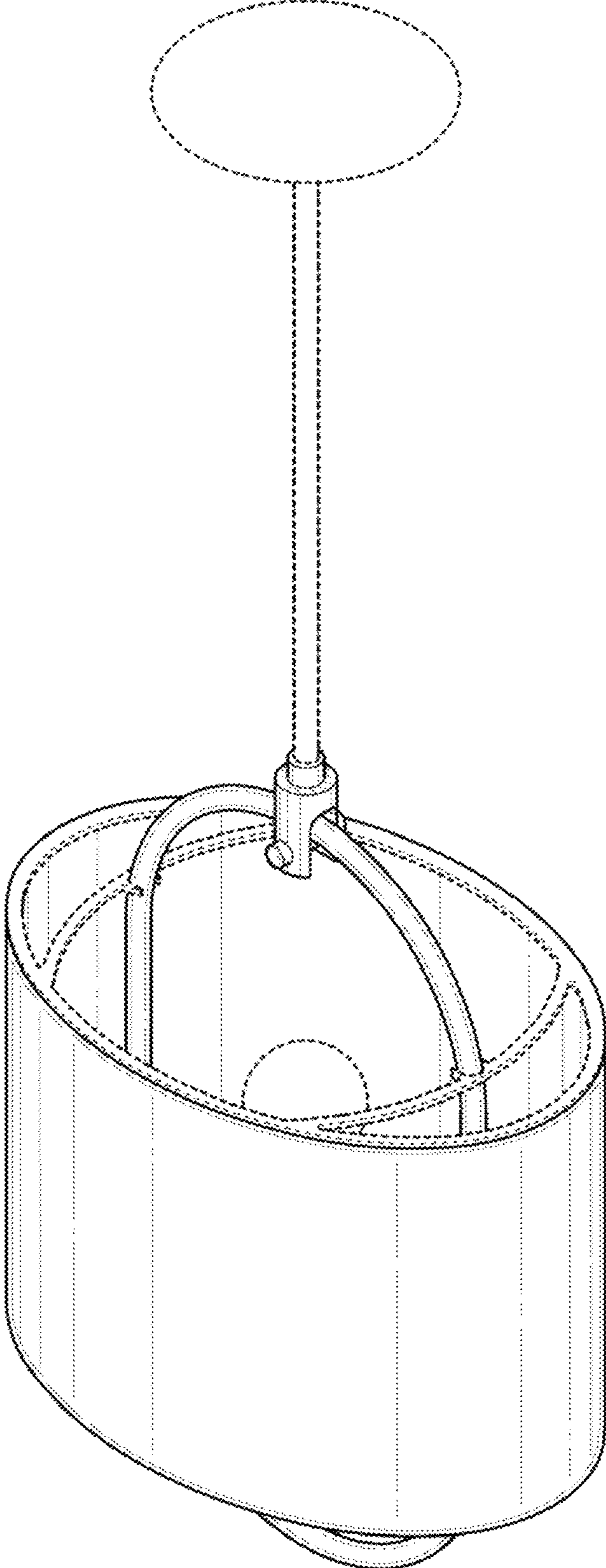


FIG. 1

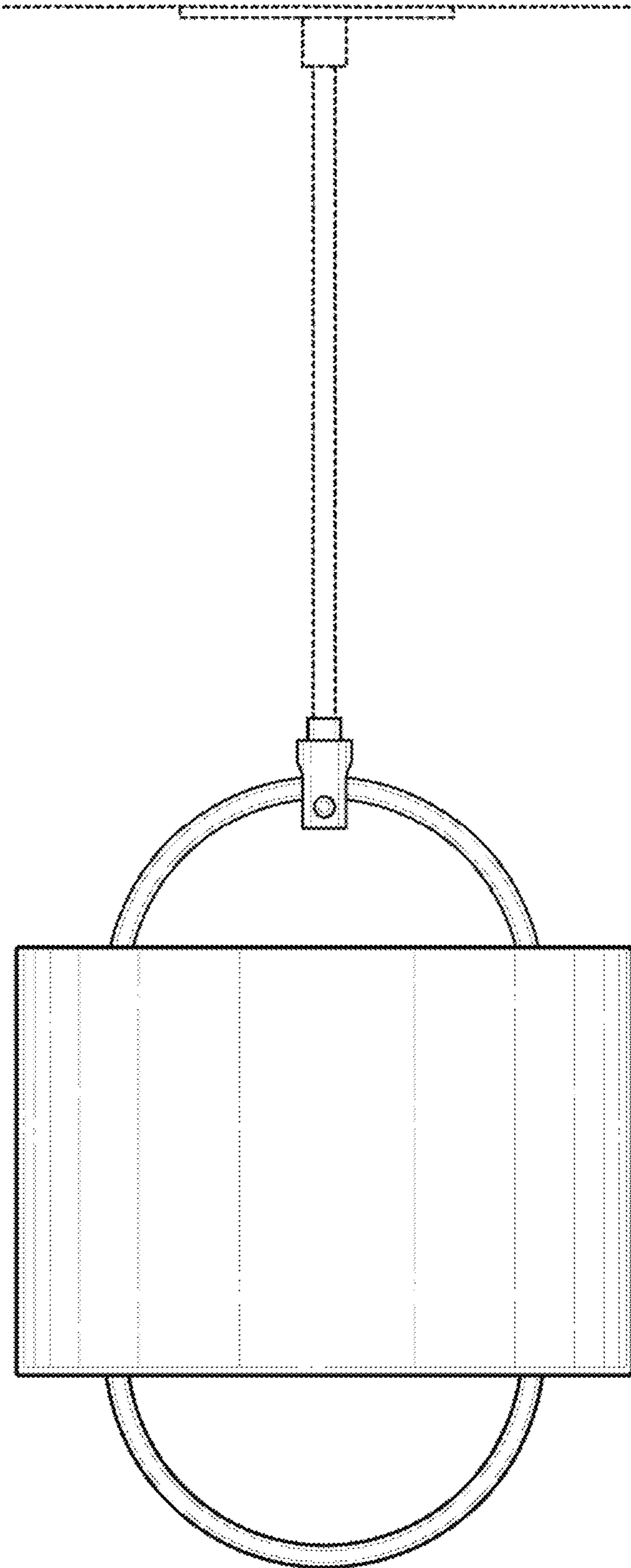


FIG. 2

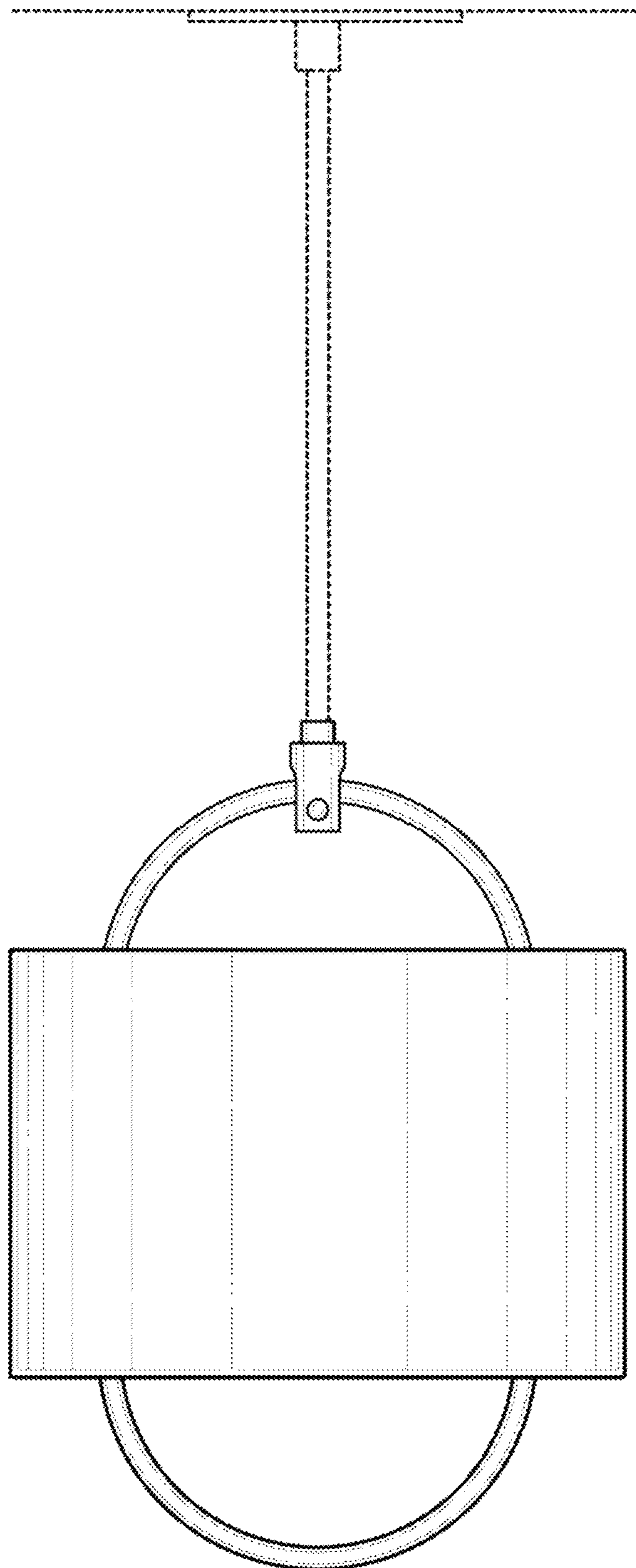


FIG. 3

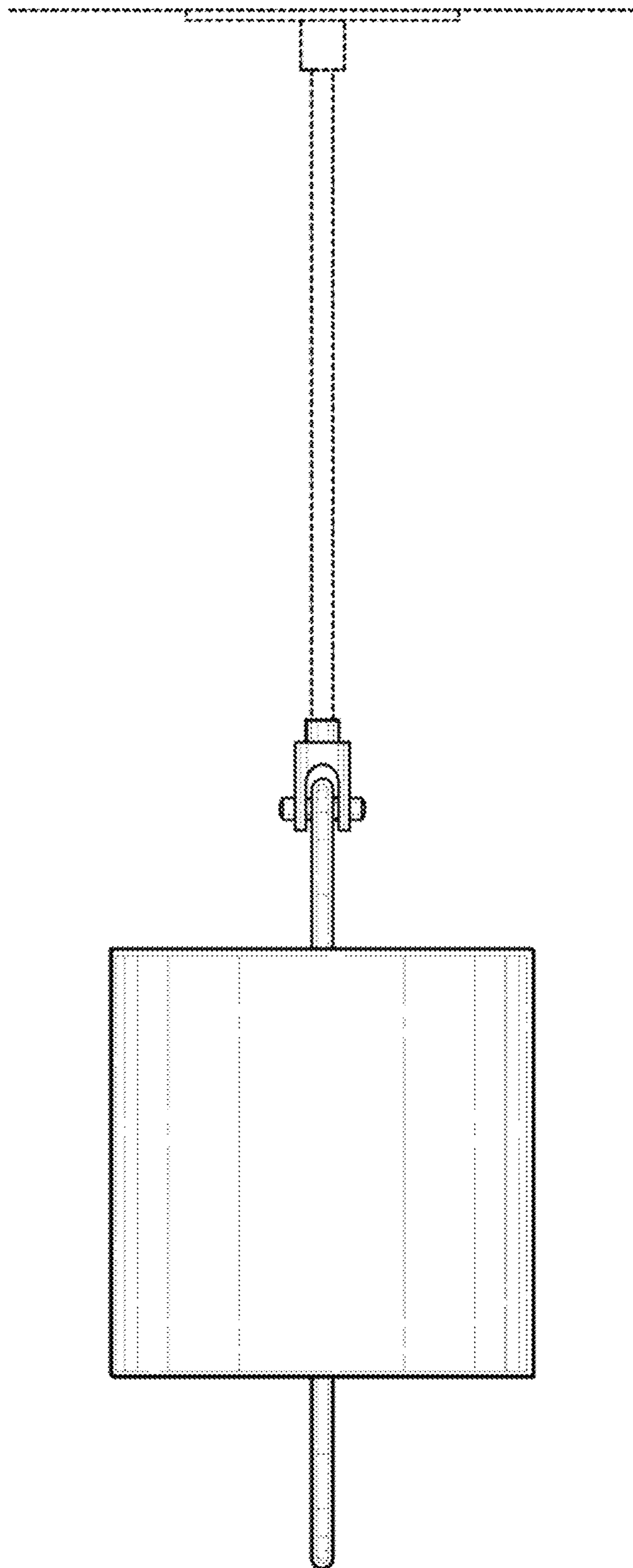


FIG. 4

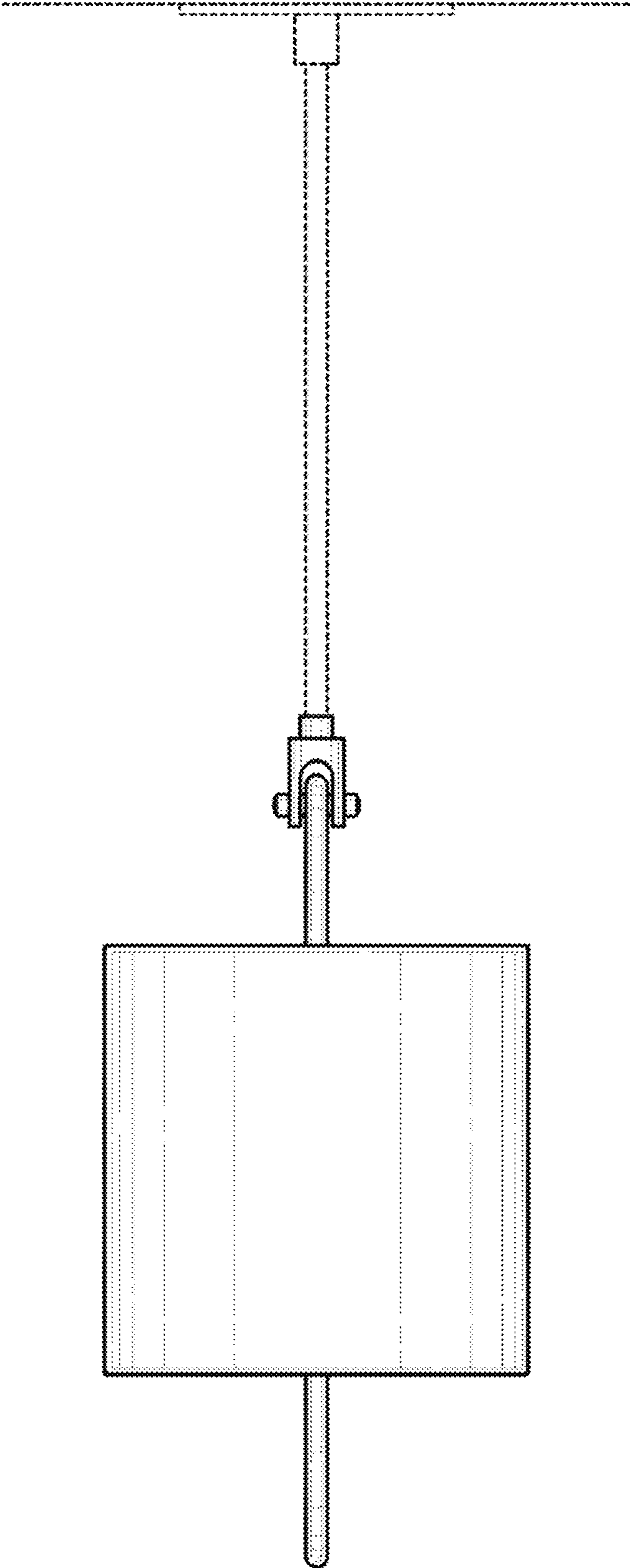


FIG. 5

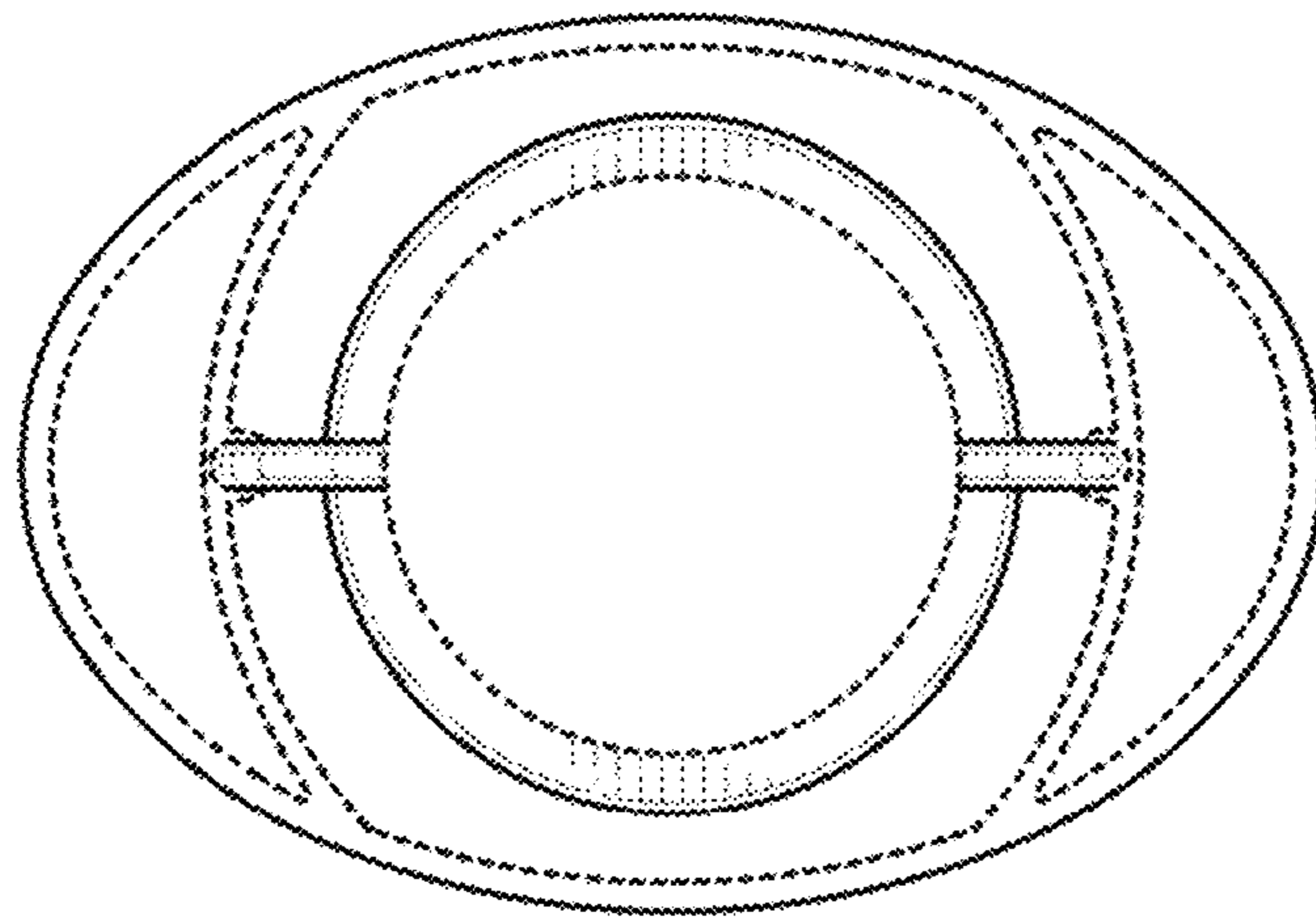


FIG. 6

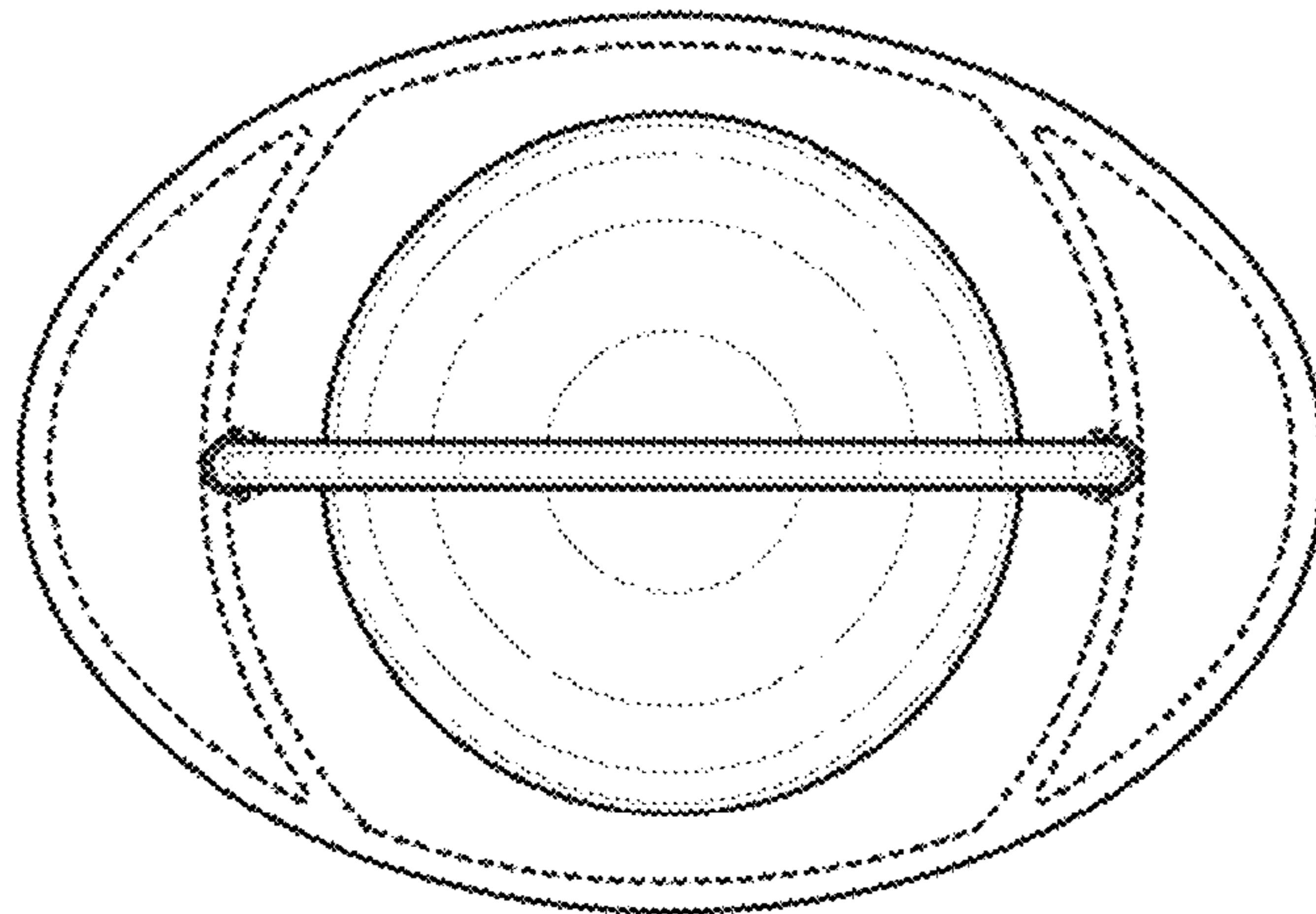


FIG. 7

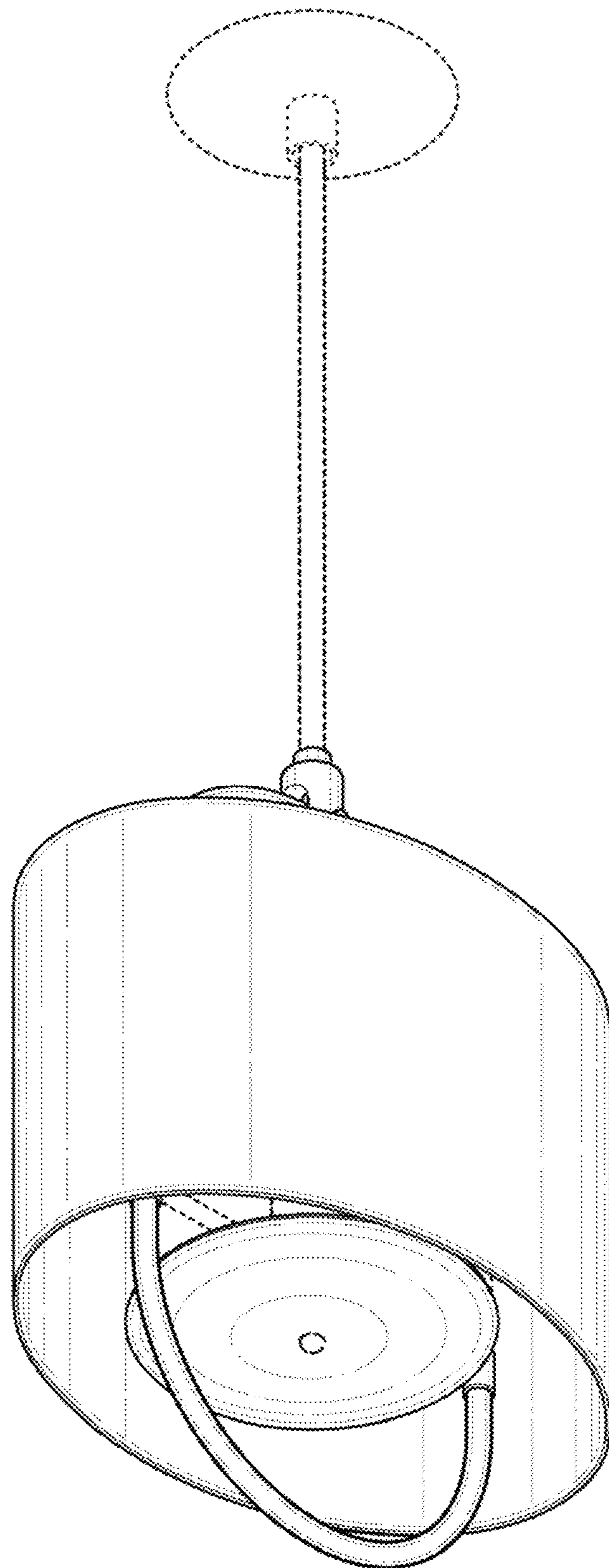


FIG. 8