



US00D805237S

(12) **United States Design Patent**  
**Amato et al.**

(10) **Patent No.:** **US D805,237 S**

(45) **Date of Patent:** **\*\* Dec. 12, 2017**

(54) **LIGHTING FIXTURE**

(71) Applicant: **The Urban Electric Company**, North Charleston, SC (US)

(72) Inventors: **Michael Amato**, Johns Island, SC (US); **David Dawson**, Charleston, SC (US); **Jonathan Charpia**, Summerville, SC (US); **Christopher Roof**, Charleston, SC (US); **Joeangel Casanova**, North Charleston, SC (US); **Courteney Salsbury**, Mount Pleasant, SC (US); **Brianna Magagnoli**, Charleston, SC (US)

(73) Assignee: **The Urban Electric Company**, North Charleston, SC (US)

(\*\*) Term: **15 Years**

(21) Appl. No.: **29/566,920**

(22) Filed: **Jun. 3, 2016**

(51) **LOC (10) Cl.** ..... **26-03**

(52) **U.S. Cl.**  
USPC ..... **D26/88**

(58) **Field of Classification Search**  
USPC ..... D26/80-91, 118, 128, 135  
CPC .... F21S 8/03; F21S 8/033; F21S 8/036; F21S 8/04; F21S 8/043; F21S 8/046; F21S 8/06; F21S 8/061; F21S 8/063; F21S 8/065; F21S 8/068  
See application file for complete search history.

(56) **References Cited**

**U.S. PATENT DOCUMENTS**

D38,253 S \* 9/1906 Chisholm ..... D26/88  
D113,501 S \* 2/1939 Alm et al. .... D26/86

4,837,667 A \* 6/1989 Grau ..... F21S 2/00  
362/147  
D342,338 S \* 12/1993 Thun ..... D26/63  
D697,249 S \* 1/2014 Pyle ..... D26/85  
D705,475 S \* 5/2014 Kitts ..... D26/81  
D731,695 S \* 6/2015 Pyle ..... D26/88  
D754,904 S \* 4/2016 Orozco ..... D26/81  
D770,663 S \* 11/2016 Nicholas ..... D26/81  
D779,102 S \* 2/2017 Garraton ..... D26/81  
D780,367 S \* 2/2017 Clark ..... D26/88  
2013/0058075 A1 \* 3/2013 Wang ..... F21S 8/061  
362/147  
2017/0038035 A1 \* 2/2017 Liu ..... F21V 21/08

\* cited by examiner

*Primary Examiner* — Clare E Heflin

(74) *Attorney, Agent, or Firm* — Jeffrey T. Stover; Haynsworth Sinkler Boyd, P.A.

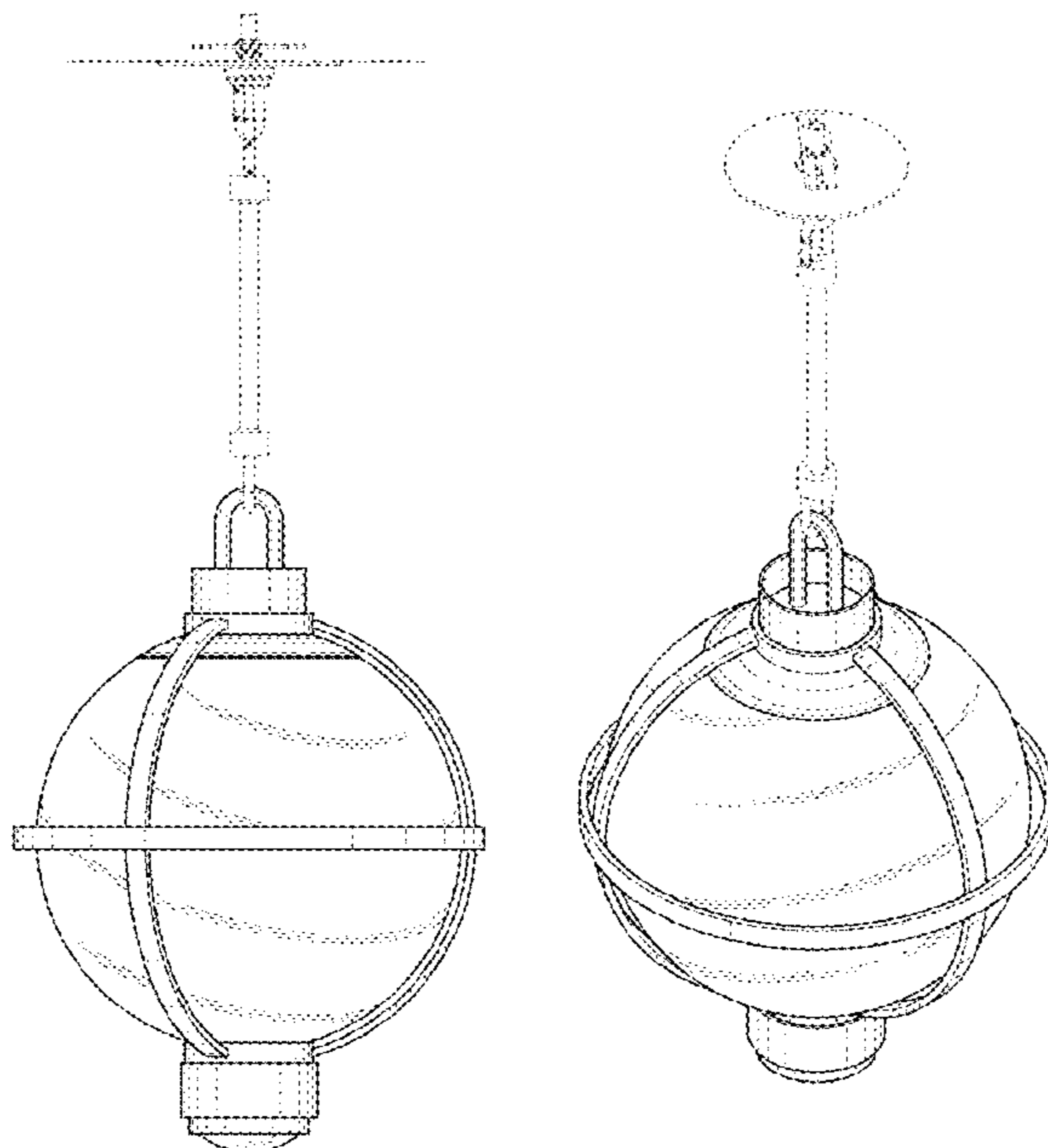
(57) **CLAIM**

The ornamental design for a lighting fixture, as shown and described.

**DESCRIPTION**

FIG. 1 is a bottom perspective view of a new lighting fixture design;  
FIG. 2 is a front elevational view thereof;  
FIG. 3 is a back elevational view thereof.  
FIG. 4 is a right side elevational view thereof;  
FIG. 5 is a left side elevational view thereof;  
FIG. 6 is a top plan view thereof;  
FIG. 7 is a bottom plan view thereof; and,  
FIG. 8 is a top perspective view thereof.  
The broken line disclosure in the views represents environmental structure which forms no part of the claimed design.

**1 Claim, 8 Drawing Sheets**



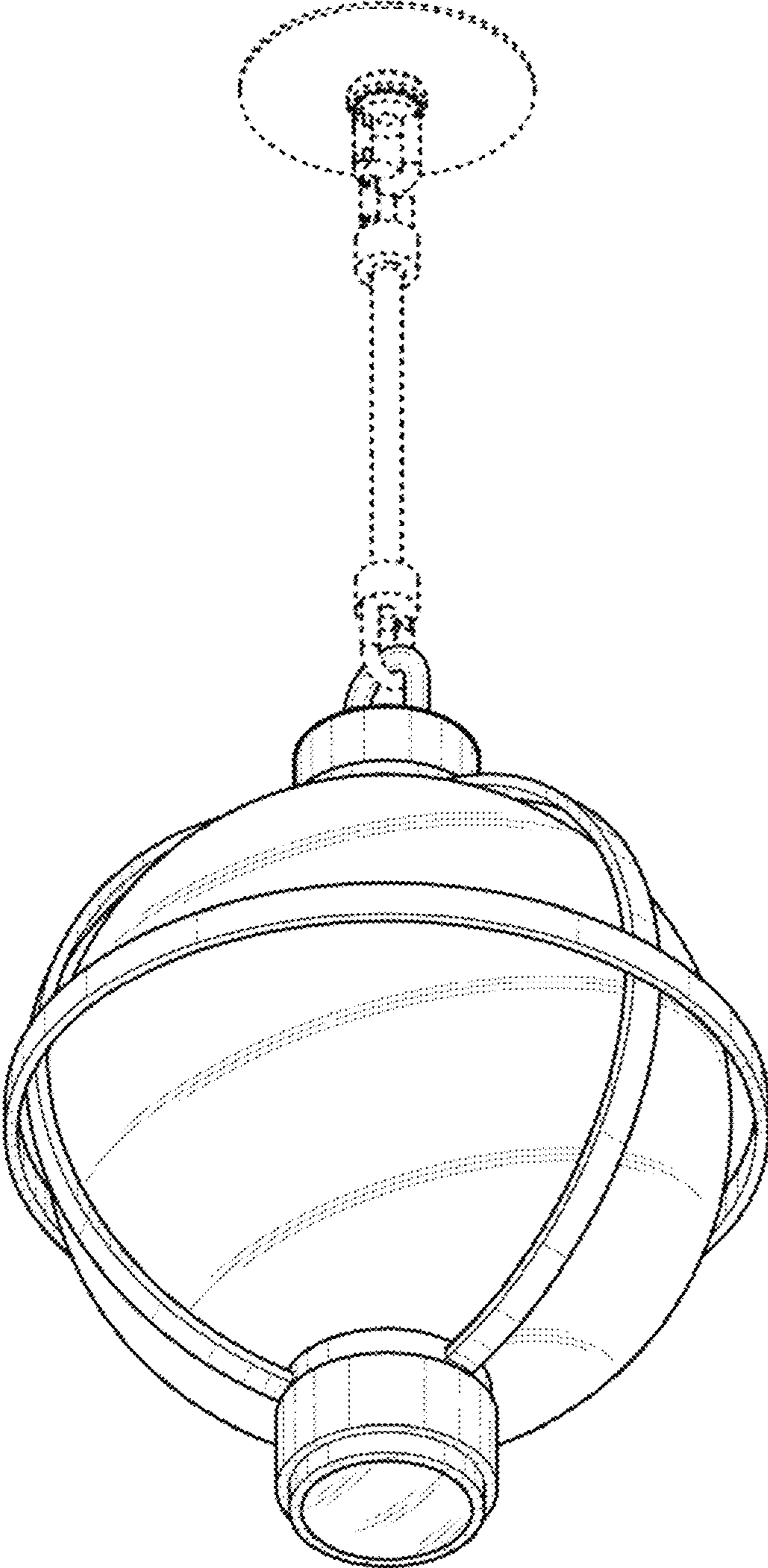


FIG. 1

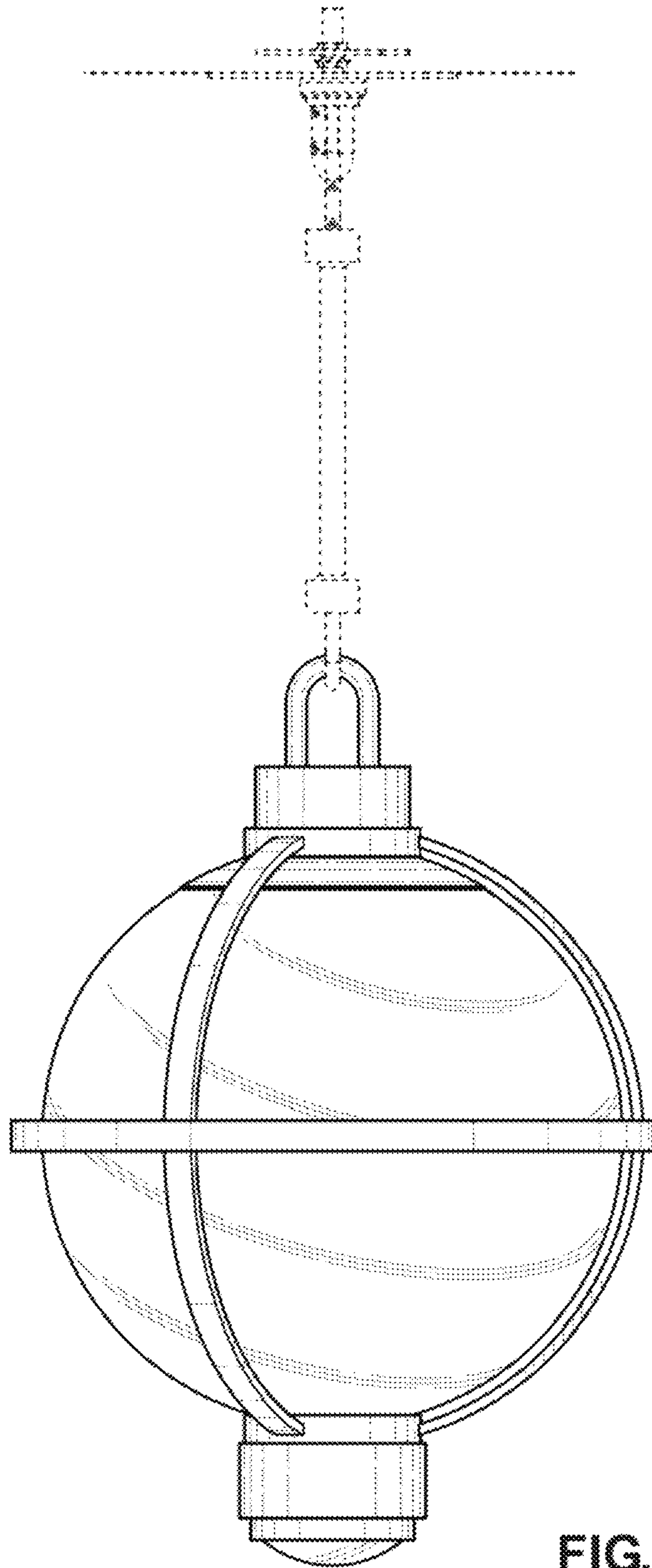


FIG. 2

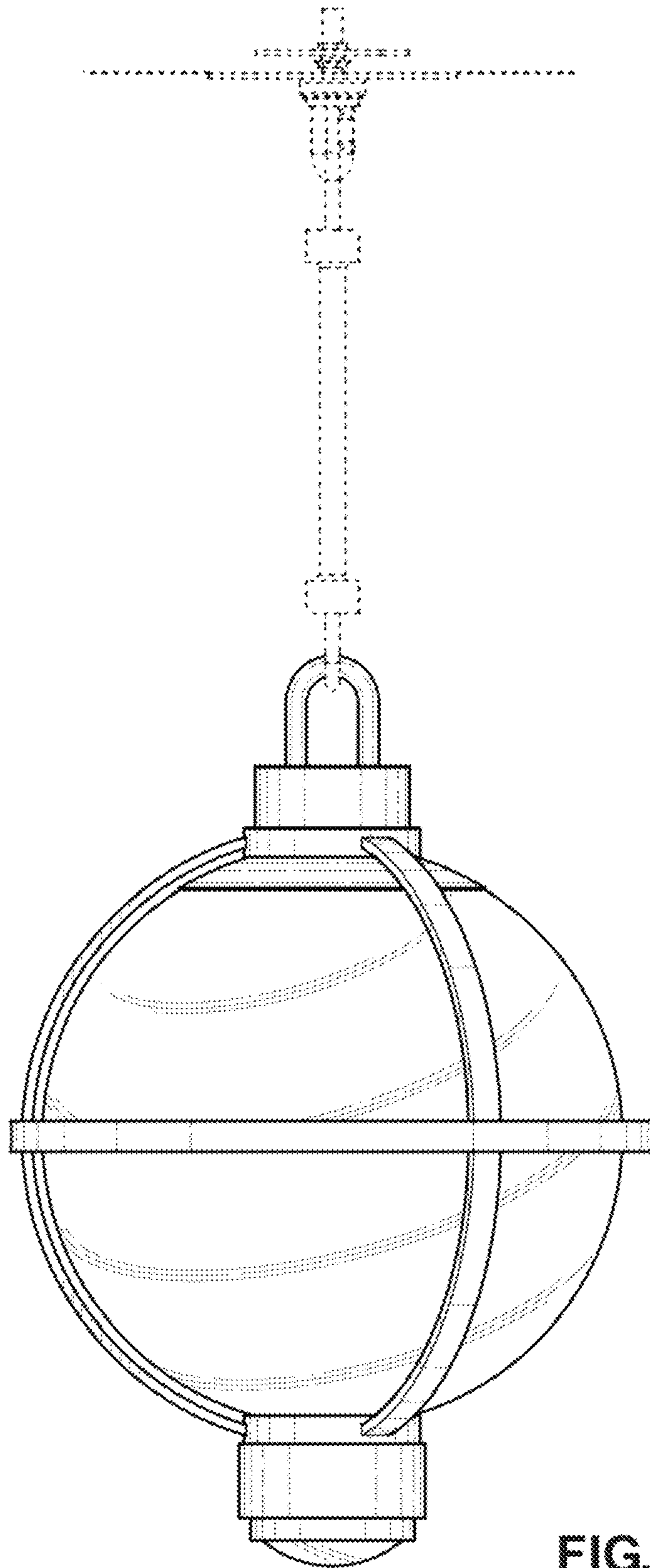


FIG. 3



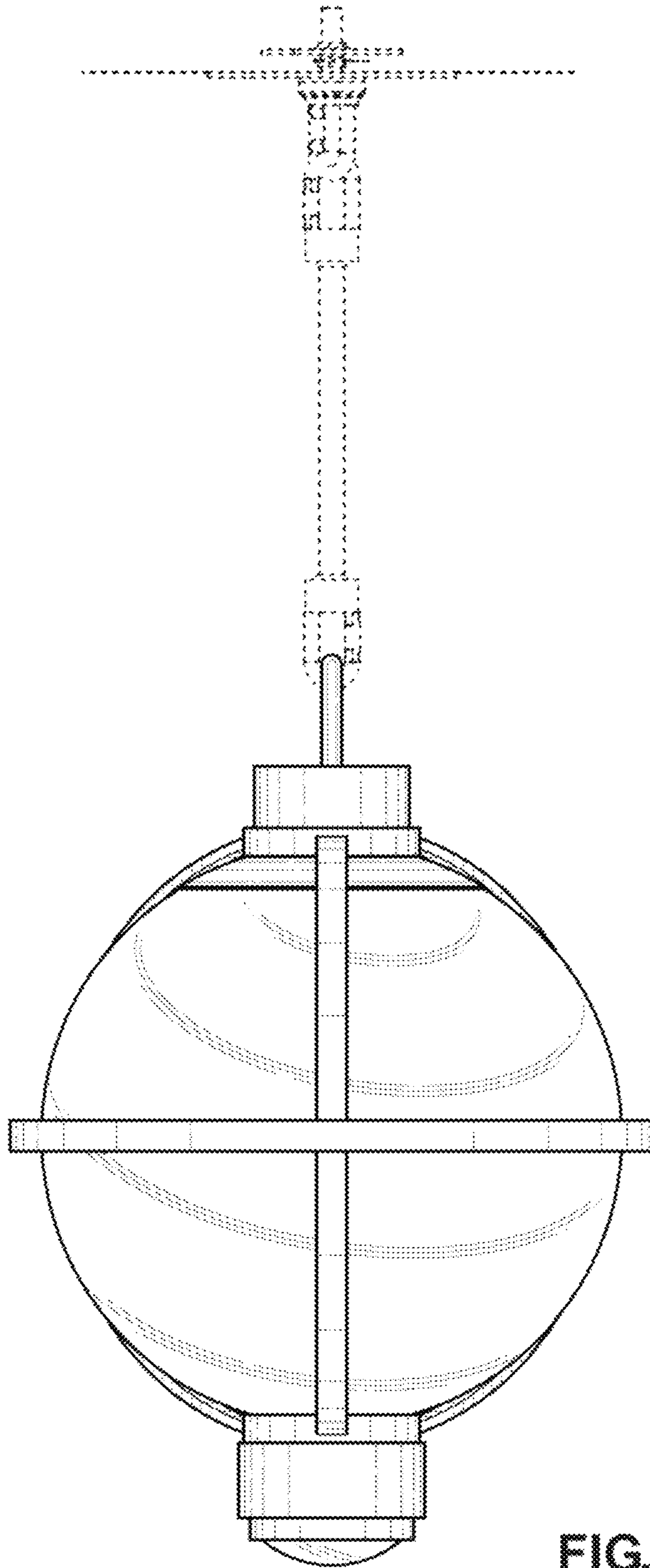


FIG. 4

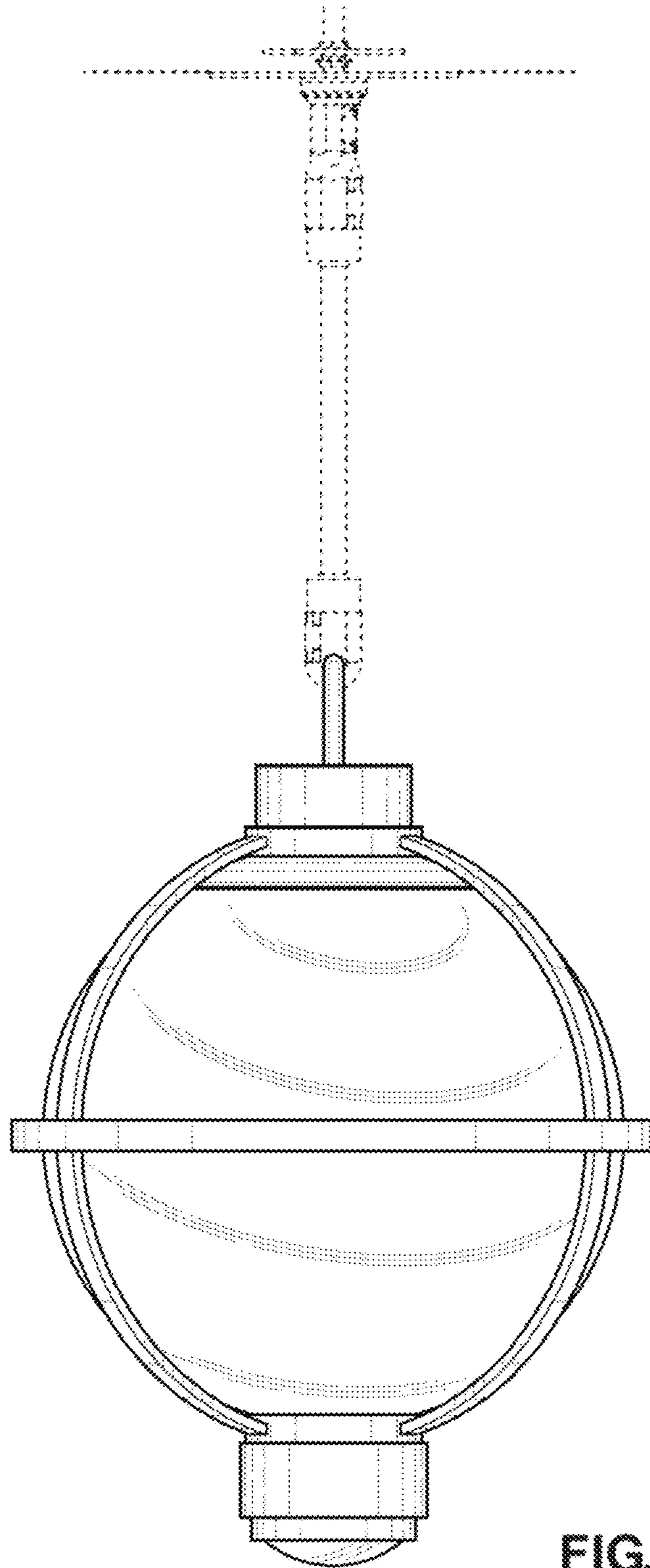


FIG. 5

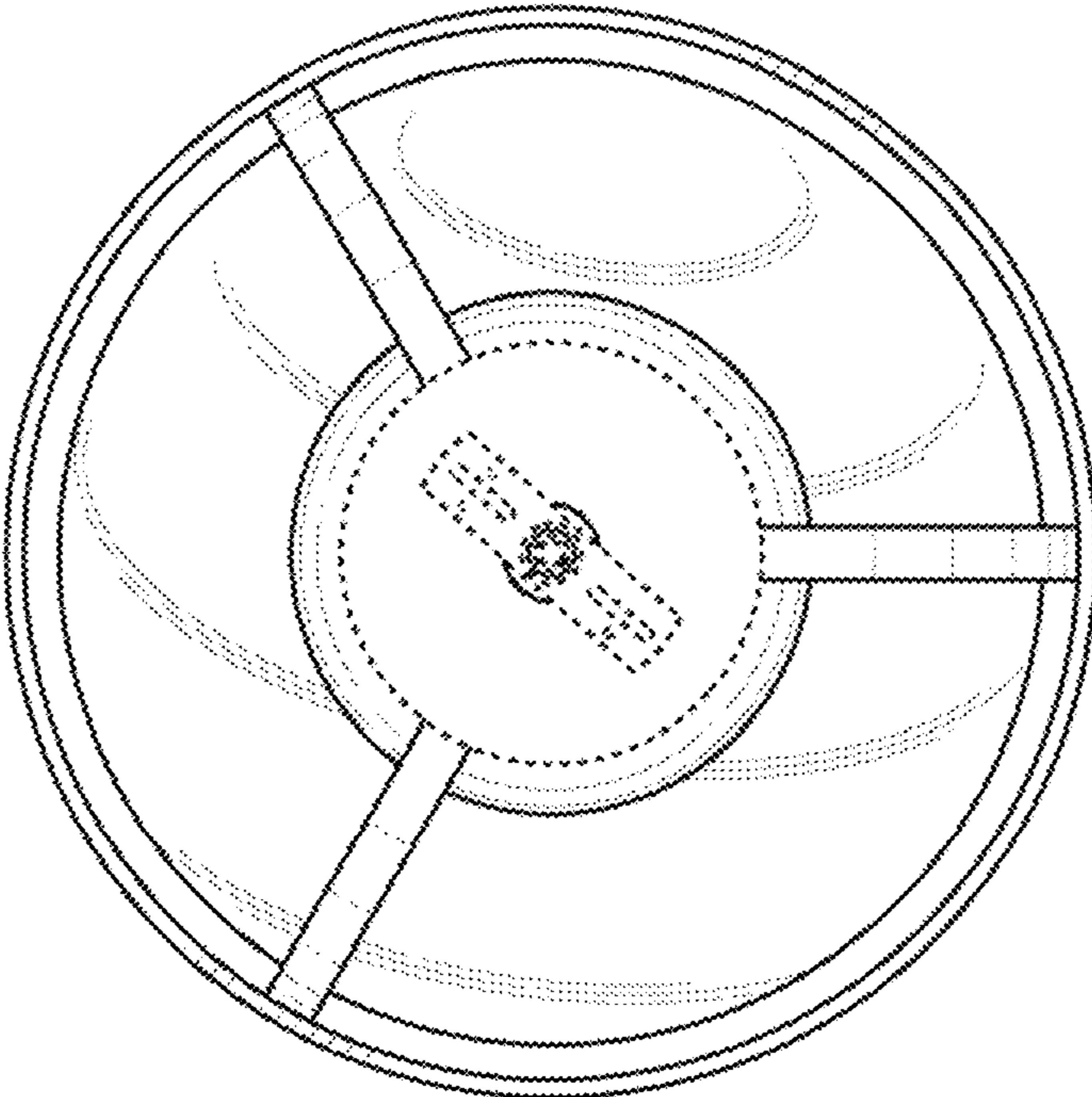


FIG. 6

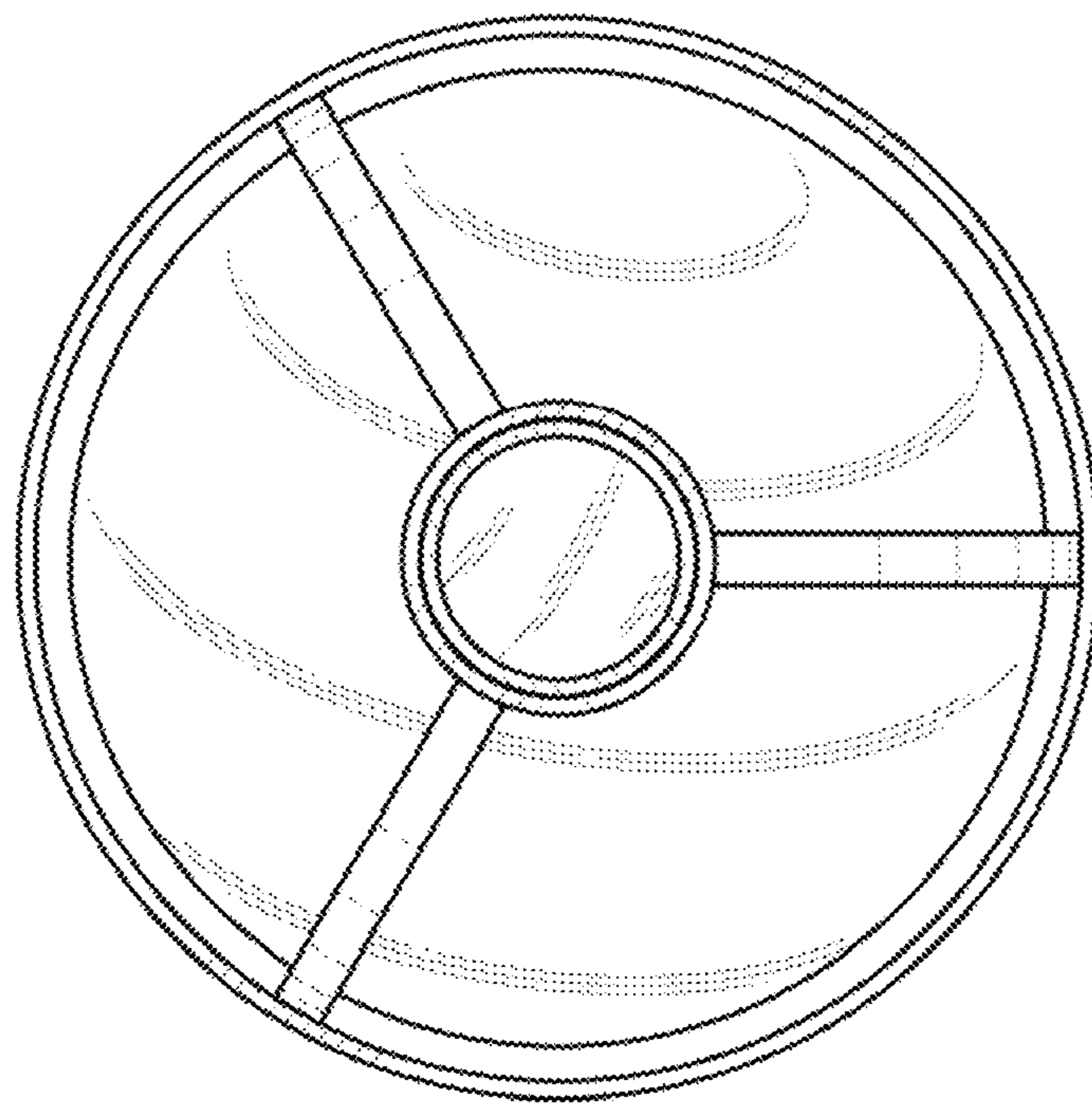


FIG. 7



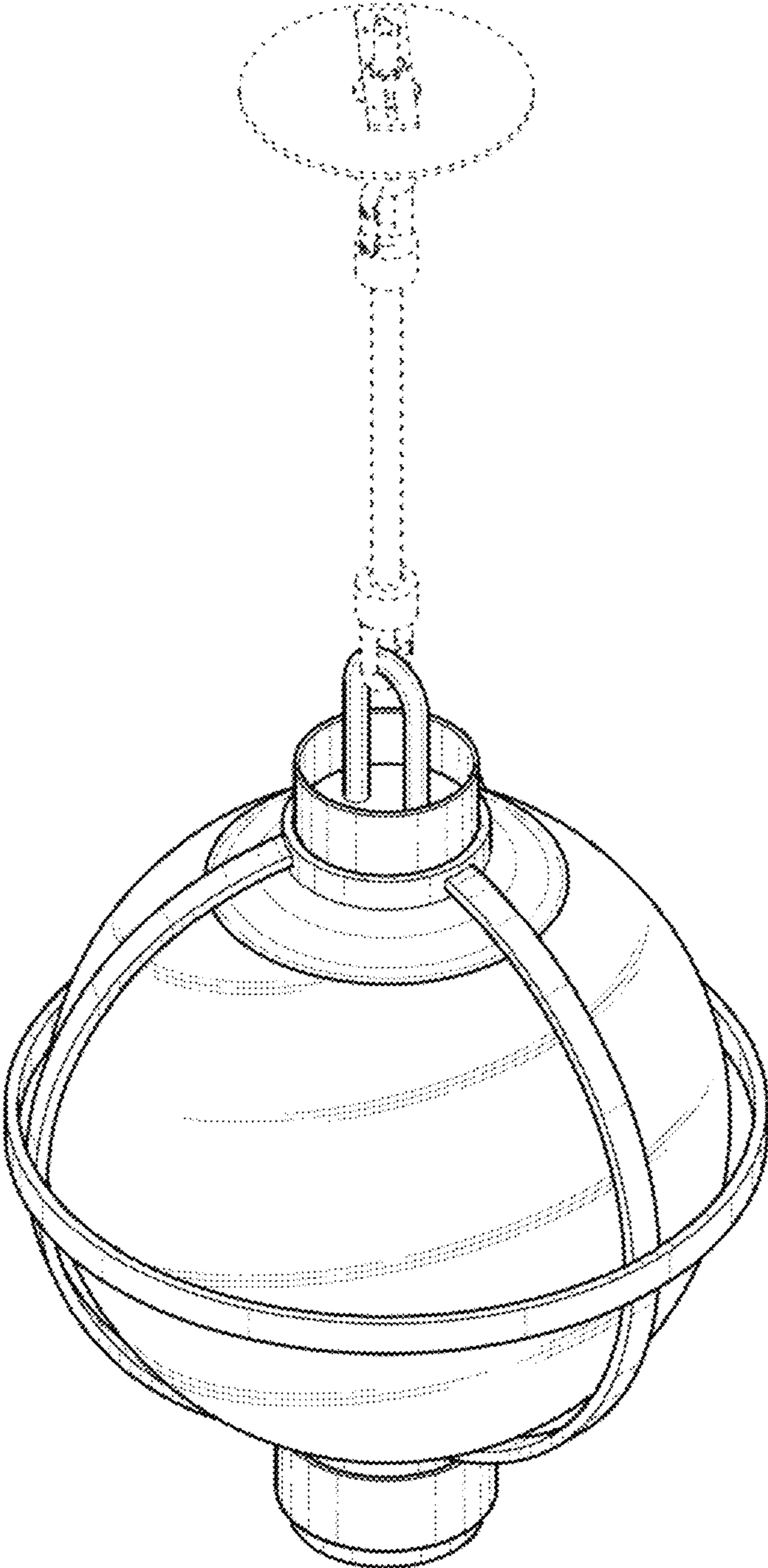


FIG. 8