



US00D805236S

(12) **United States Design Patent** (10) **Patent No.:** **US D805,236 S**
Exley (45) **Date of Patent:** **** Dec. 12, 2017**

(54) **SOLAR POWERED LIGHT**
(71) Applicant: **Ontel Products Corporation**, Fairfield, NJ (US)
(72) Inventor: **Ross Exley**, Morristown, NJ (US)
(73) Assignee: **Ontel Products Corporation**, Fairfield, NJ (US)
(**) Term: **15 Years**
(21) Appl. No.: **29/583,856**
(22) Filed: **Nov. 9, 2016**
(51) **LOC (10) Cl.** **26-03**
(52) **U.S. Cl.**
USPC **D26/85**
(58) **Field of Classification Search**
USPC D26/67, 72, 85, 87, 92; D10/106.6, D10/106.8
CPC F21S 8/03; F21S 8/033; F21S 8/036; F21S 8/037; F21S 9/022; F21S 9/024; F21S 9/03; F21S 9/035; F21S 9/037; F21W 2131/107
See application file for complete search history.

2014/0177228 A1* 6/2014 Ellingson F21V 29/004 362/294
2015/0167936 A1* 6/2015 Yong F21V 29/83 362/190

OTHER PUBLICATIONS

MPOW Sensor Lights <http://xmpow.com/category/34>.
MPOW Solar Powerd Wireless LED Security Motion Sensor <http://xmpow.com/product/62>.
Amazon.com Mpow Solar Powerd Wireless Bright 4 LED Security Motion Sensor Light <http://www.amazon.com/gp/product/B00NBX8DNO?tag=peoheatip20>.
Amazon.com CrazyFire® 4th.Generation 12 LEDs Solar Powered PIR Motion Sensor Light http://www.amazon.com/CrazyFire%C2%AE4thGenerationPoweredWaterproofWireless/dp/B00XU9K9NQ/ref=sr_1_48?tag=slickdeals&ascsubtag=63ae...

(Continued)

Primary Examiner — Clare E Hefflin
(74) *Attorney, Agent, or Firm* — John S. Artz; Dickinson Wright PLLC

(57) **CLAIM**

The ornamental design for a solar powered light, as shown and described.

(56) **References Cited**

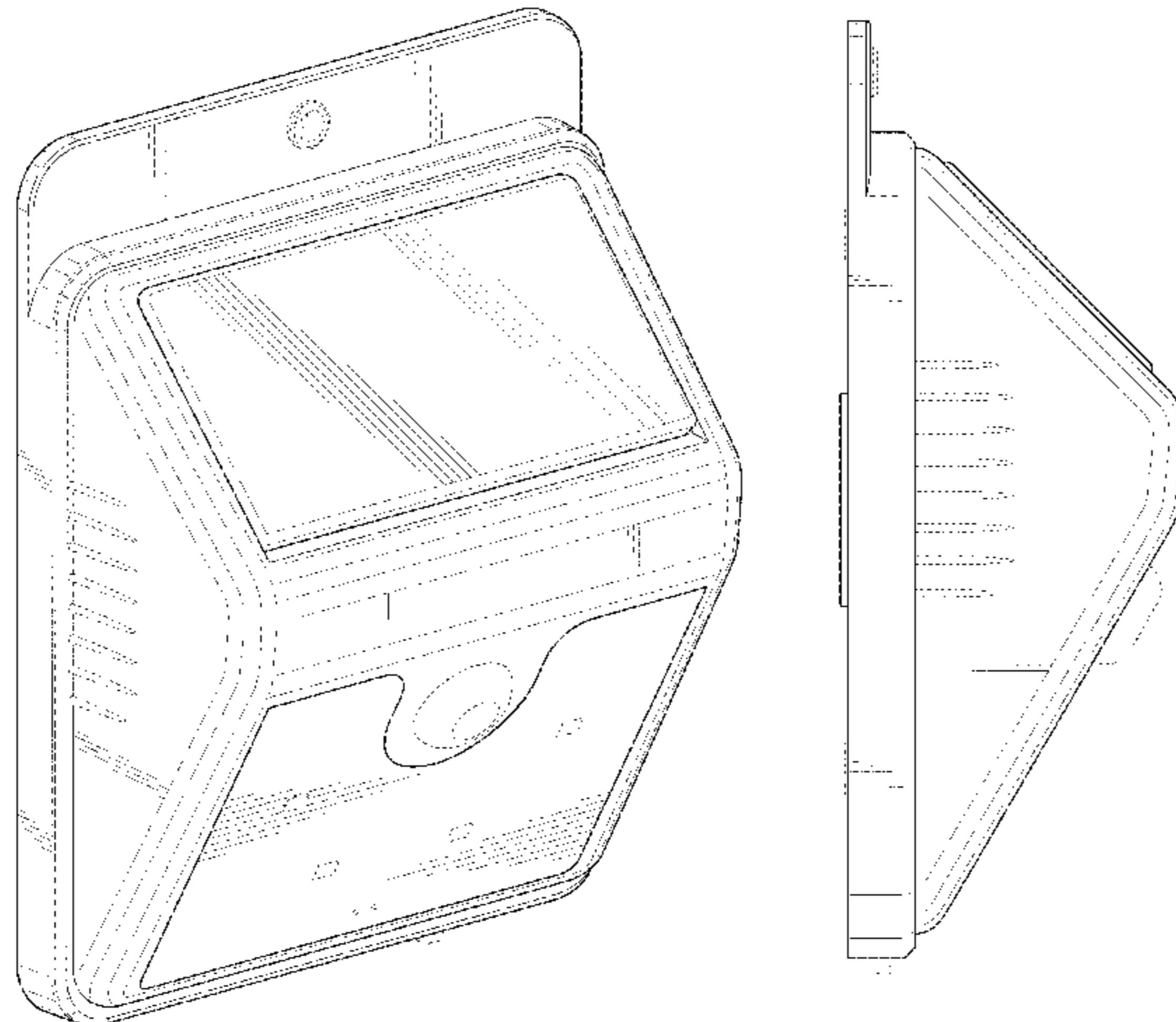
U.S. PATENT DOCUMENTS

D217,037 S * 3/1970 Weinstock D10/106.6
D228,667 S * 10/1973 Anderson, Jr. D26/71
D279,871 S * 7/1985 Guscott D10/106.6
4,939,359 A * 7/1990 Freeman G01V 8/10 250/221
5,036,443 A 7/1991 Humble et al.
5,217,296 A 6/1993 Tanner et al.
D339,079 S * 9/1993 Behlke D10/106.6
5,598,066 A 1/1997 Wiesemann et al.
D535,775 S * 1/2007 Lueken D26/67
D627,916 S * 11/2010 Butteris D26/85
D691,319 S * 10/2013 Guercio D26/85
D753,331 S * 4/2016 Gough D26/85
D791,994 S * 7/2017 Liu D10/106.8
2009/0034242 A1* 2/2009 Engel F21S 8/033 362/147

DESCRIPTION

FIG. 1 is a perspective view of a solar powered light; FIG. 2 is a front view of the solar powered light of FIG. 1; FIG. 3 is a left side view of the solar powered light of FIG. 1; FIG. 4 is a right side view of the solar powered light of FIG. 1; FIG. 5 is a back view of the solar powered light of FIG. 1; FIG. 6 is a top view of the solar powered light of FIG. 1; and, FIG. 7 is a bottom view of the solar powered light of FIG. 1. The broken lines shown on the drawings depict portions of the solar powered light that form no part of the claimed design.

1 Claim, 7 Drawing Sheets



(56)

References Cited

OTHER PUBLICATIONS

Crazytire 8 LED Solar Lights Waterproof LED Garden Lights Outdoor Path Wall Lamp | eBay http://www.ebay.com/itm/Crazyfire8LEDSolarLightsWaterproofLedGardenLightsOutdoorPathWalllamp/252086&47613?_trksid=p2141725.c100338.m...
 Amazon.com : Frostfire Bright LED Wireless Solar Powered Motion Sensor Light <http://www.amazon.com/FrostfireBrightWirelessPoweredMotion/dp/B00CYA1PGC>.
 Amazon.com : Lepower S3 [3rd Generation] http://www.amazon.com/GenerationLEPOWERBrighterWirelessSecurity/dp/B00X5M1E6Y/ref=pd_sim_86_6ie=UTF8&dpID=51tT%2B53awL&dpSrc=si...
 Amazon.com : SolartronX 10 LED Motion Sensor Solar Light. <http://www.amazon.com/OutdoorDetectorOutdoorInternalIncluded/dp/B00VSX91S8>.

SolartronX—Everything Solar Powered <http://solartronx.com/product/10ledmotionsensorsolarlightdusictodawnsecuritylightingforoutdoorsidealforwalkwaygardenyarddeckpatiofencea...>
 Swiftly Done Bright Outdoor LED Light—Peel 'n Stick Lighting—Black <http://swiftlydone.com/product/peelnsticklightningblack/>.
 Walmart.com: New 2 Pack Solar Outdoor Garden Wireless PIR Motion Sensor Security LED Light <http://www.walmart.com/ip/43458436?wmlspartner=wlp&adid=2222222227031312163&wl0=&wl1=g&wl2=c&wl3=56061824576&wl4=&wl5=pla&wl6=10014...>
 Hallomall (3 Pack) Upgrade version 6 Led Wireless Solar Motion Sensor Lights <http://www.duckdeals.com/hallomall%E2%84%A2>.
 Amazon.com—Solar Motion Sensor Light, Innoo Tech Solar Powered Waterproof Wireless Security 12 LEDs http://www.amazon.com/InnooTechWaterproofWirelessSecurity/dp/B0130286K0/ref=pd_sim_86_5?ie=UTF8&dpID=51uluL14p0L&dpSrc=sims&preST=_A...

* cited by examiner

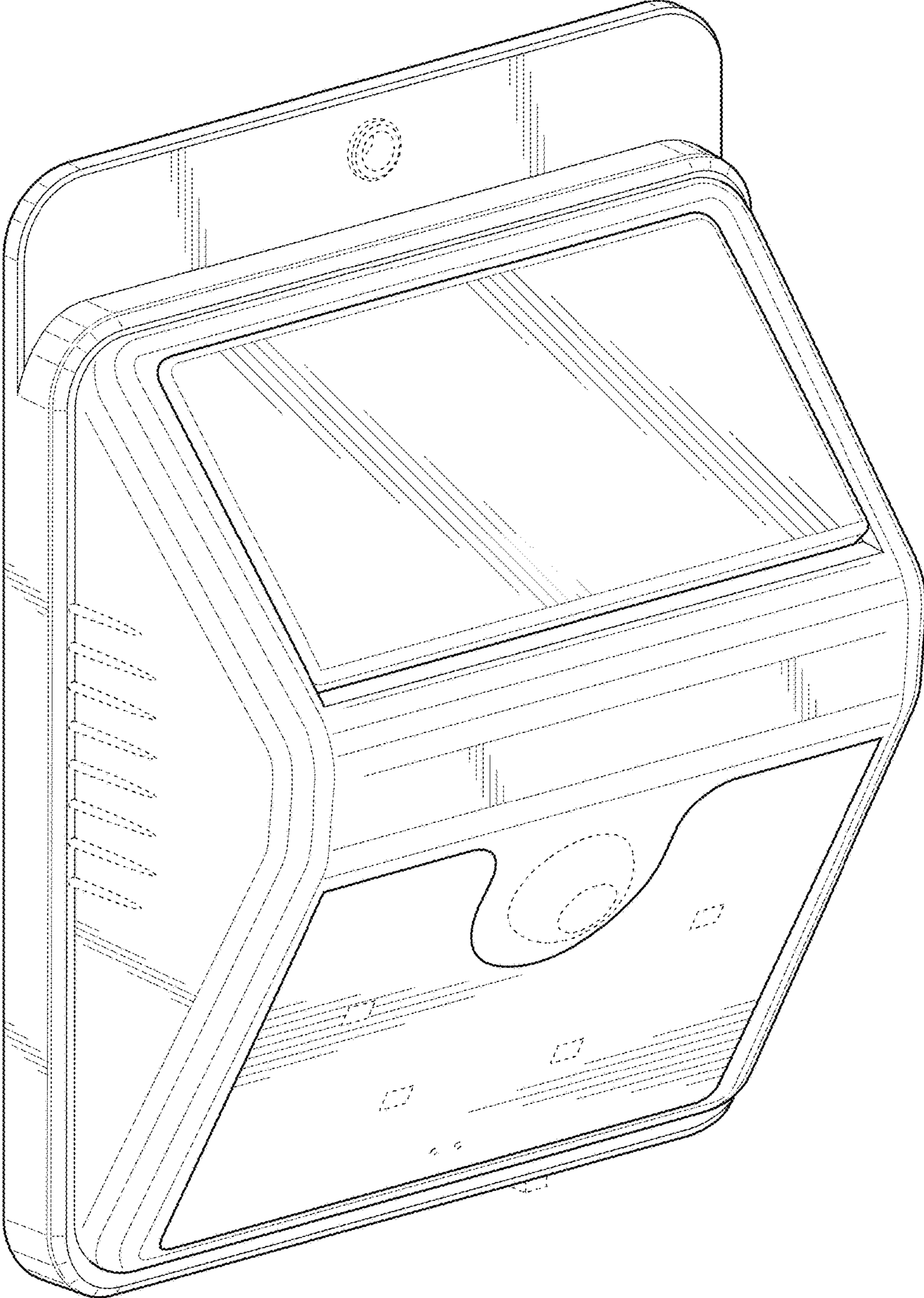


FIG. 1

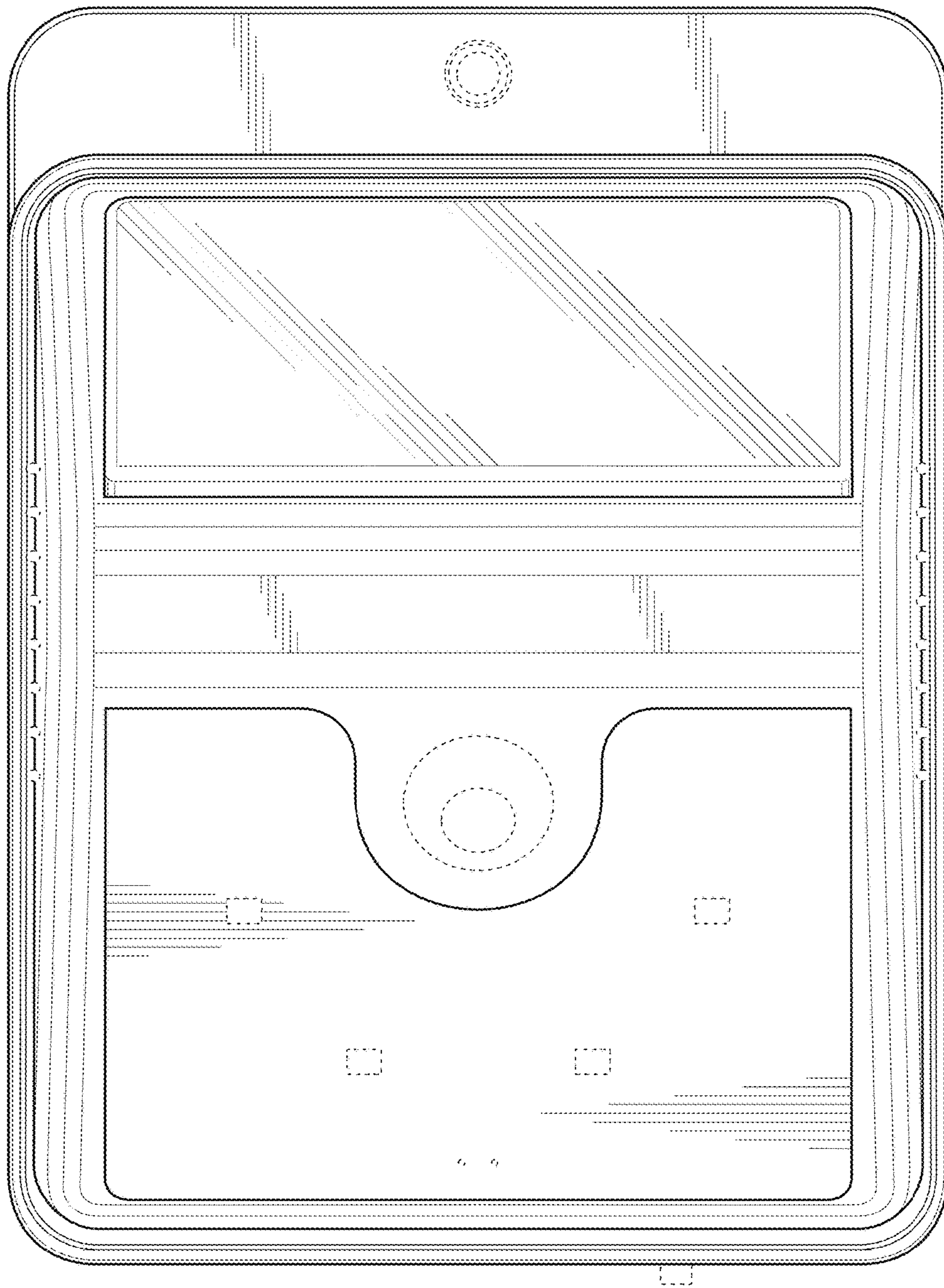


FIG. 2

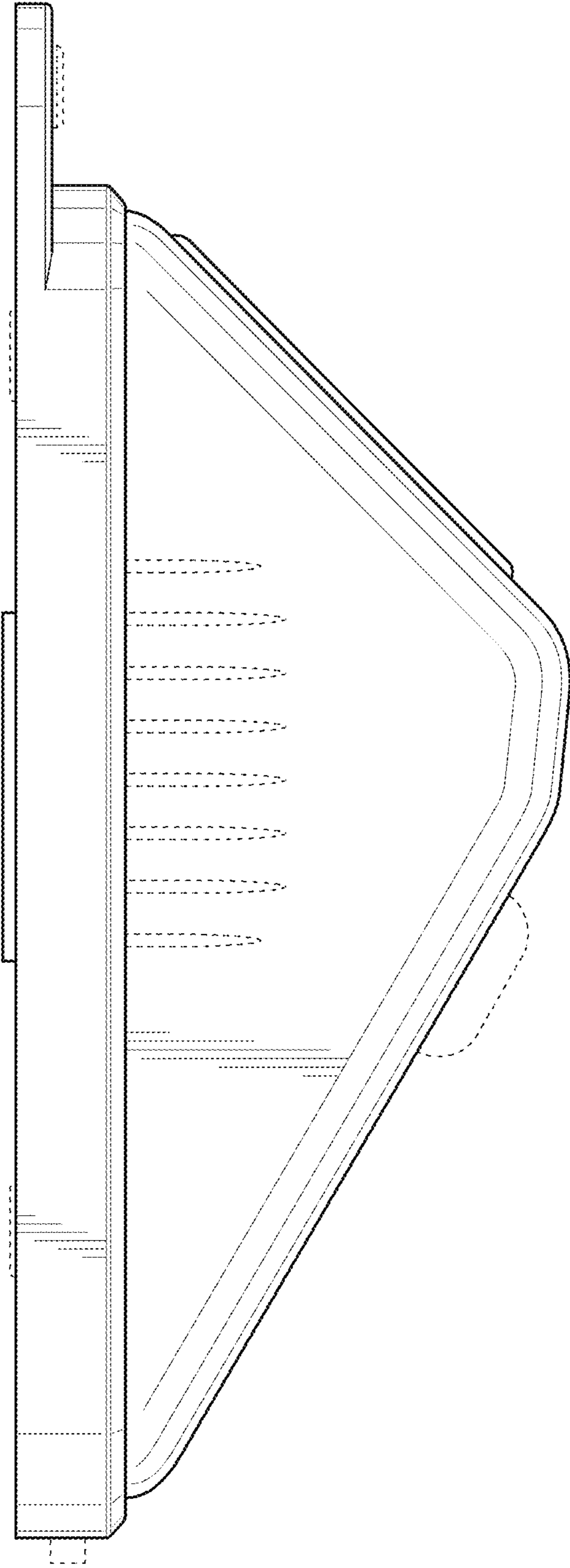


FIG. 3

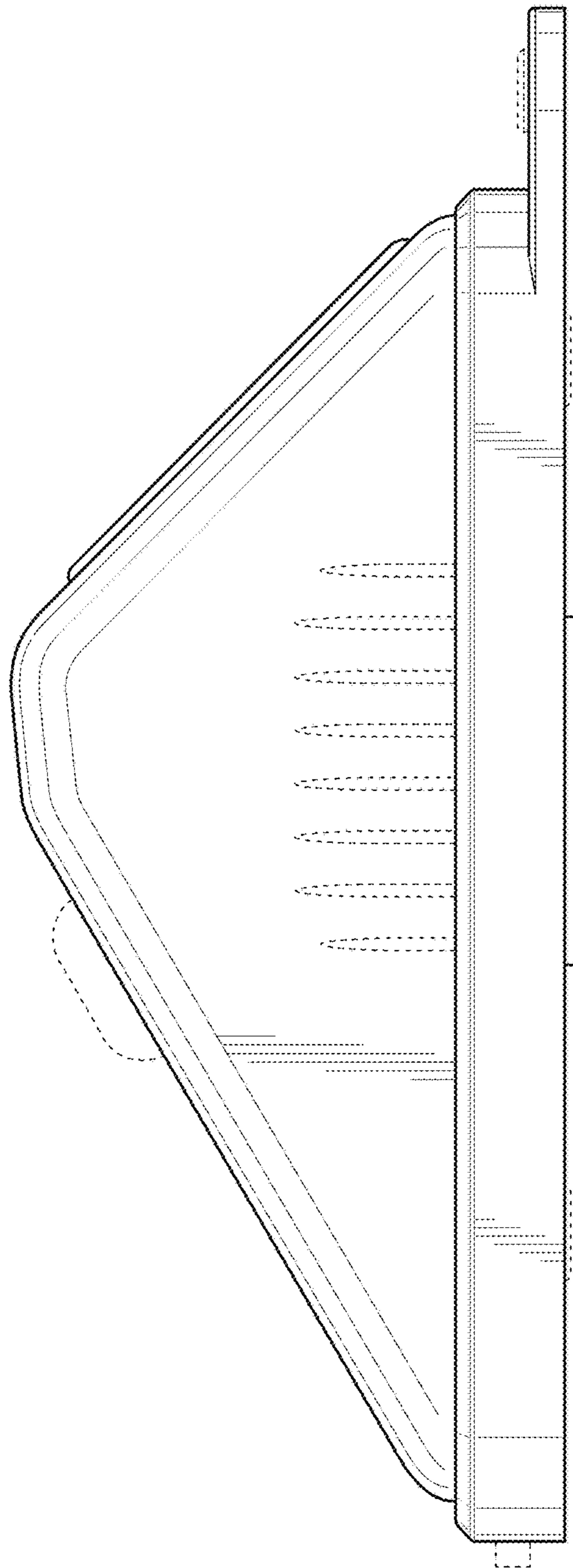


FIG. 4

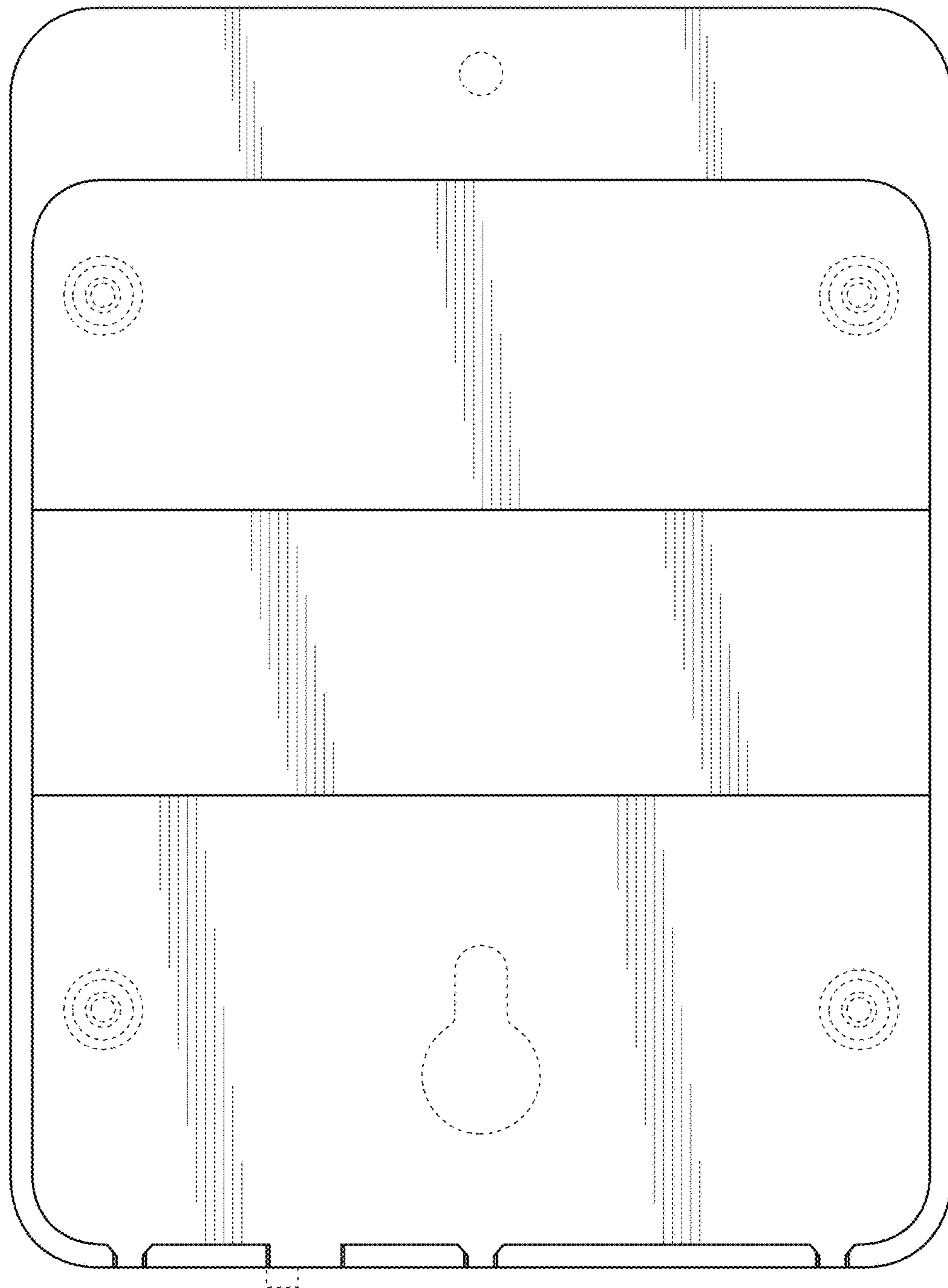


FIG. 5

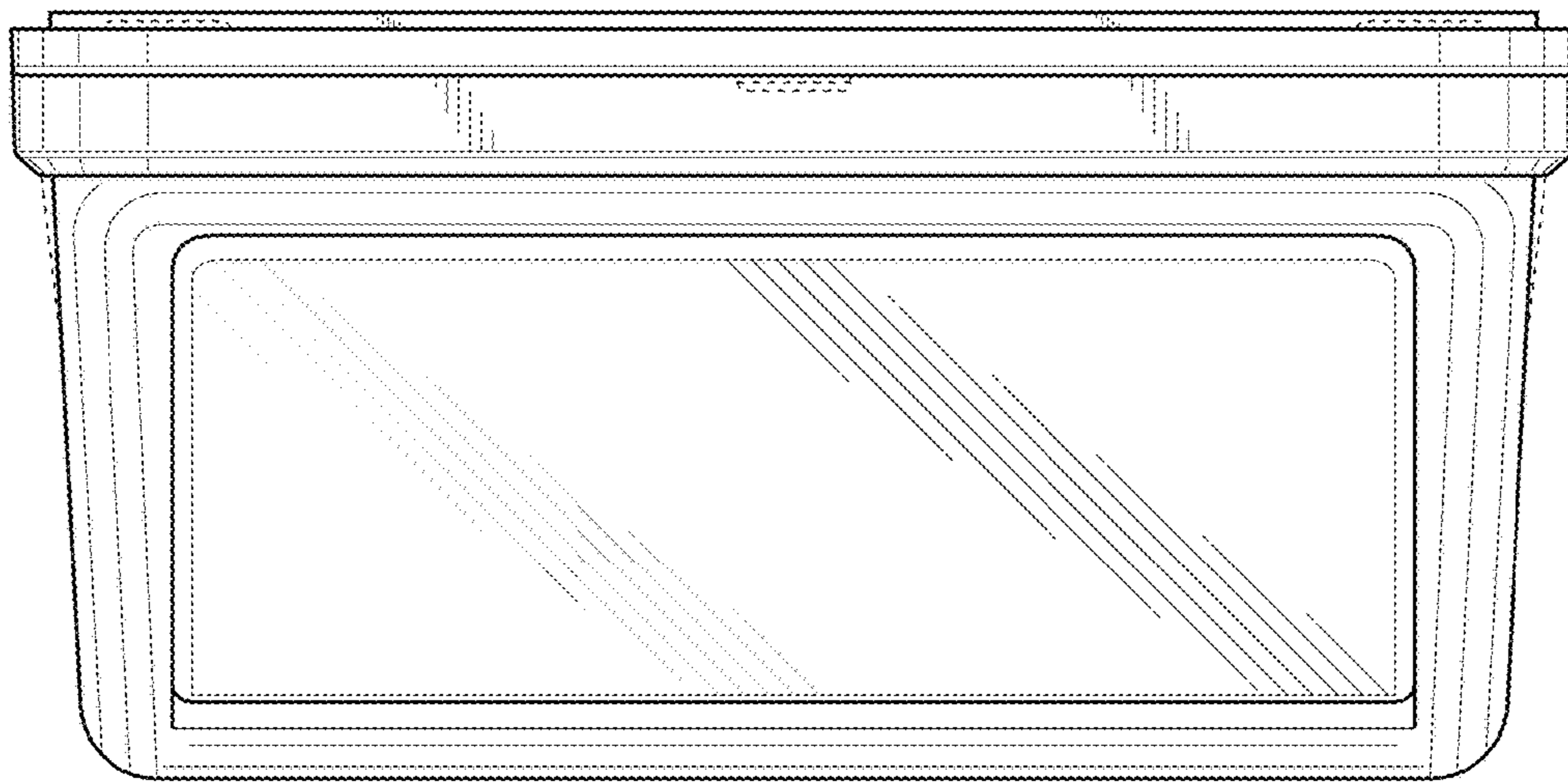


FIG. 6

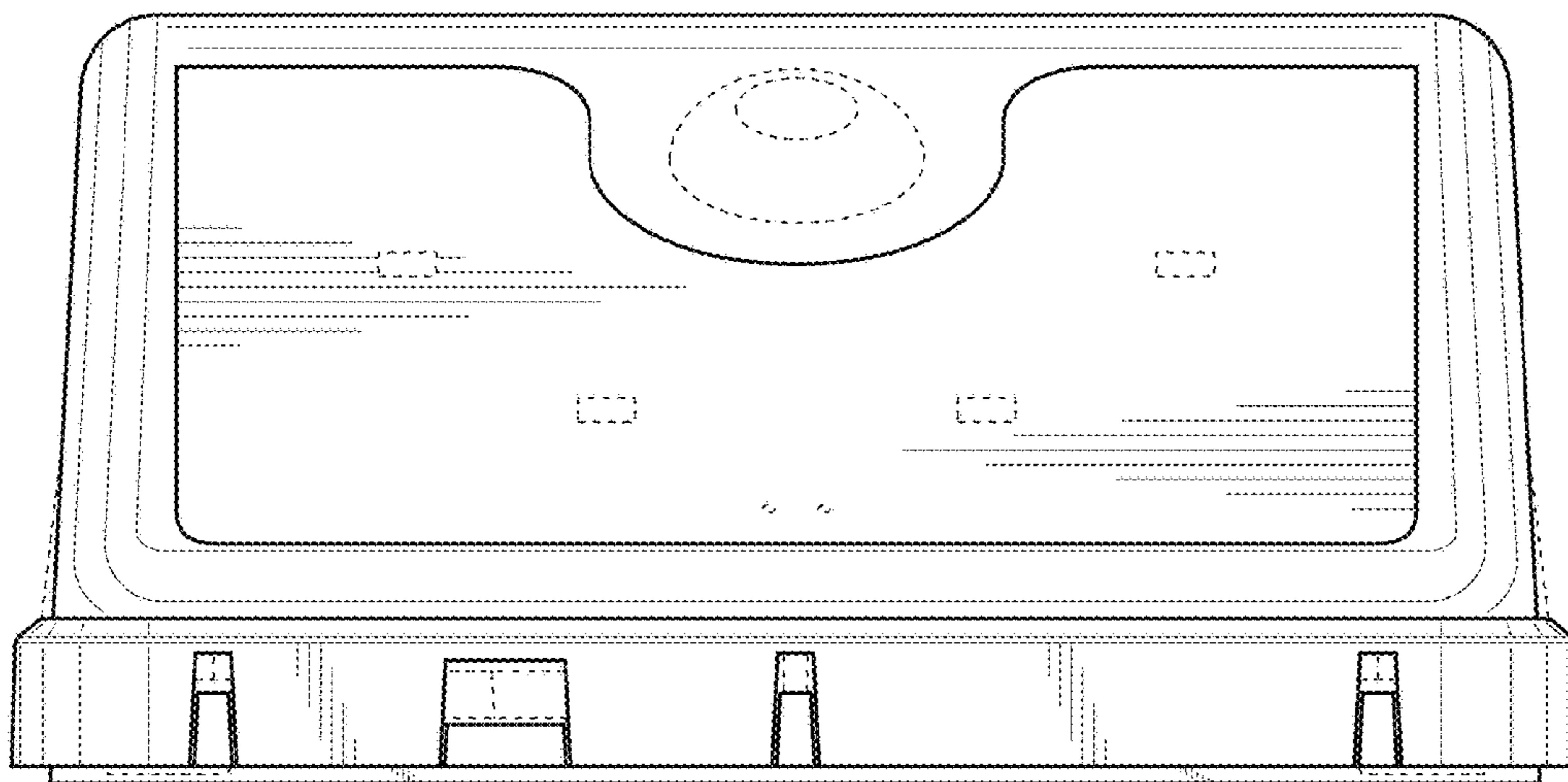


FIG. 7