



US00D805235S

(12) **United States Design Patent** (10) **Patent No.:** **US D805,235 S**
Waldmann (45) **Date of Patent:** **** Dec. 12, 2017**

(54) **LAMP**

Primary Examiner — Mary Ann Calabrese

(71) Applicant: **HERBERT WALDMANN GMBH & CO. KG**, Villingen-Schwenningen (DE)

(57) **CLAIM**

The ornamental design for a lamp, as shown and described.

(72) Inventor: **Gerhard Waldmann**, Stein am Rhein (CH)

DESCRIPTION

(**) Term: **15 Years**

(21) Appl. No.: **35/501,418**

(22) Filed: **Aug. 4, 2016**

(80) **Hague Agreement Data**

Int. Filing Date: **Aug. 4, 2016**

Int. Reg. No.: **DM/092064**

Int. Reg. Date: **Aug. 4, 2016**

Int. Reg. Pub. Date: **Aug. 19, 2016**

(51) **LOC (10) Cl.** **26-05**

(52) **U.S. Cl.**

USPC **D26/76**

(58) **Field of Classification Search**

USPC D26/24, 37, 72, 75, 76, 78-80, 85-87

CPC F21V 1/146; F21V 3/0409; F21V 21/005;

F21V 29/004; F21S 8/00; F21S 8/026;

F21S 8/03; F21S 8/04; F21S 8/046; F21S

8/06

See application file for complete search history.

(56) **References Cited**

U.S. PATENT DOCUMENTS

D192,646 S * 4/1962 Pascucci et al. D26/76

D205,192 S * 7/1966 Shearin D26/51

6,880,952 B2 * 4/2005 Kiraly F21V 29/004

348/131

D633,244 S * 2/2011 Kramer D26/80

D645,193 S * 9/2011 Chung D26/75

D660,498 S * 5/2012 Chung D26/75

D695,443 S * 12/2013 Kaule D26/76

(Continued)

1.-5. Lamps

1.1 : Perspective

1.2 : Front

1.3 : Back

1.4 : Left

1.5 : Right

1.6 : Top

1.7 : Bottom

2.1 : Perspective

2.2 : Front

2.3 : Back

2.4 : Left

2.5 : Right

2.6 : Top

2.7 : Bottom

3.1 : Perspective

3.2 : Front

3.3 : Back

3.4 : Top

3.5 : Bottom

3.6 : Left

3.7 : Right

4.1 : Perspective

4.2 : Front

4.3 : Back

4.4 : Top

4.5 : Bottom

4.6 : Right

4.7 : Left

5.1 : Perspective

5.2 : Front

5.3 : Back

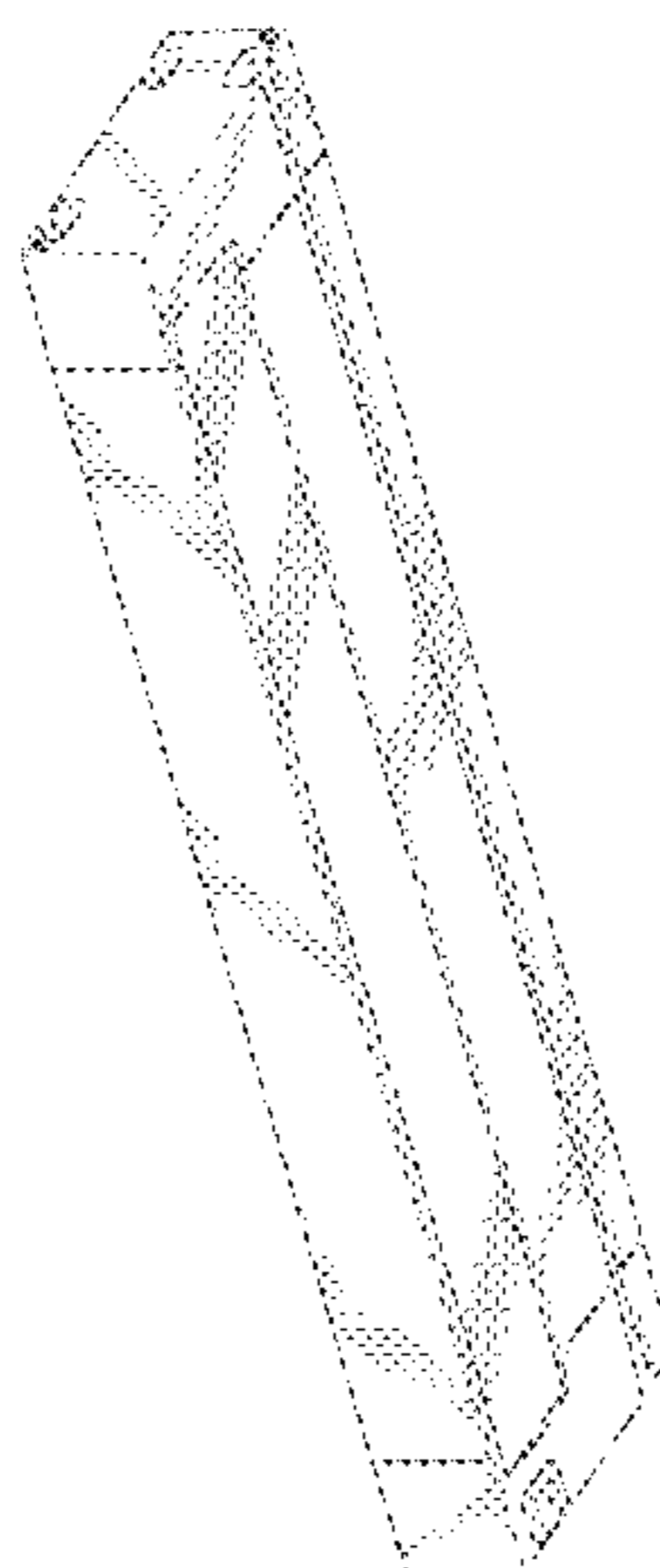
5.4 : Top

5.5 : Bottom

5.6 : Right

5.7 : Left

1 Claim, 35 Drawing Sheets



(56)

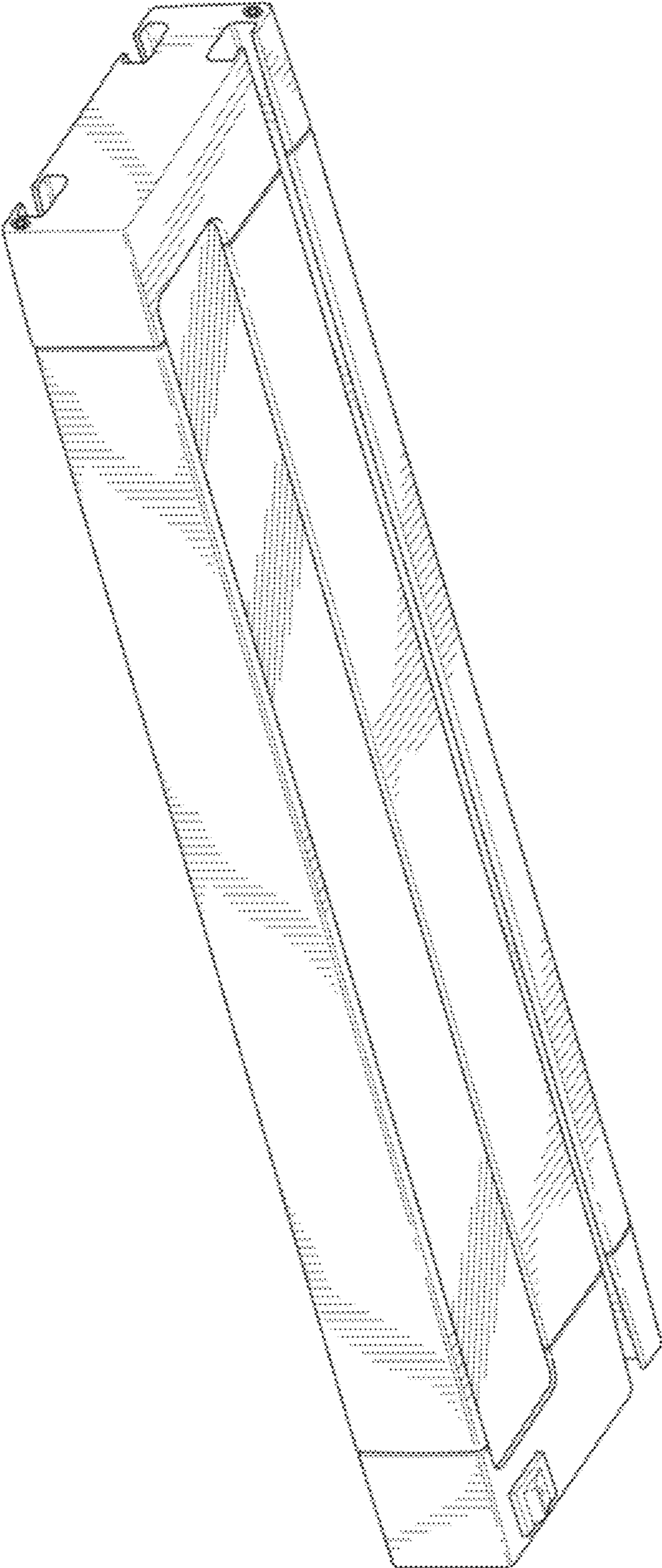
References Cited

U.S. PATENT DOCUMENTS

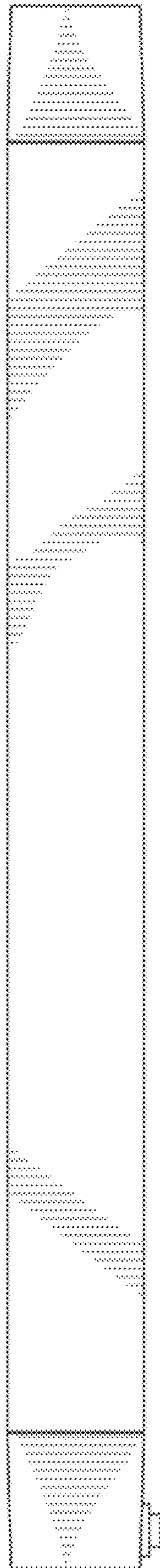
D703,858 S *	4/2014	Miller	D26/76
8,702,264 B1 *	4/2014	Rashidi	F21S 8/026
			362/147
D766,487 S *	9/2016	Cai	D26/76
D791,383 S *	7/2017	Yu	D26/76

* cited by examiner

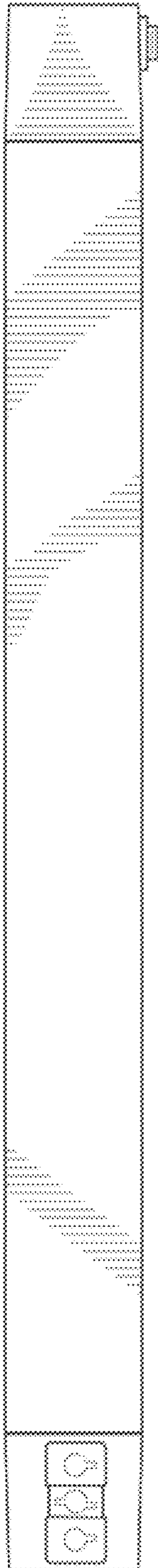
1.1



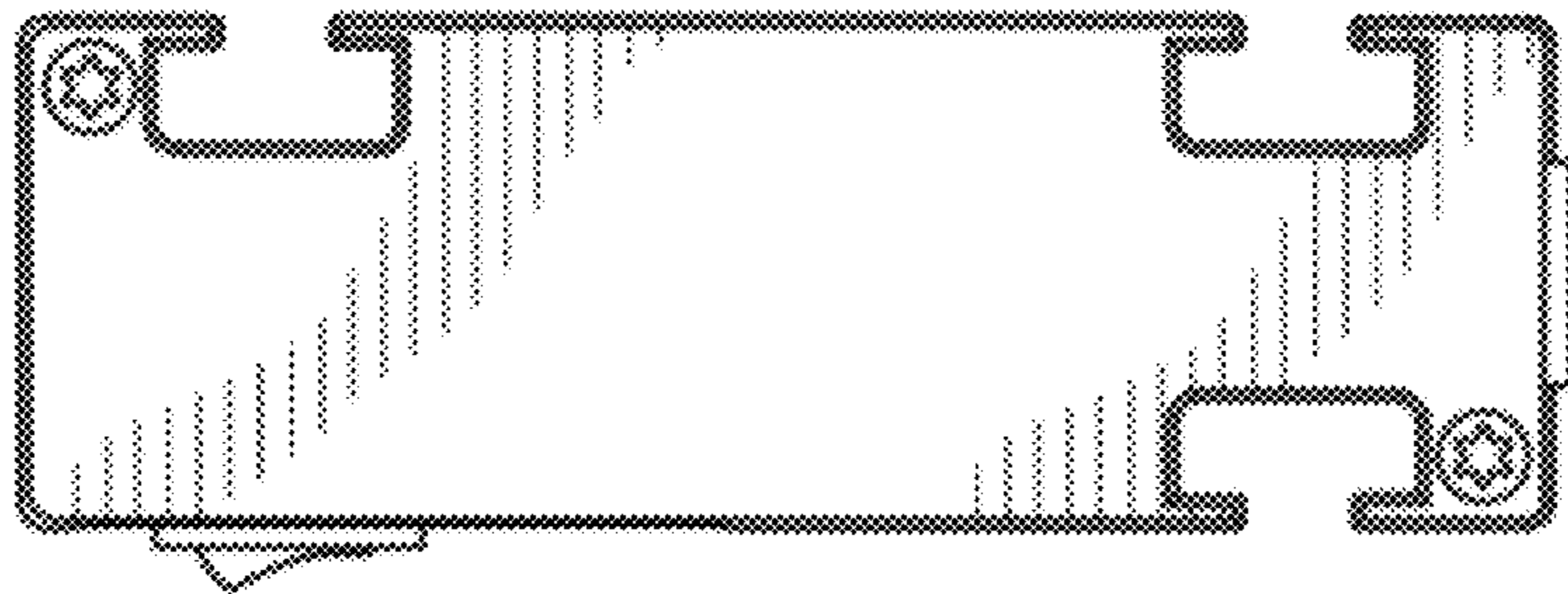
1.2



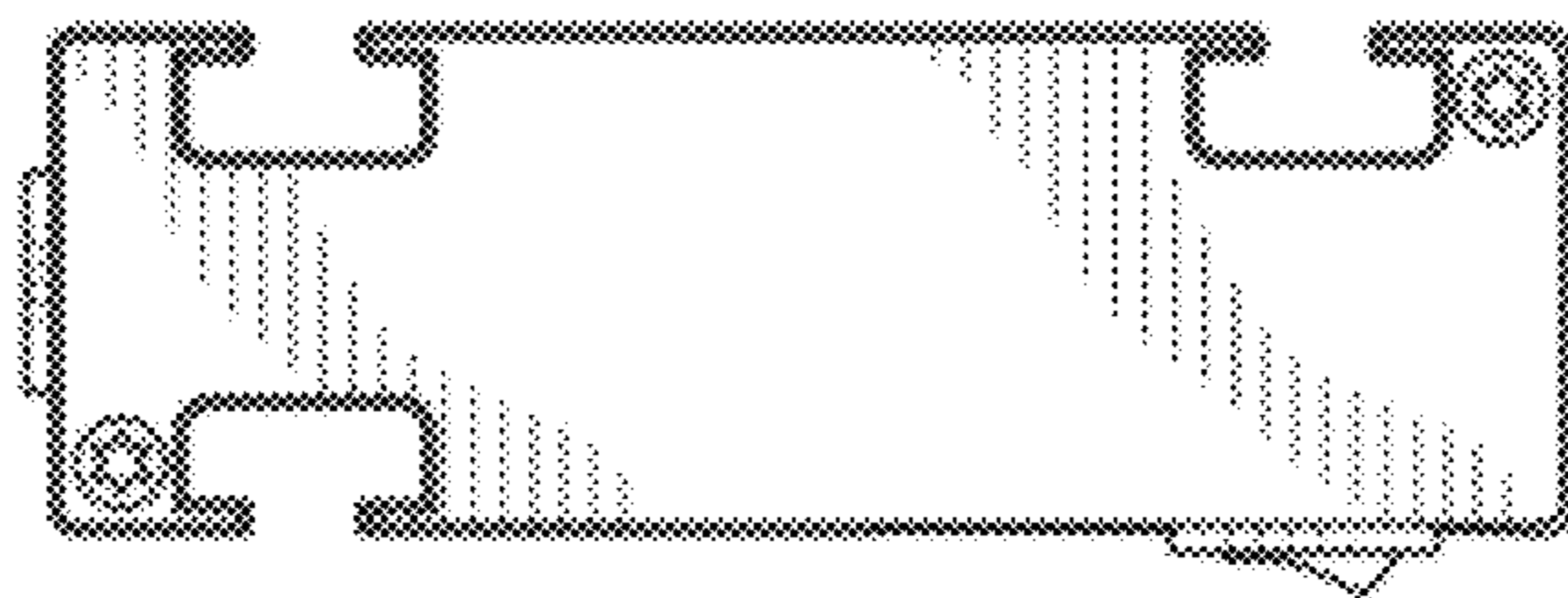
1.3



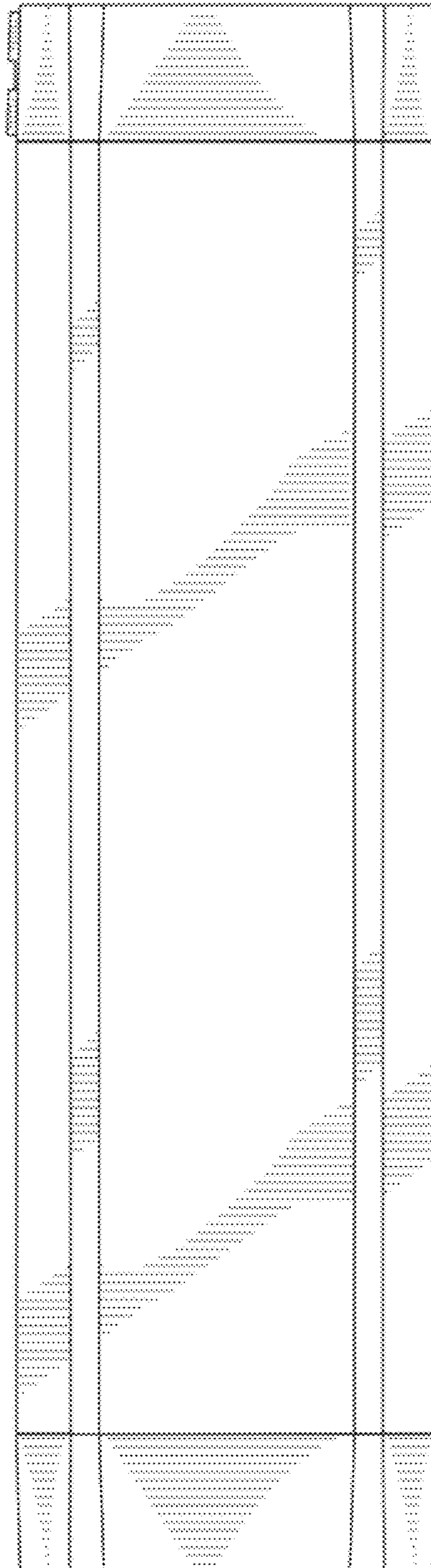
1.4



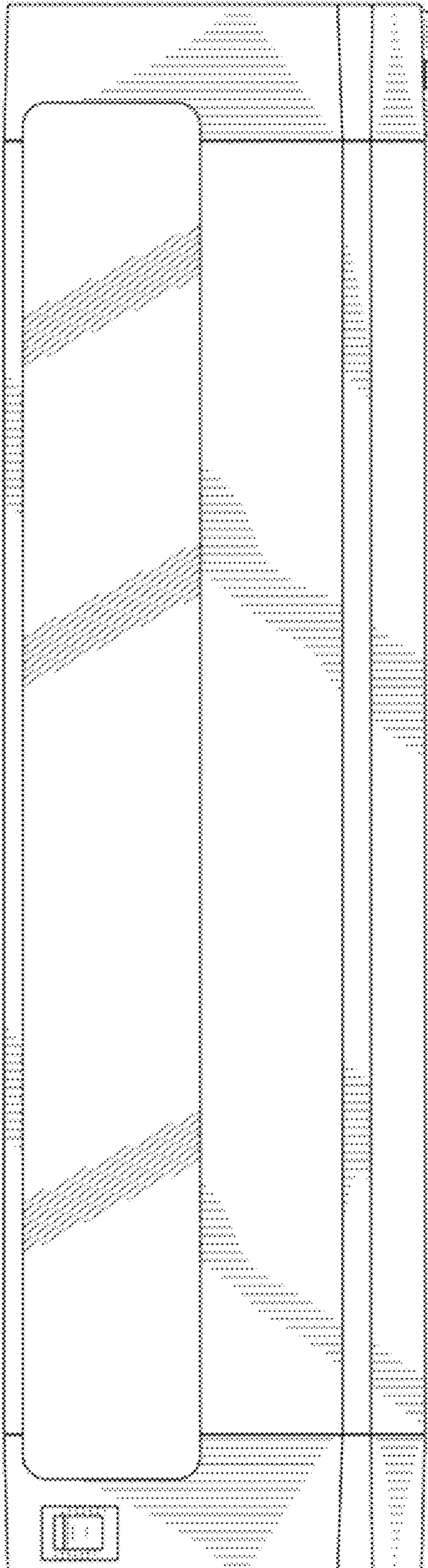
1.5



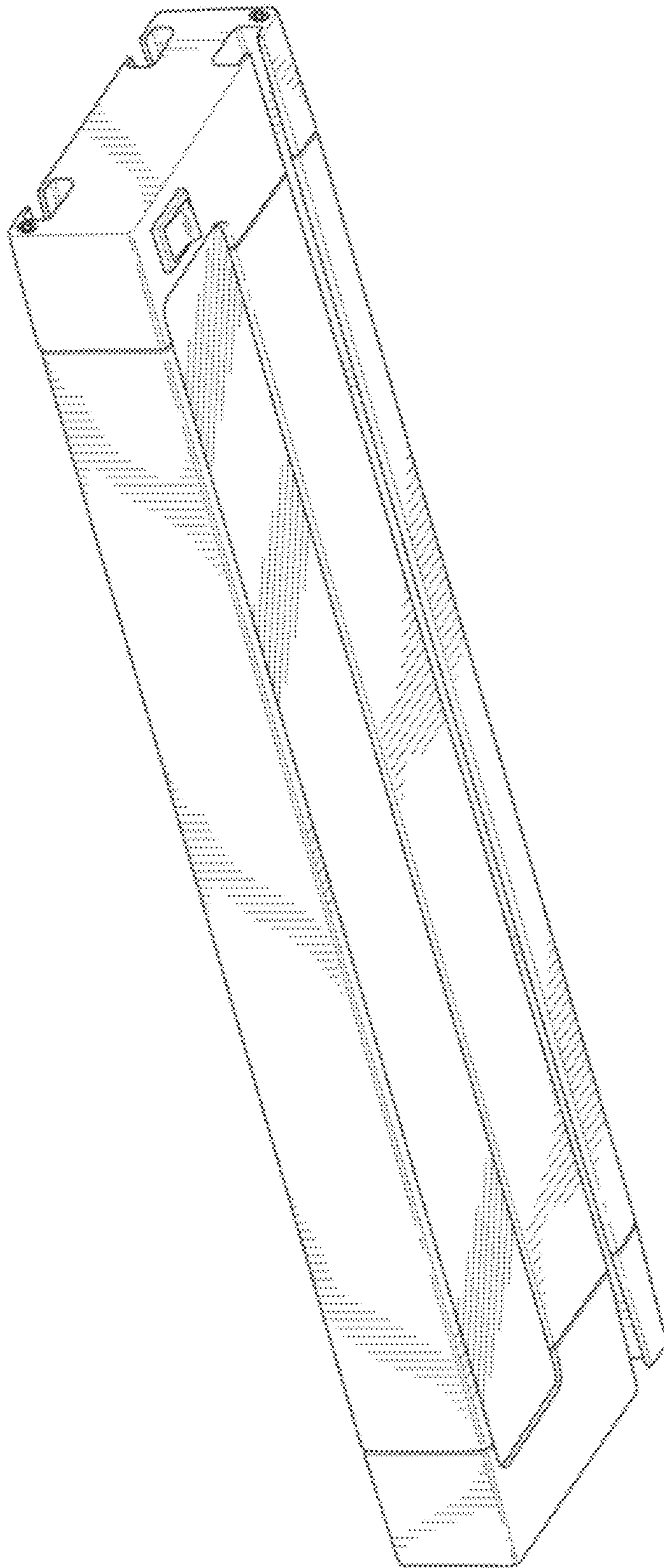
1.6



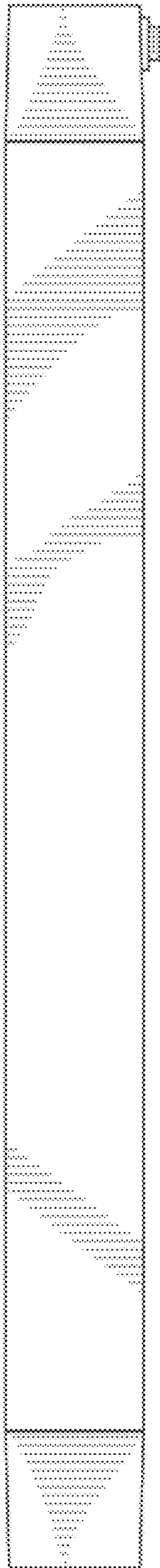
1.7



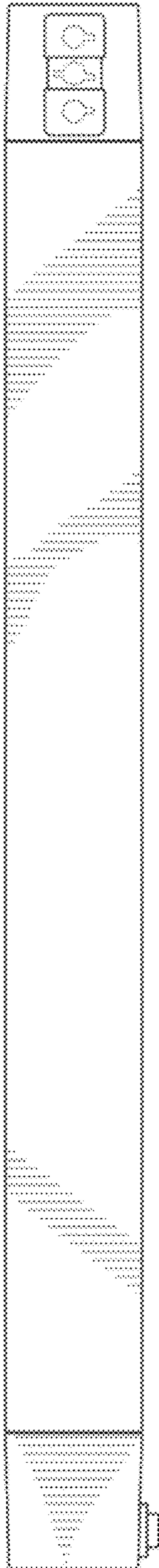
2.1



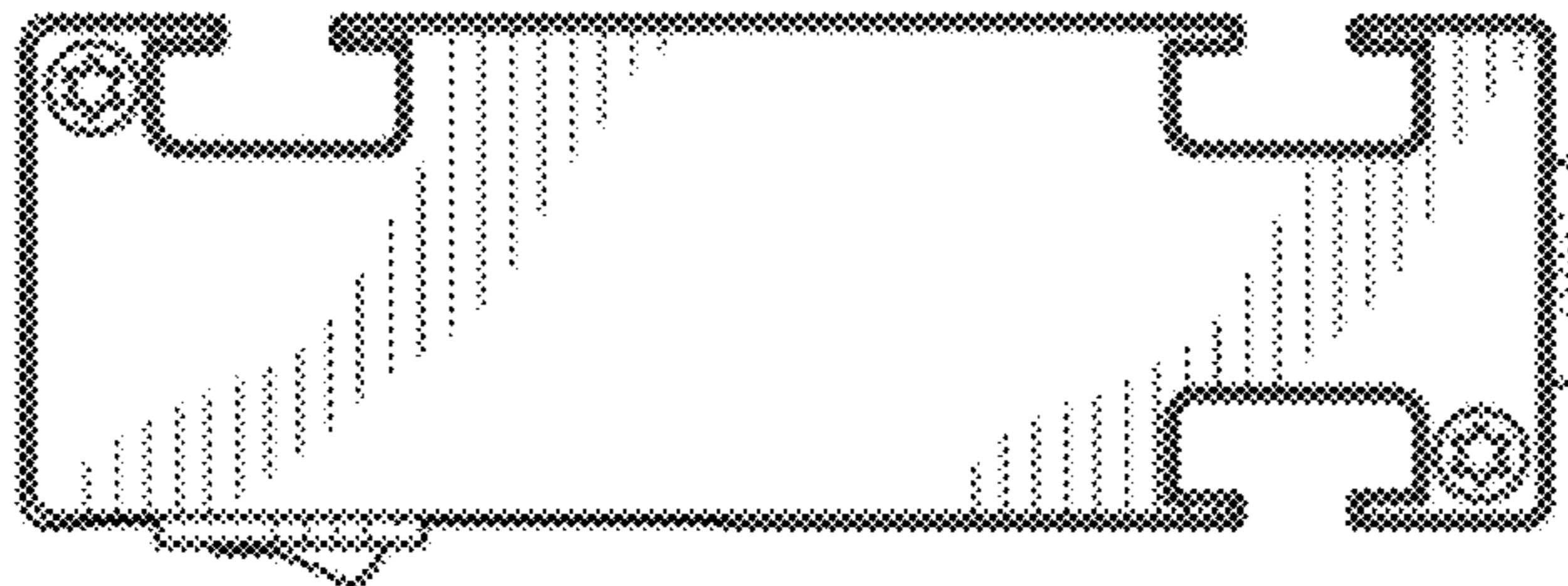
2.2



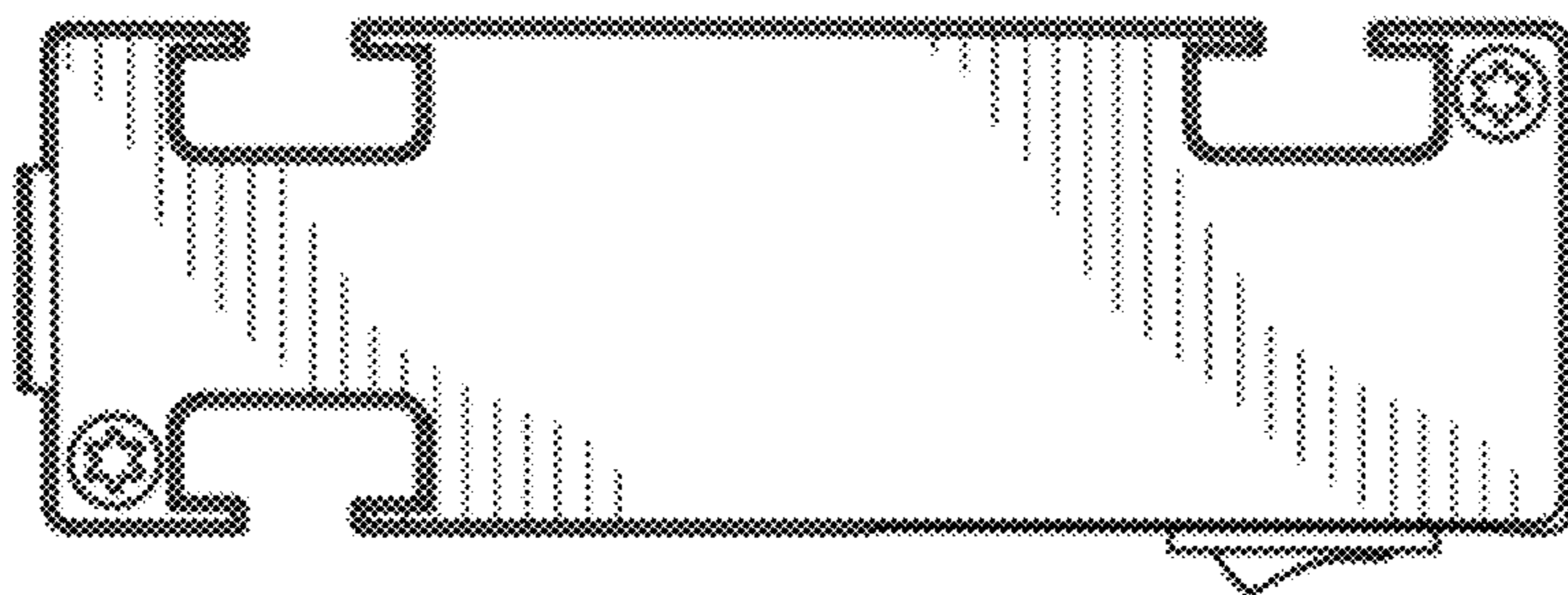
2.3



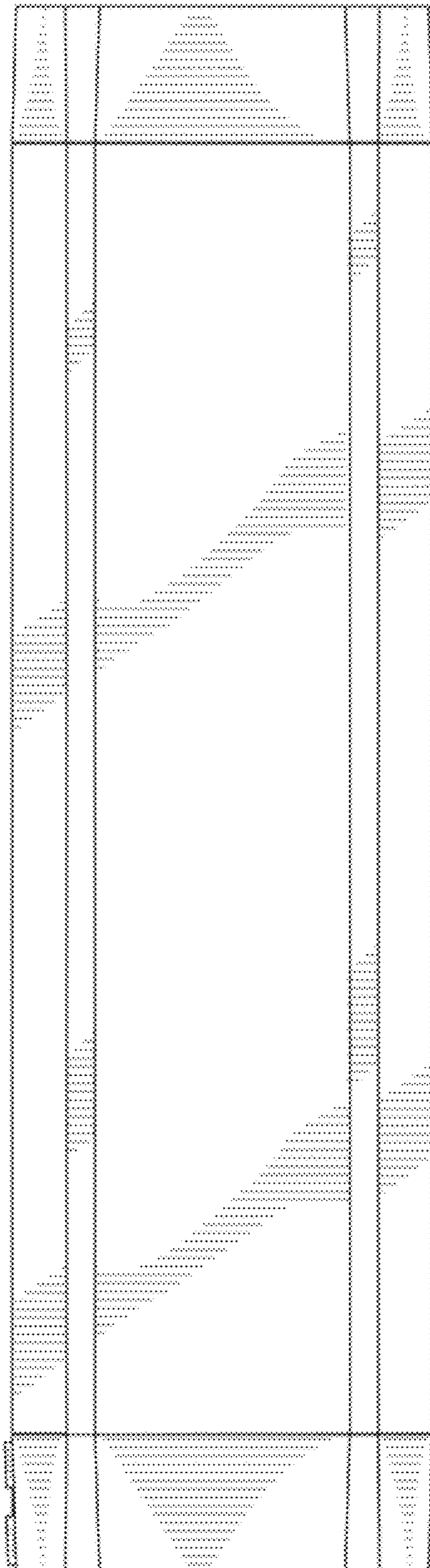
2.4



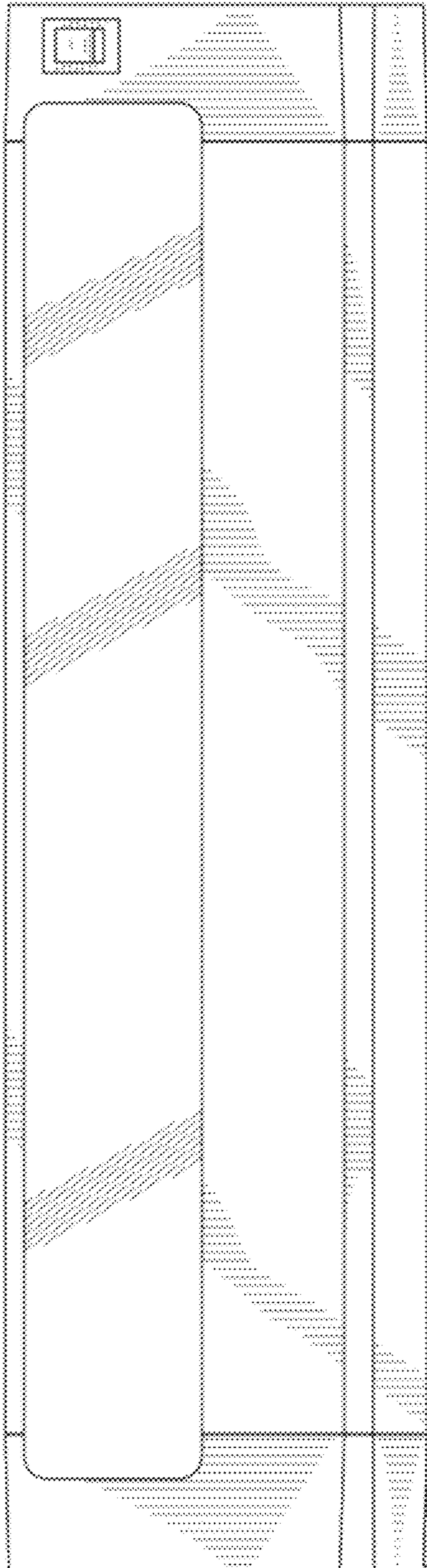
2.5



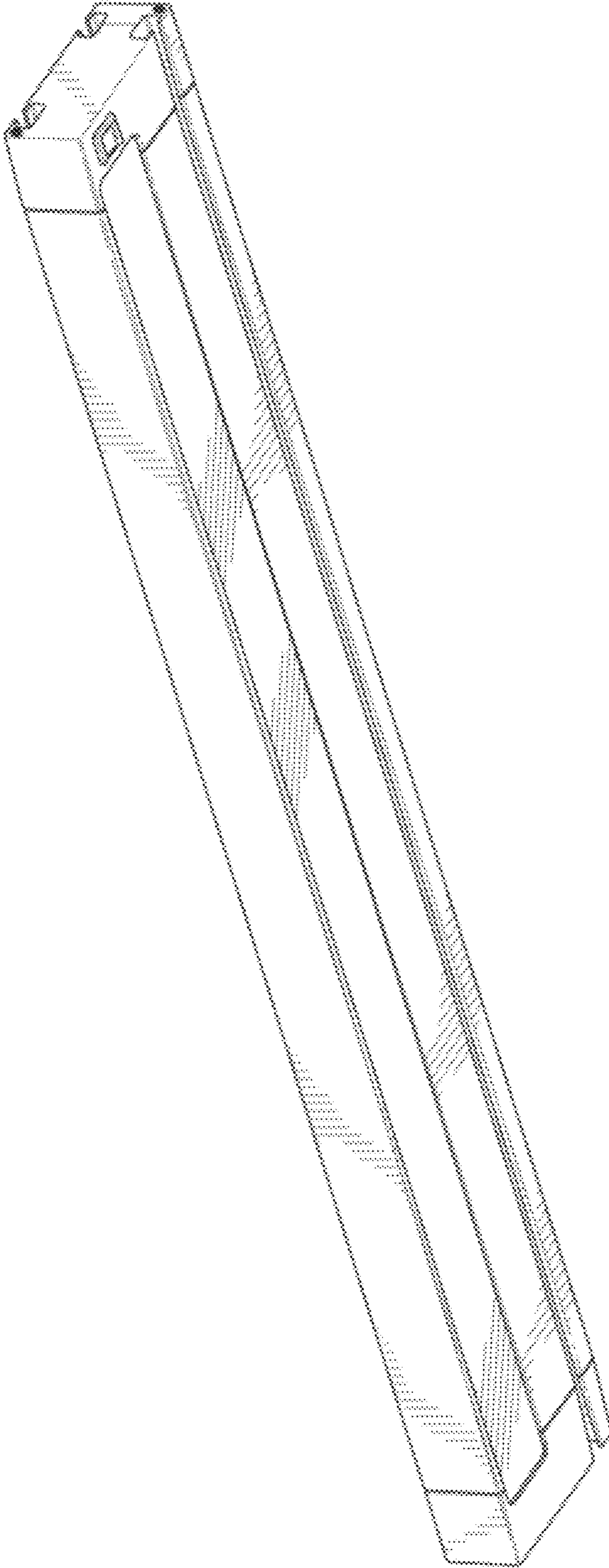
2.6



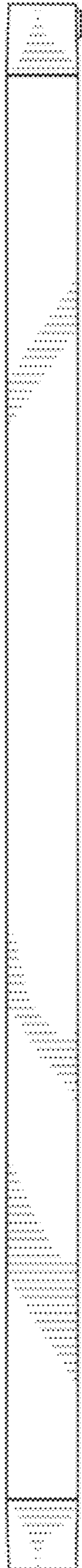
2.7



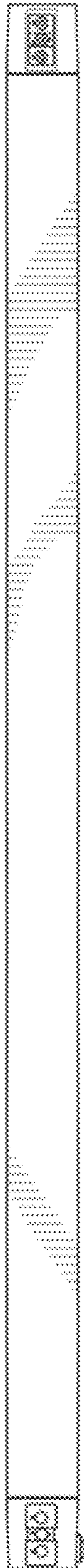
3.1



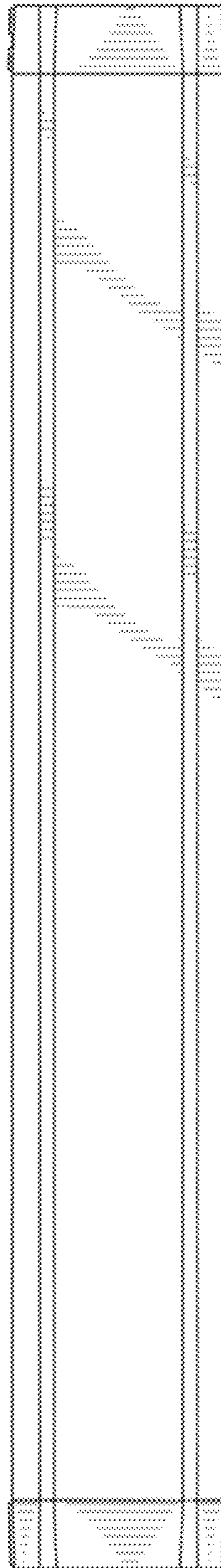
3.2



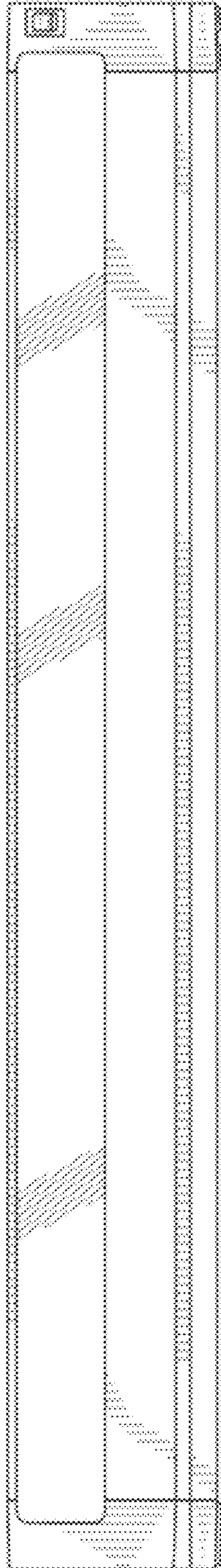
3.3



3.4



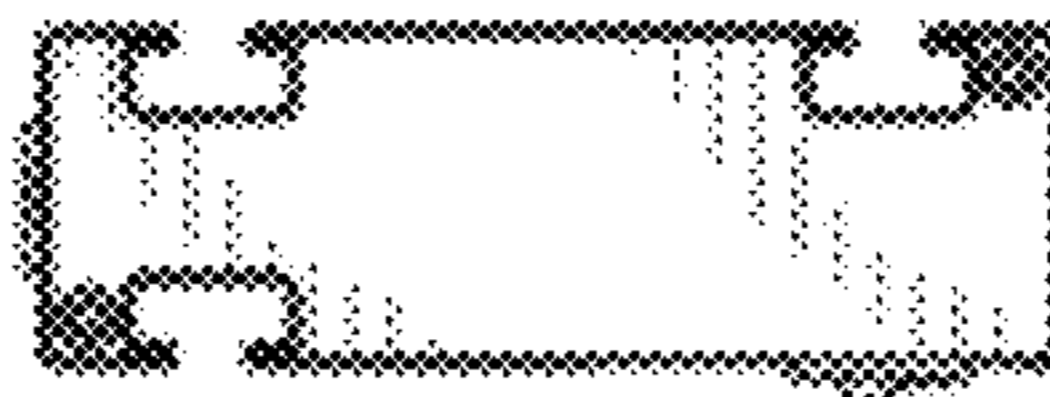
3.5



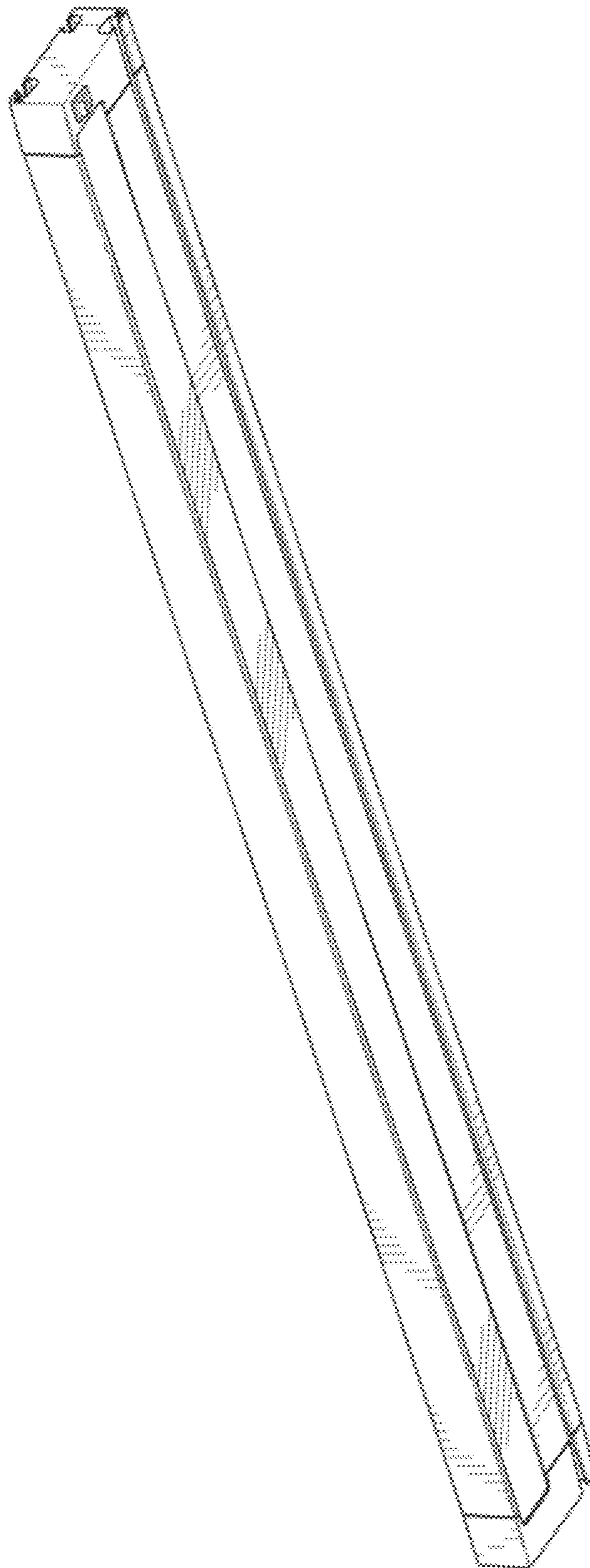
3.6



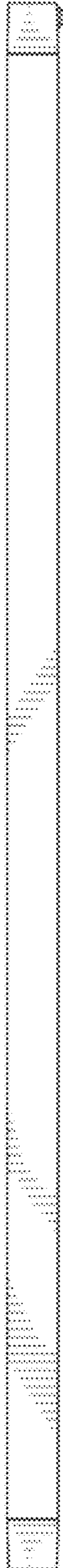
3.7



4.1



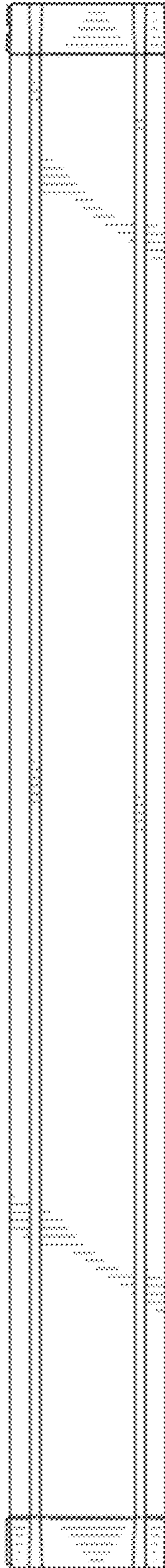
4.2



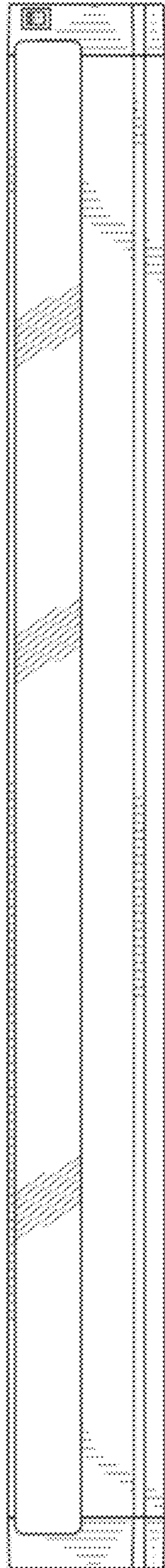
4.3



4.4



4.5



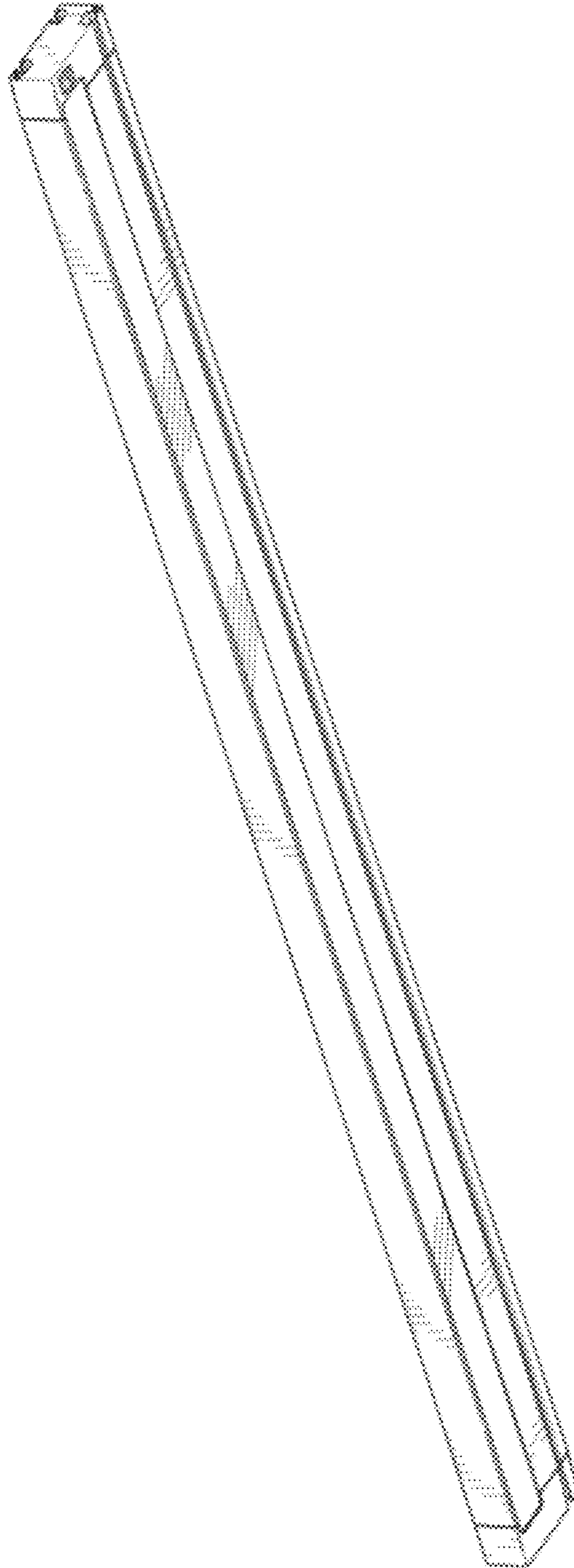
4.6



4.7



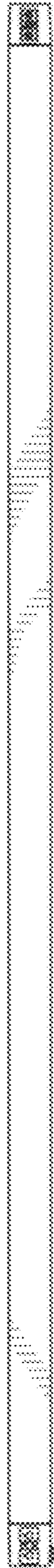
5.1



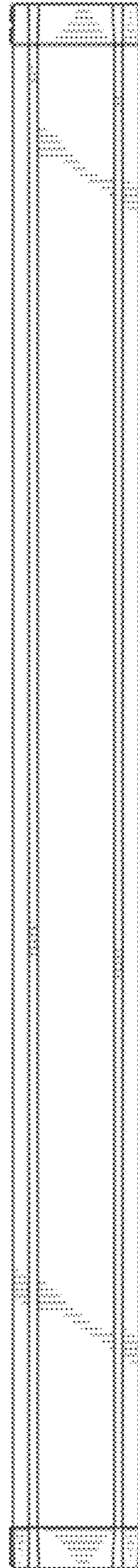
5.2



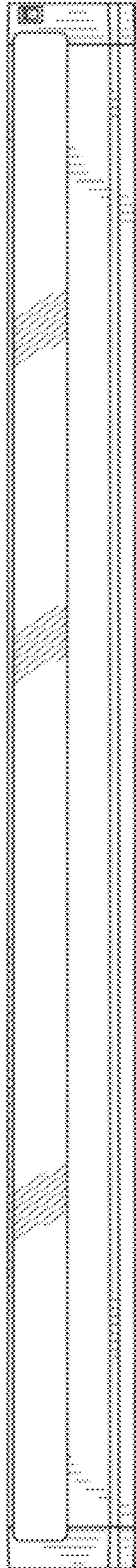
5.3



5.4



5.5



5.6



5.7

