



US00D805234S

(12) **United States Design Patent**  
**Ross et al.**

(10) **Patent No.:** **US D805,234 S**

(45) **Date of Patent:** **\*\* Dec. 12, 2017**

(54) **LUMINAIRE WITH A CONTINUOUS LENS**

(71) Applicants: **Alexander James Ross**, Aurora, CO (US); **Brett Alan Guhde**, Aurora, CO (US); **Kevin Andrew Strickfaden**, Denver, CO (US)

(72) Inventors: **Alexander James Ross**, Aurora, CO (US); **Brett Alan Guhde**, Aurora, CO (US); **Kevin Andrew Strickfaden**, Denver, CO (US)

(73) Assignee: **Cooper Technologies Company**, Houston, TX (US)

(\*\*) Term: **15 Years**

(21) Appl. No.: **29/584,145**

(22) Filed: **Nov. 11, 2016**

(51) **LOC (10) Cl.** ..... **26-04**

(52) **U.S. Cl.**  
USPC ..... **D26/76**

(58) **Field of Classification Search**  
USPC ..... D26/76, 78, 79, 80, 81, 82, 83, 85, 86, D26/88, 90, 113, 118, 119, 120, 121, 122, D26/138, 139, 140, 141, 142  
CPC ..... F21S 2/00; F21S 4/00; F21S 4/003; F21S 4/005; F21S 4/006; F21S 4/007; F21S 4/008; F21S 6/00; F21S 8/00; F21S 8/024; F21S 8/026; F21S 8/031; F21S 8/033; F21S 8/035-8/037; F21S 8/04; F21S 8/043; F21S 8/063  
See application file for complete search history.

(56) **References Cited**

**U.S. PATENT DOCUMENTS**

D493,244 S \* 7/2004 Engel ..... D26/76  
D584,848 S \* 1/2009 Menke ..... D26/76

D595,890 S \* 7/2009 Sabernig ..... D26/84  
D602,626 S \* 10/2009 Santoro ..... D26/76  
D632,004 S \* 2/2011 Waldmann ..... D26/76  
D645,194 S \* 9/2011 Budike, Jr. .... D26/76  
D650,509 S \* 12/2011 Wegger ..... D26/90  
D671,667 S \* 11/2012 Kim ..... D26/74  
D716,489 S \* 10/2014 O'Leary ..... D26/90

\* cited by examiner

*Primary Examiner* — George D. Kirschbaum

*Assistant Examiner* — Natasha Vujcic

(74) *Attorney, Agent, or Firm* — King & Spalding LLP

(57) **CLAIM**

The ornamental design for a luminaire with a continuous lens, as shown and described.

**DESCRIPTION**

FIG. 1 is a bottom perspective view of a luminaire with a continuous lens, showing our new design; FIG. 2 is a top perspective view thereof; FIG. 3 is a top plan view thereof; FIG. 4 is a bottom plan view thereof; FIG. 5 is a left side view thereof; FIG. 6 is a right side view thereof; FIG. 7 is a front view thereof; and, FIG. 8 is a rear view thereof.

The broken lines shown in the figures represent portions of the luminaire with a continuous lens that form no part of the claimed design.

The area between the dash-dot-dash lines in the figures forms no part of the claimed design for a luminaire with a continuous lens.

**1 Claim, 7 Drawing Sheets**

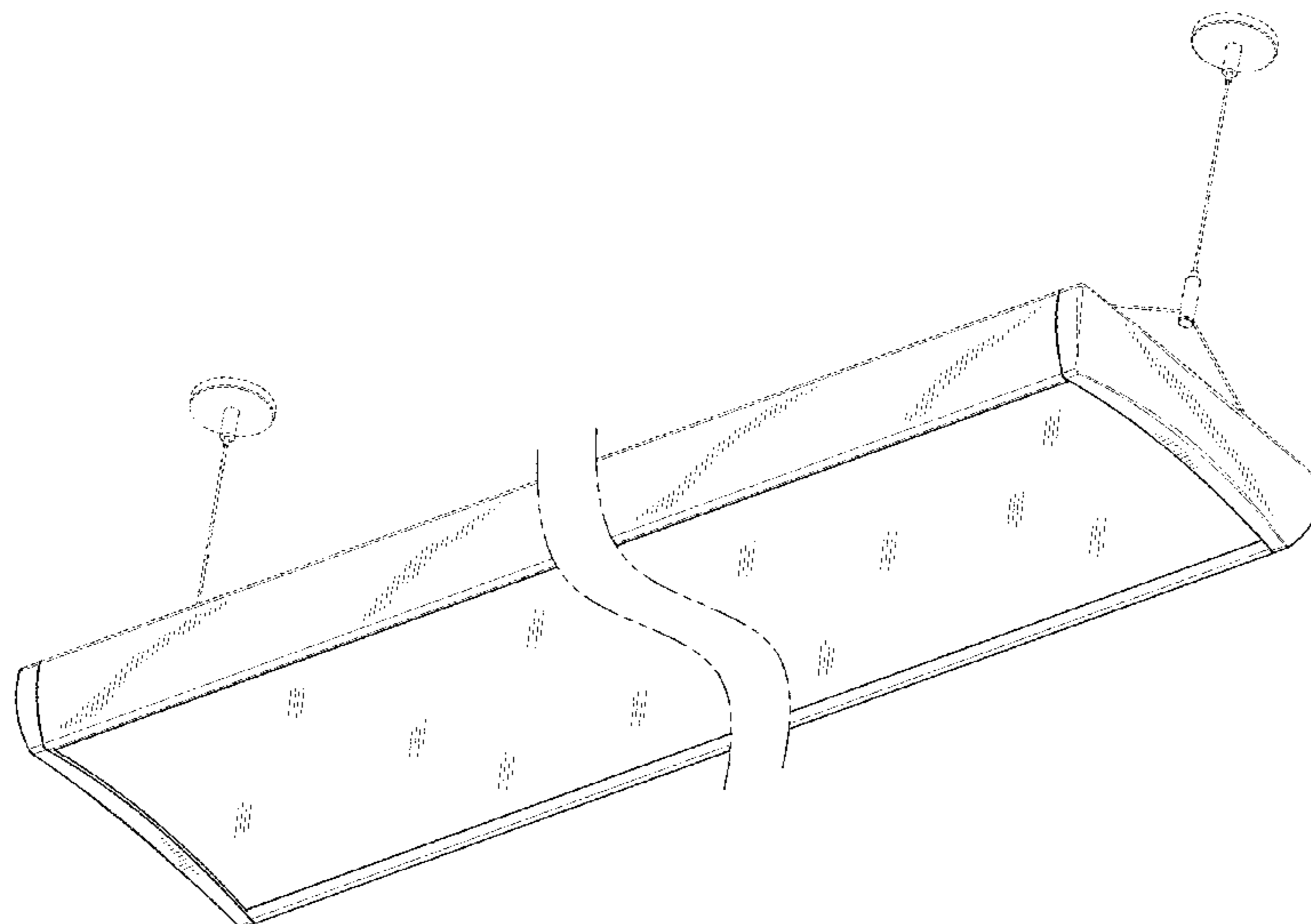


FIG. 1

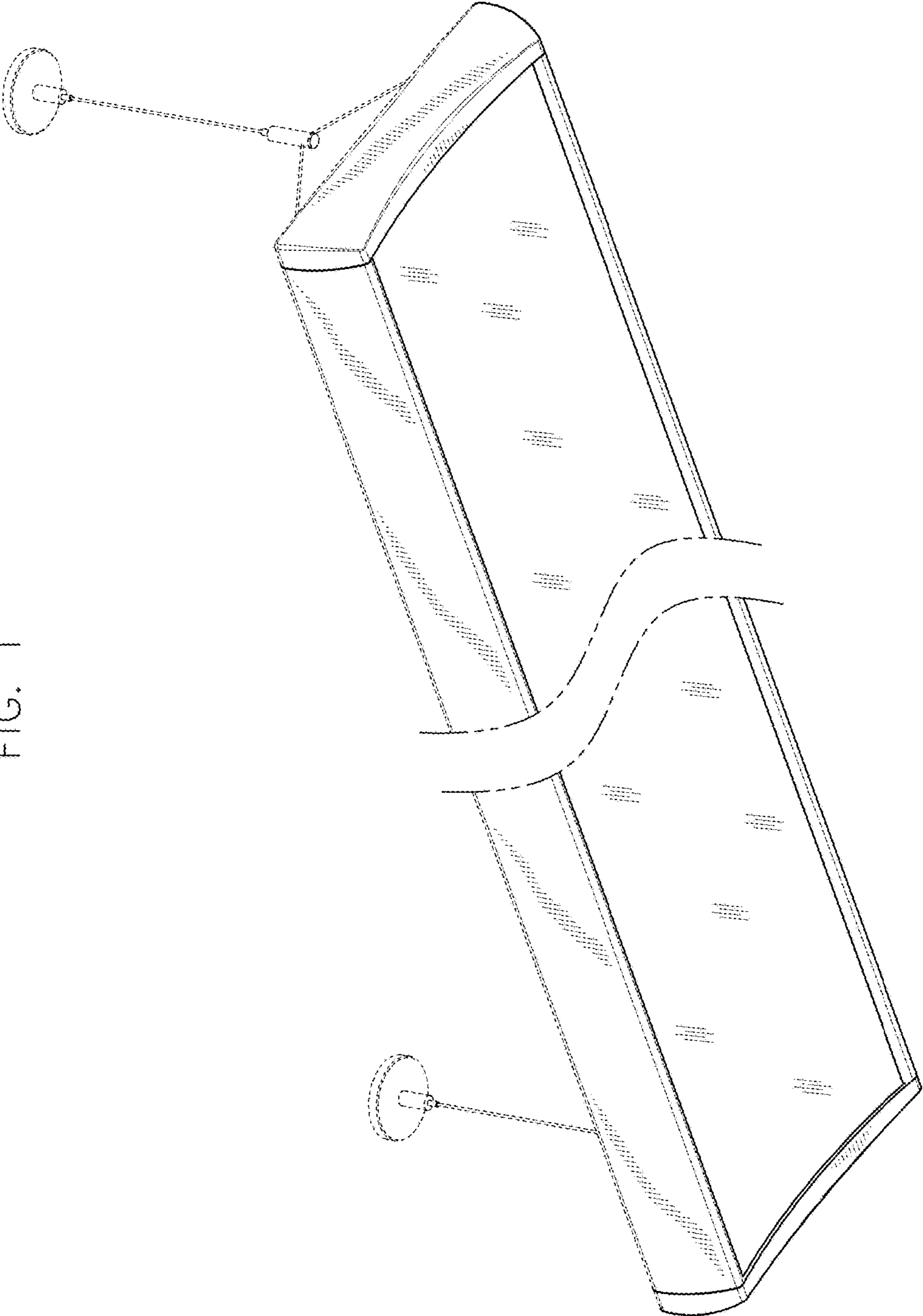


FIG. 2

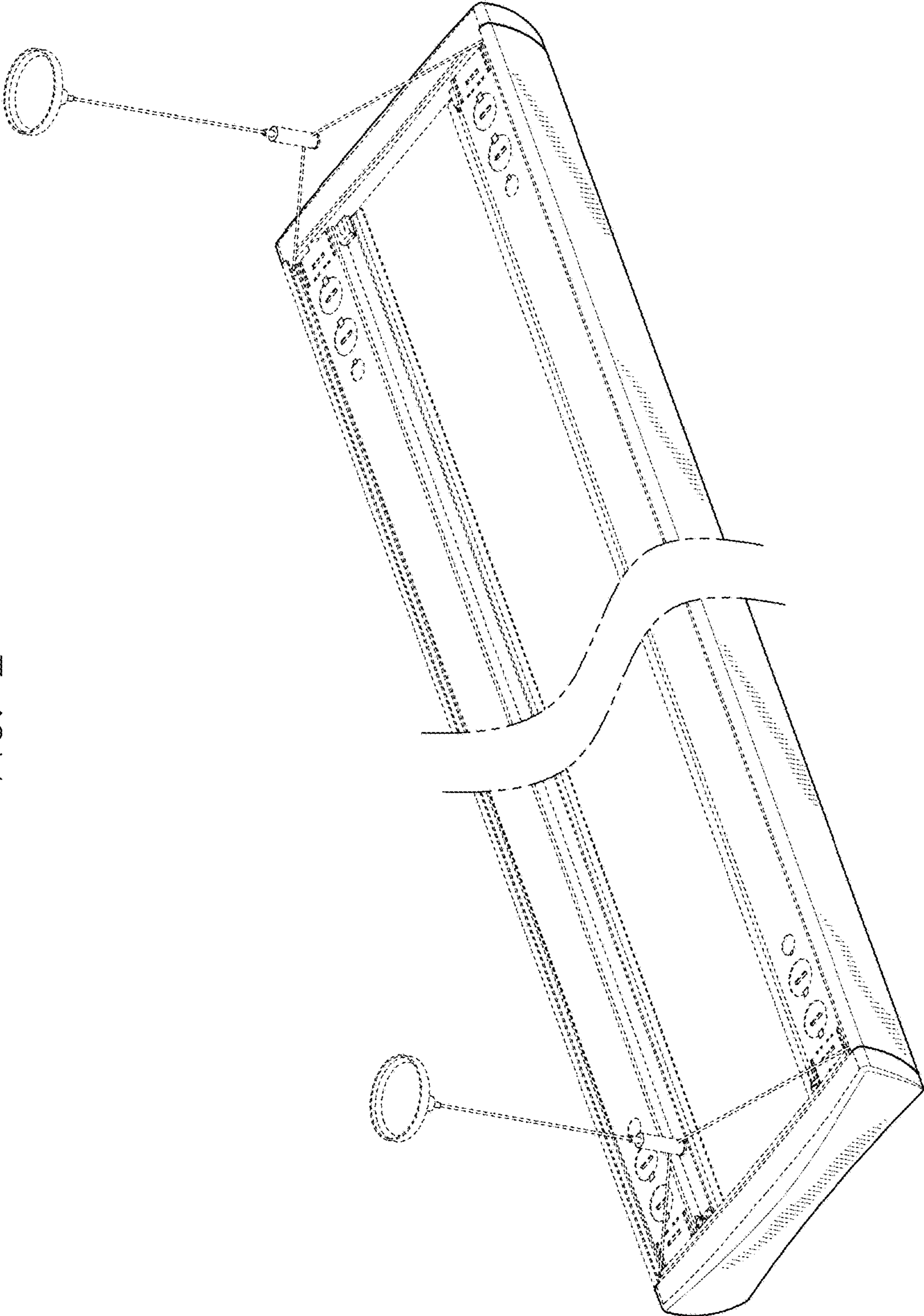


FIG. 3

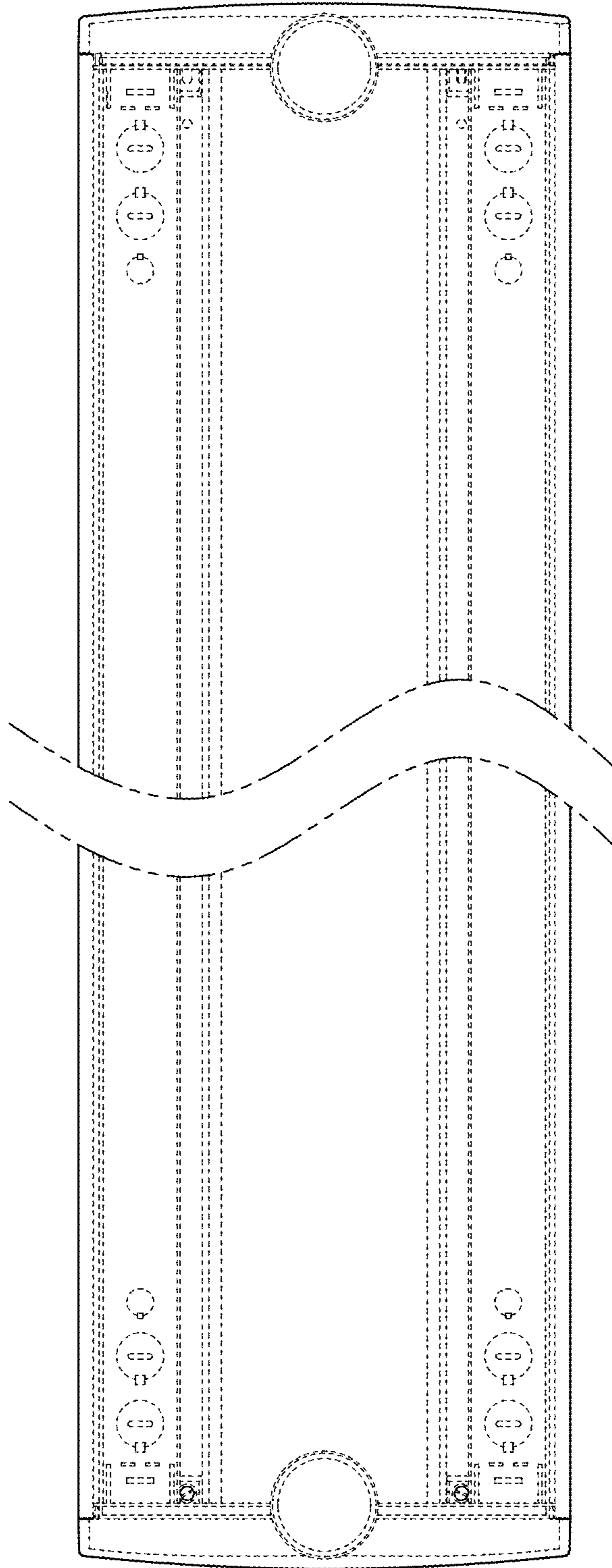


FIG. 4

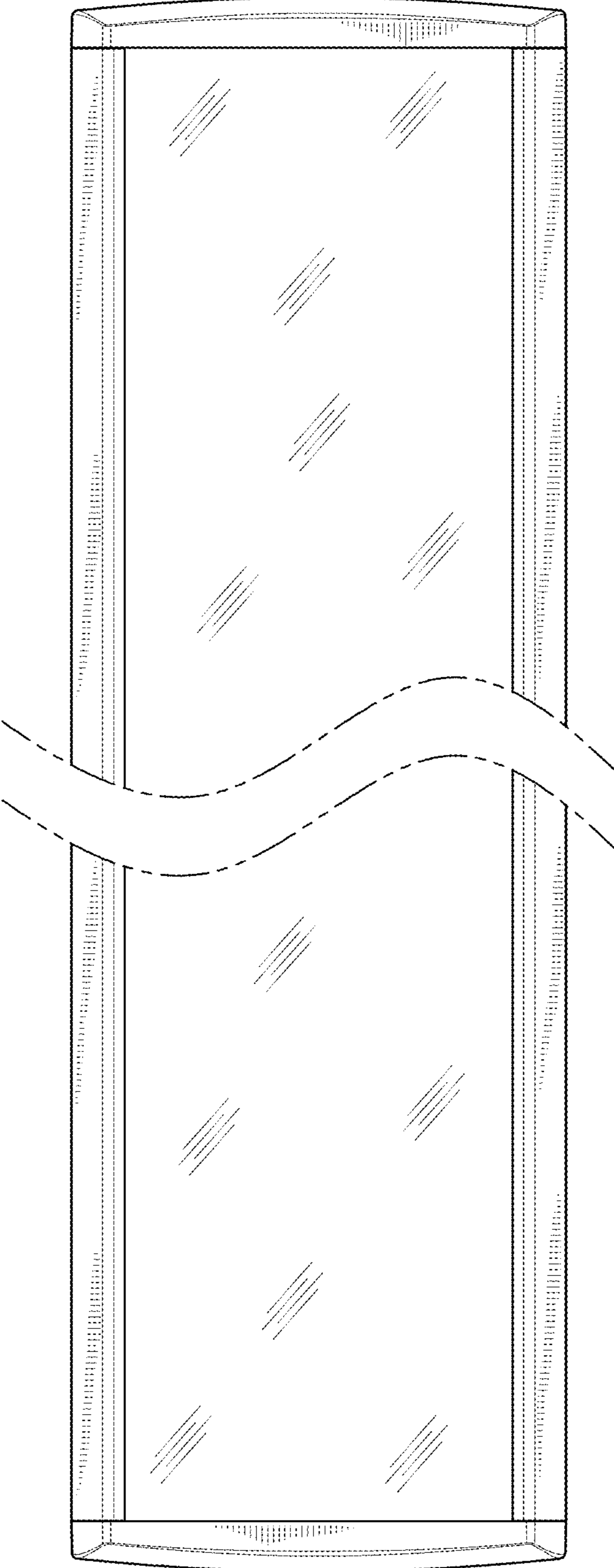


FIG. 5

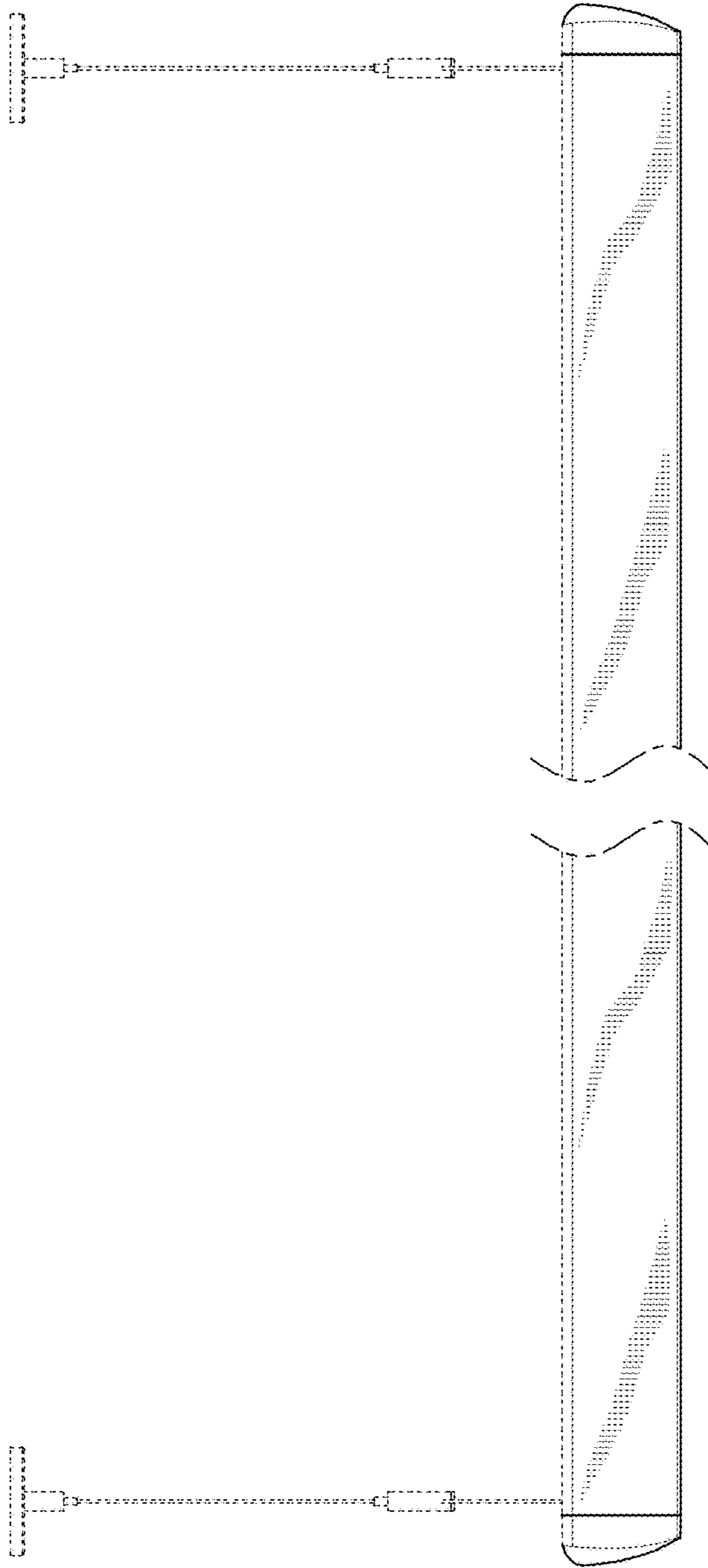


FIG. 6

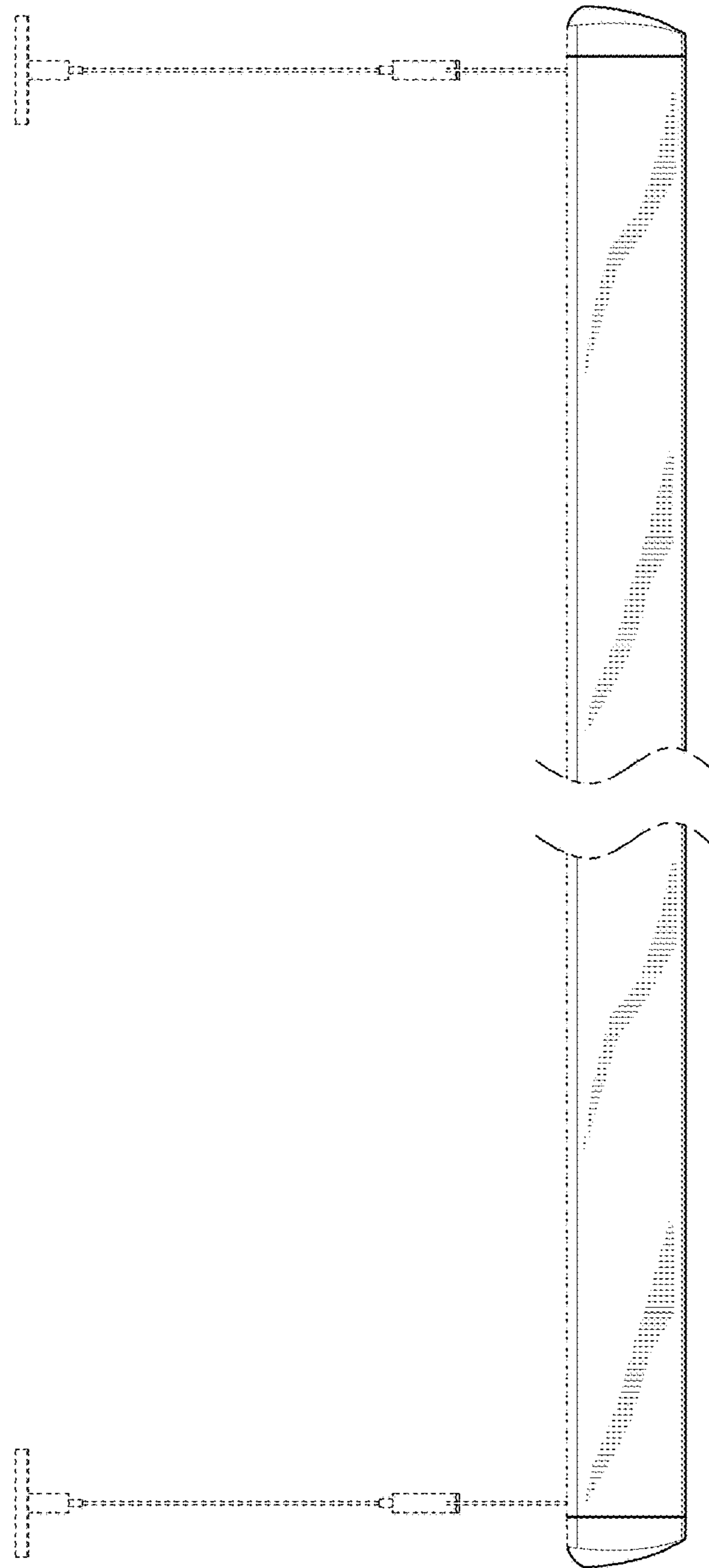


FIG. 8

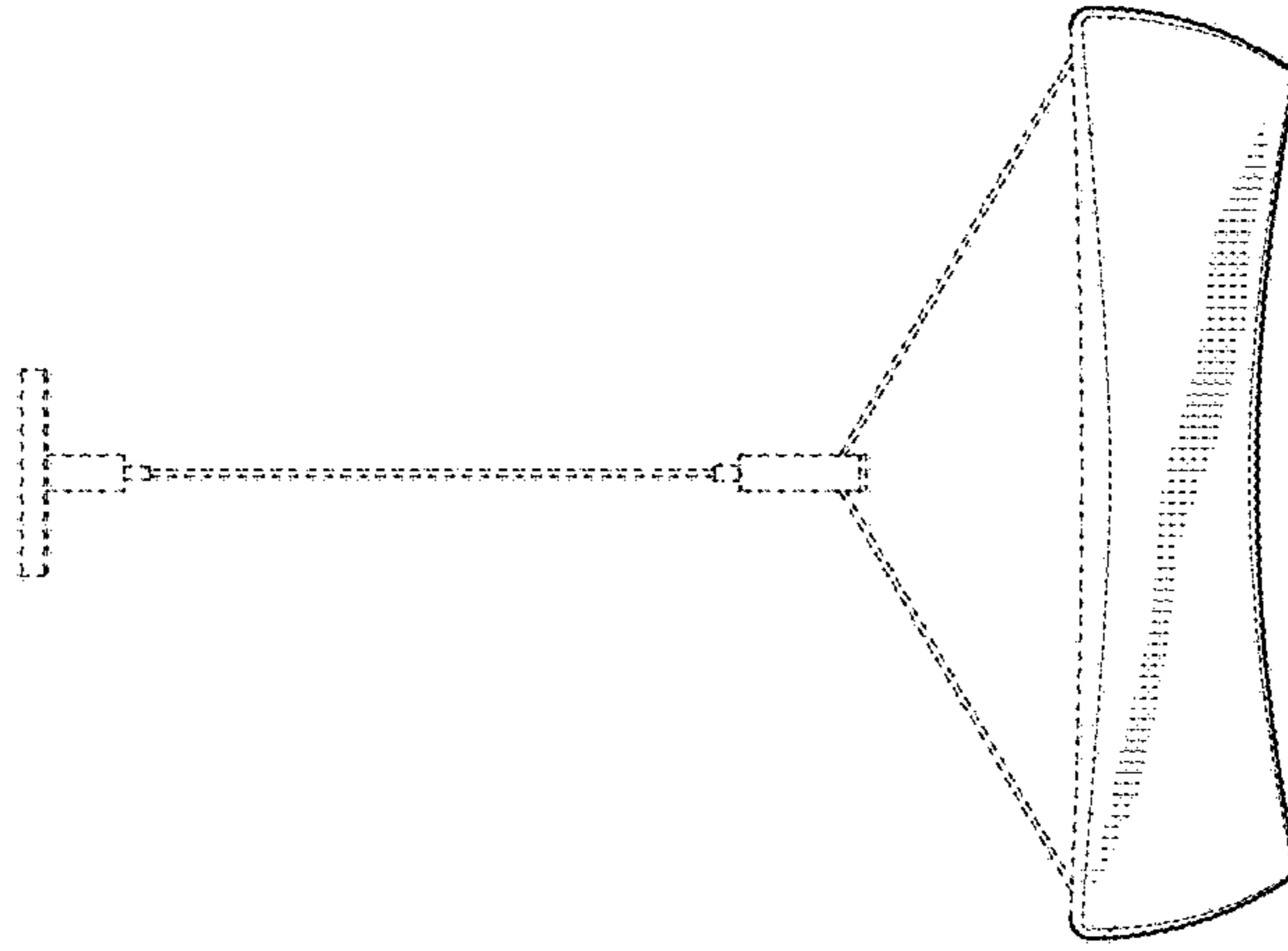


FIG. 7

