



US00D805233S

(12) **United States Design Patent** (10) **Patent No.:** **US D805,233 S**
Verfuерth et al. (45) **Date of Patent:** **** Dec. 12, 2017**

(54) **LIGHTING FIXTURE**

(71) Applicant: **Energy Bank Incorporated,**
Manitowoc, WI (US)

(72) Inventors: **Neal R. Verfuерth,** Manitowoc, WI
(US); **Brandon James King,**
Manitowoc, WI (US)

(73) Assignee: **Energy Bank Incorporated,**
Manitowoc, WI (US)

(**) Term: **15 Years**

(21) Appl. No.: **29/564,608**

(22) Filed: **May 13, 2016**

Related U.S. Application Data

(63) Continuation-in-part of application No. 15/074,421,
filed on Mar. 18, 2016.

(51) **LOC (10) Cl.** **26-03**

(52) **U.S. Cl.**
USPC **D26/76**

(58) **Field of Classification Search**
USPC D26/76, 78, 79, 80, 81, 82, 83, 85, 86,
D26/88, 90, 113, 118, 119, 120, 121, 122,
D26/138, 139, 140, 141, 142

(Continued)

(56) **References Cited**

U.S. PATENT DOCUMENTS

D168,943 S * 3/1953 Levaur D26/78
D306,773 S * 3/1990 Roulstone D26/78

(Continued)

Primary Examiner — George D Kirschbaum

Assistant Examiner — Natasha Vujcic

(74) *Attorney, Agent, or Firm* — Smith Keane LLP

(57) **CLAIM**

The ornamental design for a lighting fixture, as shown and described.

DESCRIPTION

FIG. 1 is a bottom perspective view of the lighting fixture according to a first embodiment;
FIG. 2 is a top perspective view of the lighting fixture;
FIG. 3 is a right side elevation view of the lighting fixture;
FIG. 4 is a left side elevation view of the lighting fixture;
FIG. 5 is a front end elevation view of the lighting fixture;
FIG. 6 is a rear end elevation view of the lighting fixture;
FIG. 7 is a bottom plan view of the lighting fixture;
FIG. 8 is a top plan view of the lighting fixture;
FIG. 9 is a bottom perspective view of the lighting fixture according to a second embodiment;
FIG. 10 is a top perspective view of the lighting fixture of FIG. 9;
FIG. 11 is a right side elevation view of the lighting fixture of FIG. 9;
FIG. 12 is a left side elevation view of the lighting fixture of FIG. 9;
FIG. 13 is a front end elevation view of the lighting fixture of FIG. 9;
FIG. 14 is a rear end elevation view of the lighting fixture of FIG. 9;
FIG. 15 is a bottom plan view of the lighting fixture of FIG. 9;
FIG. 16 is a top plan view of the lighting fixture of FIG. 9;
FIG. 17 is a bottom perspective view of the lighting fixture according to a third embodiment;
FIG. 18 is a top perspective view of the lighting fixture of FIG. 17;
FIG. 19 is a right side elevation view of the lighting fixture of FIG. 17;
FIG. 20 is a left side elevation view of the lighting fixture of FIG. 17;
FIG. 21 is a front end elevation view of the lighting fixture of FIG. 17;
FIG. 22 is a rear end elevation view of the lighting fixture of FIG. 17;

(Continued)

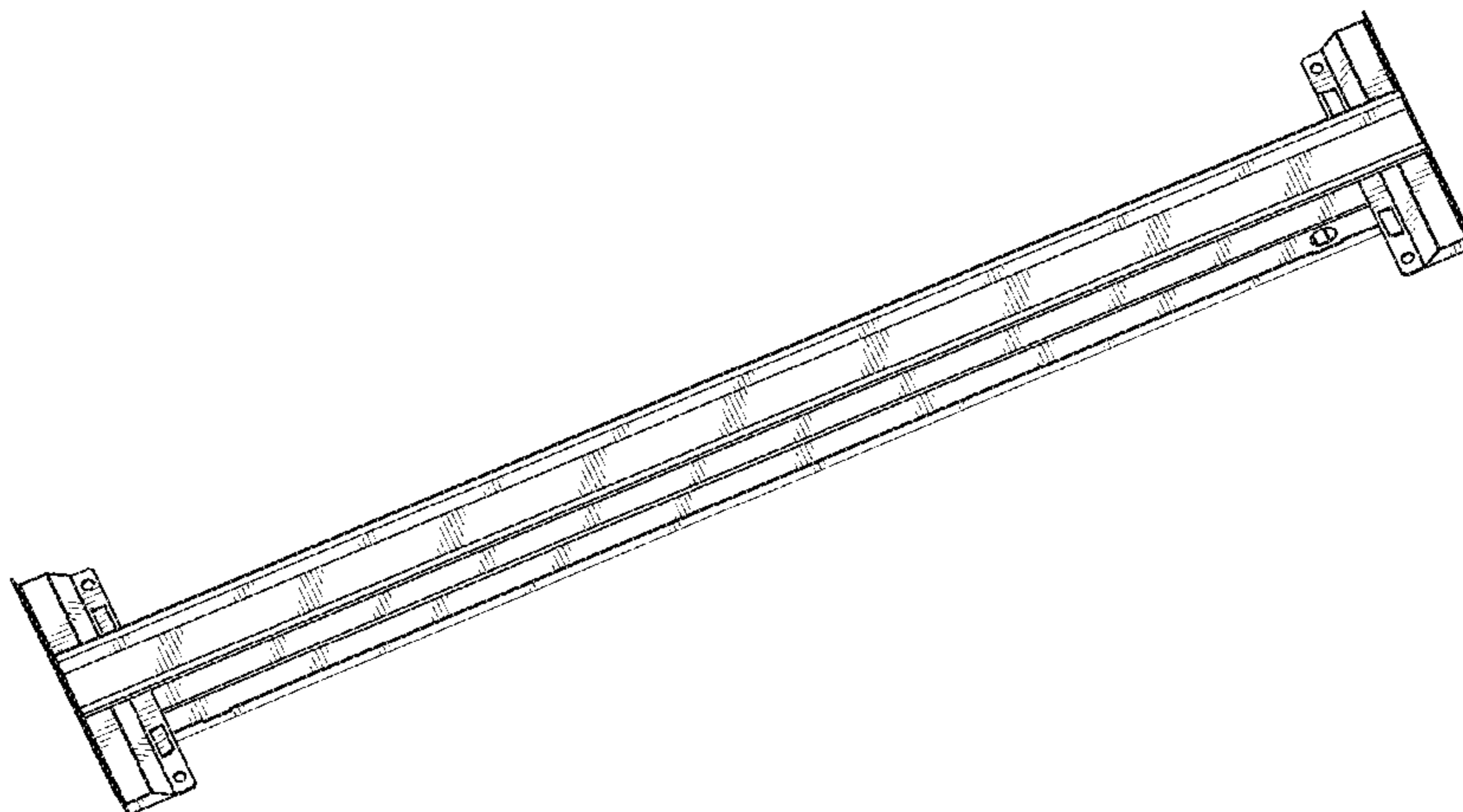


FIG. 23 is a bottom plan view of the lighting fixture of FIG. 17;
 FIG. 24 is a top plan view of the lighting fixture of FIG. 17;
 FIG. 25 is a bottom perspective view of the lighting fixture according to a fourth embodiment;
 FIG. 26 is a top perspective view of the lighting fixture of FIG. 25;
 FIG. 27 is a right side elevation view of the lighting fixture of FIG. 25;
 FIG. 28 is a left side elevation view of the lighting fixture of FIG. 25;
 FIG. 29 is a front end elevation view of the lighting fixture of FIG. 25;
 FIG. 30 is a rear end elevation view of the lighting fixture of FIG. 25;
 FIG. 31 is a bottom plan view of the lighting fixture of FIG. 25;
 FIG. 32 is a top plan view of the lighting fixture of FIG. 25;
 FIG. 33 is a bottom perspective view of the lighting fixture according to a fifth embodiment;
 FIG. 34 is a top perspective view of the lighting fixture of FIG. 33;
 FIG. 35 is a right side elevation view of the lighting fixture of FIG. 33;
 FIG. 36 is a left side elevation view of the lighting fixture of FIG. 33;
 FIG. 37 is a front end elevation view of the lighting fixture of FIG. 33;
 FIG. 38 is a rear end elevation view of the lighting fixture of FIG. 33;

FIG. 39 is a bottom plan view of the lighting fixture of FIG. 33; and,
 FIG. 40 is a top plan view of the lighting fixture of FIG. 33.

1 Claim, 20 Drawing Sheets

(58) **Field of Classification Search**

CPC F21S 2/00; F21S 4/00; F21S 4/003; F21S 4/005; F21S 4/006; F21S 4/007; F21S 4/008; F21S 6/00; F21S 8/00; F21S 8/024; F21S 8/026; F21S 8/031; F21S 8/033; F21S 8/035-8/037; F21S 8/04; F21S 8/043; F21S 8/063

See application file for complete search history.

(56) **References Cited**

U.S. PATENT DOCUMENTS

D447,266	S *	8/2001	Verfuert	D26/76
D463,059	S *	9/2002	Verfuert	D26/78
D596,778	S *	7/2009	Yamazato	D26/76
7,628,506	B2 *	12/2009	Verfuert	F21S 8/06 362/218
D632,418	S *	2/2011	Bisberg	D26/76
D675,365	S *	1/2013	Beghelli	D26/78
D685,122	S *	6/2013	Kim	D26/74
D723,206	S *	2/2015	Lewis, Jr.	D26/76
D728,153	S *	4/2015	Blessitt	D26/118
D747,539	S *	1/2016	Santoro	D26/120
D756,016	S *	5/2016	Hargreaves	D26/79
D757,325	S *	5/2016	Stanley	D26/76
D757,327	S *	5/2016	Reynolds	D26/77

* cited by examiner

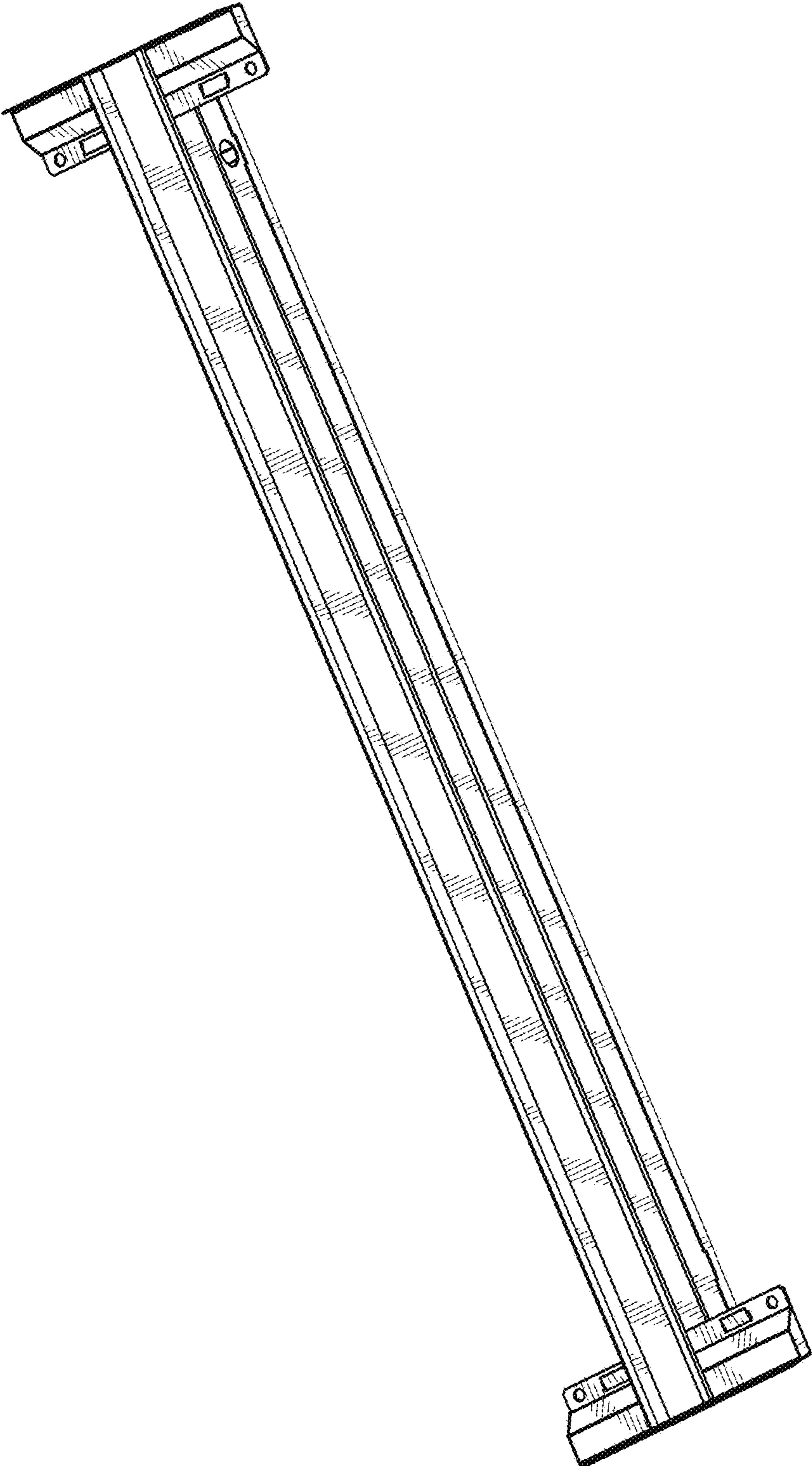


FIG. 1

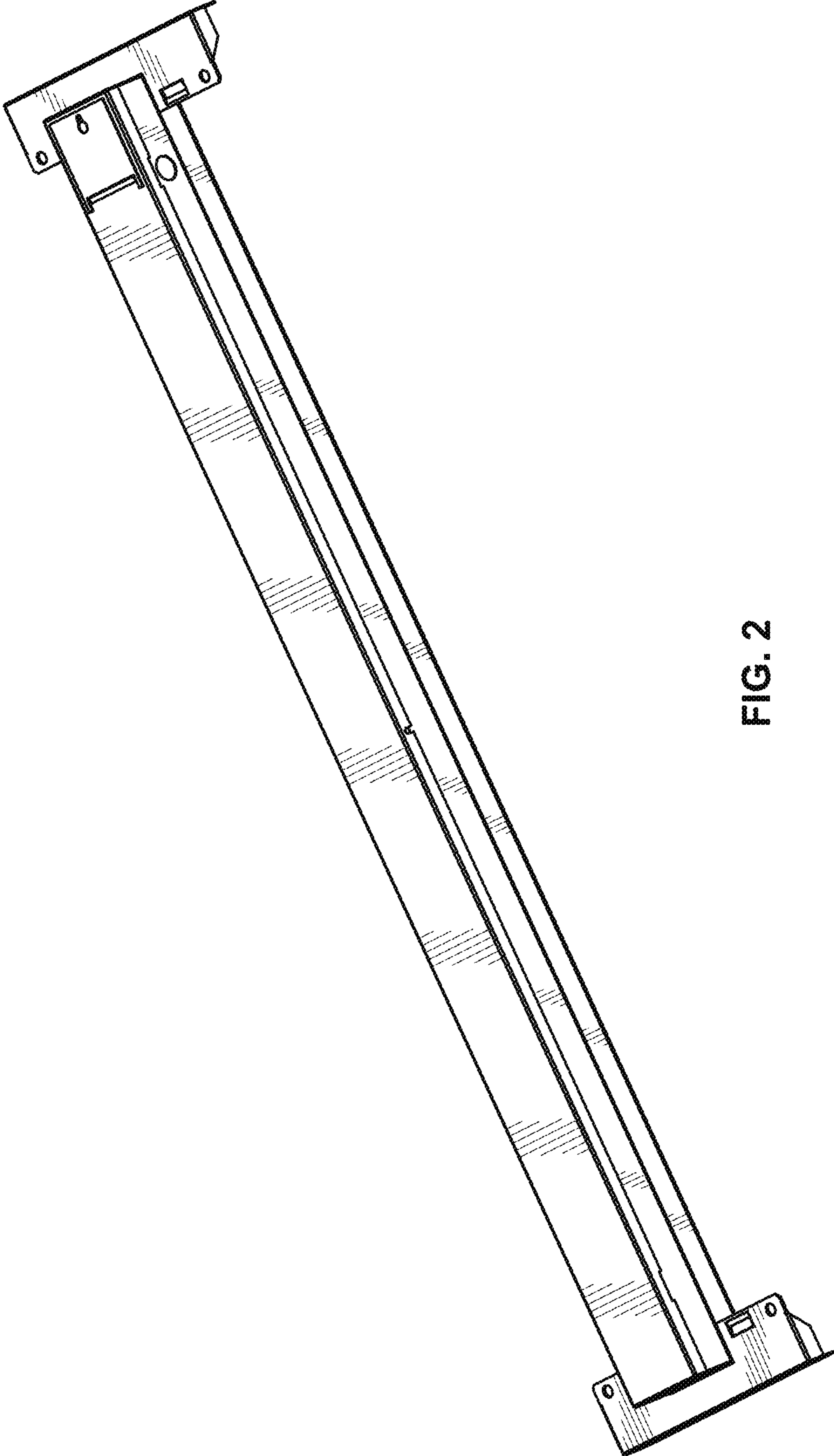


FIG. 2

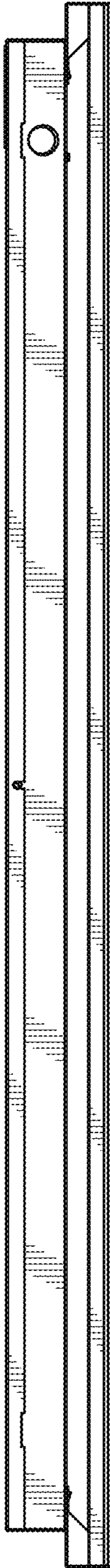


FIG. 3

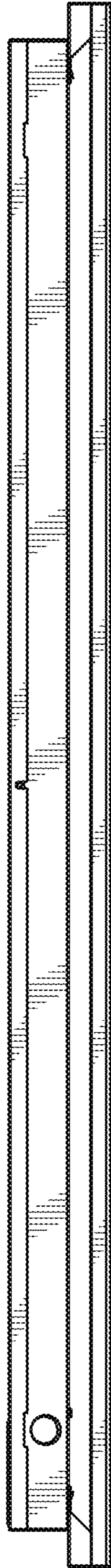


FIG. 4

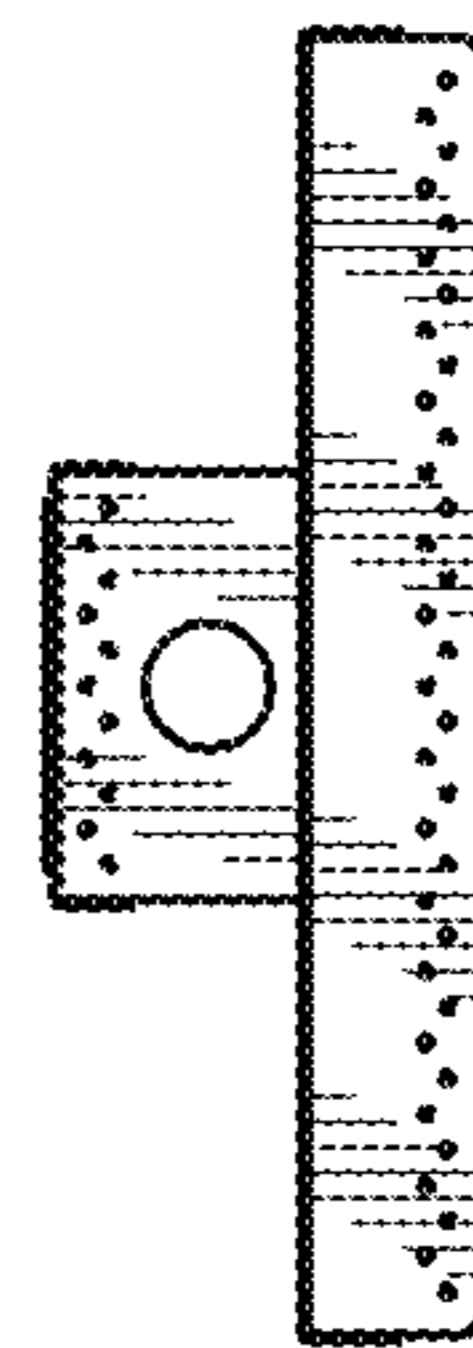


FIG. 5

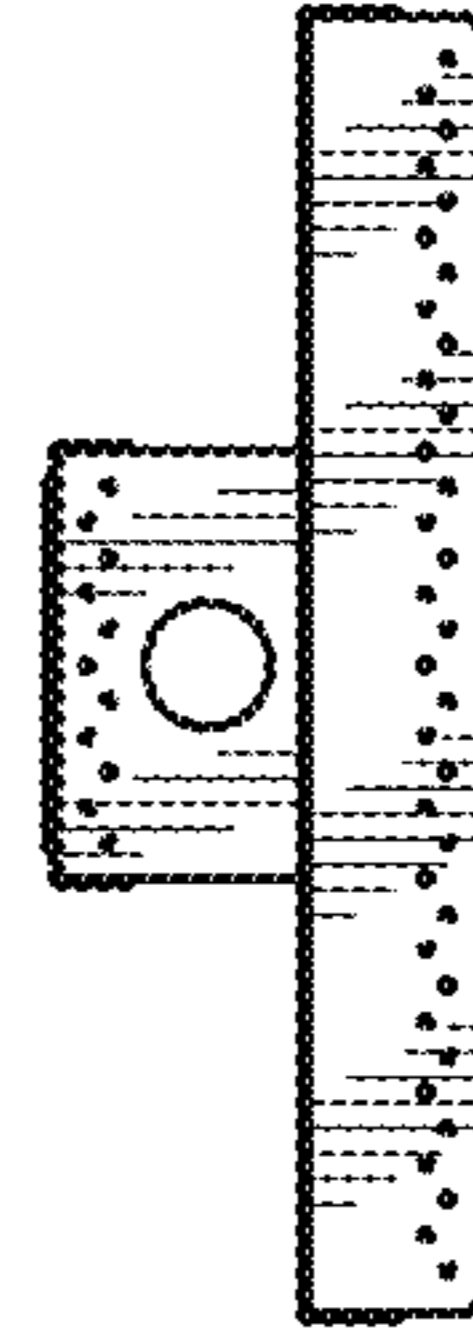


FIG. 6

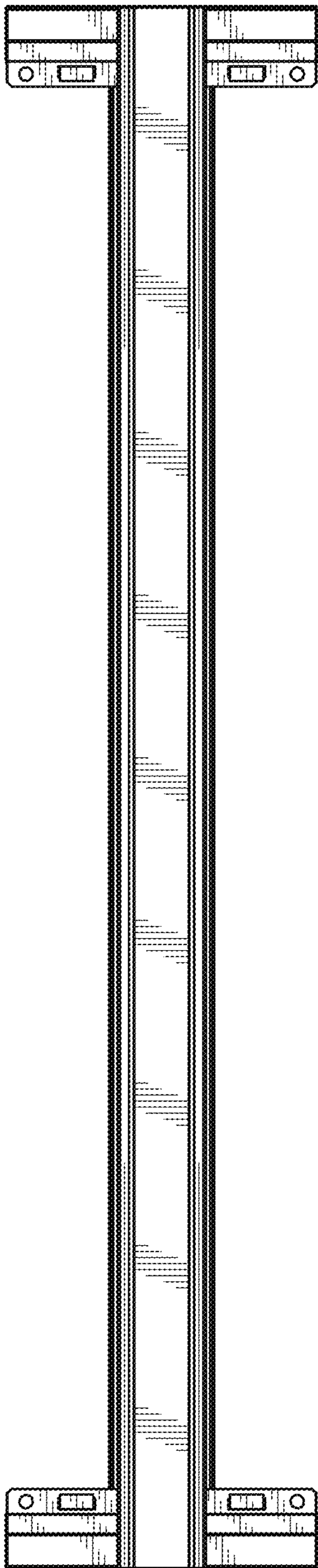


FIG. 7

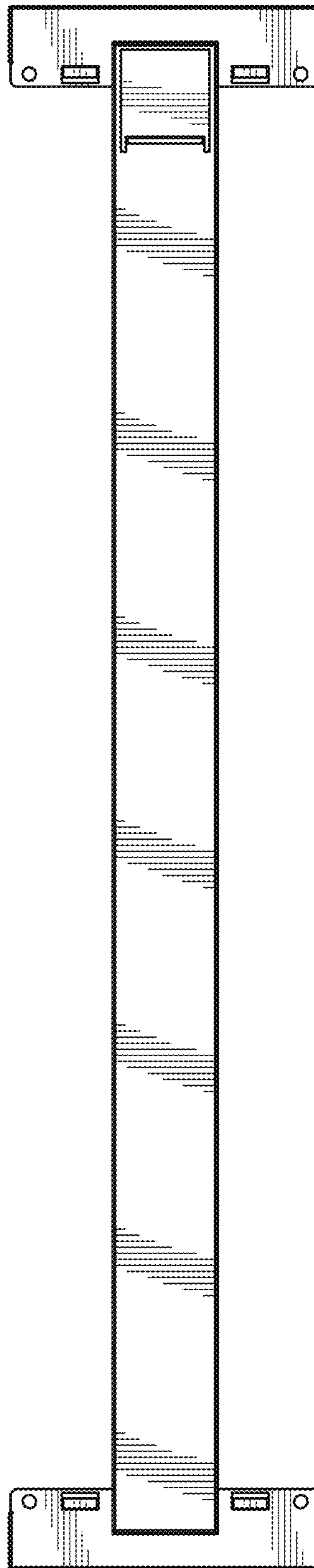


FIG. 8

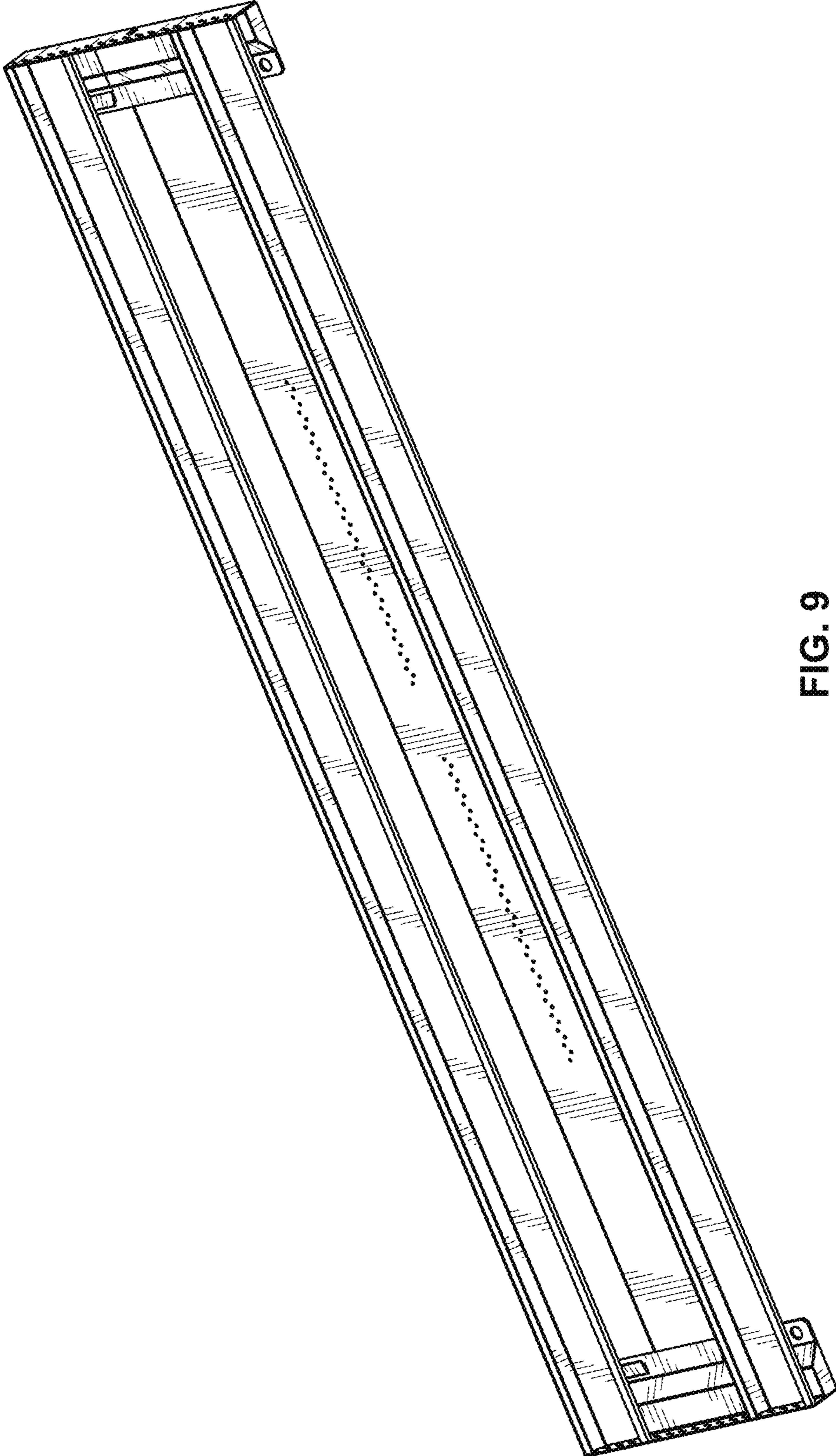


FIG. 9

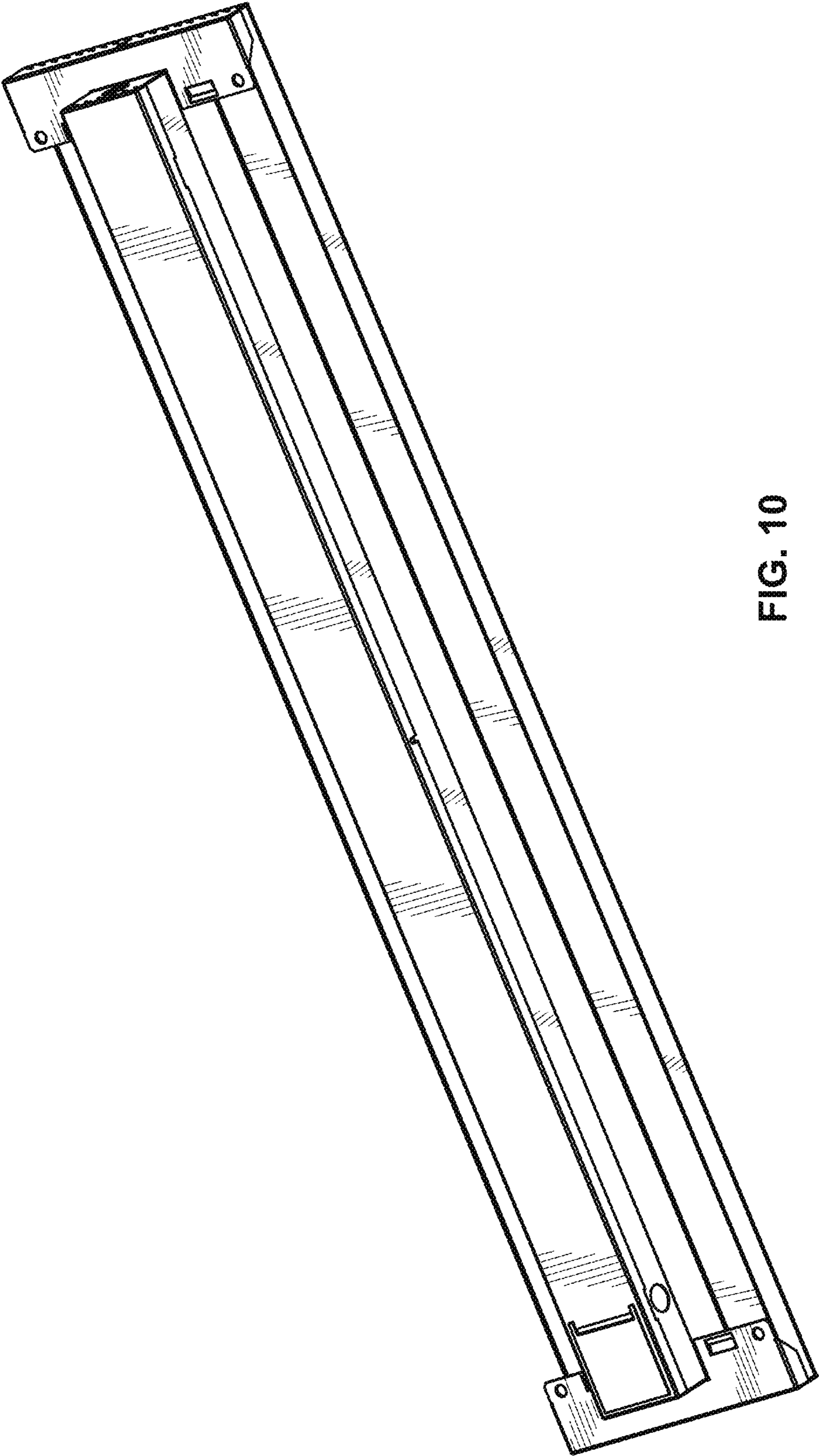


FIG. 10

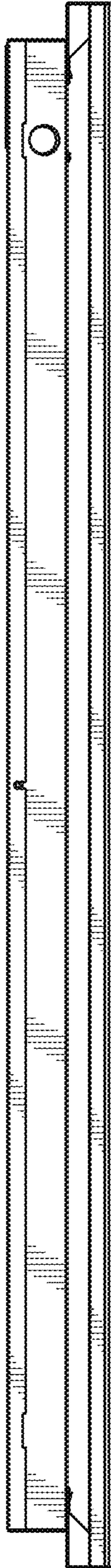


FIG. 11

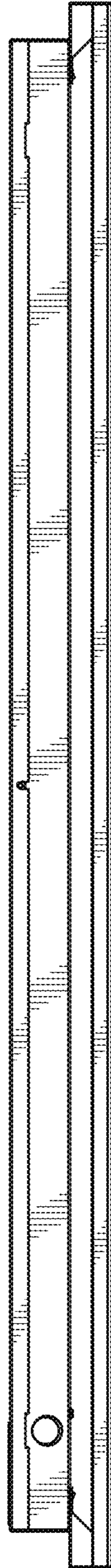


FIG. 12

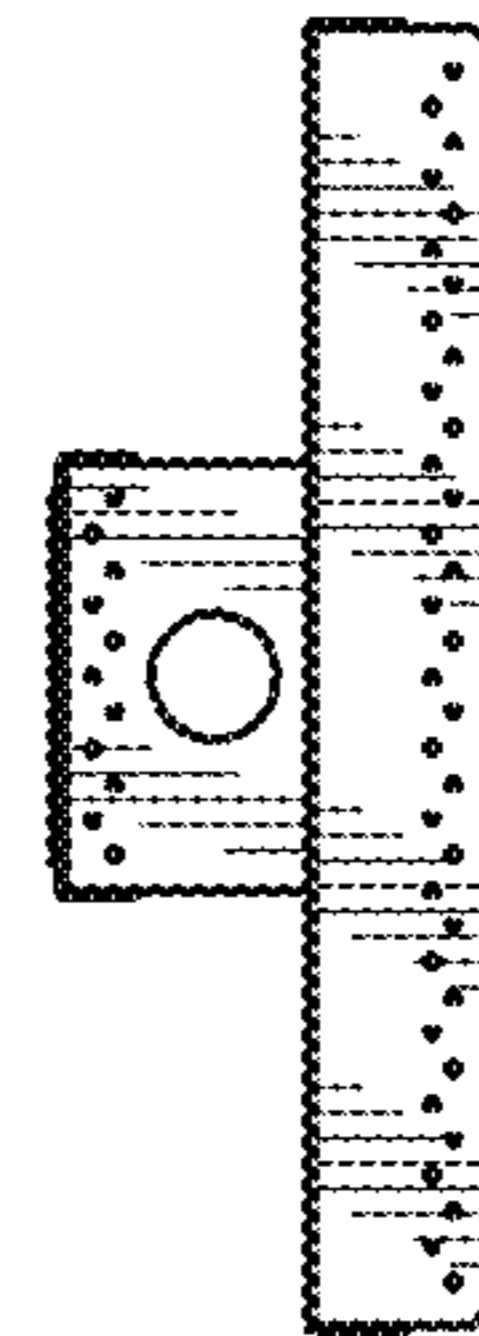


FIG. 13

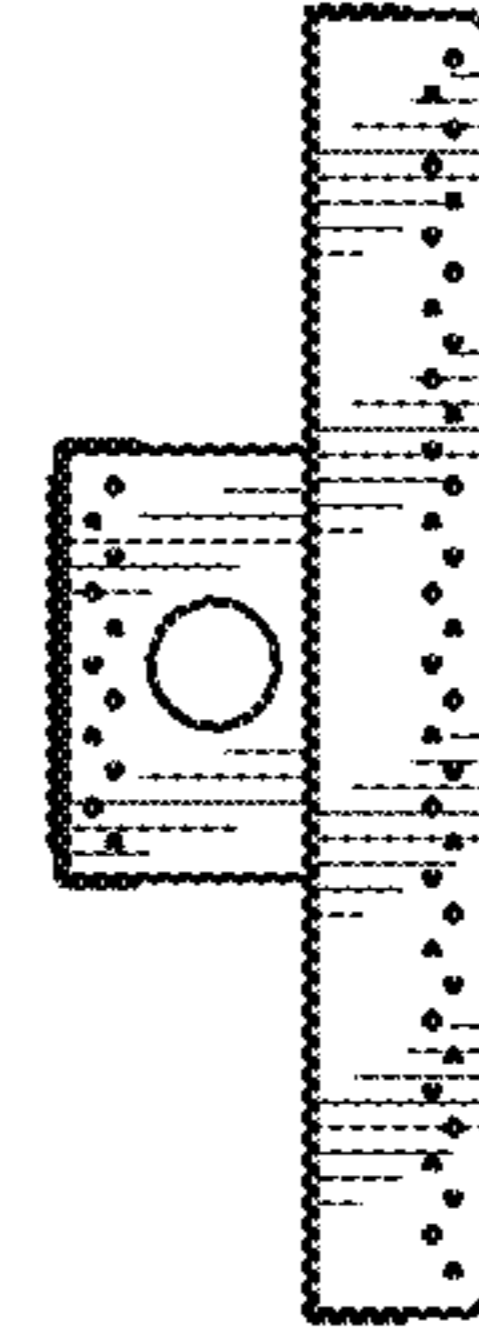


FIG. 14

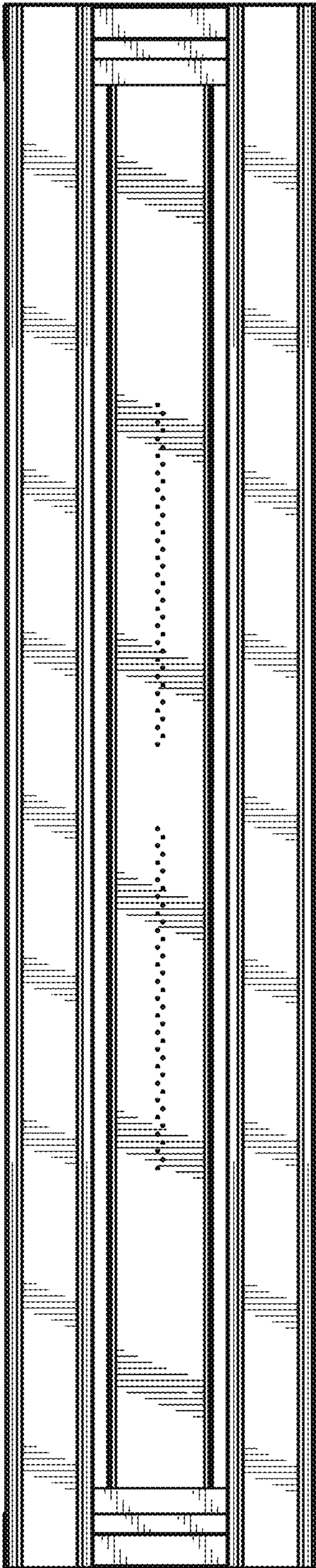


FIG. 15

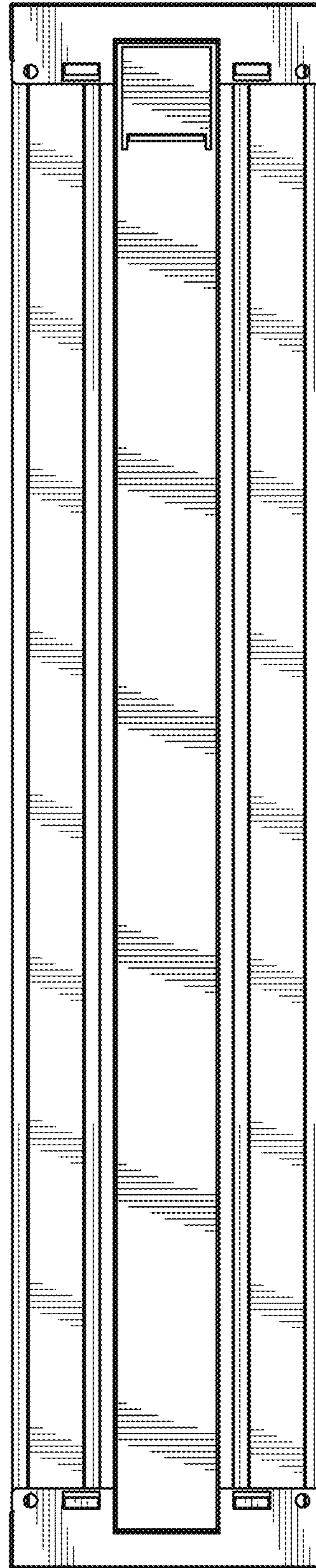


FIG. 16

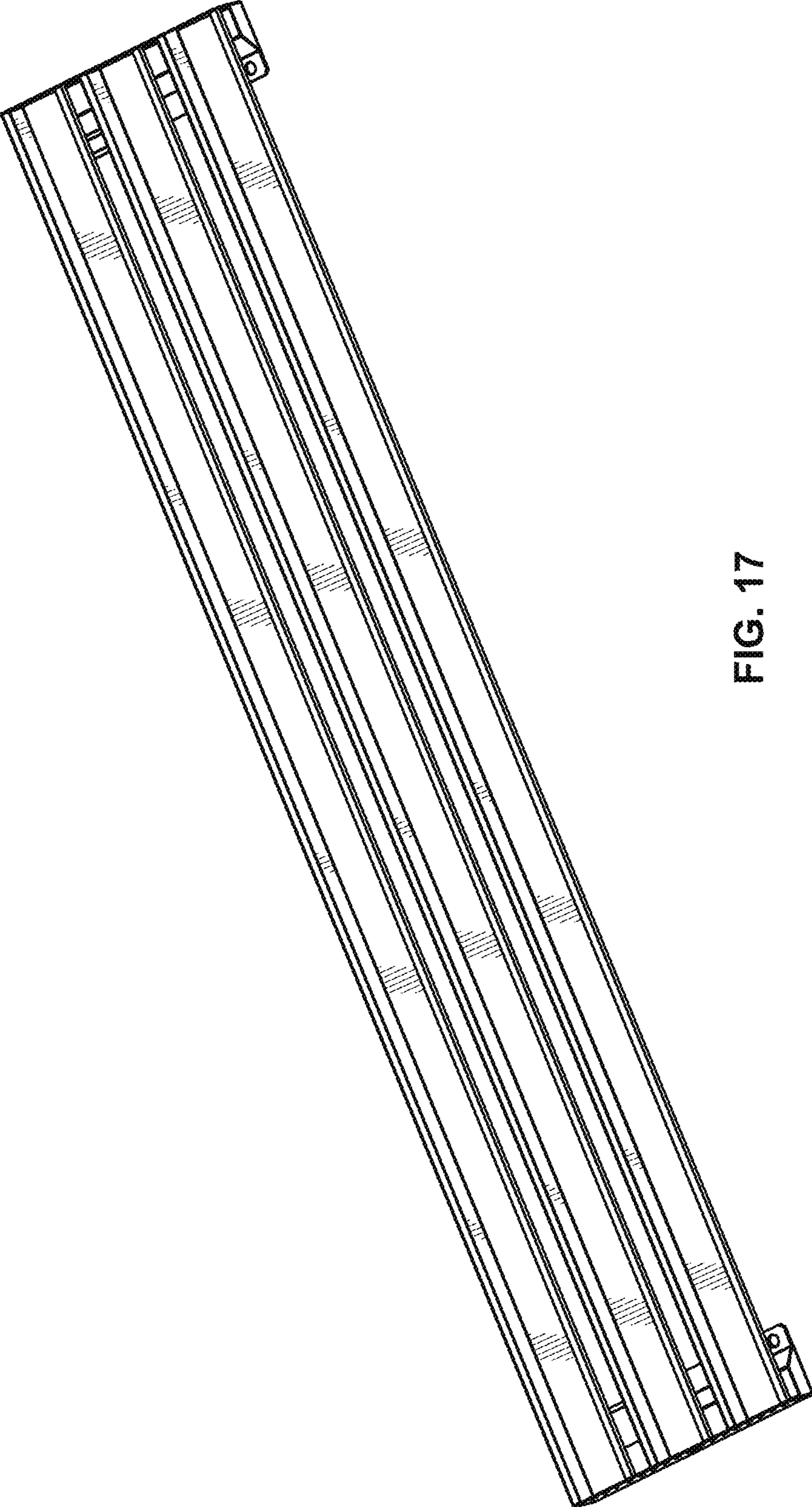


FIG. 17

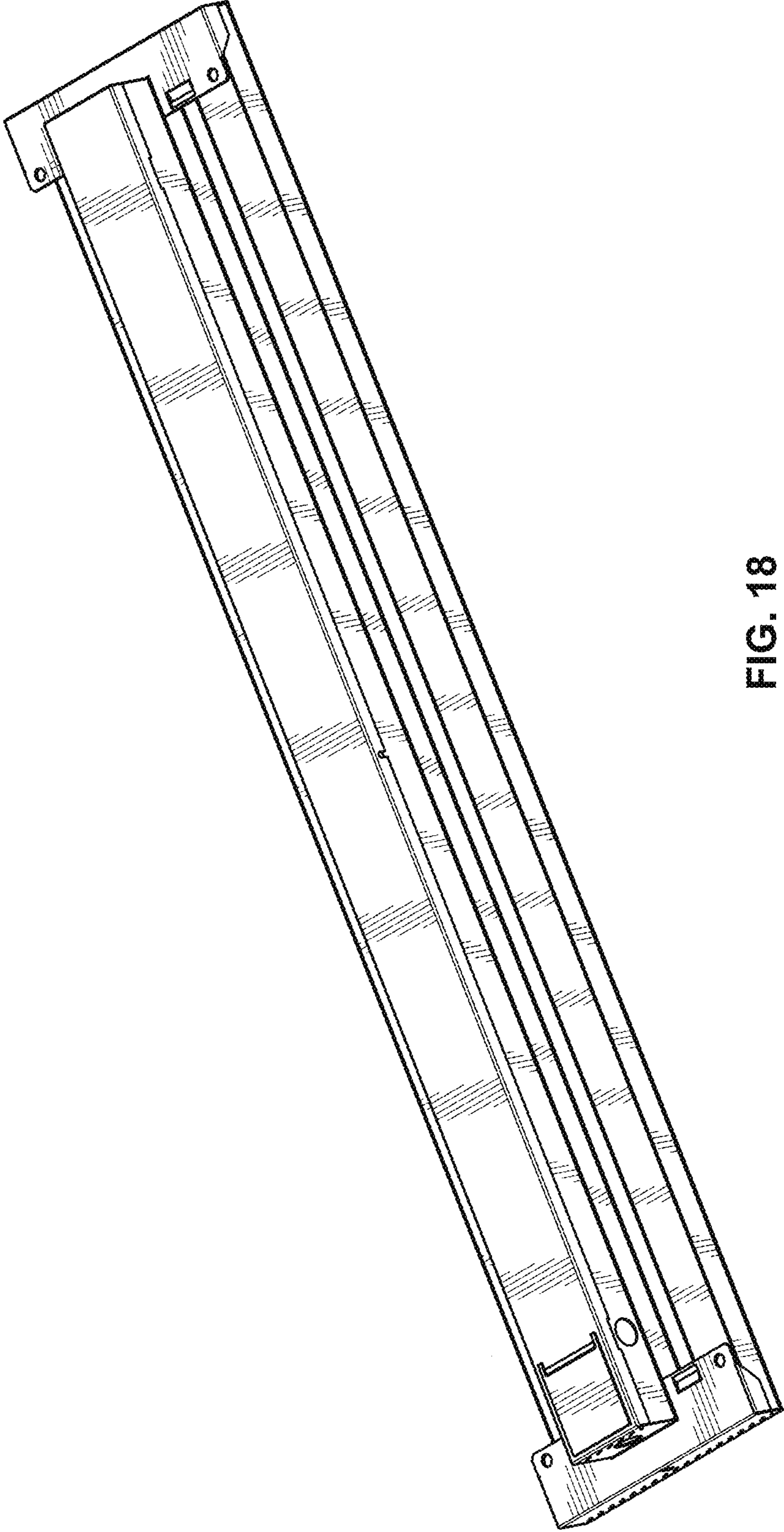


FIG. 18

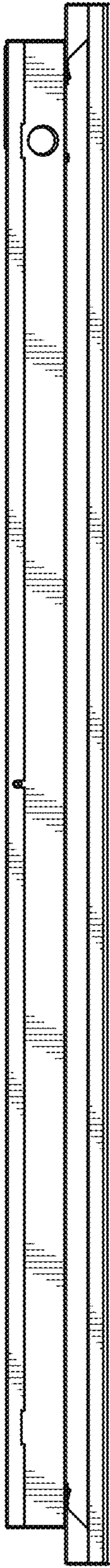


FIG. 19

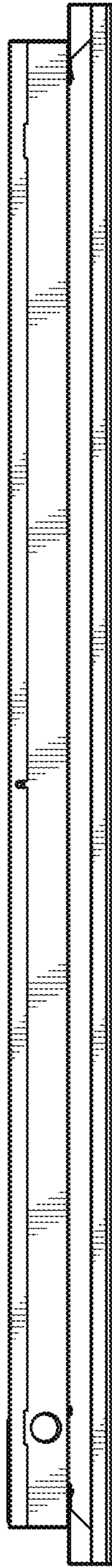


FIG. 20

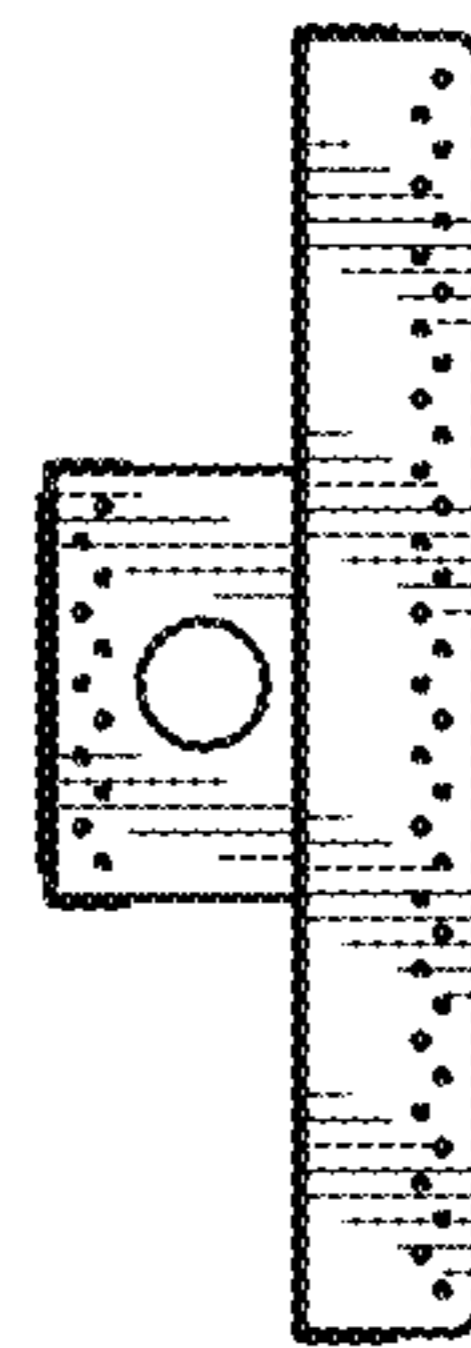


FIG. 21

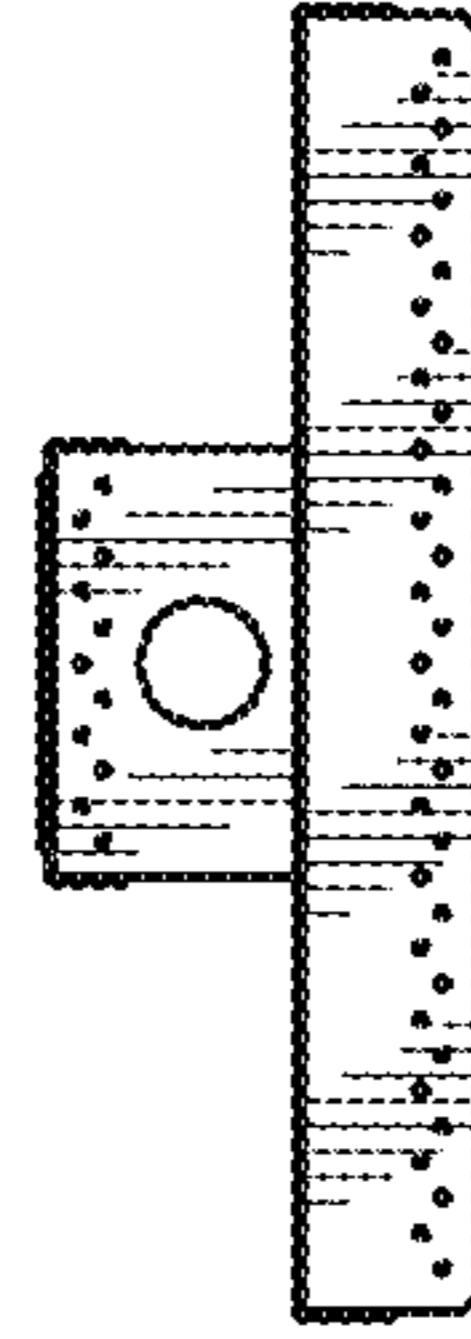


FIG. 22

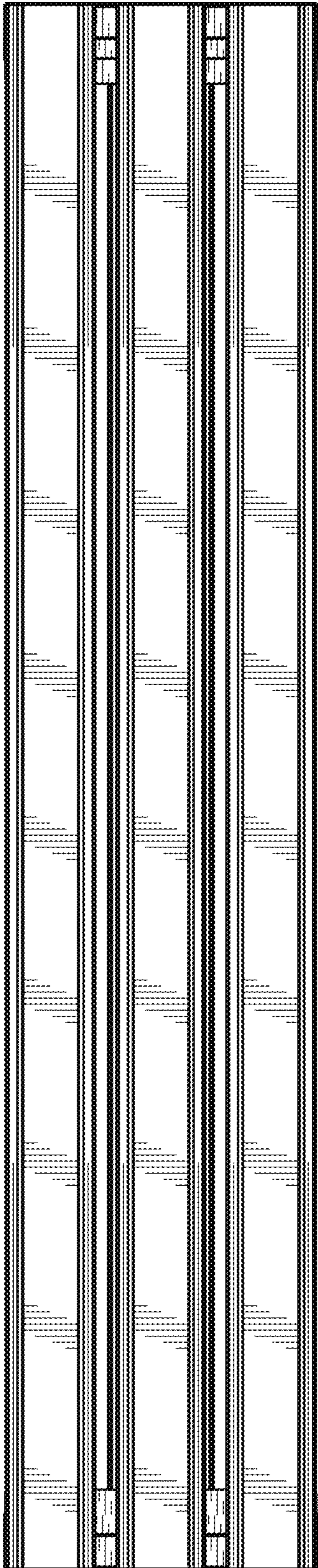


FIG. 23

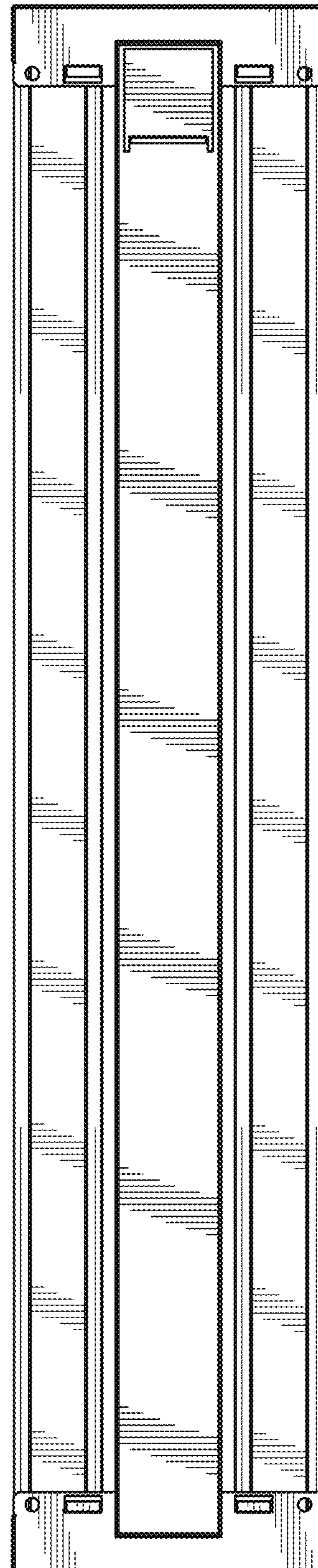


FIG. 24

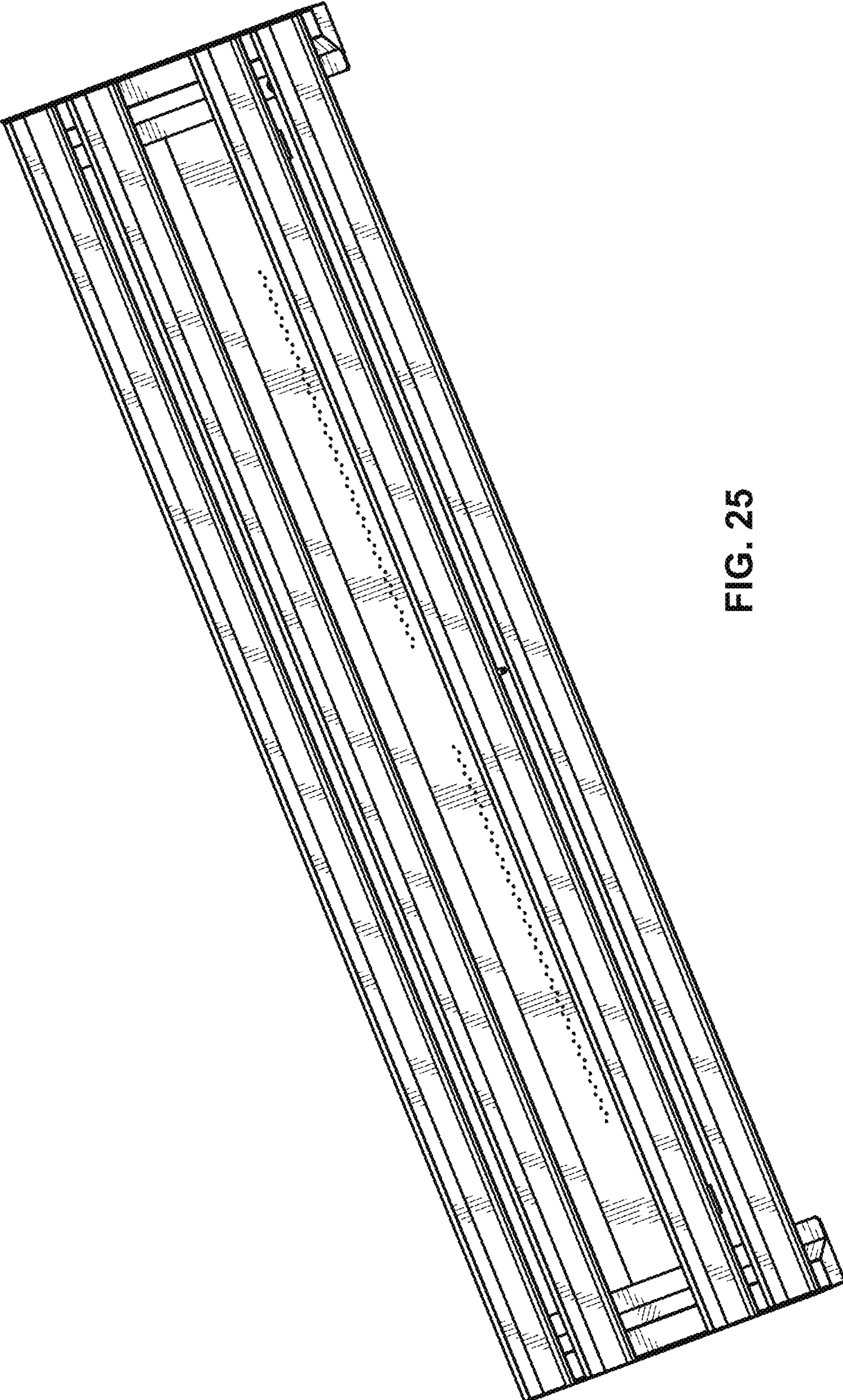


FIG. 25

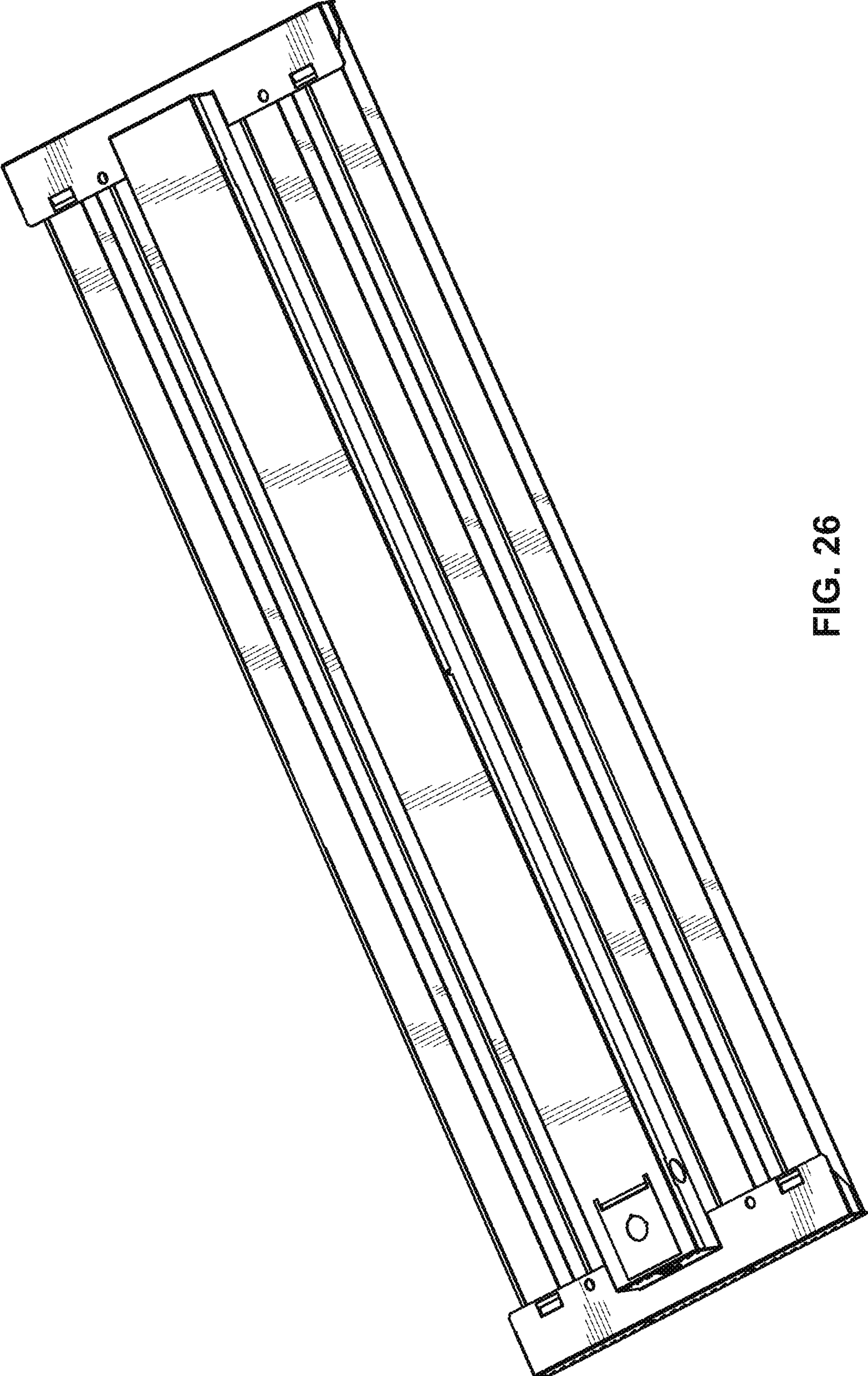


FIG. 26

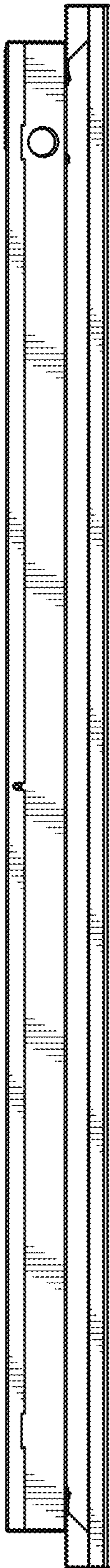


FIG. 27

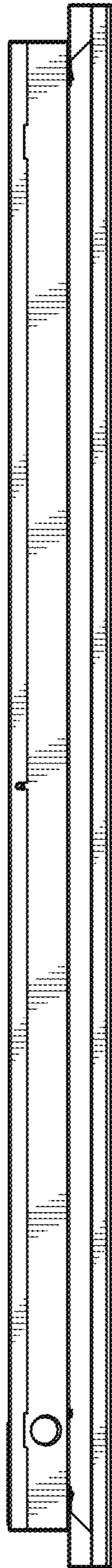


FIG. 28

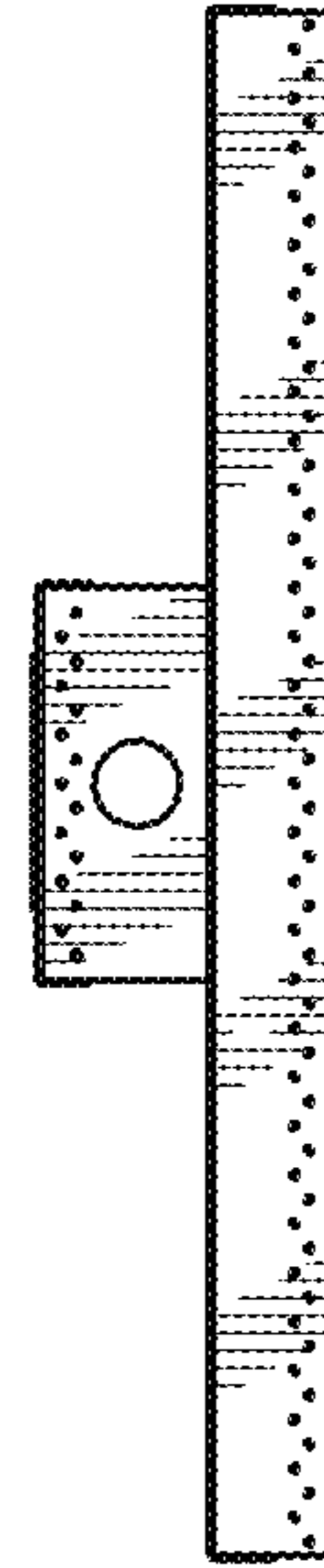


FIG. 30

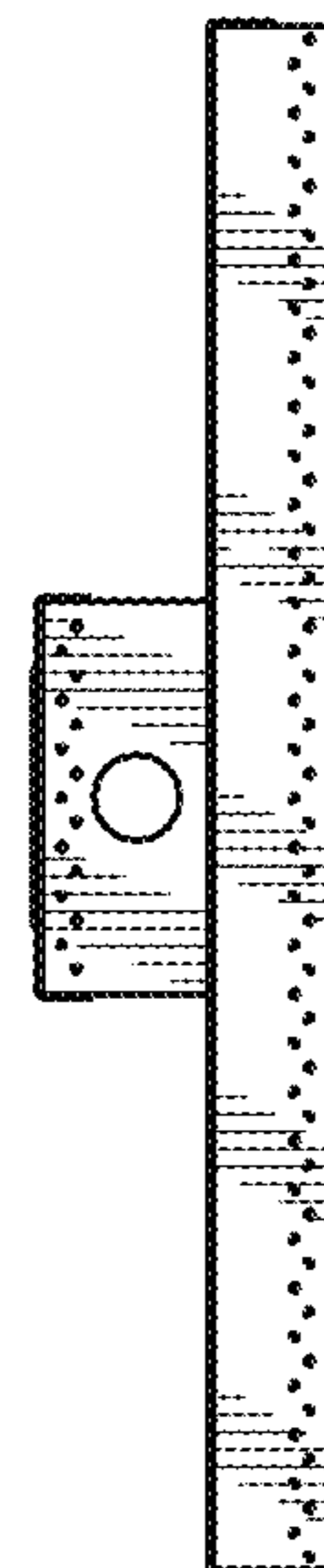


FIG. 29

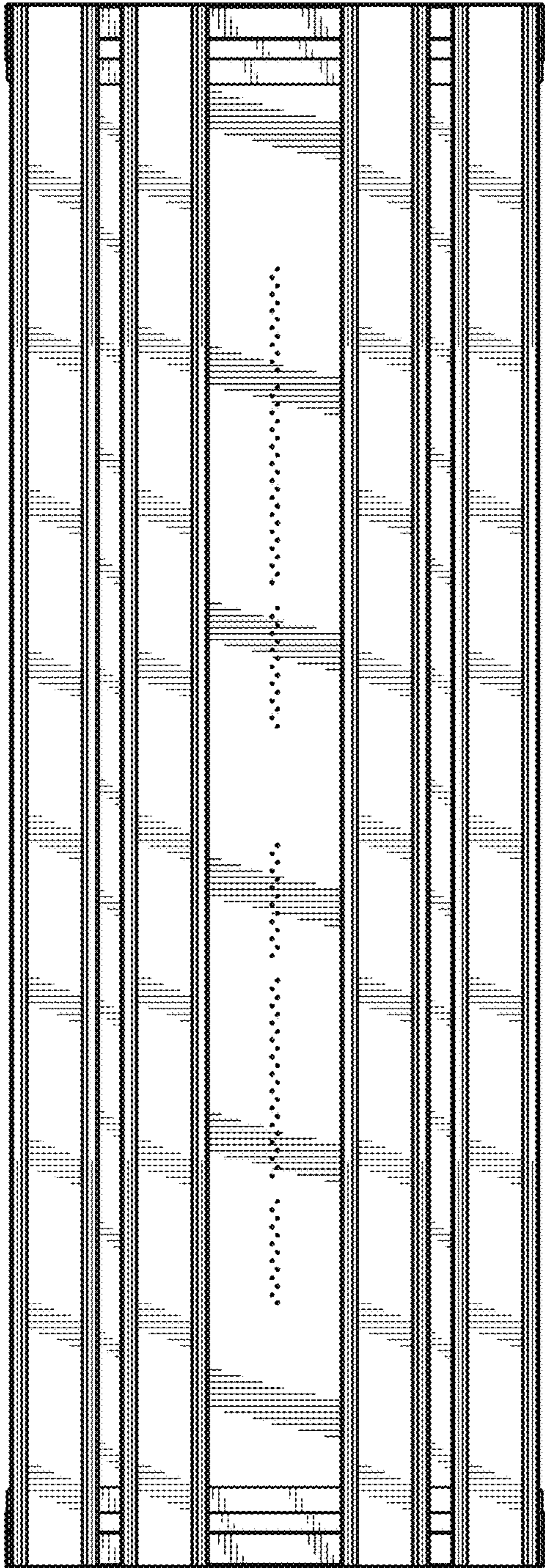


FIG. 31

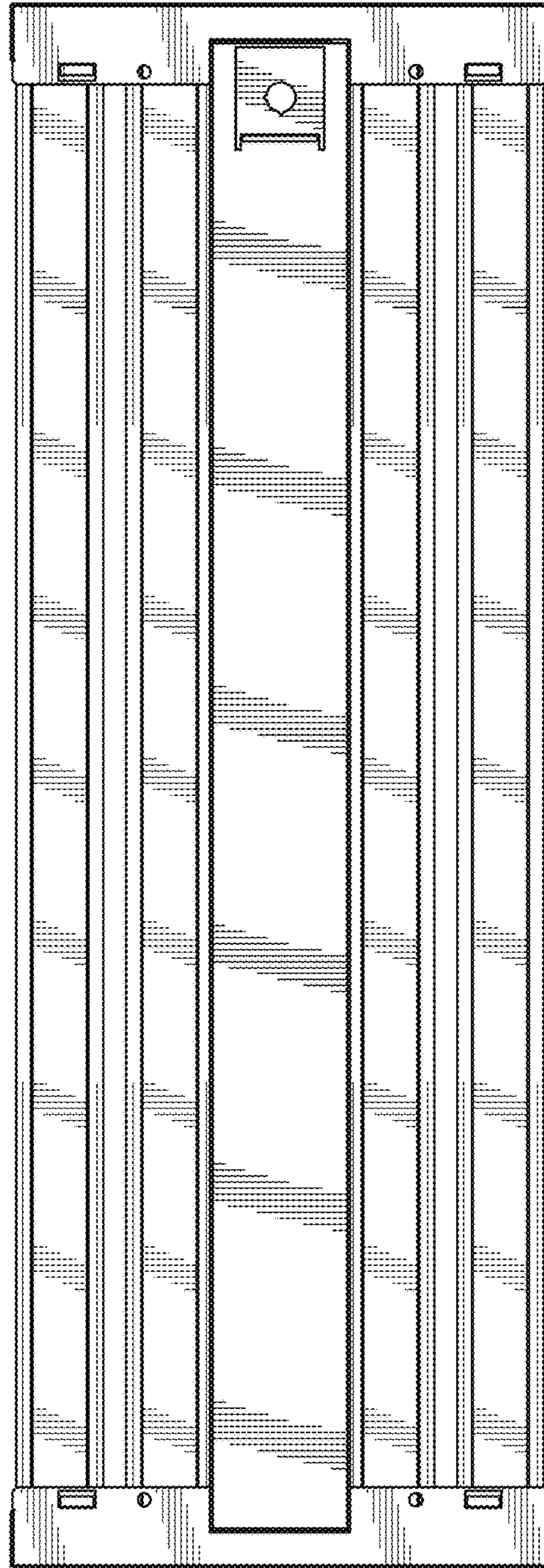


FIG. 32

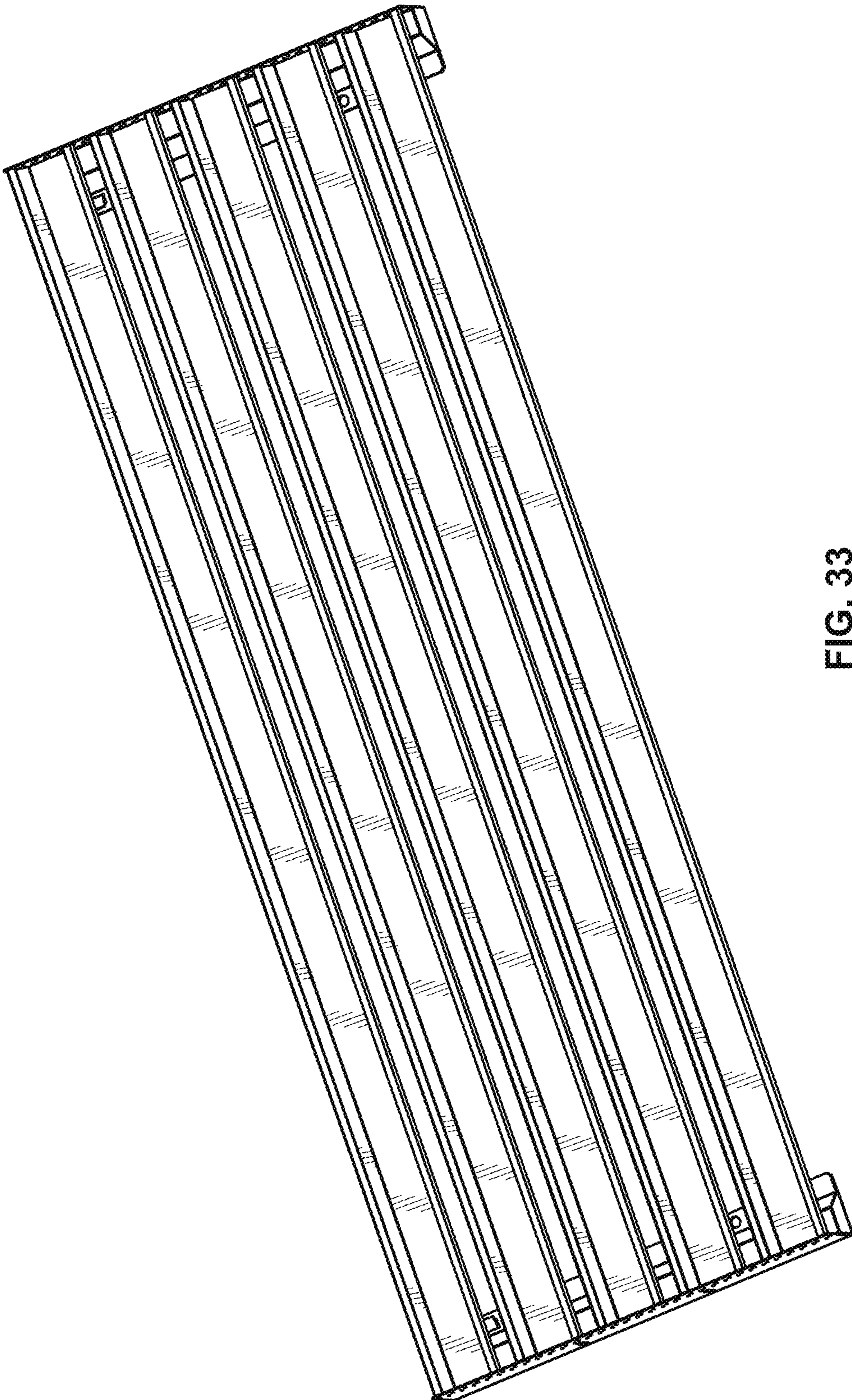


FIG. 33

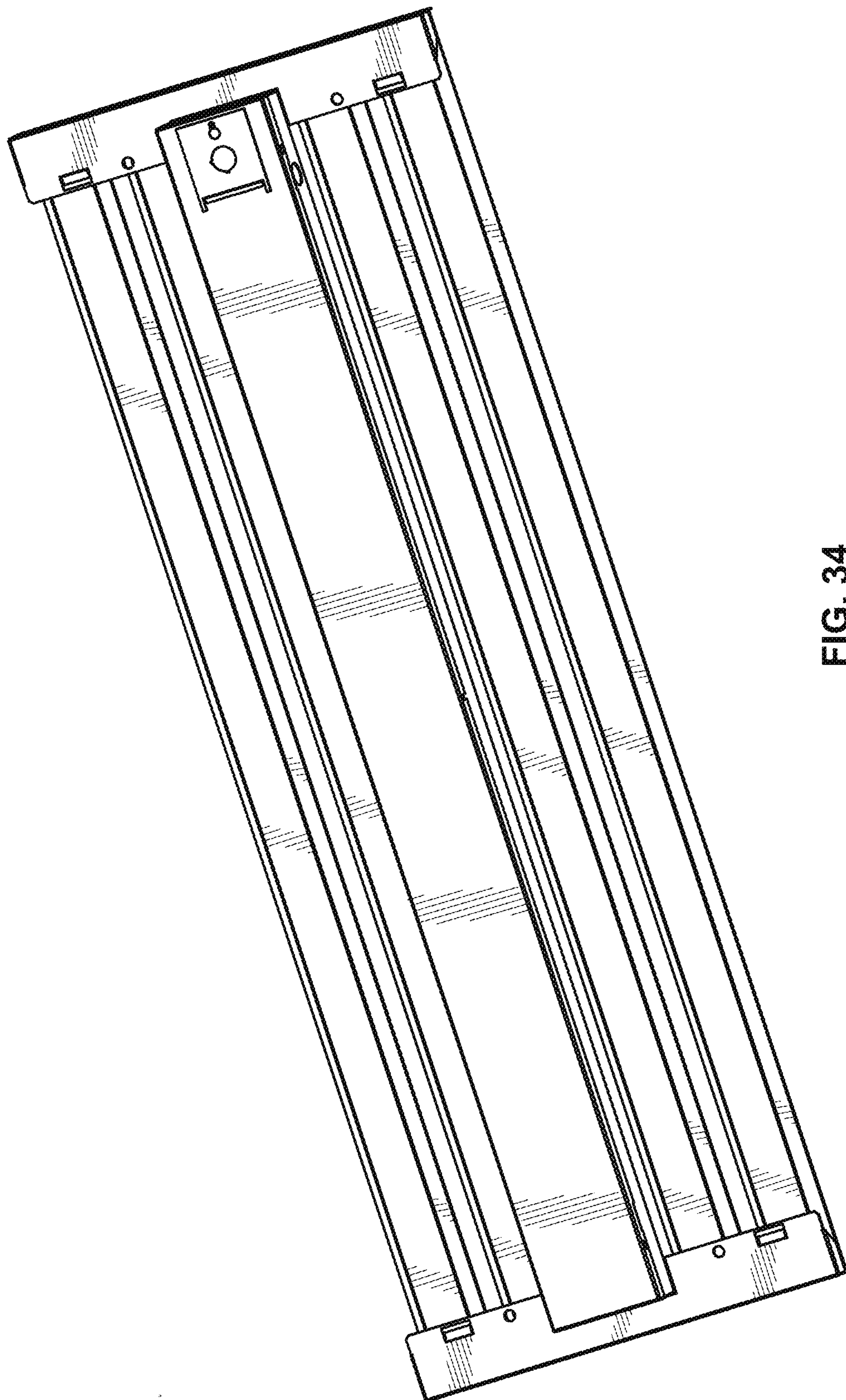


FIG. 34

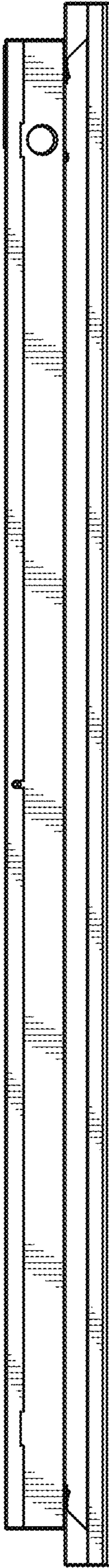


FIG. 35

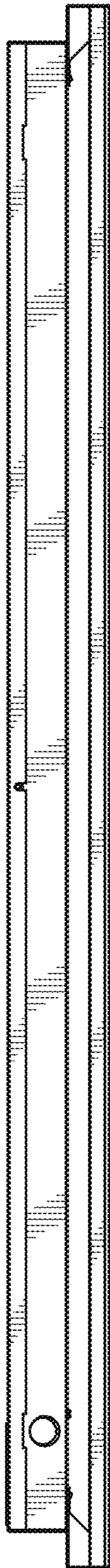


FIG. 36

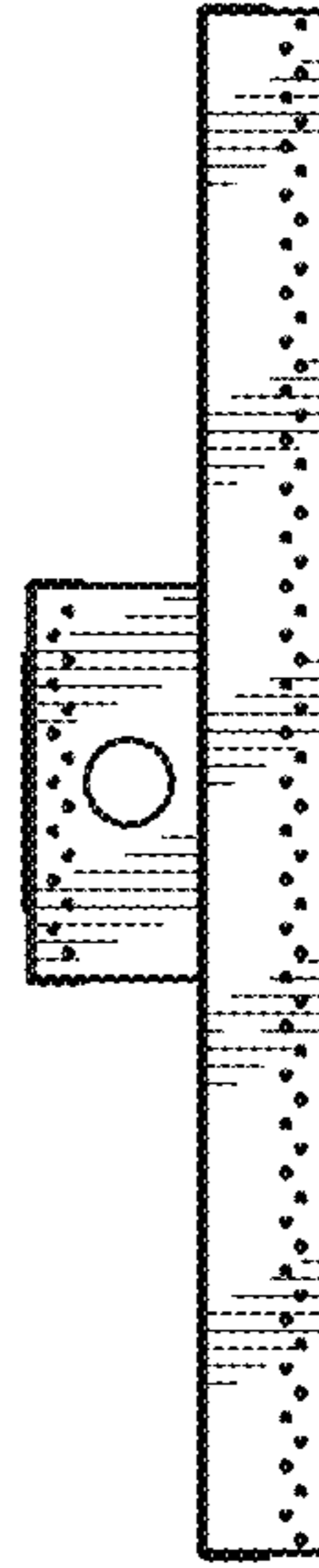


FIG. 37

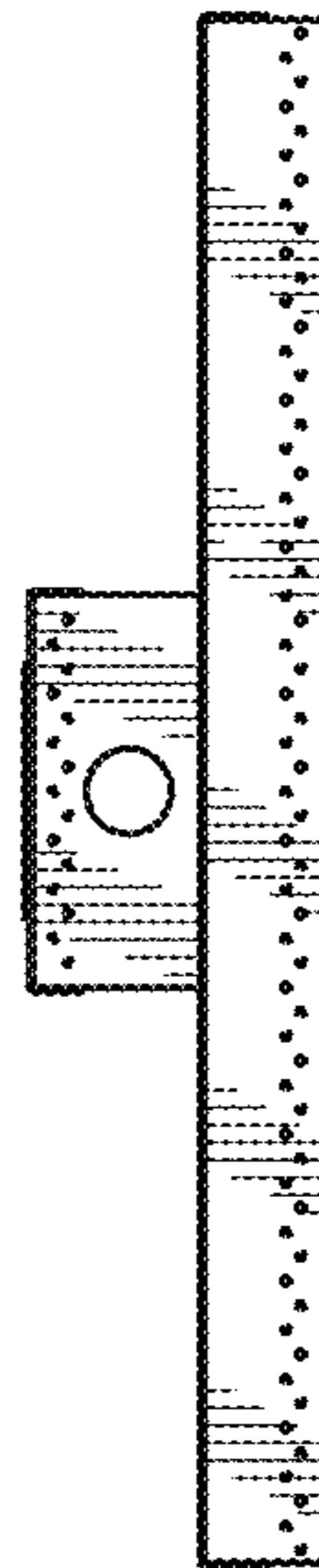


FIG. 38

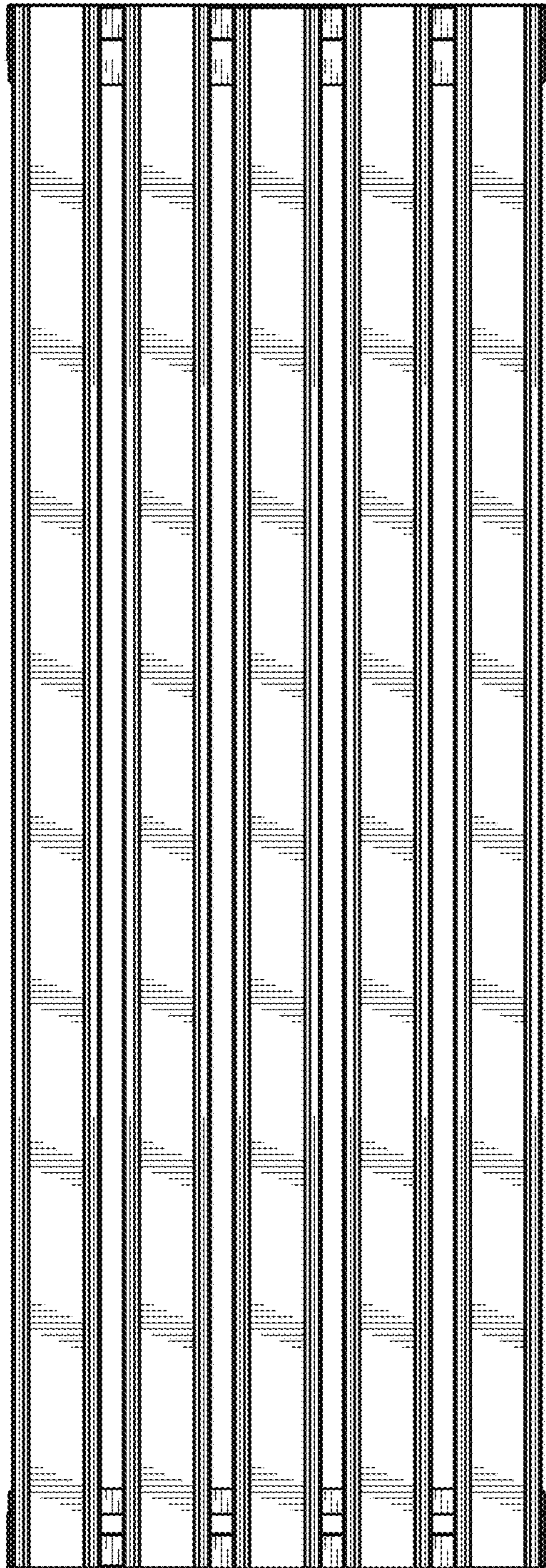


FIG. 39

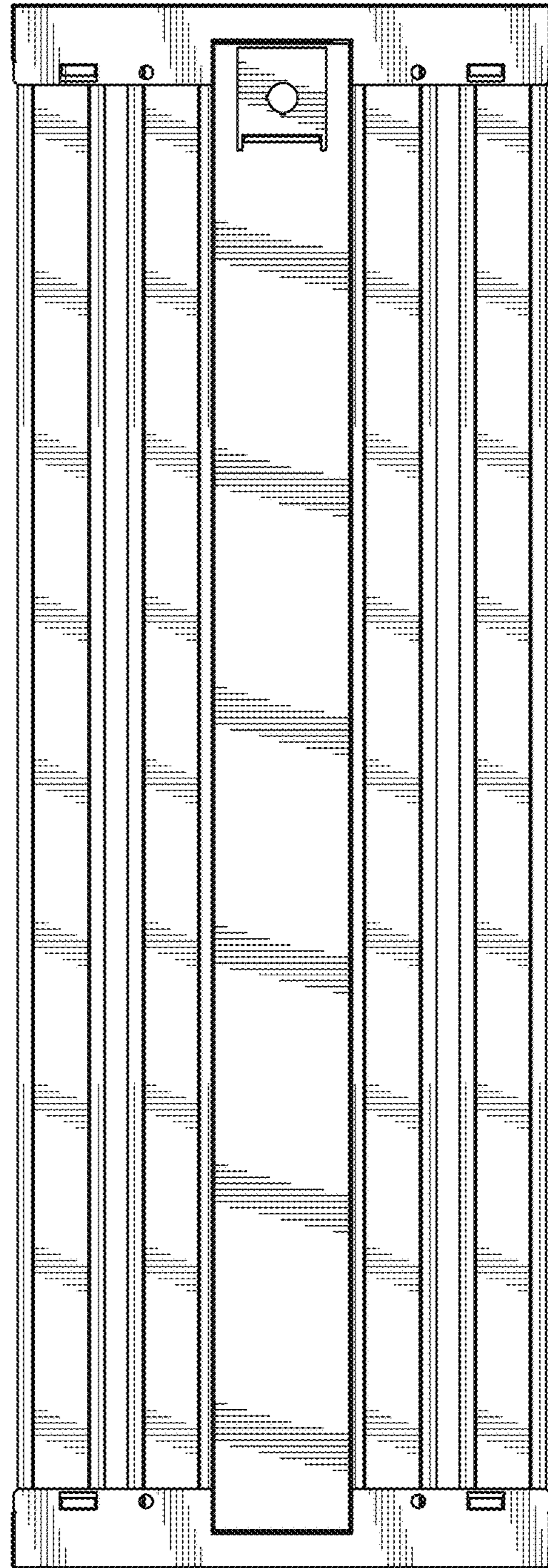


FIG. 40