



US00D805232S

(12) **United States Design Patent** (10) **Patent No.:** **US D805,232 S**  
**Volek et al.** (45) **Date of Patent:** **\*\* Dec. 12, 2017**

(54) **LAMP**

FOREIGN PATENT DOCUMENTS

(71) Applicant: **Humanscale Corporation**, New York, NY (US)

JP H0729710 6/1995

(72) Inventors: **Robert Volek**, Brooklyn, NY (US);  
**Sergio Andres Gier**, Brooklyn, NY (US)

OTHER PUBLICATIONS

Ardea Desk Light, Herman Miller, <http://www.hermanmiller.com/products/accessories/personal-task-lights/ardea-personal-light.html>, known at least as early as Jun. 7, 2016, 2 pgs.

(73) Assignee: **Humanscale Corporation**, New York, NY (US)

(Continued)

(\*\*) Term: **15 Years**

*Primary Examiner* — Brian N. Vinson

(21) Appl. No.: **29/567,411**

(74) *Attorney, Agent, or Firm* — Womble Bond Dickinson (US) LLP

(22) Filed: **Jun. 8, 2016**

(51) **LOC (10) Cl.** ..... **26-03**

(52) **U.S. Cl.**

USPC ..... **D26/63**

(58) **Field of Classification Search**

USPC ..... D26/1, 24, 61, 63, 65, 85, 93, 106, 107

CPC ..... F21V 21/14; F21V 15/01; F21V 14/02;

F21V 21/30; F21V 21/00; F21V 14/00;

F21S 8/00; F21S 8/003; F21S 8/043;

F21Y 2105/001

See application file for complete search history.

(57) **CLAIM**

We claim the ornamental design for a lamp, as shown and described.

**DESCRIPTION**

FIG. 1 is a top rear left perspective view of our new design in a first position;

FIG. 2 is a bottom front left perspective view thereof;

FIG. 3 is a top view thereof;

FIG. 4 is a bottom view thereof;

FIG. 5 is a front view thereof;

FIG. 6 is a rear view thereof; and

FIG. 7 is a left side view thereof, the right side view being a mirror image.

FIG. 8 is a left side view of our new design in a second position.

FIG. 9 is a left side view of our new design in a third position; and,

FIG. 10 is a left side view of our new design in a fourth position.

The views of the lamp not shown form no part of the claimed design. The dash-dash lines in the figures show features that form no part of the claimed design. The use of a separation and a bracket are included to show that the precise length of the broken member is not claimed.

(56) **References Cited**

U.S. PATENT DOCUMENTS

3,601,598 A 8/1971 Horn

D330,776 S \* 11/1992 Cvek ..... D26/65

6,663,266 B2 \* 12/2003 Huang ..... F21V 21/26

362/33

D623,788 S \* 9/2010 Huang ..... D26/65

D624,226 S \* 9/2010 Huang ..... D26/65

D690,861 S \* 10/2013 Huang ..... D26/65

D729,964 S \* 5/2015 Huh ..... D26/63

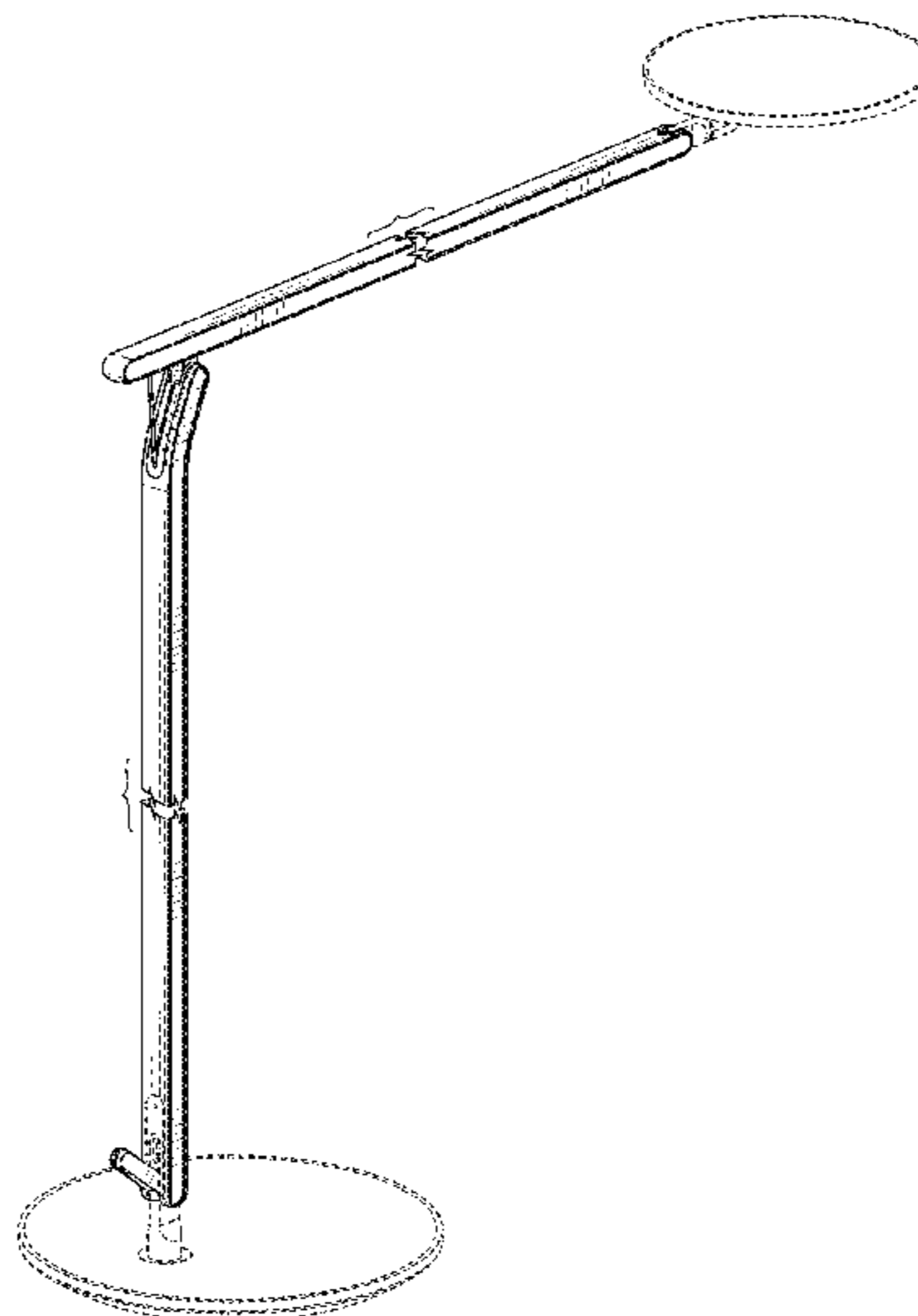
D744,683 S \* 12/2015 Fukasawa ..... D26/63

D765,900 S \* 9/2016 Oh ..... D26/63

2011/0051437 A1 3/2011 Ng et al.

(Continued)

**1 Claim, 8 Drawing Sheets**



(56)

**References Cited**

U.S. PATENT DOCUMENTS

2012/0294004 A1 11/2012 Stathis et al.  
2013/0301270 A1 11/2013 Ng et al.

OTHER PUBLICATIONS

Artemide Demetra Table Lighting, <http://artemide.net/product/demetra-table/>, known at least as early as Jun. 7, 2016, 3 pgs.

Artemide Tizio Table, <http://artemide.net/product/tizio-table/>, known at least as early as Jun. 7, 2016, 2 pgs.

Flos Kelvin LED Green Mode, <http://usaflos.com/modern-table-lamps/Kelvin-LED-Green-Mode-II>, known at least as early as Jun. 7, 2016, 2 pgs.

Herman Miller Tone Personal Light, <http://www.hermanmiller.com/products/accessories/personal-task-lights/tone-personal-light.html>, known at least as early as Jun. 7, 2016, 2 pgs.

Koncept Mosso Pro, <http://www.koncept.com/mosso-pro>, known at least as early as Jun. 7, 2016, 11 pgs.

Koncept Z-Bar, <http://www.koncept.com/Z-Bar>, known at least as early as Jun. 7, 2016, 10 pgs.

Link light, Pablo Studio, <http://pablodesigns.com/product/link>, known at least as early as Jun. 7, 2016, 8 pgs.

Roxxane LED Luminaire Family, <http://nimbus-lighting.com/en/products/features/roxxane>, known at least as early as Jun. 7, 2016, 13 pgs.

Steelcase Dash LED Task Light, <https://www.steelcase.com/products/lighting/dash/>, known at least as early as Jun. 7, 2016, 11 pgs.

\* cited by examiner

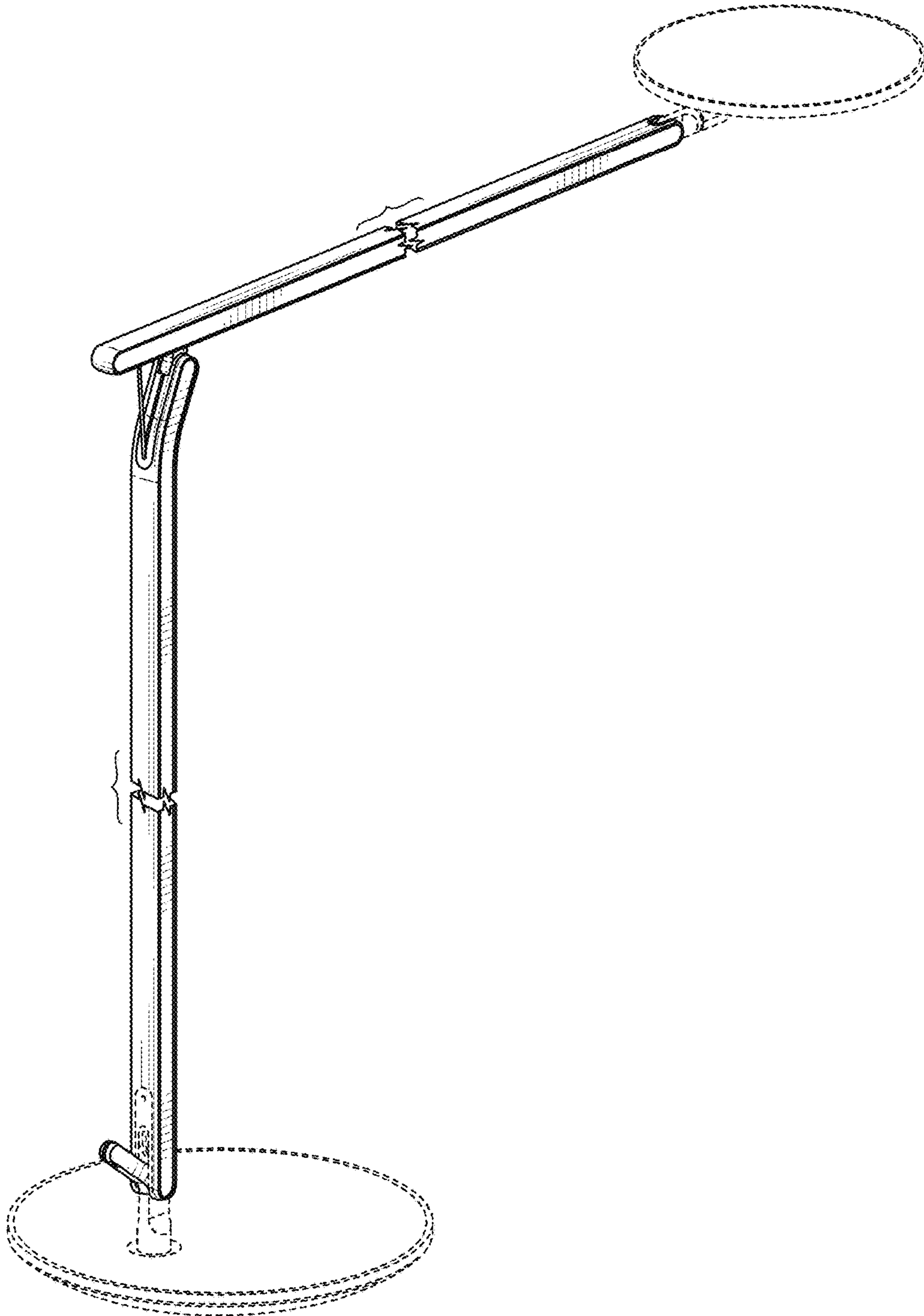


FIG. 1

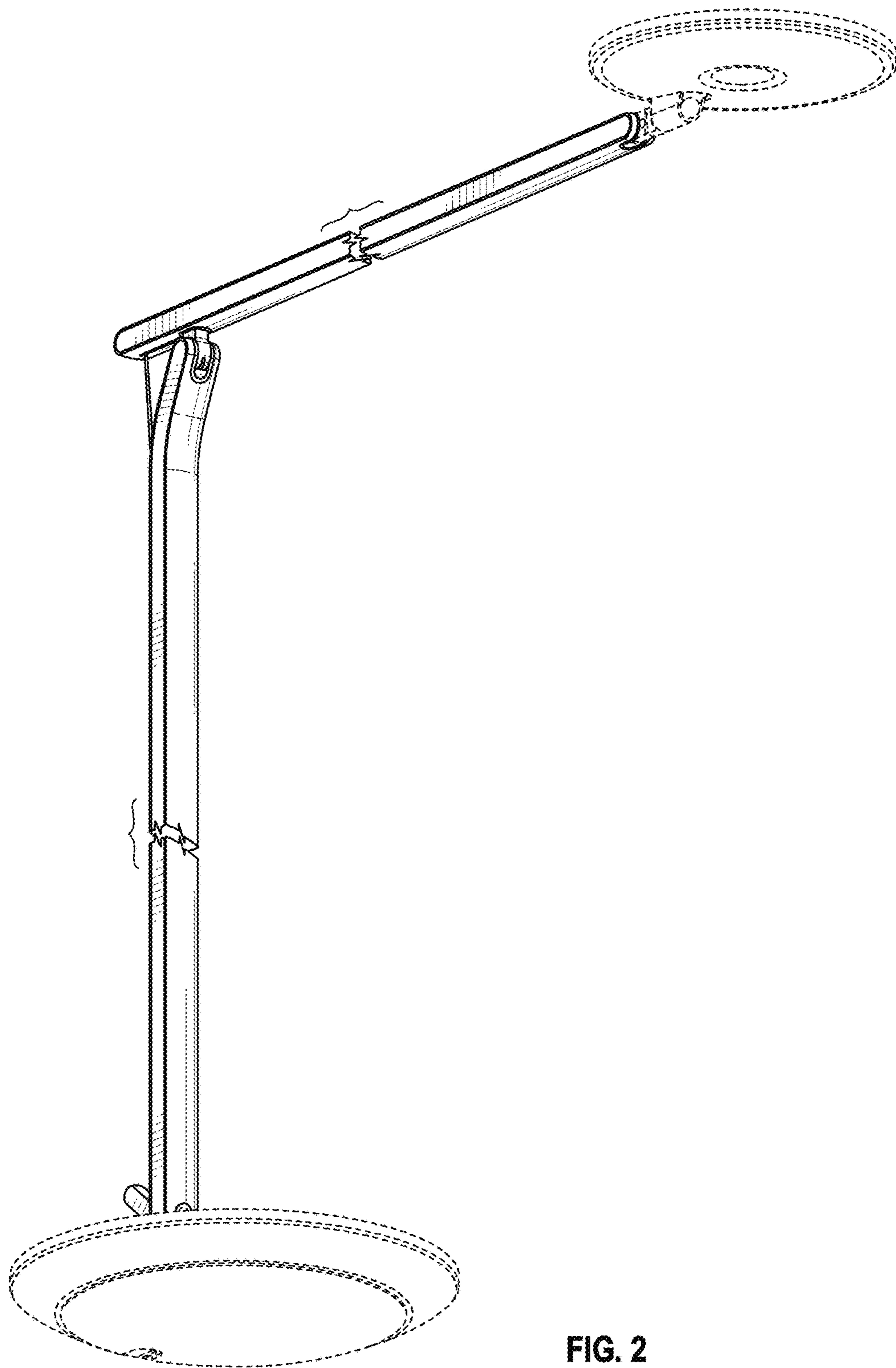


FIG. 2

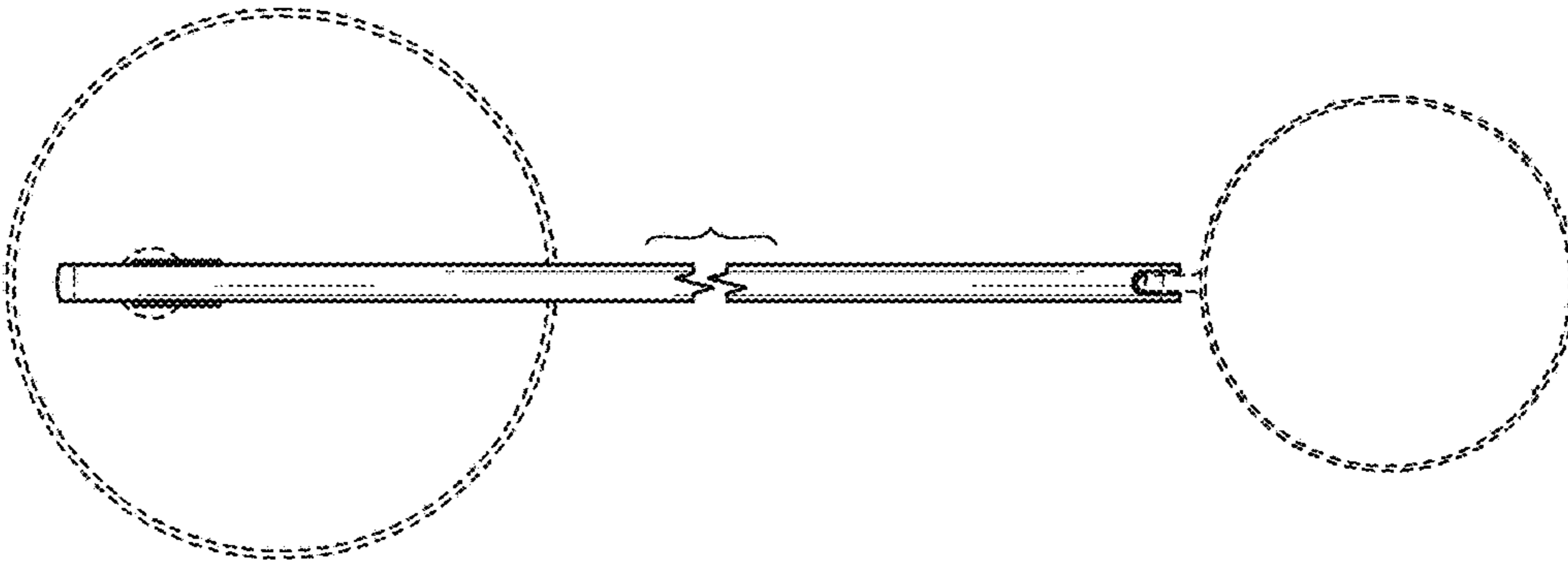


FIG. 3

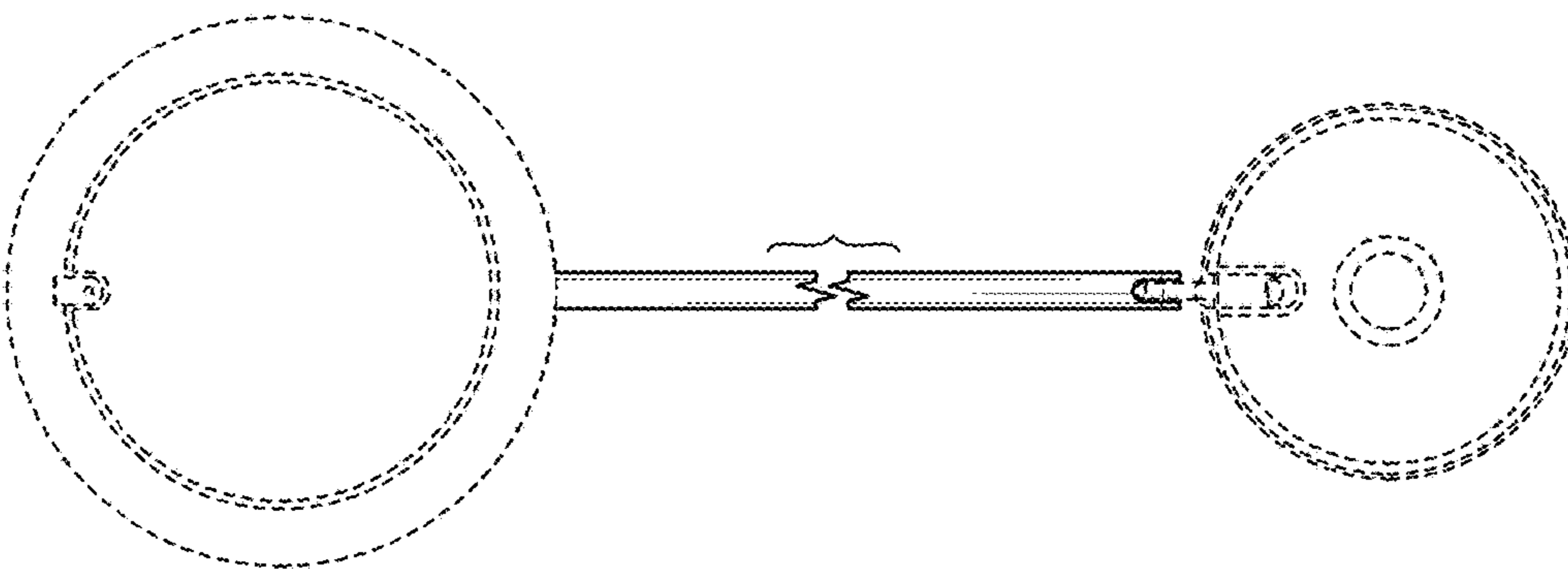


FIG. 4

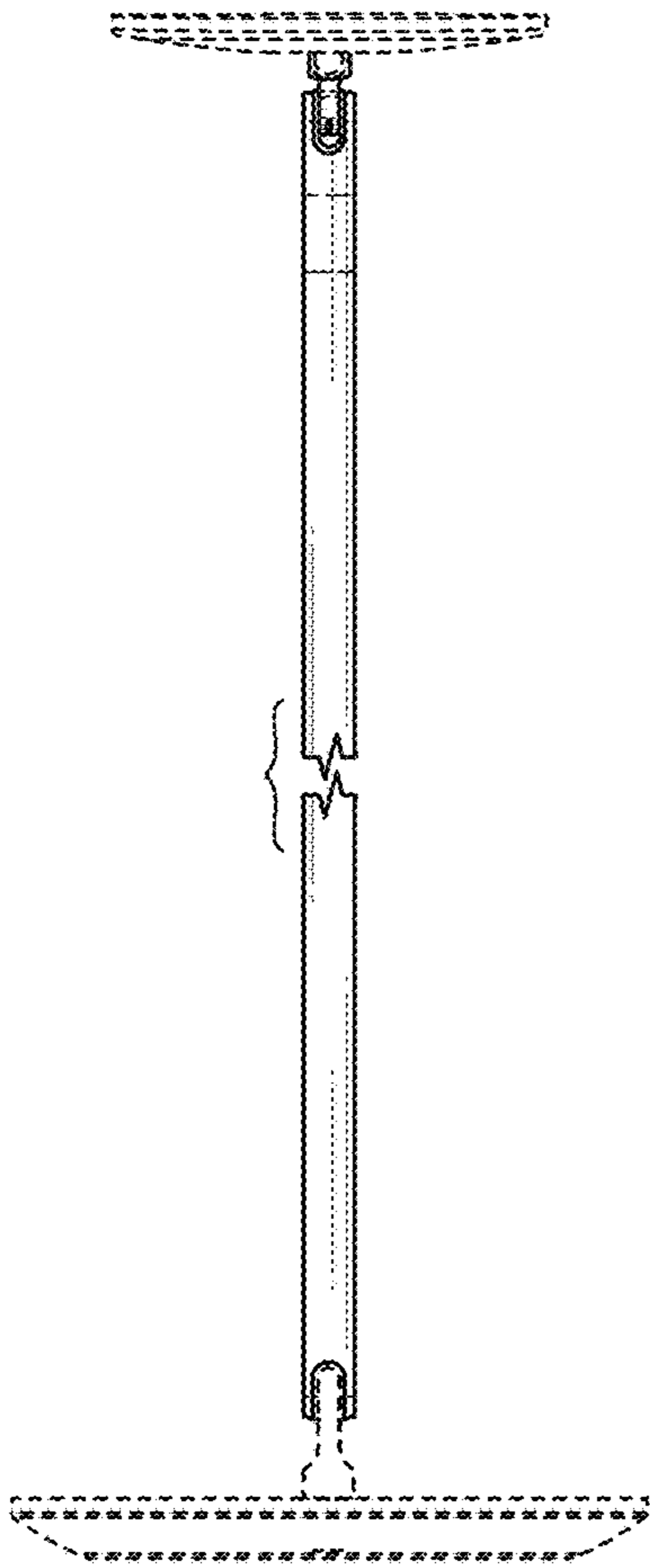


FIG. 5

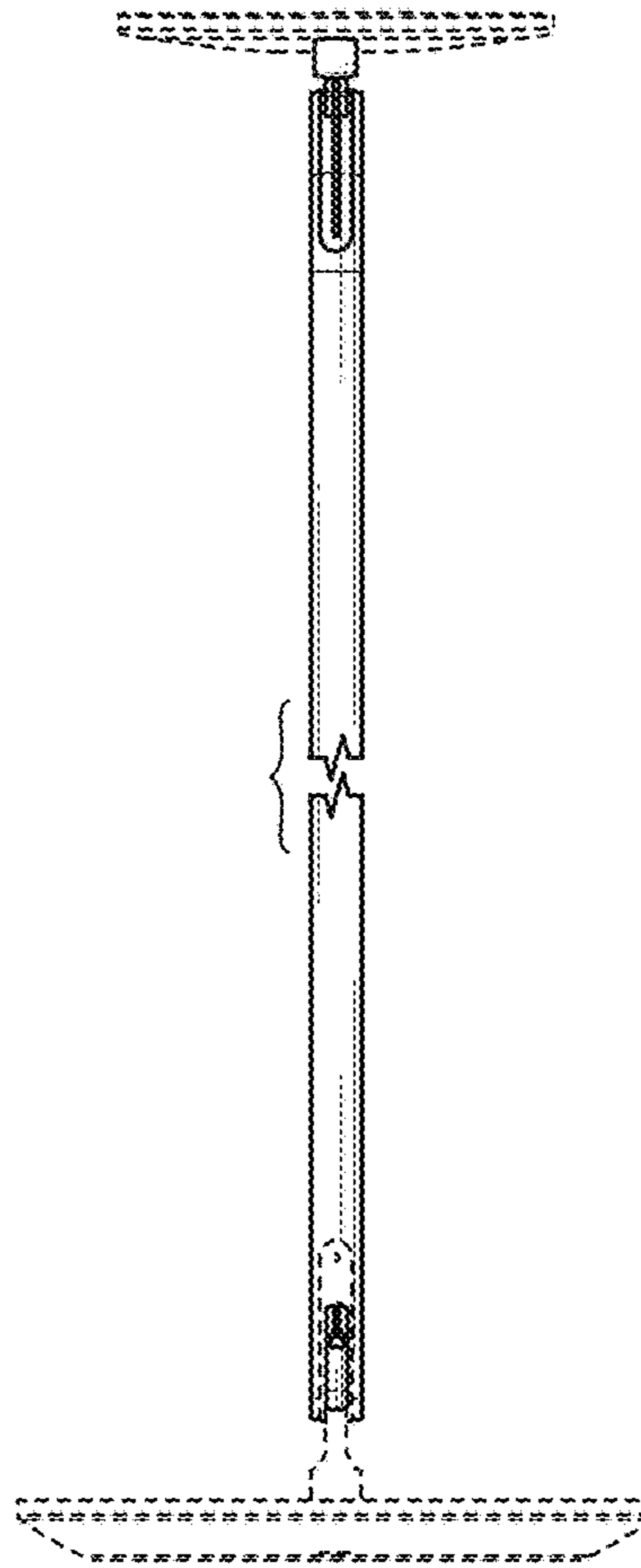


FIG. 6

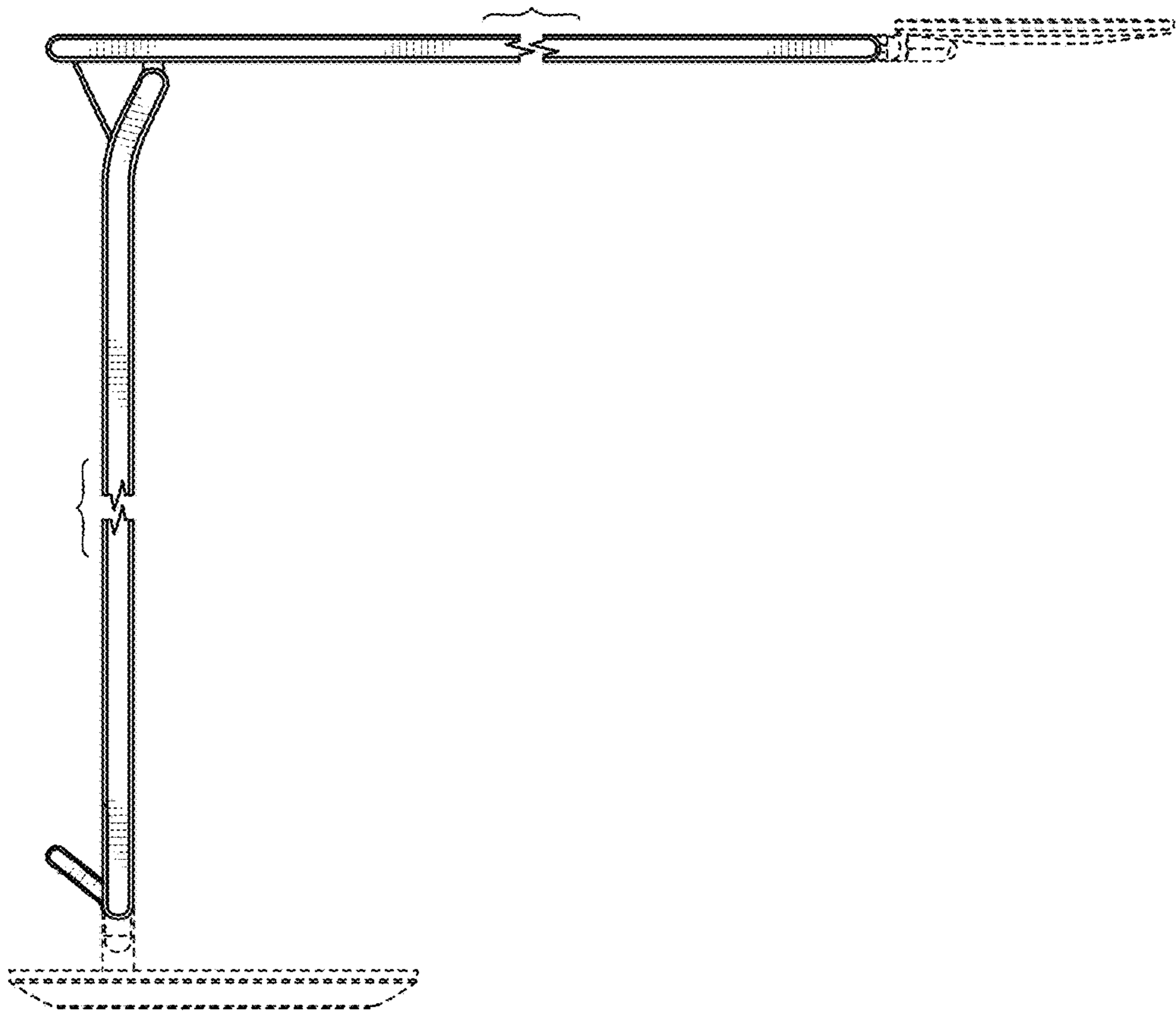


FIG. 7

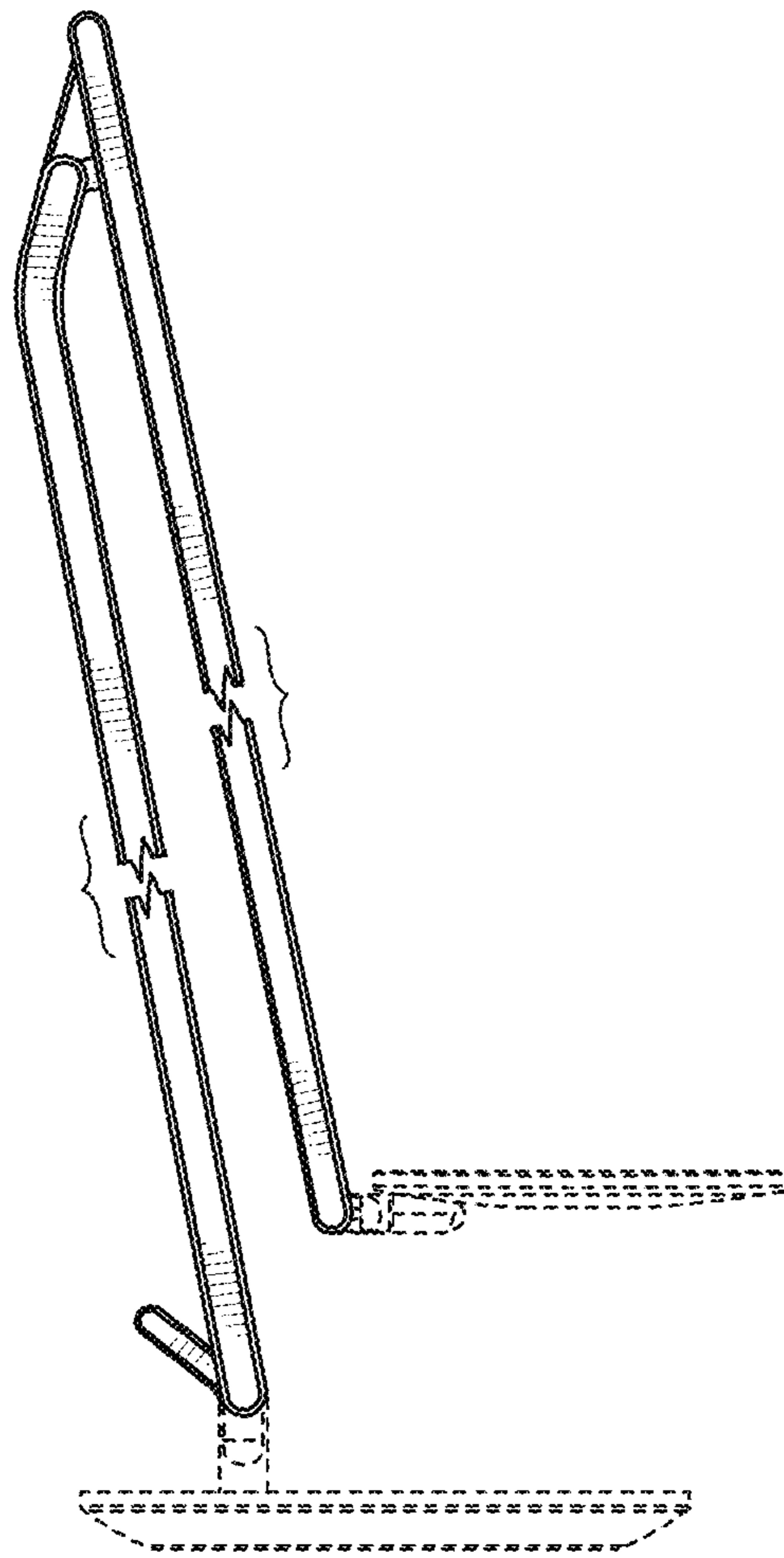


FIG. 8



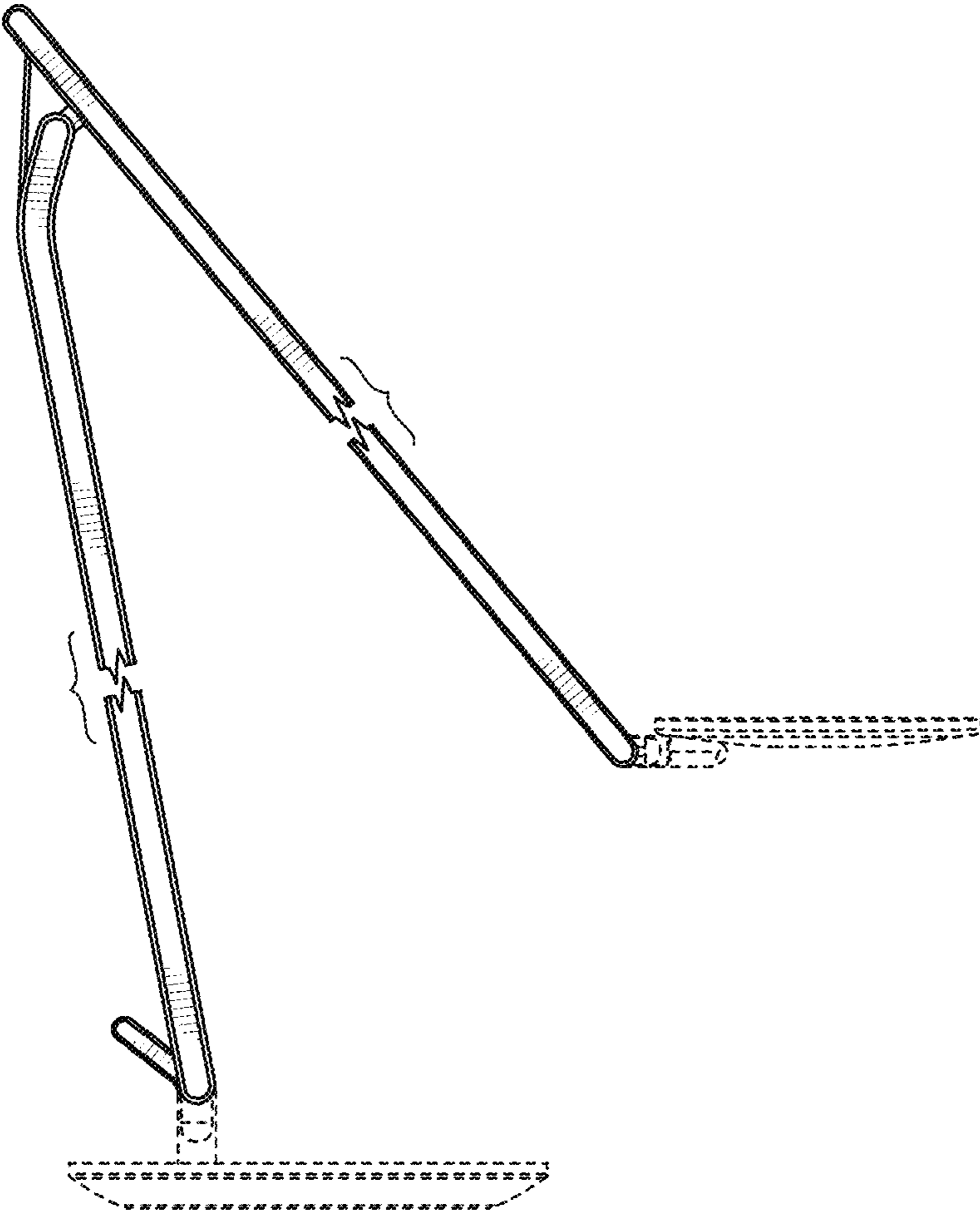


FIG. 9

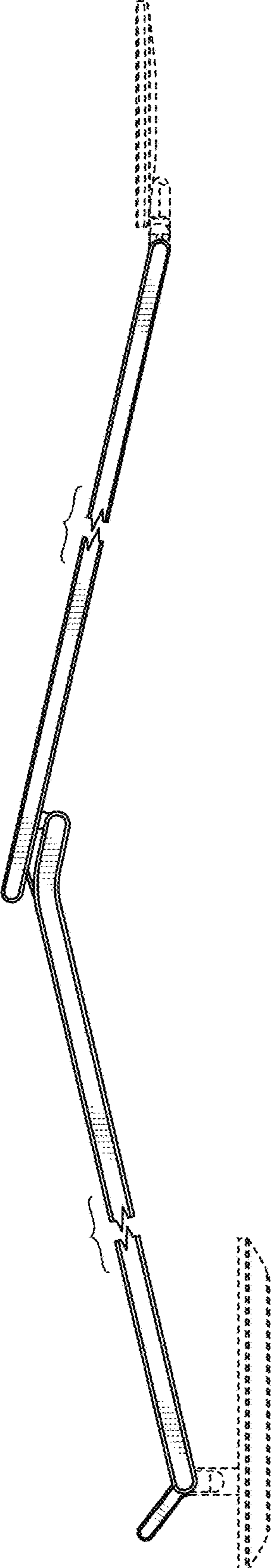


FIG. 10