

US00D805231S

(12) **United States Design Patent**  
**Negrone**

(10) **Patent No.:** **US D805,231 S**

(45) **Date of Patent:** **\*\* Dec. 12, 2017**

(54) **FLOOD LIGHT**

(71) Applicant: **Gerard Lighting Holdings Pty Ltd,**  
Rose Park (AU)

(72) Inventor: **Bryan Negrone,** Rose Park (AU)

(73) Assignee: **GERARD LIGHTING HOLDINGS**  
**PTY LTD,** South Australia (AU)

(\*\*) Term: **15 Years**

(21) Appl. No.: **29/556,892**

(22) Filed: **Mar. 3, 2016**

(30) **Foreign Application Priority Data**

Sep. 3, 2015 (AU) ..... 201514675

(51) **LOC (10) Cl.** ..... **26-05**

(52) **U.S. Cl.**  
USPC ..... **D26/63**

(58) **Field of Classification Search**

USPC ..... D26/24, 63, 72, 80, 84, 88, 89, 118, 152

CPC .... F21S 8/04; F21S 8/026; F21S 8/033; F21S  
8/036; F21S 8/03; F21S 8/043; F21S  
8/046; F21S 8/06; F21S 8/061; F21S  
8/063; F21S 8/068; F21S 13/02; F21V  
21/04; F21V 17/02; F21V 17/04; F21V  
17/164

See application file for complete search history.

(56) **References Cited**

**U.S. PATENT DOCUMENTS**

D220,118 S \* 3/1971 Tawll et al. .... D26/63  
D339,649 S \* 9/1993 Klossner ..... D26/63

D357,548 S \* 4/1995 Mattijssen ..... D26/63  
D591,883 S \* 5/2009 Gill ..... D26/63  
7,780,318 B2 \* 8/2010 Xiao ..... F21V 21/30  
248/200  
D679,440 S \* 4/2013 Smith ..... D26/76  
D689,234 S \* 9/2013 Zhang ..... D26/72  
D693,501 S \* 11/2013 Kochman ..... D26/63  
D694,934 S \* 12/2013 Zheng ..... D26/63  
D761,472 S \* 7/2016 Zhu ..... D26/63  
2010/0296287 A1 \* 11/2010 Huang ..... F21V 15/013  
362/249.02

\* cited by examiner

*Primary Examiner* — Clare E Heflin

(74) *Attorney, Agent, or Firm* — Mintz, Levin, Cohn,  
Ferris, Glovsky and Popeo, P.C.

(57) **CLAIM**

The ornamental design for a flood light, as shown and described.

**DESCRIPTION**

FIG. 1 is a top front isometric view of a flood light showing the new design;

FIG. 2 is a top view thereof;

FIG. 3 is a top back isometric view thereof;

FIG. 4 is a front view thereof;

FIG. 5 is a back view thereof;

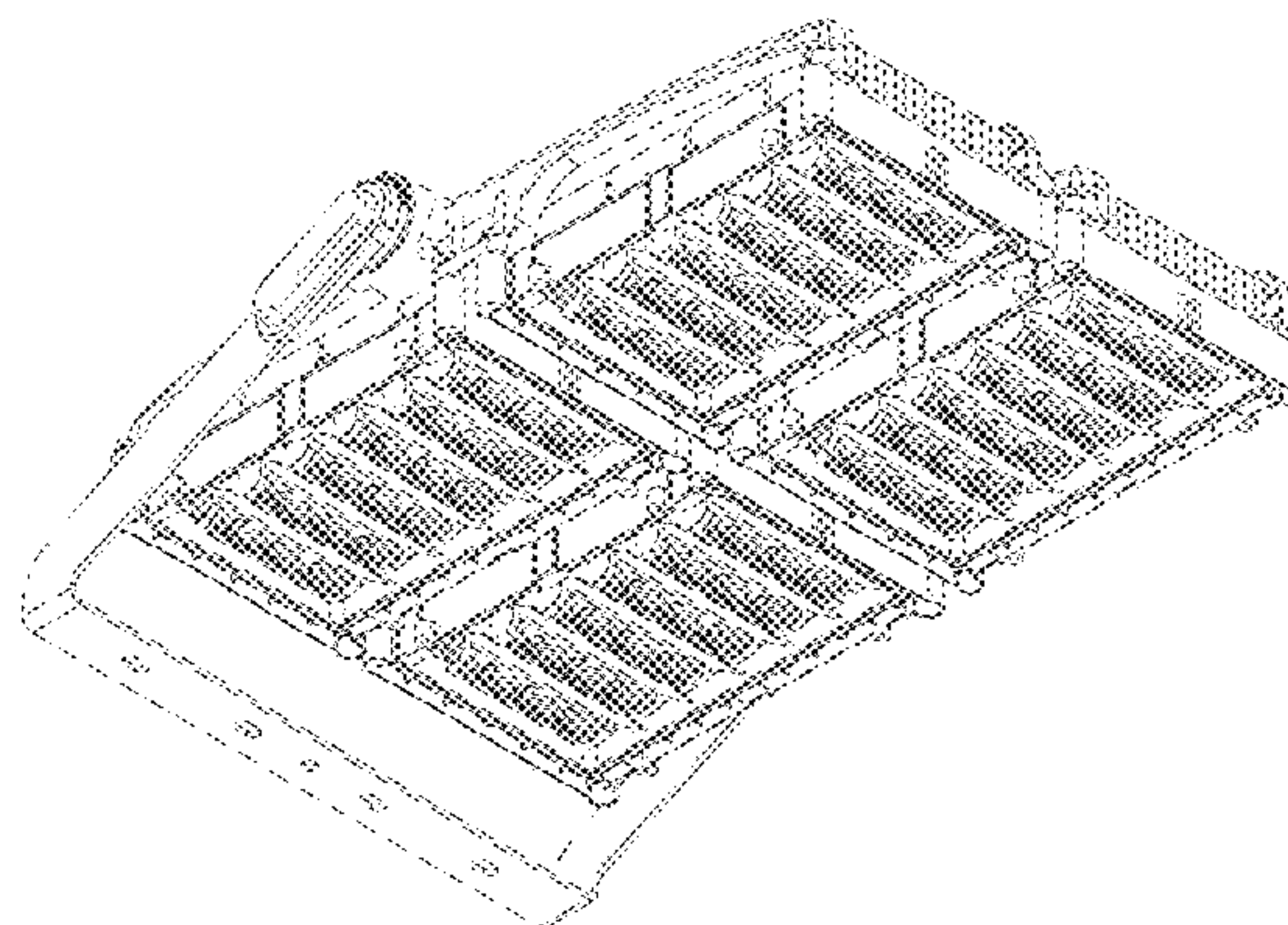
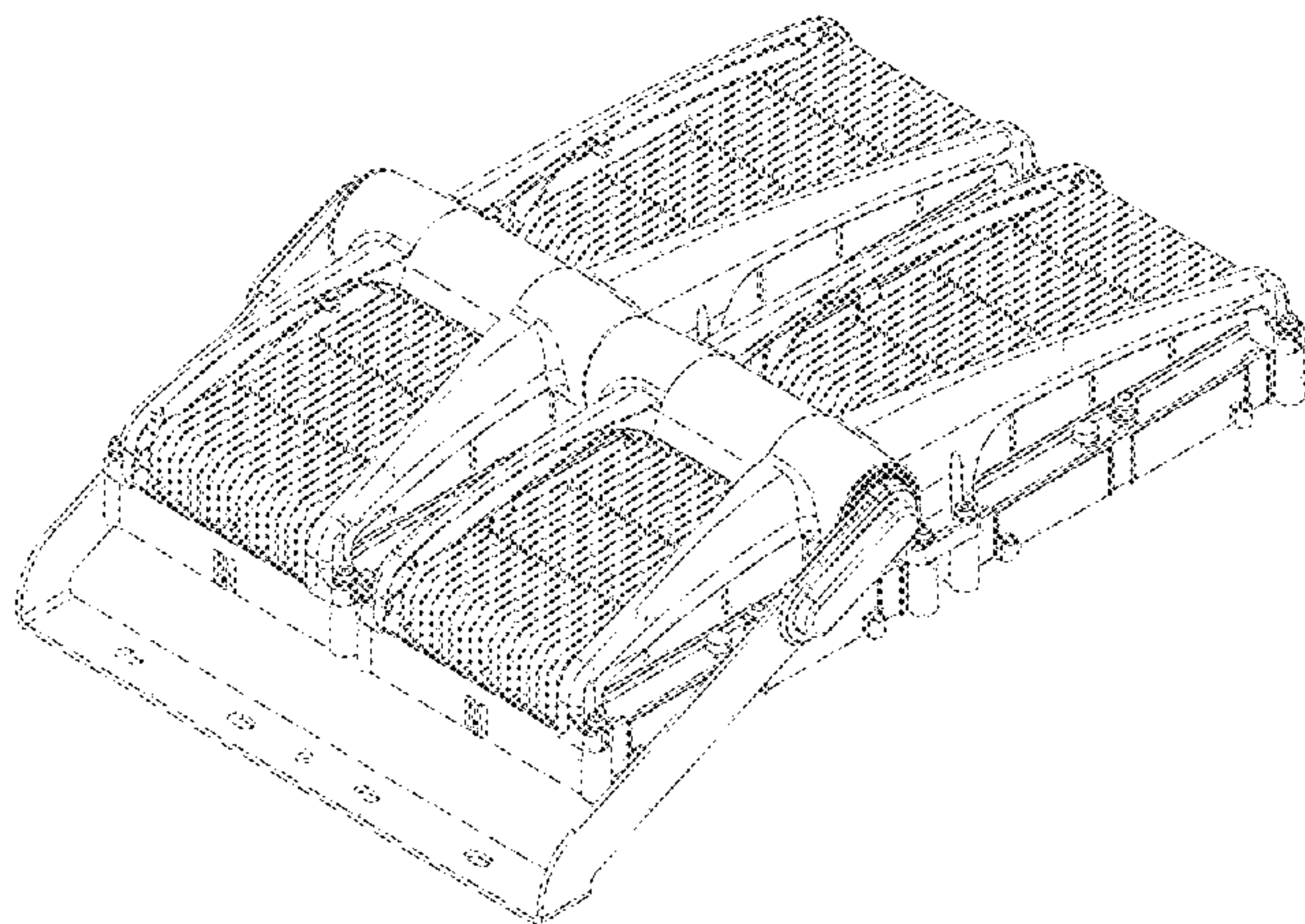
FIG. 6 is a side view thereof;

FIG. 7 is a bottom view thereof; and,

FIG. 8 is a bottom front isometric view thereof.

The broken lines shown in FIG. 7 represent an interchangeable lens cover and form no part of the claimed design.

**1 Claim, 8 Drawing Sheets**



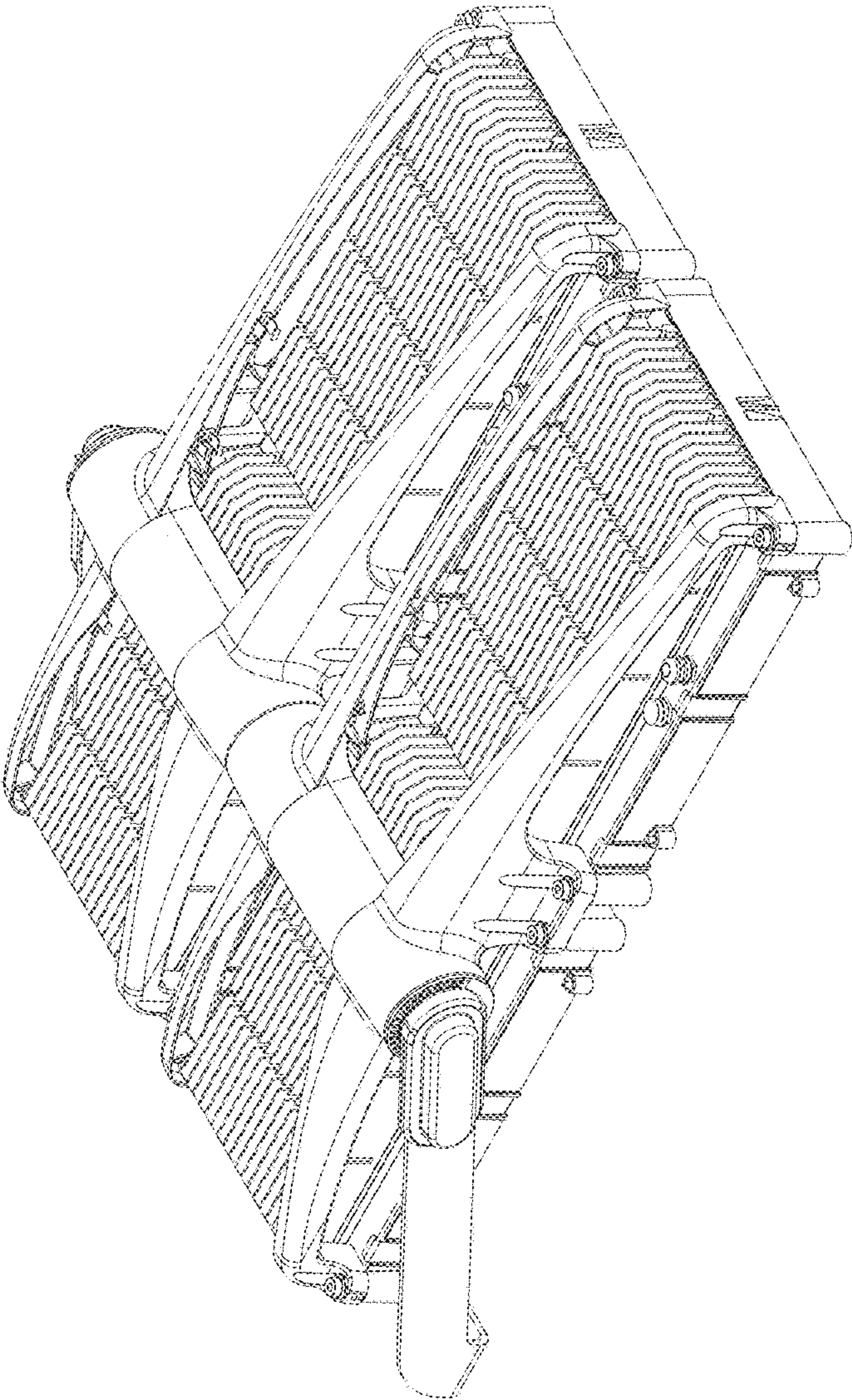


FIG. 1



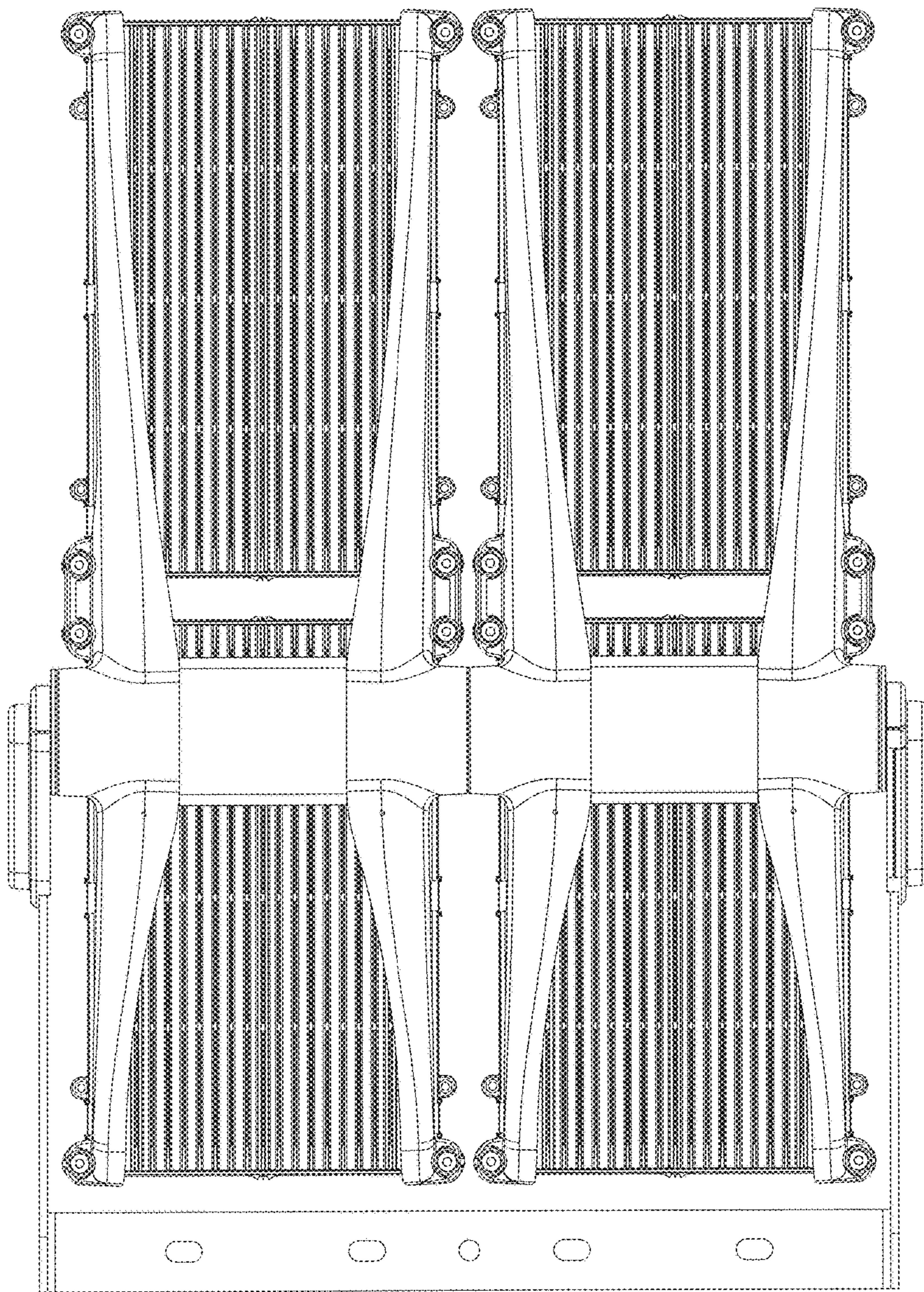


FIG. 2



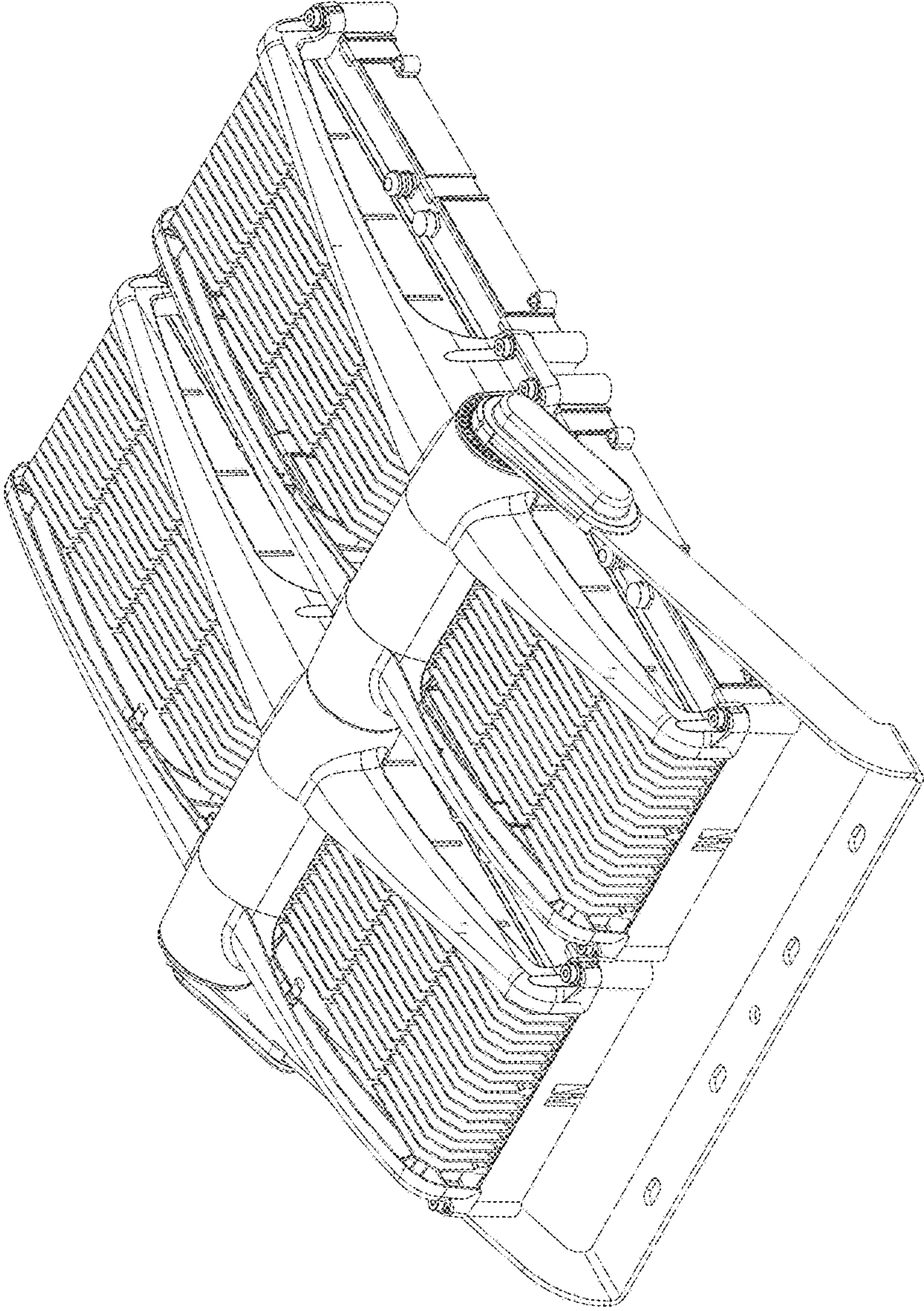
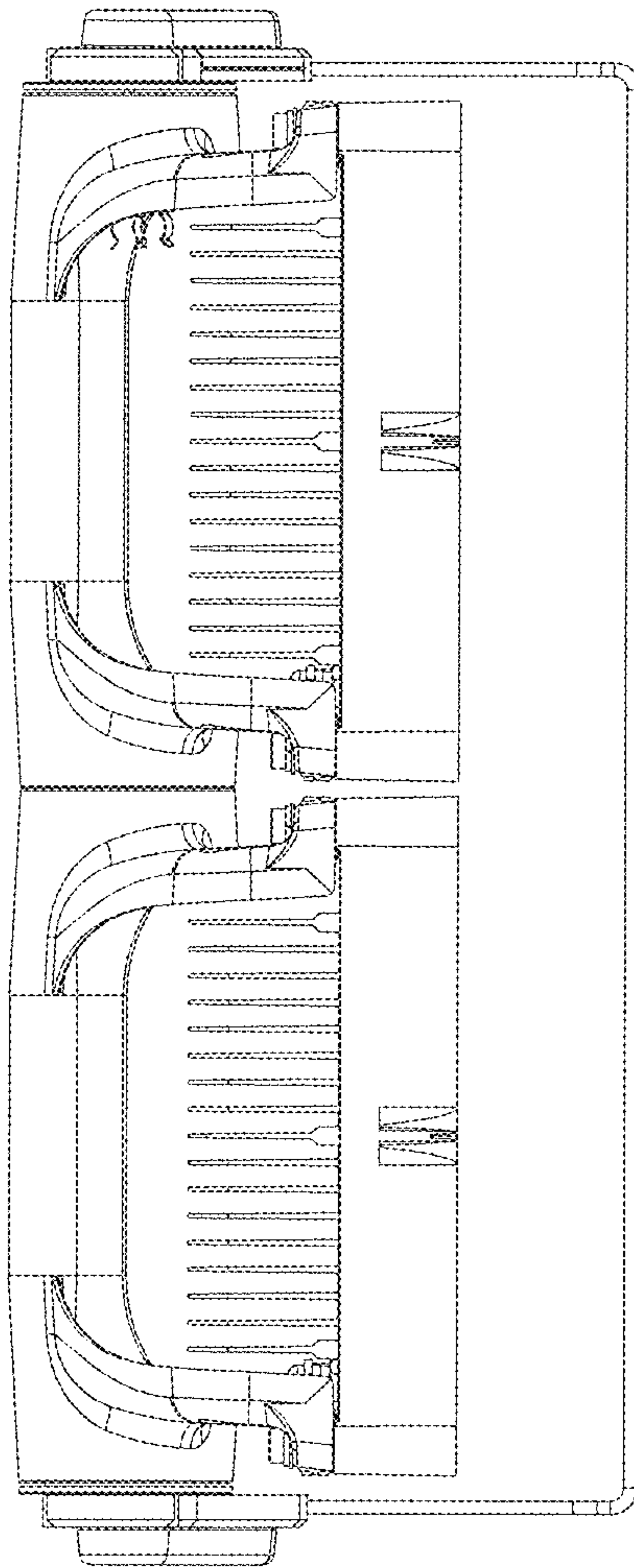


FIG. 3



**FIG. 4**

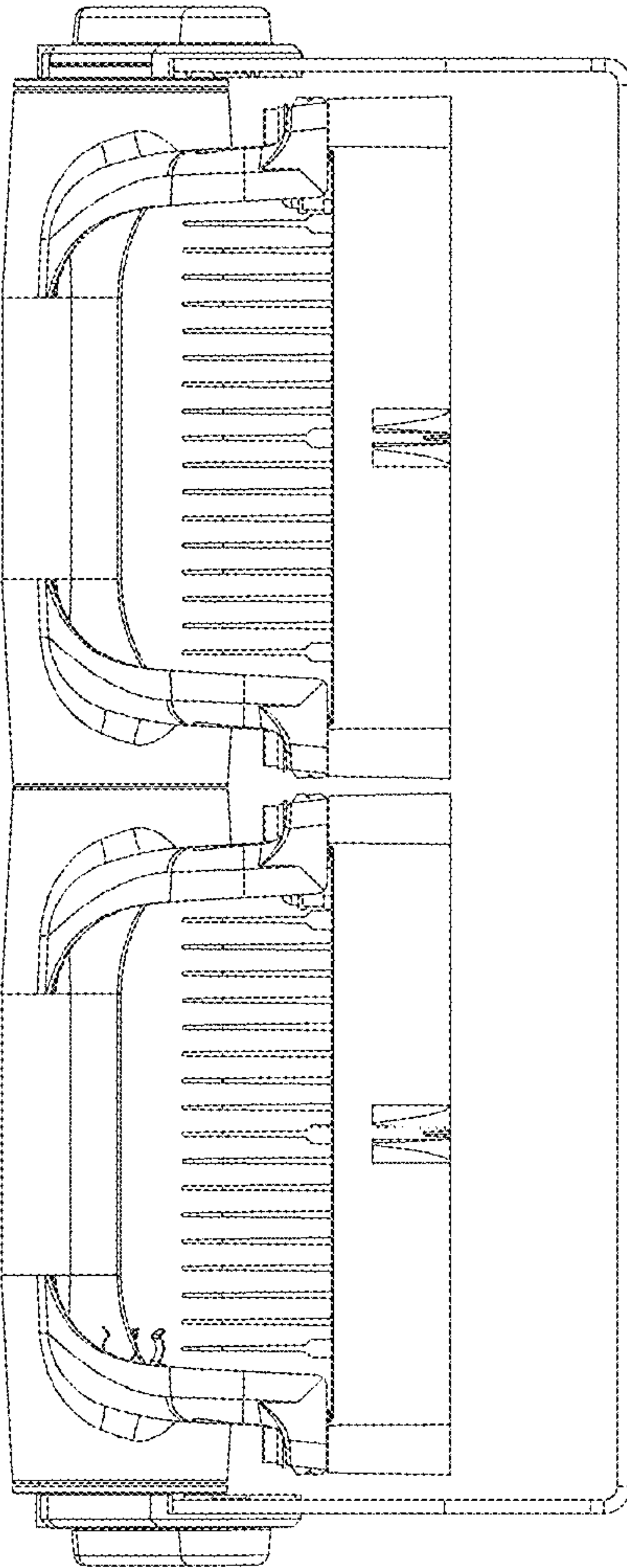


FIG. 5

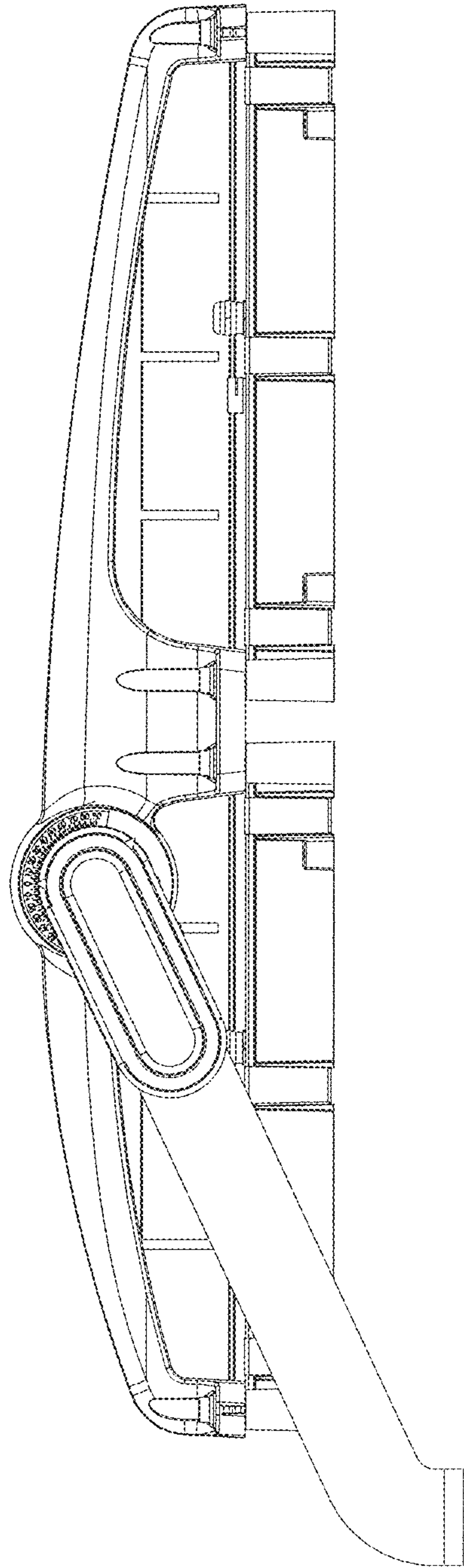


FIG. 6



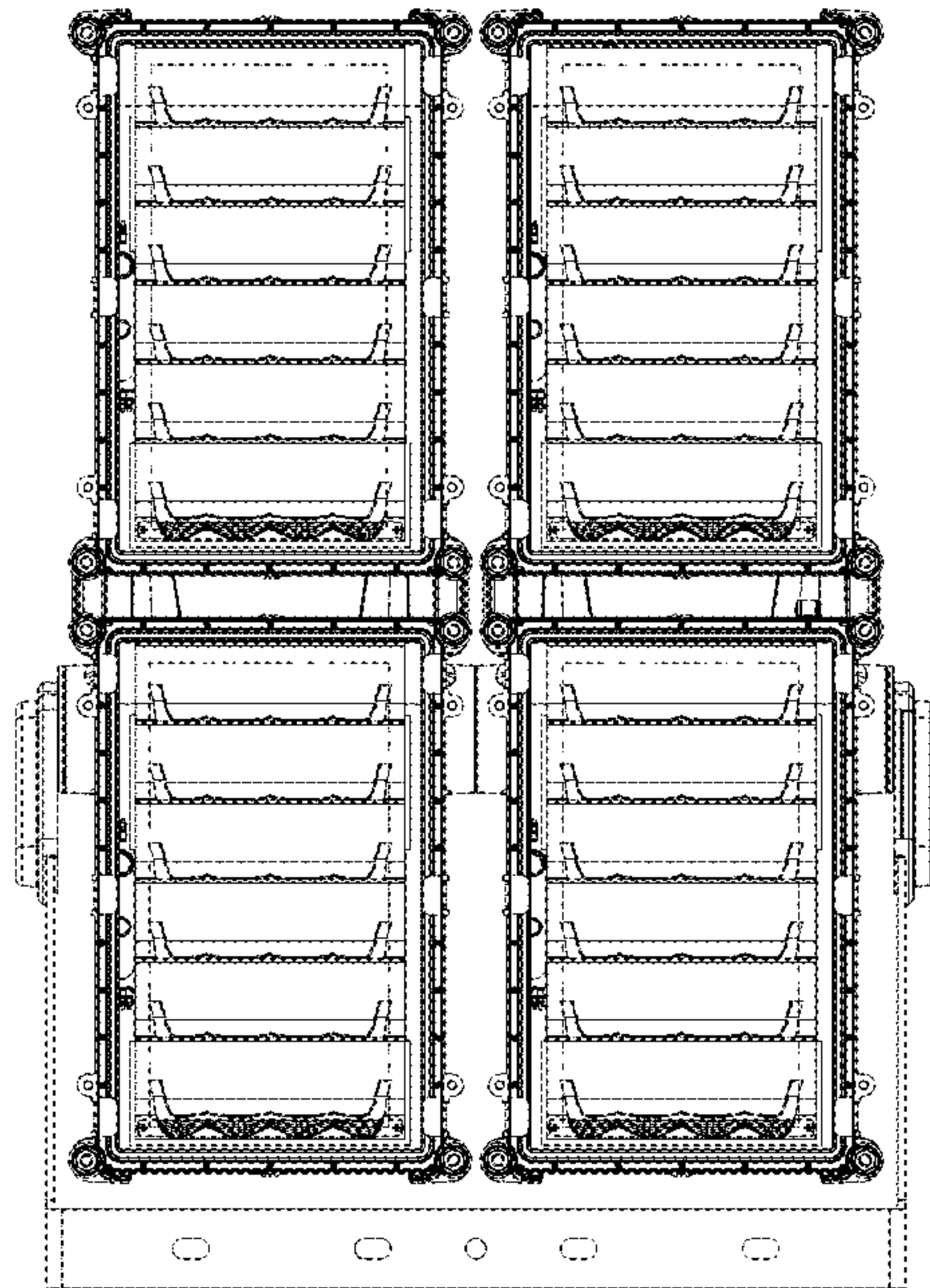


FIG. 7



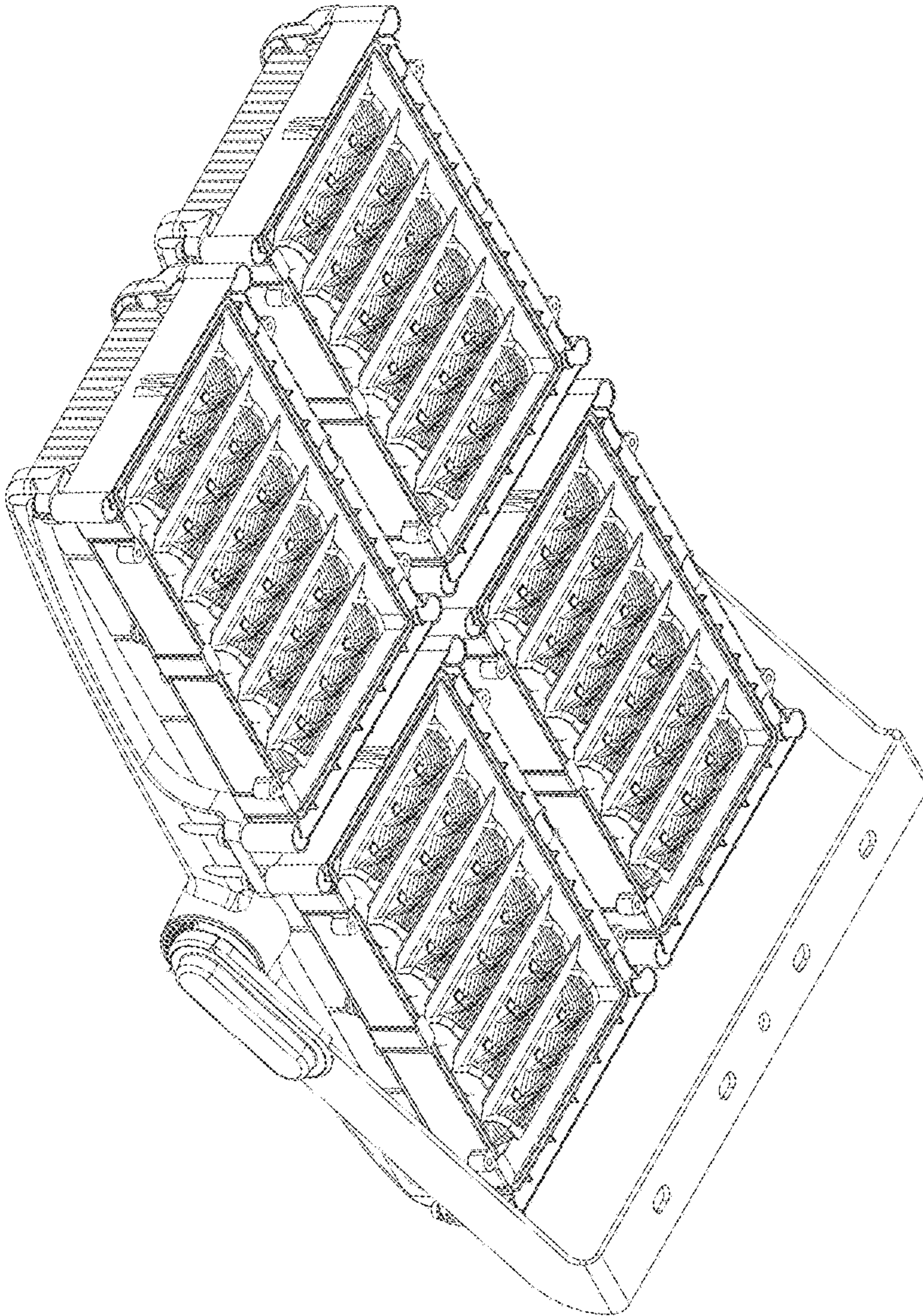


FIG. 8