



US00D805228S

(12) **United States Design Patent** (10) **Patent No.:** **US D805,228 S**
Morgenstern (45) **Date of Patent:** **** Dec. 12, 2017**

(54) **TAILLIGHT FOR A VEHICLE**
(71) Applicant: **Bayerische Motoren Werke Aktiengesellschaft, Munich (DE)**
(72) Inventor: **Sebastian Morgenstern, Munich (DE)**
(73) Assignee: **Bayerische Motoren Werke Aktiengesellschaft, Munich (DE)**
(**) Term: **15 Years**
(21) Appl. No.: **29/581,559**
(22) Filed: **Oct. 20, 2016**
(30) **Foreign Application Priority Data**

Apr. 21, 2016 (DE) 40 2016 100 514

(51) **LOC (10) Cl.** **26-06**
(52) **U.S. Cl.**
USPC **D26/28**
(58) **Field of Classification Search**
USPC D26/28-36; 362/80-83, 267-269,
362/459-468, 475-478, 485-487
CPC F21S 48/00; F21S 48/10; F21S 48/115;
F21S 48/1233; F21S 48/1266; F21S
48/1388; F21S 48/2268; F21V 21/04
See application file for complete search history.

(56) **References Cited**

U.S. PATENT DOCUMENTS

D450,142 S * 11/2001 Horowitz D26/28
D461,919 S * 8/2002 Horowitz D26/28

D490,177 S * 5/2004 Li D26/28
D509,005 S * 8/2005 Iwasaki D26/28
D522,672 S * 6/2006 Hirai D26/28
D642,711 S 8/2011 Schneider
D667,973 S * 9/2012 Schneider D26/28
D756,001 S 5/2016 Schneider

FOREIGN PATENT DOCUMENTS

WO WO DM/072780 6/2010

* cited by examiner

Primary Examiner — Marcus Jackson

(74) *Attorney, Agent, or Firm* — Crowell & Moring LLP

(57) **CLAIM**

The ornamental design for a taillight for a vehicle, as shown and described.

DESCRIPTION

This application contains subject matter related to the following co-pending U.S. design patent application:

Application Ser. No. 29/581,560, filed herewith and entitled "Taillight for a Vehicle".

FIG. 1 is a front view of a taillight for a vehicle according to the design;

FIG. 2 is a left, front perspective view thereof;

FIG. 3 is a right, front perspective view thereof;

FIG. 4 is a left side view thereof;

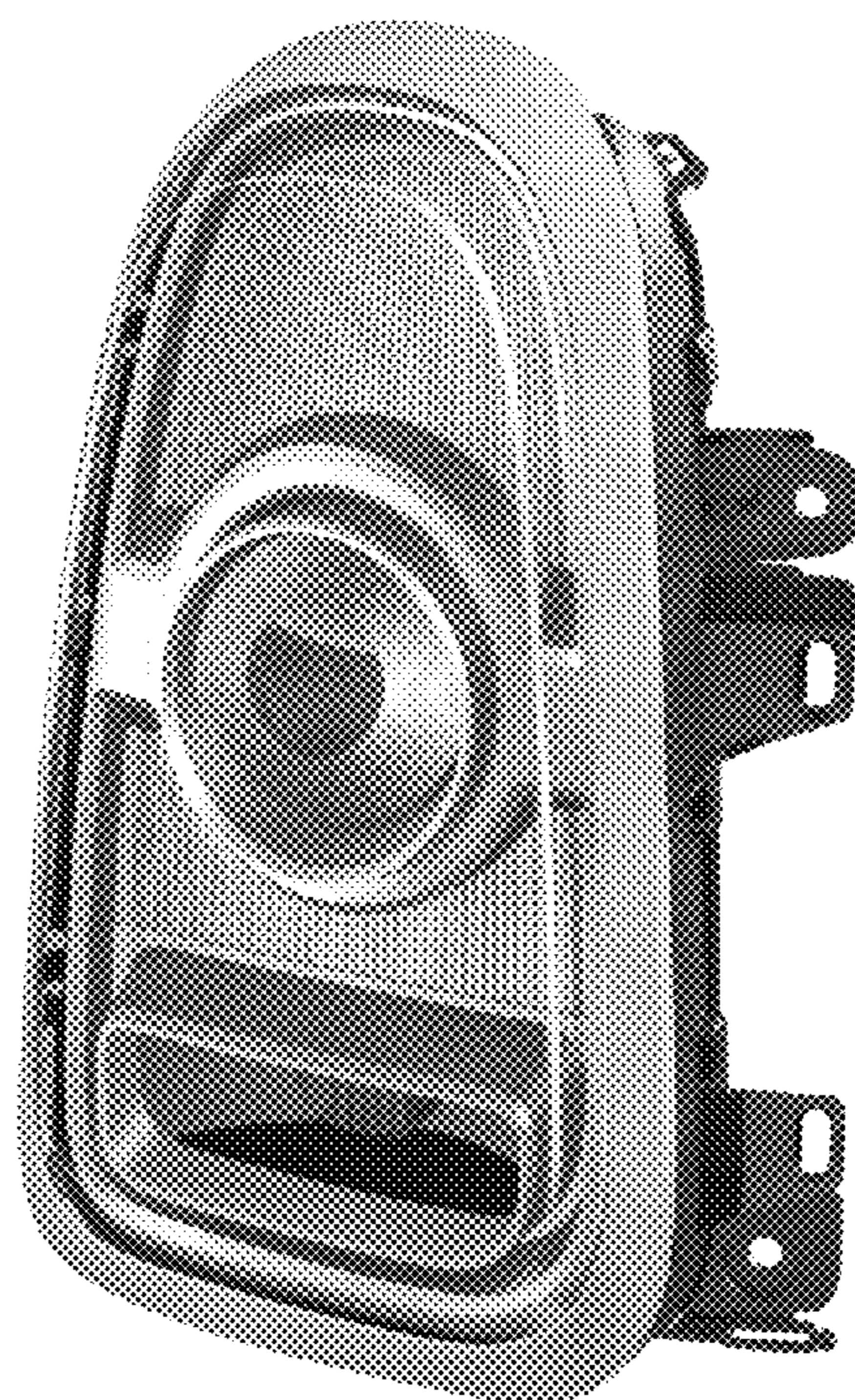
FIG. 5 is a right side view thereof;

FIG. 6 is a top view thereof;

FIG. 7 is a bottom view thereof; and,

FIG. 8 is a rear view thereof.

1 Claim, 8 Drawing Sheets



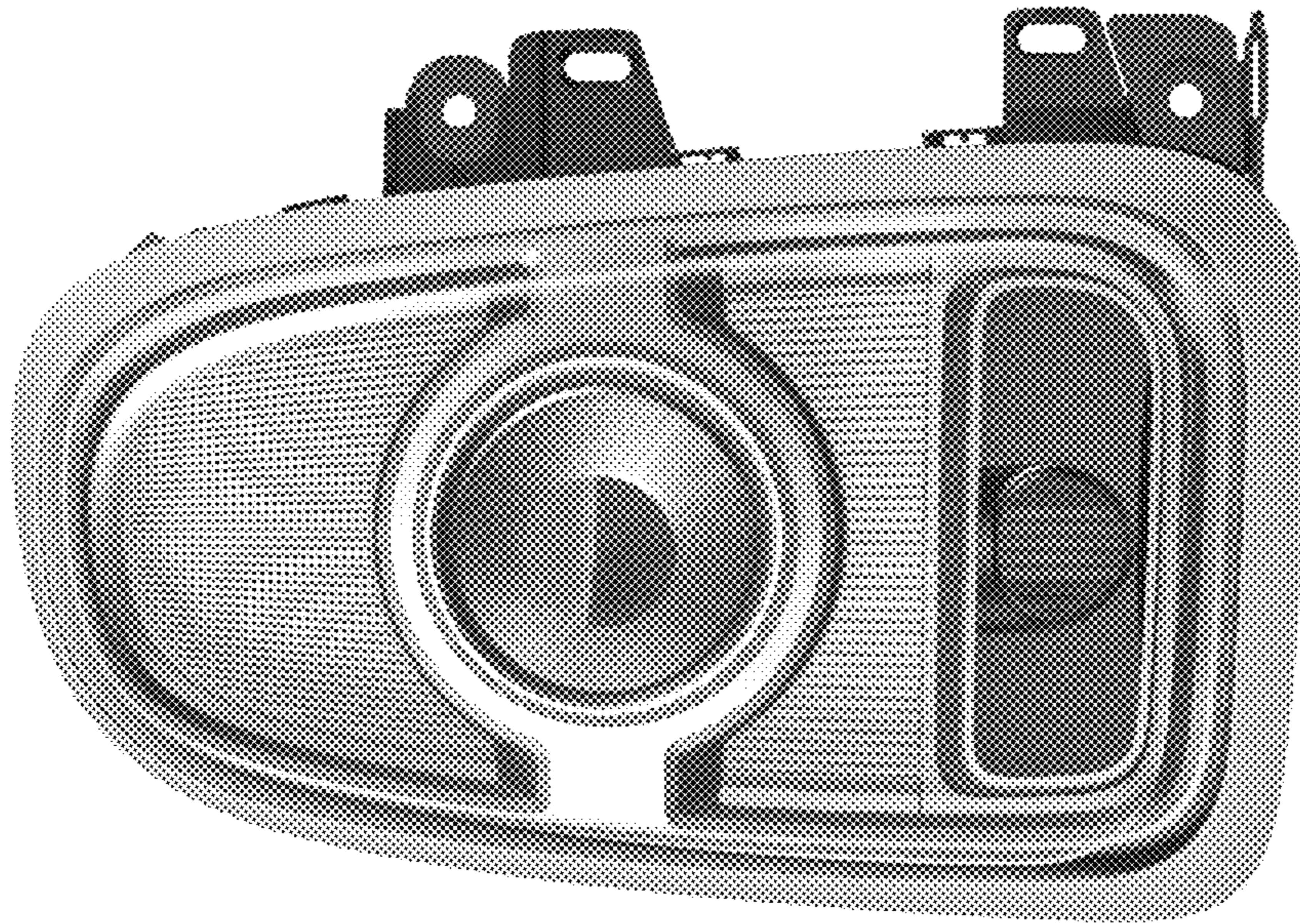


Fig. 1

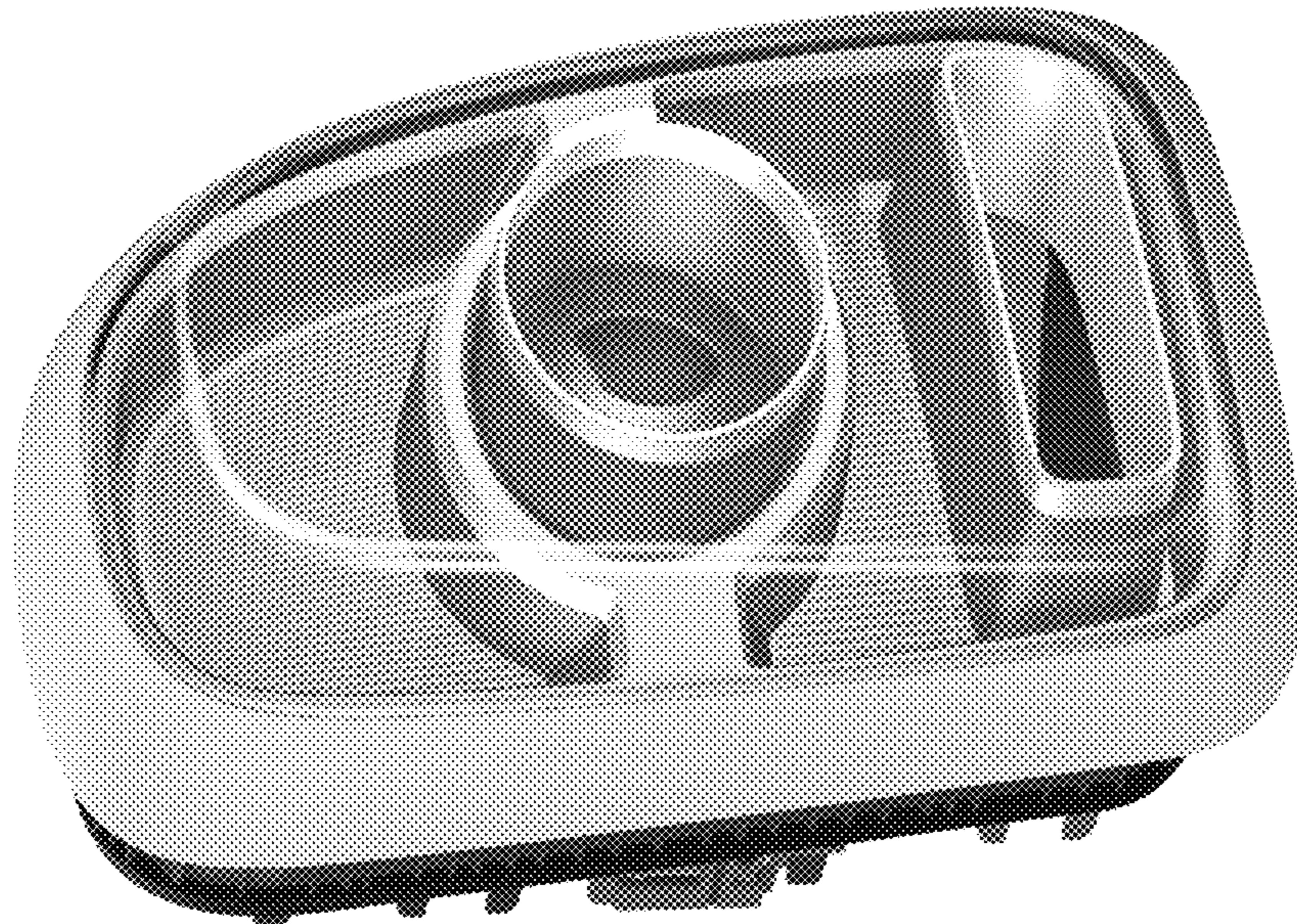


Fig. 2

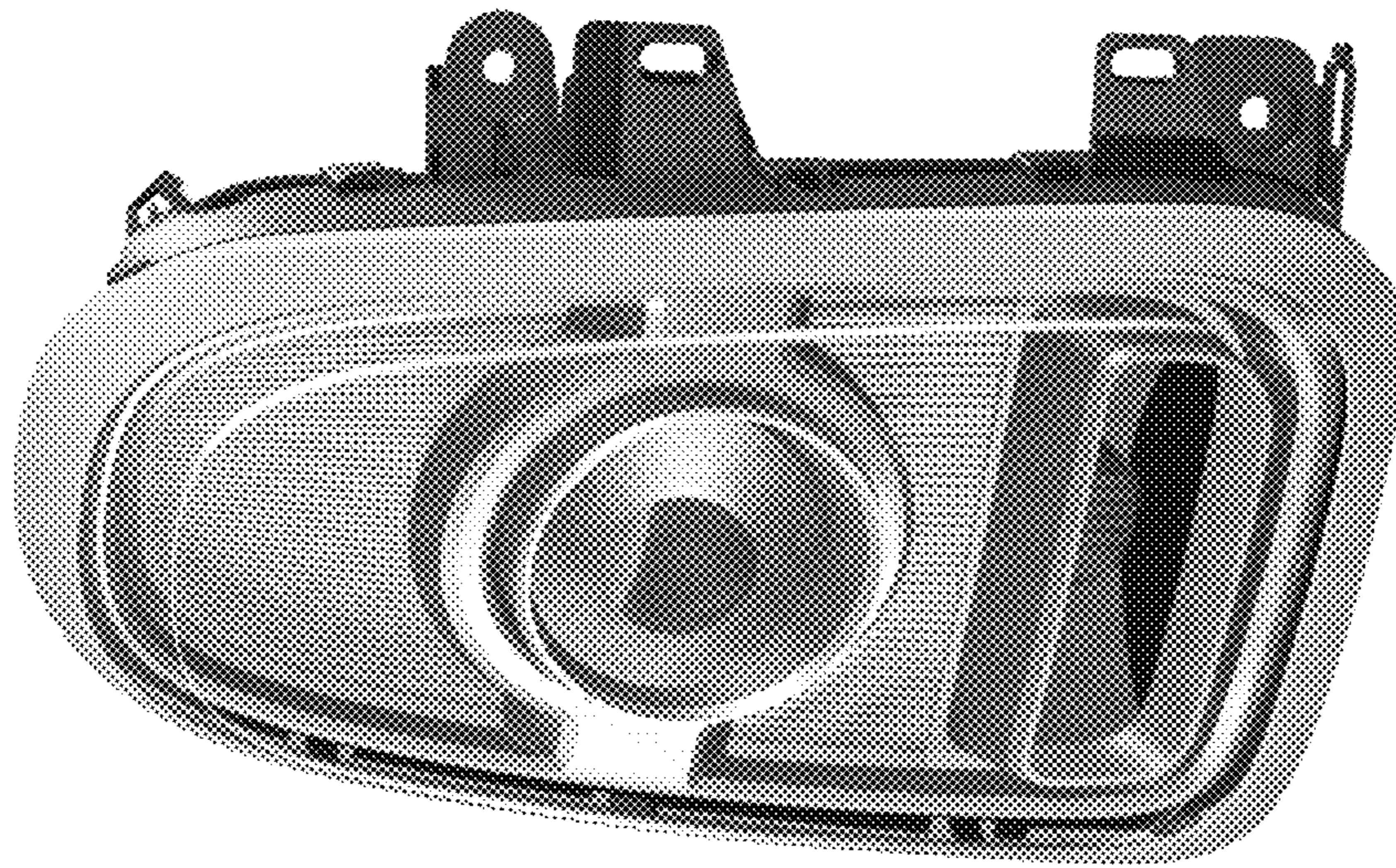


Fig. 3

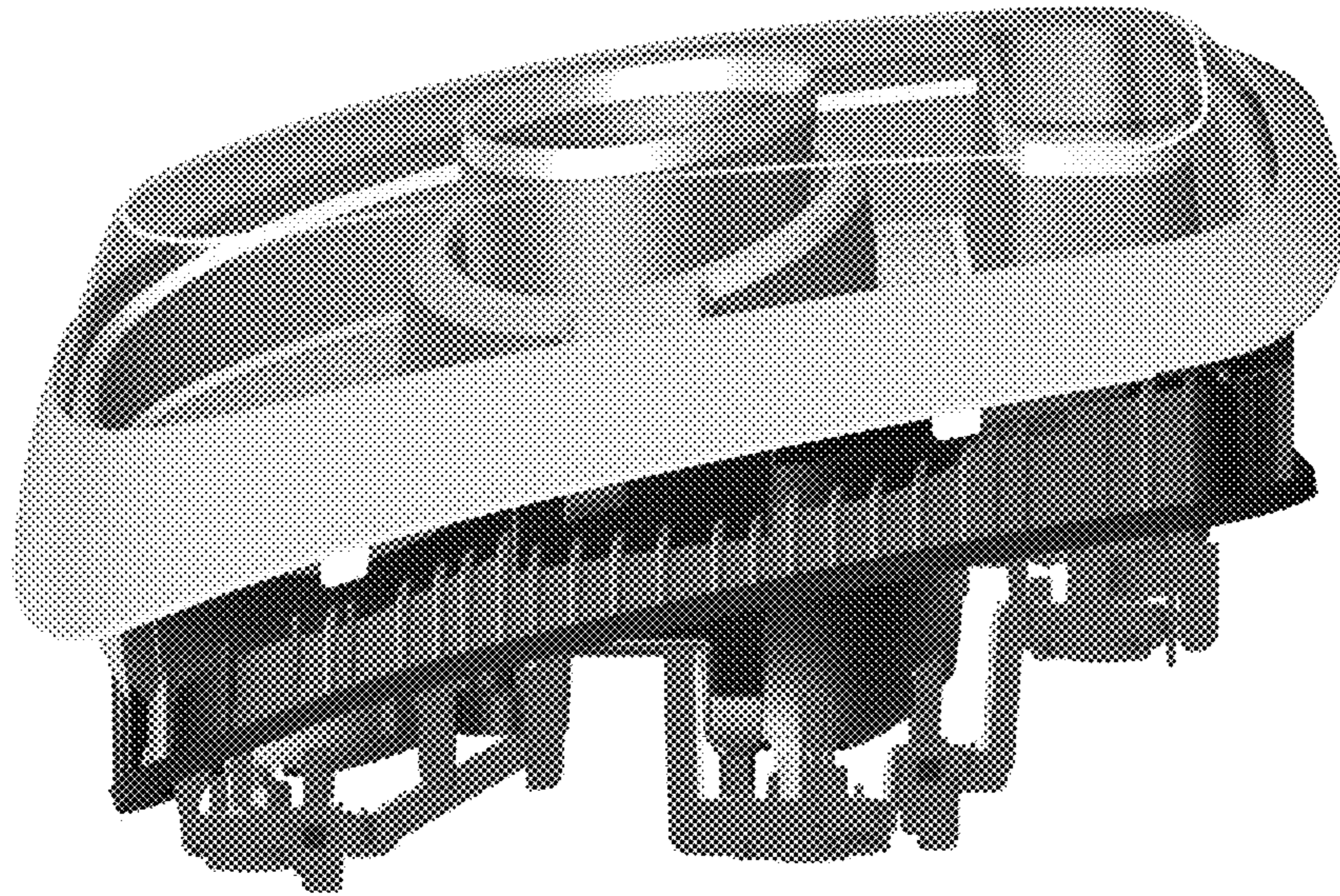


Fig. 4

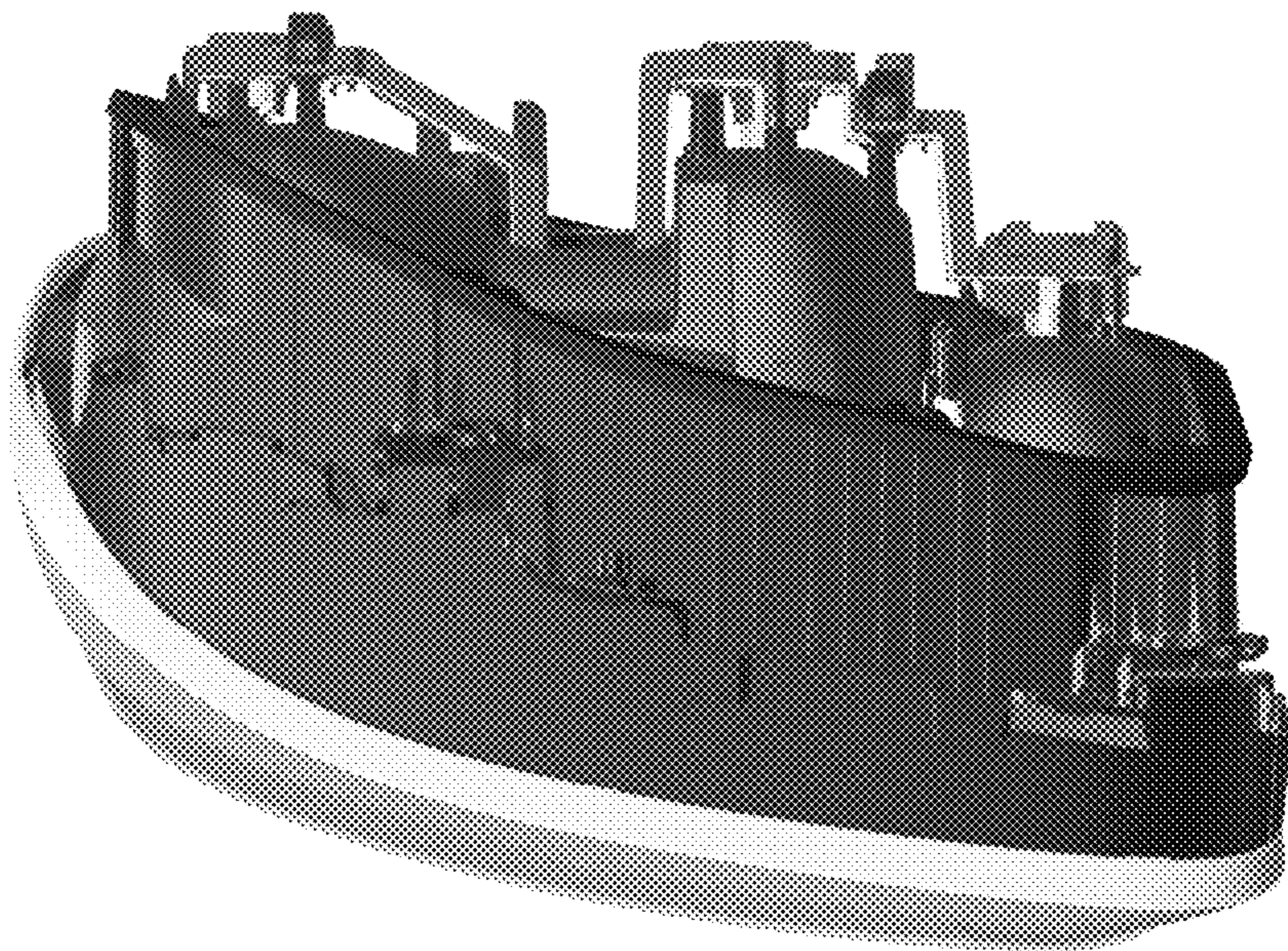


Fig. 5

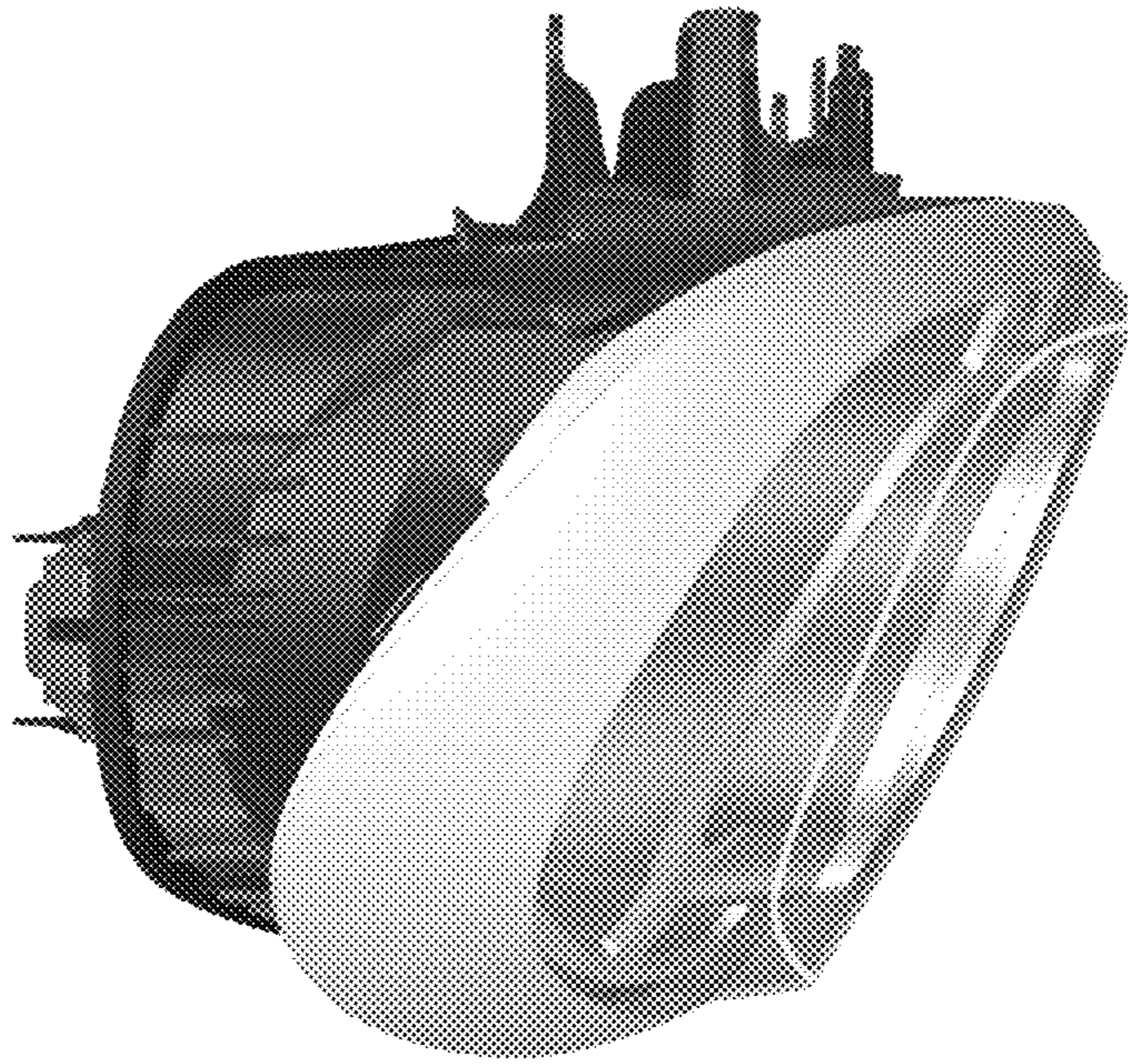


Fig. 6

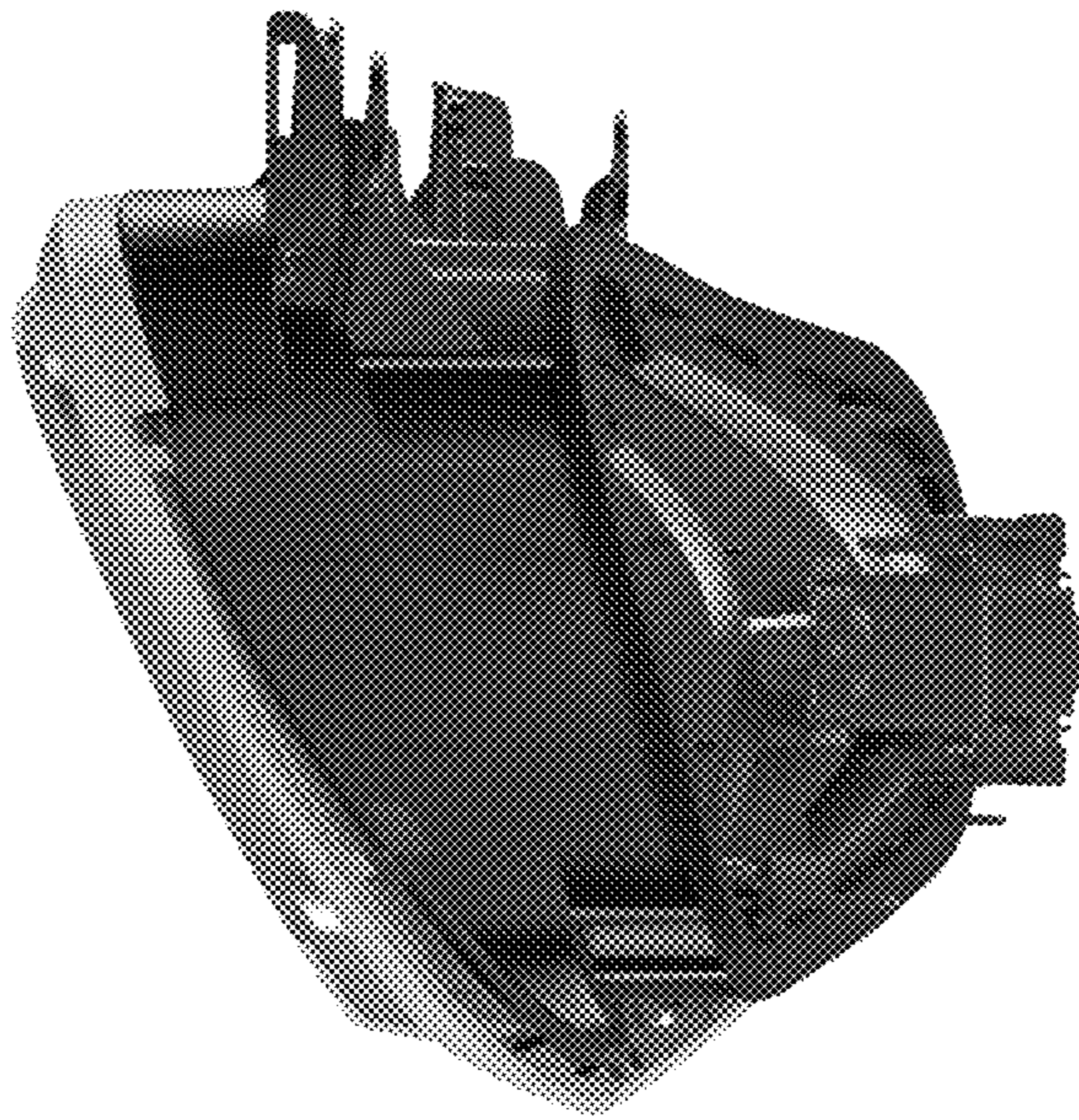


Fig. 7

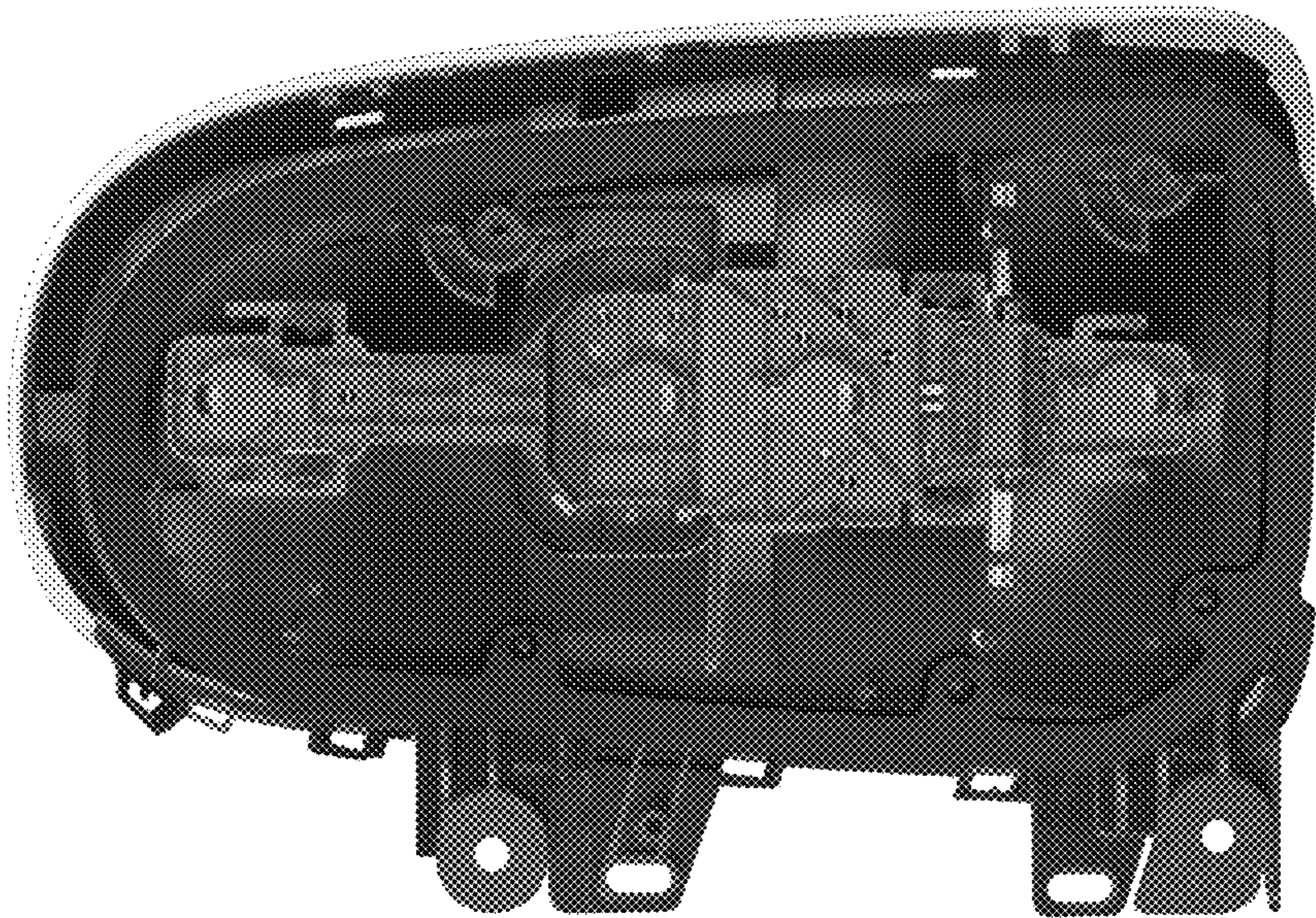


Fig. 8