



US00D805227S

(12) **United States Design Patent** (10) **Patent No.:** **US D805,227 S**  
**Morgenstern** (45) **Date of Patent:** **\*\* Dec. 12, 2017**

(54) **HEADLIGHT FOR A VEHICLE**  
(71) Applicant: **Bayerische Motoren Werke Aktiengesellschaft, Munich (DE)**  
(72) Inventor: **Sebastian Morgenstern, Munich (DE)**  
(73) Assignee: **Bayerische Motoren Werke Aktiengesellschaft, Munich (DE)**  
(\*\*) Term: **15 Years**  
(21) Appl. No.: **29/581,558**  
(22) Filed: **Oct. 20, 2016**  
(30) **Foreign Application Priority Data**

Apr. 21, 2016 (DE) ..... 40 2016 100 514  
(51) **LOC (10) Cl.** ..... **26-06**  
(52) **U.S. Cl.**  
USPC ..... **D26/28**  
(58) **Field of Classification Search**  
USPC ..... D26/28-36; 362/80-83, 267-269,  
362/459-468, 475-478, 485-487  
CPC ..... F21S 48/00; F21S 48/10; F21S 48/115;  
F21S 48/1233; F21S 48/1266; F21S  
48/1388; F21S 48/2268; F21V 21/04  
See application file for complete search history.

(56) **References Cited**  
U.S. PATENT DOCUMENTS  
D481,477 S \* 10/2003 Horowitz ..... D26/28  
D486,928 S \* 2/2004 Li ..... D26/28  
D490,550 S \* 5/2004 Chen ..... D26/28  
D493,006 S \* 7/2004 Liu ..... D26/28  
D499,202 S \* 11/2004 Tsai ..... D26/139  
D750,819 S 3/2016 Schneider  
\* cited by examiner

*Primary Examiner* — Marcus Jackson  
(74) *Attorney, Agent, or Firm* — Crowell & Moring LLP

(57) **CLAIM**  
The ornamental design for a headlight for a vehicle, as shown and described.

**DESCRIPTION**

FIG. 1 is a front view of a headlight for a vehicle according to the design;  
FIG. 2 is a right, front perspective view thereof;  
FIG. 3 is a left, front perspective view thereof;  
FIG. 4 is a right side view thereof;  
FIG. 5 is a left side view thereof;  
FIG. 6 is a top view thereof;  
FIG. 7 is a bottom view thereof; and,  
FIG. 8 is a rear view thereof.

**1 Claim, 8 Drawing Sheets**





Fig. 1



Fig. 2



Fig. 3



Fig. 4



Fig. 5

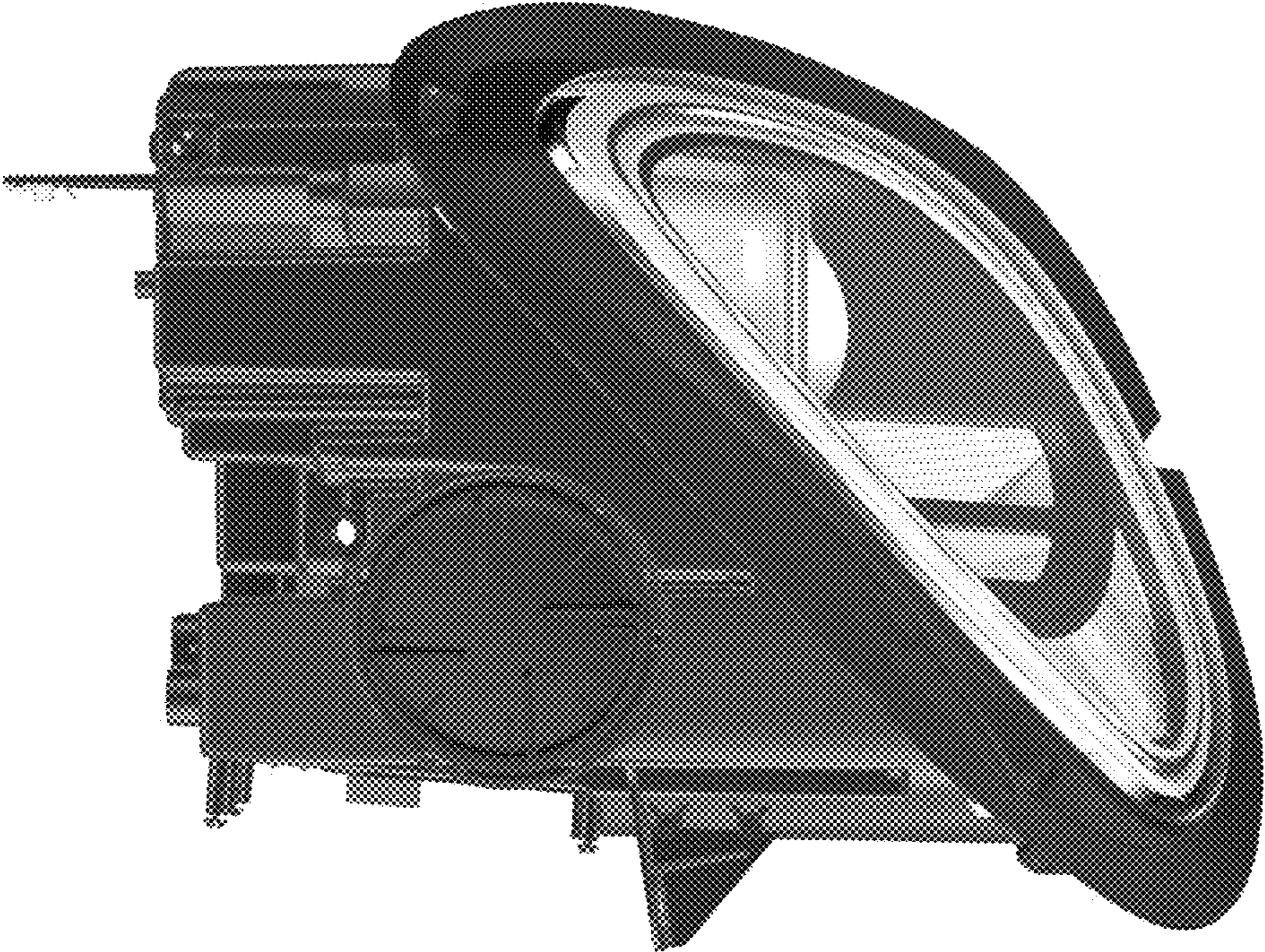


Fig. 6

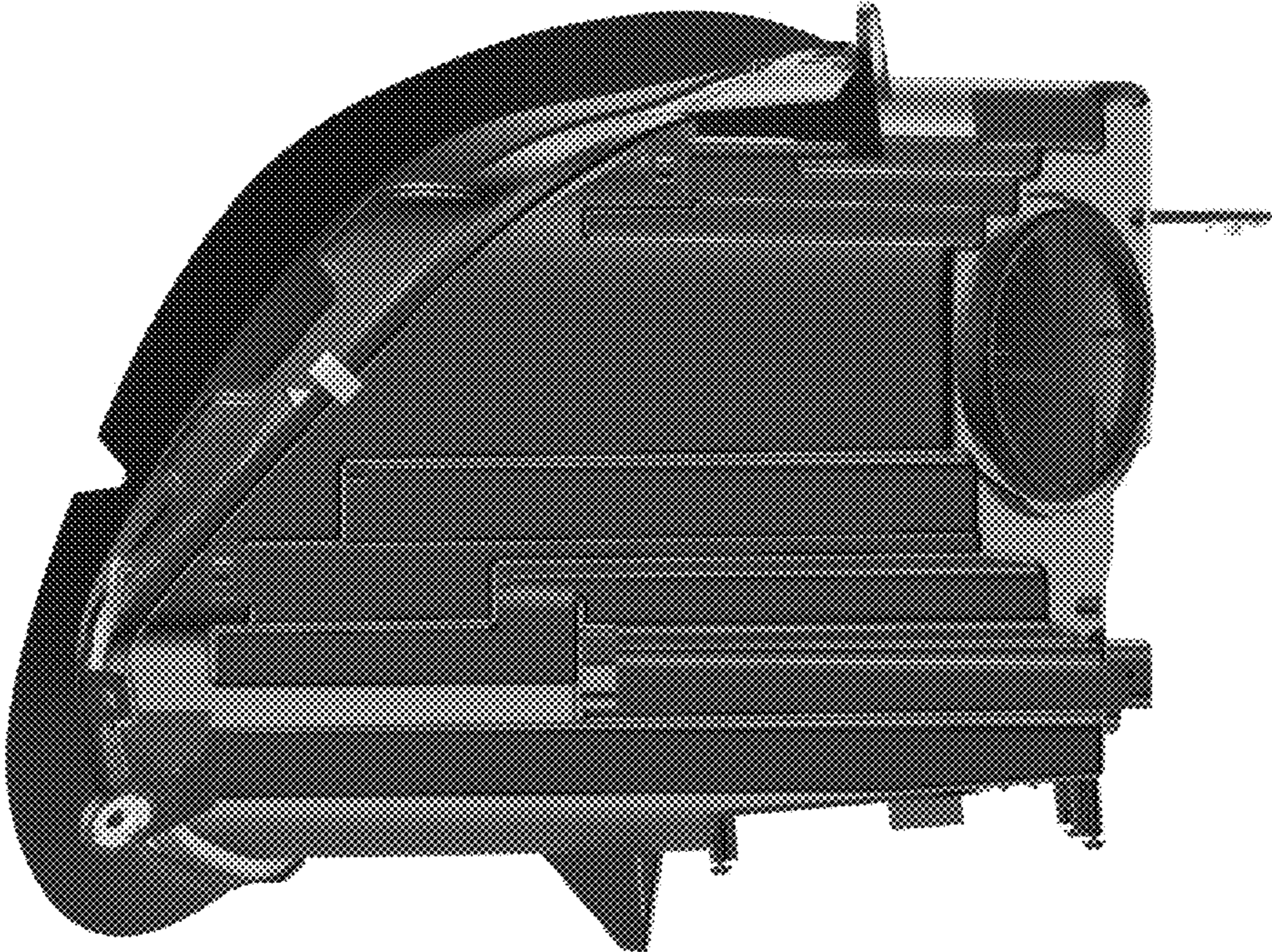


Fig. 7



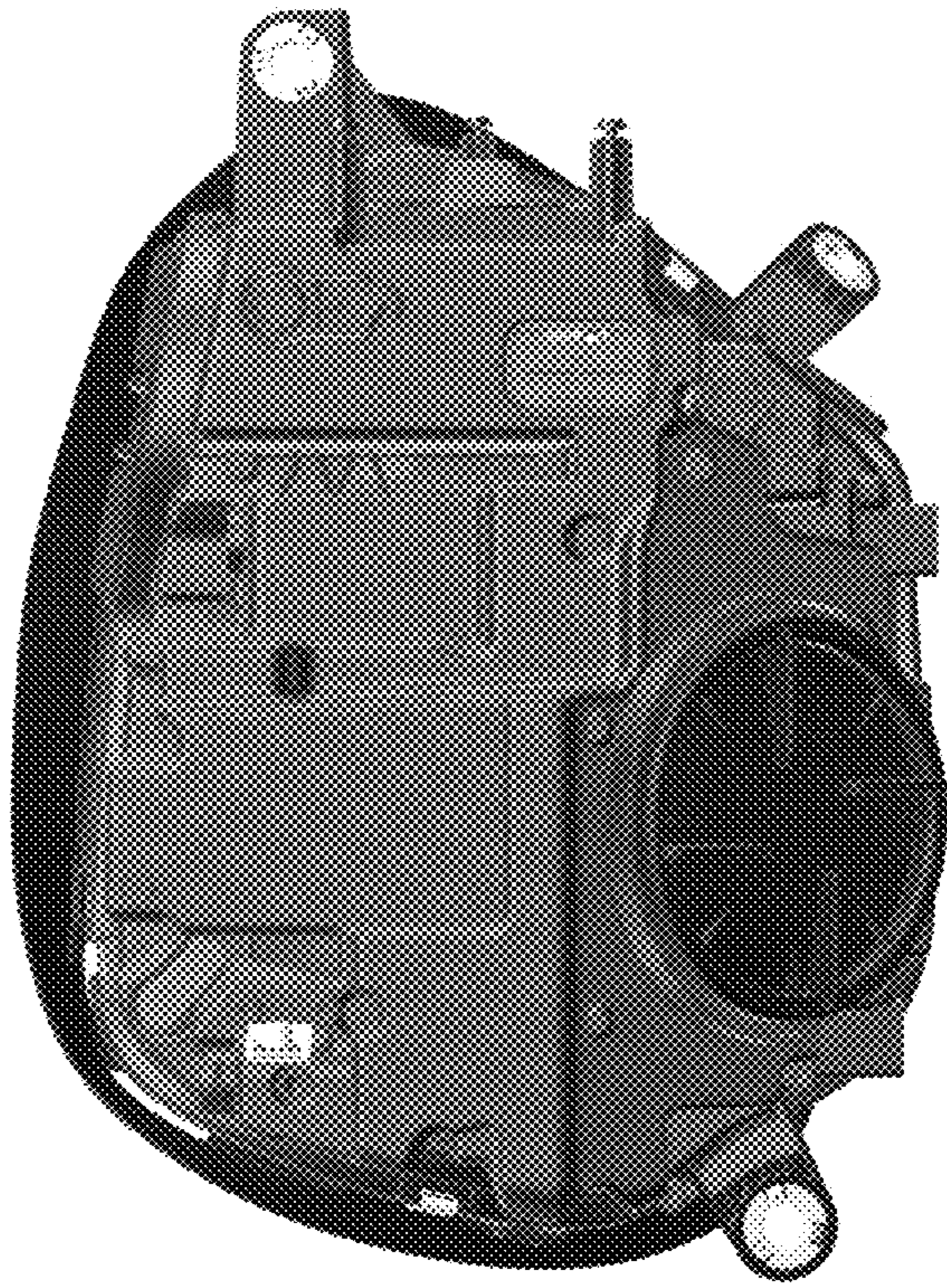


Fig. 8