



US00D805225S

(12) **United States Design Patent** (10) **Patent No.:** **US D805,225 S**
Dennis et al. (45) **Date of Patent:** **** Dec. 12, 2017**

(54) **VEHICLE DRIVING LIGHT**

(71) Applicant: **Lightforce Australia Pty Ltd.,**
Hindmarsh (AU)

(72) Inventors: **Raymond L. Dennis, Hindmarsh (AU);**
Robert T. Dall, Athelstone (AU)

(73) Assignee: **Lightforce Australia Pty Ltd.,**
Hindmarsh (AU)

(**) Term: **15 Years**

(21) Appl. No.: **29/580,141**

(22) Filed: **Oct. 6, 2016**

7,651,245 B2 1/2010 Thomas et al.
D626,670 S 11/2010 Metzger et al.
7,988,346 B2 8/2011 Helms et al.
D657,081 S 4/2012 Alisauskas et al.
8,277,092 B2 10/2012 Dunn
D670,839 S 11/2012 Smarslik
D675,758 S 2/2013 Adams
D676,162 S 2/2013 Adams
D676,990 S 2/2013 Adams
D680,893 S 4/2013 Adams
D688,399 S 8/2013 Adams
D694,920 S 12/2013 Jurgens et al.
D704,363 S 5/2014 Adams
D704,364 S 5/2014 Adams
D704,365 S 5/2014 Adams
D708,778 S 7/2014 Sibitzky et al.
D712,077 S 8/2014 Leban et al.
D718,478 S 11/2014 Adams

(Continued)

Related U.S. Application Data

(62) Division of application No. 29/539,797, filed on Sep. 17, 2015, now Pat. No. Des. 780,350.

(51) **LOC (10) Cl.** **26-06**

(52) **U.S. Cl.**
USPC **D26/28**

(58) **Field of Classification Search**
USPC D26/28–36; 362/80–83, 267–269,
362/459–468, 475–478, 485–487
CPC F21S 48/00; F21S 48/10; F21S 48/115;
F21S 48/1233; F21S 48/1266; F21S
48/1388; F21S 48/2268; F21V 21/04
See application file for complete search history.

(56) **References Cited**

U.S. PATENT DOCUMENTS

D547,889 S * 7/2007 Huang D26/28
D570,012 S * 5/2008 Huang D26/28
D578,677 S * 10/2008 Huang D26/28
D578,678 S * 10/2008 Huang D26/28
D585,575 S 1/2009 Crispin et al.
D601,727 S 10/2009 Huang
D605,789 S 12/2009 Ko

Primary Examiner — Marcus Jackson

(74) *Attorney, Agent, or Firm* — Wood Herron & Evans
LLP

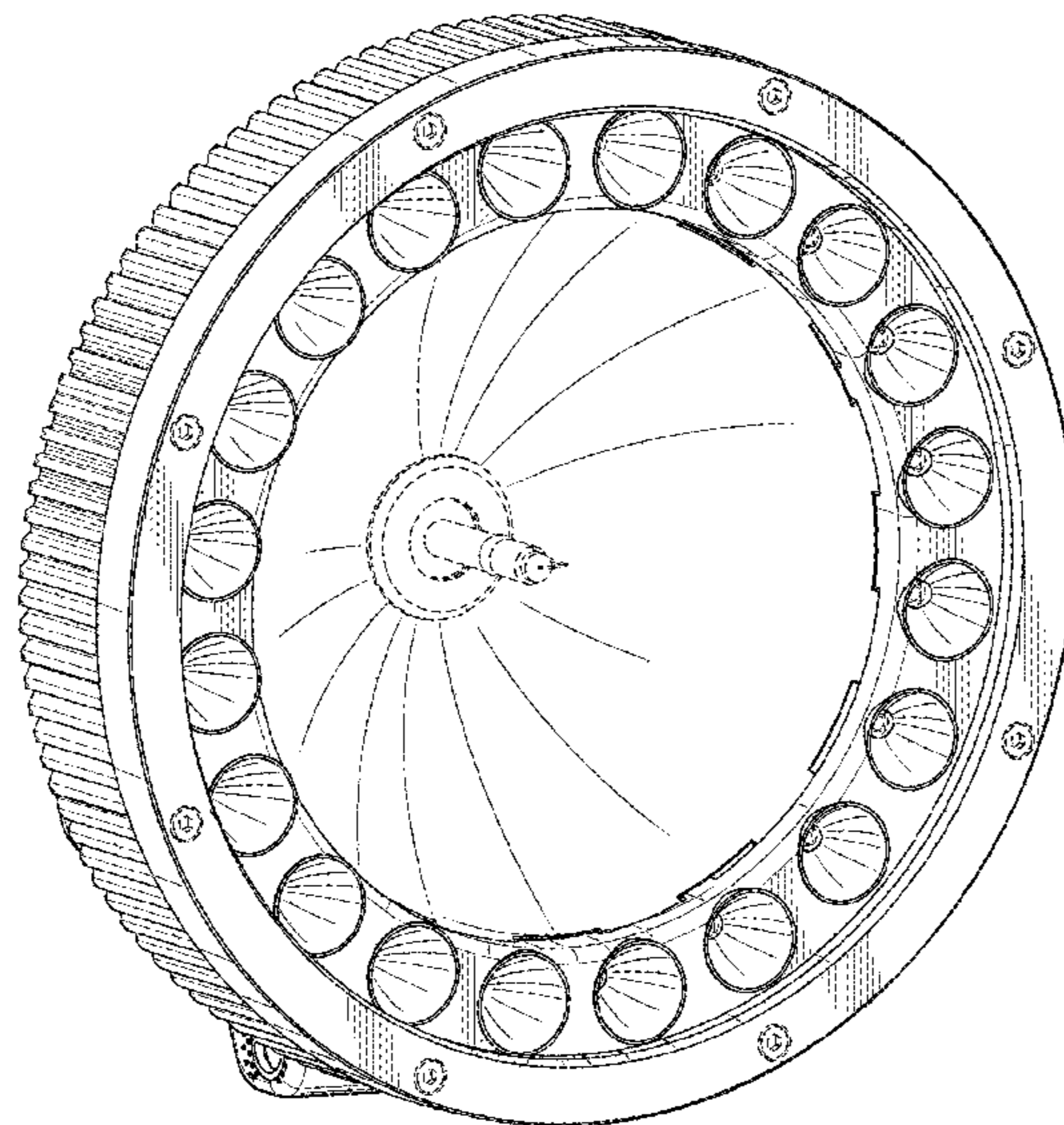
(57) **CLAIM**

The ornamental design for a vehicle driving light, as shown and described.

DESCRIPTION

FIG. 1 is a front isometric view of a first embodiment of the vehicle driving light;
FIG. 2 is a rear isometric view thereof;
FIG. 3 is a front elevational view thereof;
FIG. 4 is a left side elevational view thereof;
FIG. 5 is a right side elevational view thereof;
FIG. 6 is a rear elevational view thereof;
FIG. 7 is a top plan view thereof; and,
FIG. 8 is a bottom plan view thereof.
The portions of the vehicle driving light depicted in broken dash lines represent the bounds of the claim and form no part of the claimed design.

1 Claim, 7 Drawing Sheets



(56)

References Cited

U.S. PATENT DOCUMENTS

D722,713 S	2/2015	Burns
D739,072 S	9/2015	Adams et al.
2009/0296412 A1	12/2009	Ogawa et al.
2012/0057351 A1	3/2012	Wilcox et al.
2013/0265755 A1	10/2013	Adams

* cited by examiner

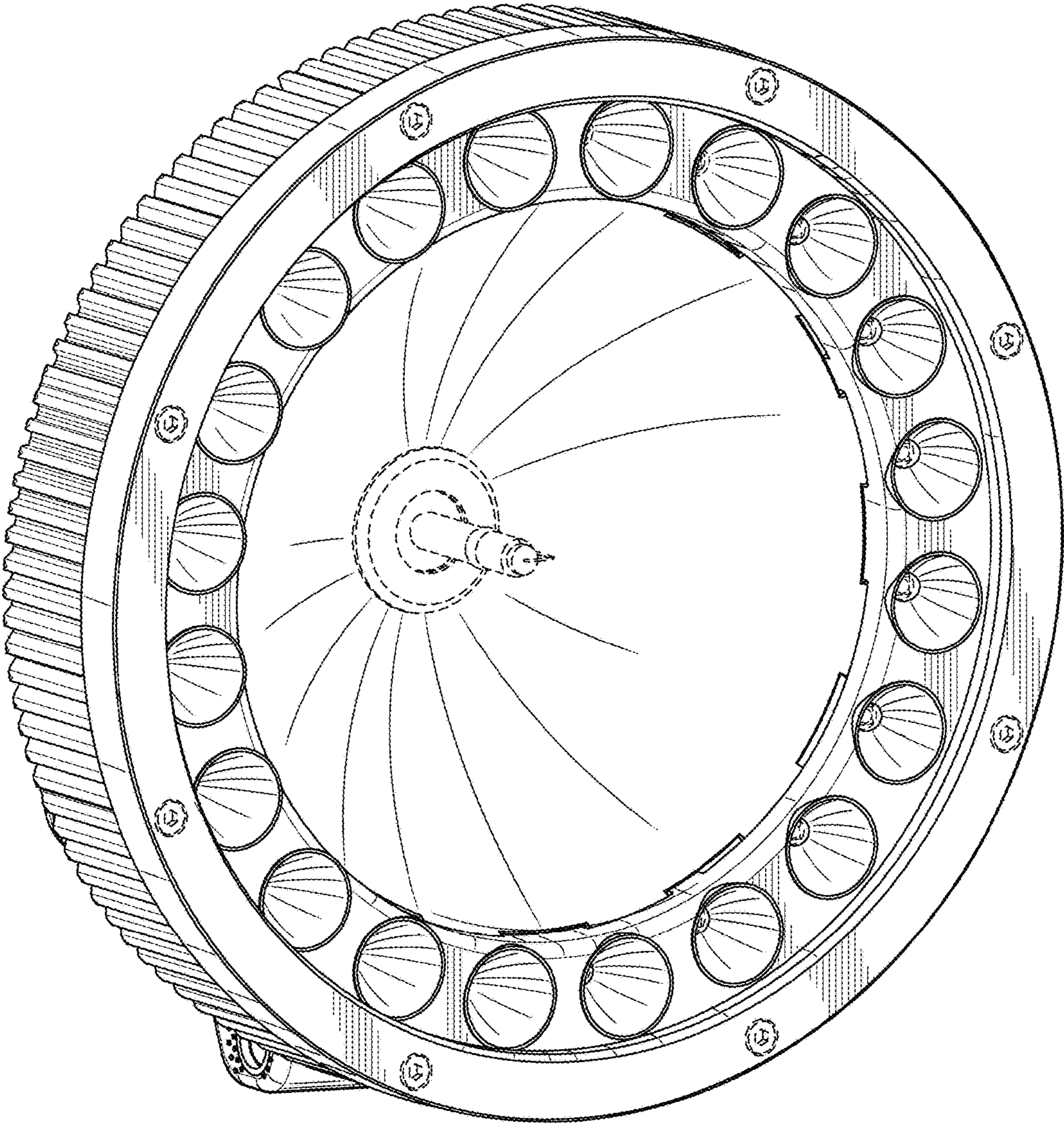


FIG. 1

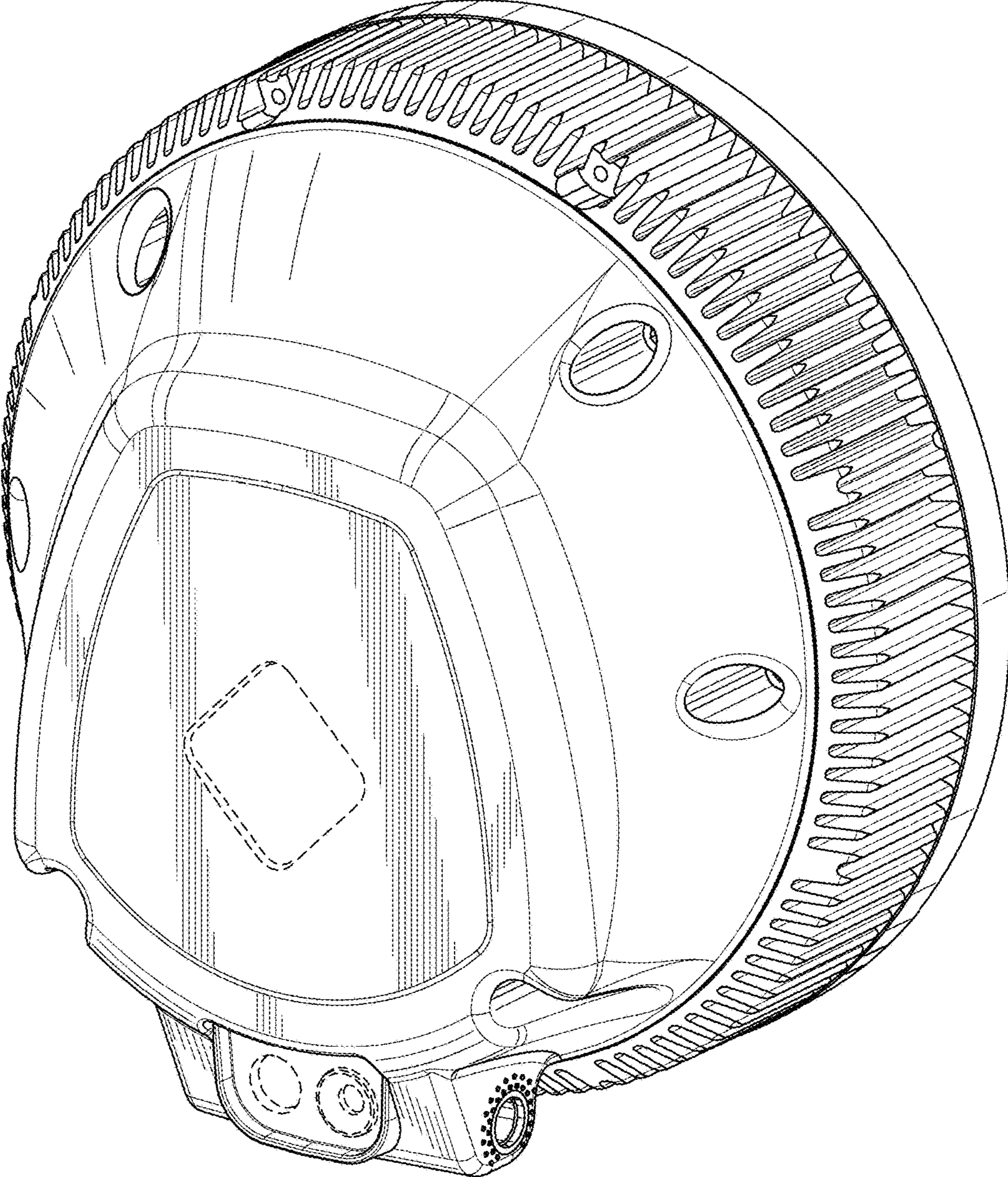


FIG. 2

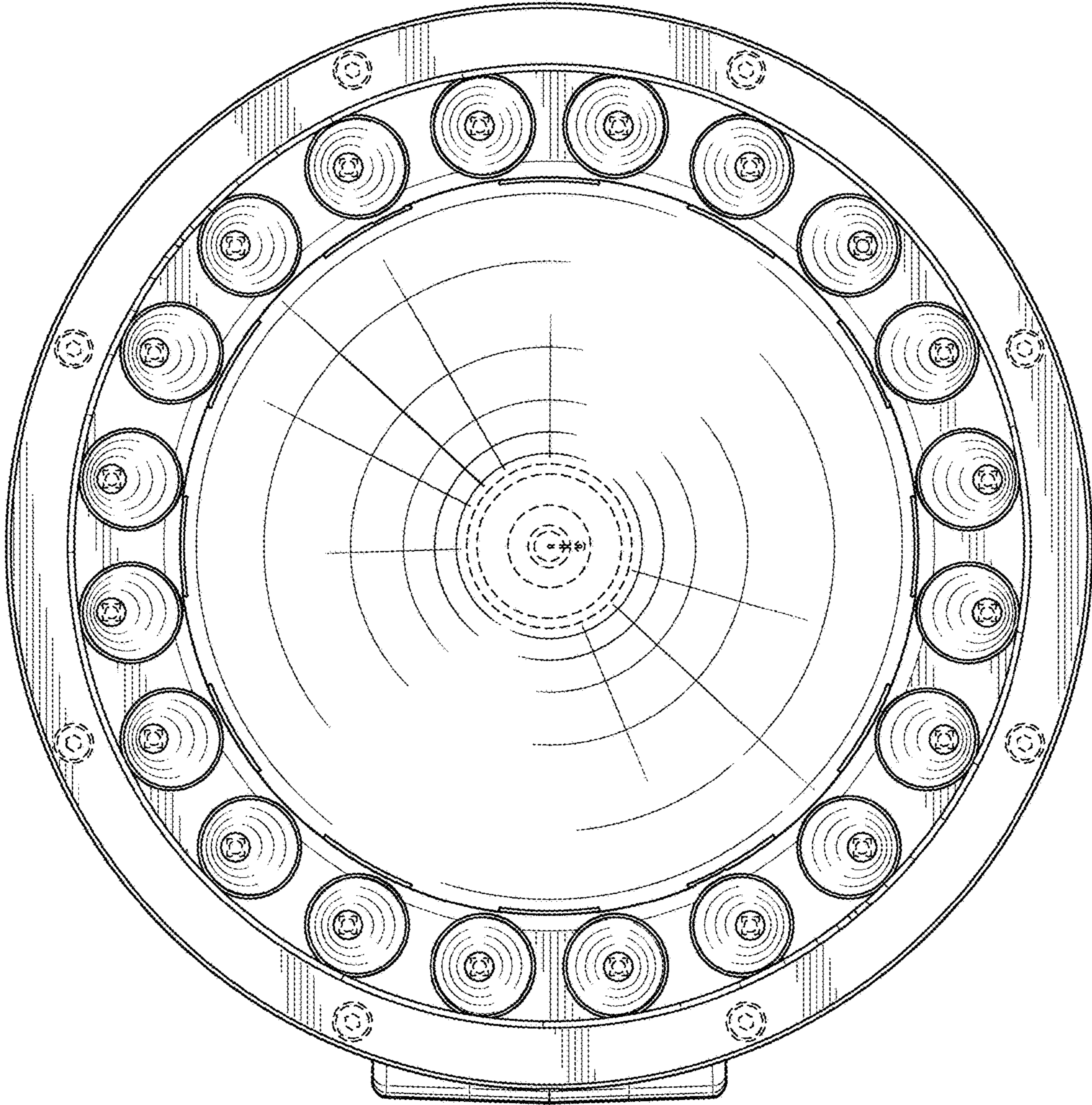


FIG. 3

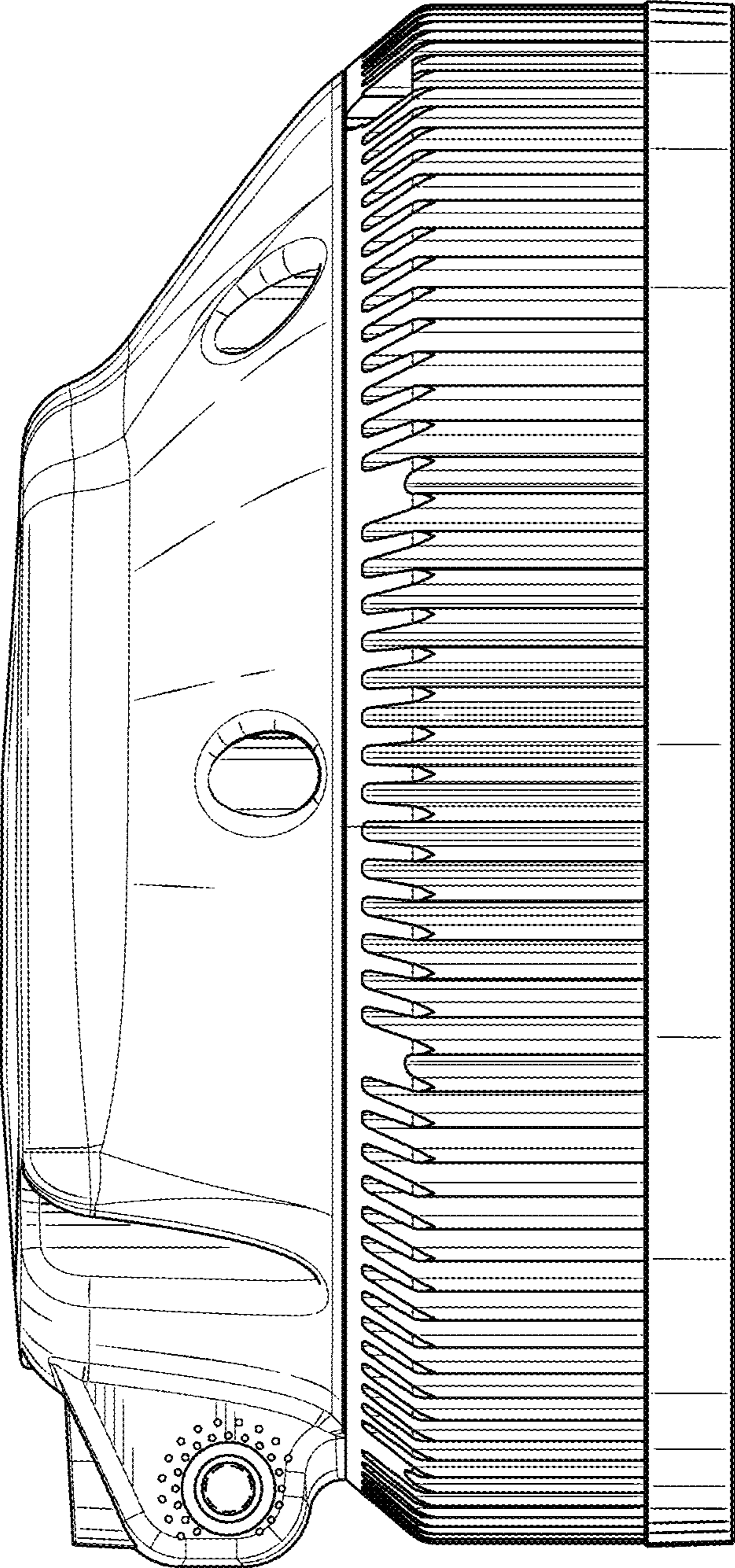


FIG. 4

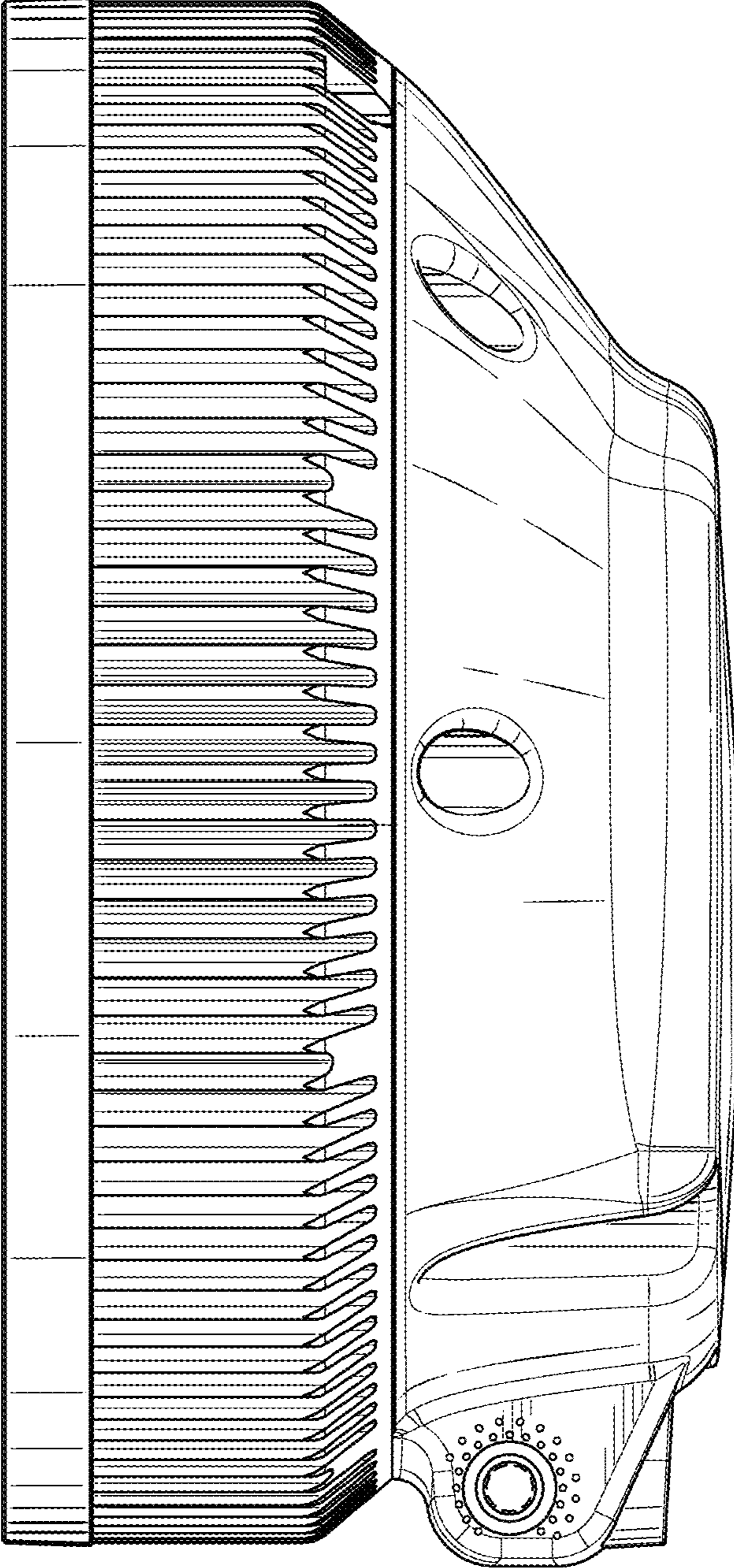


FIG. 5

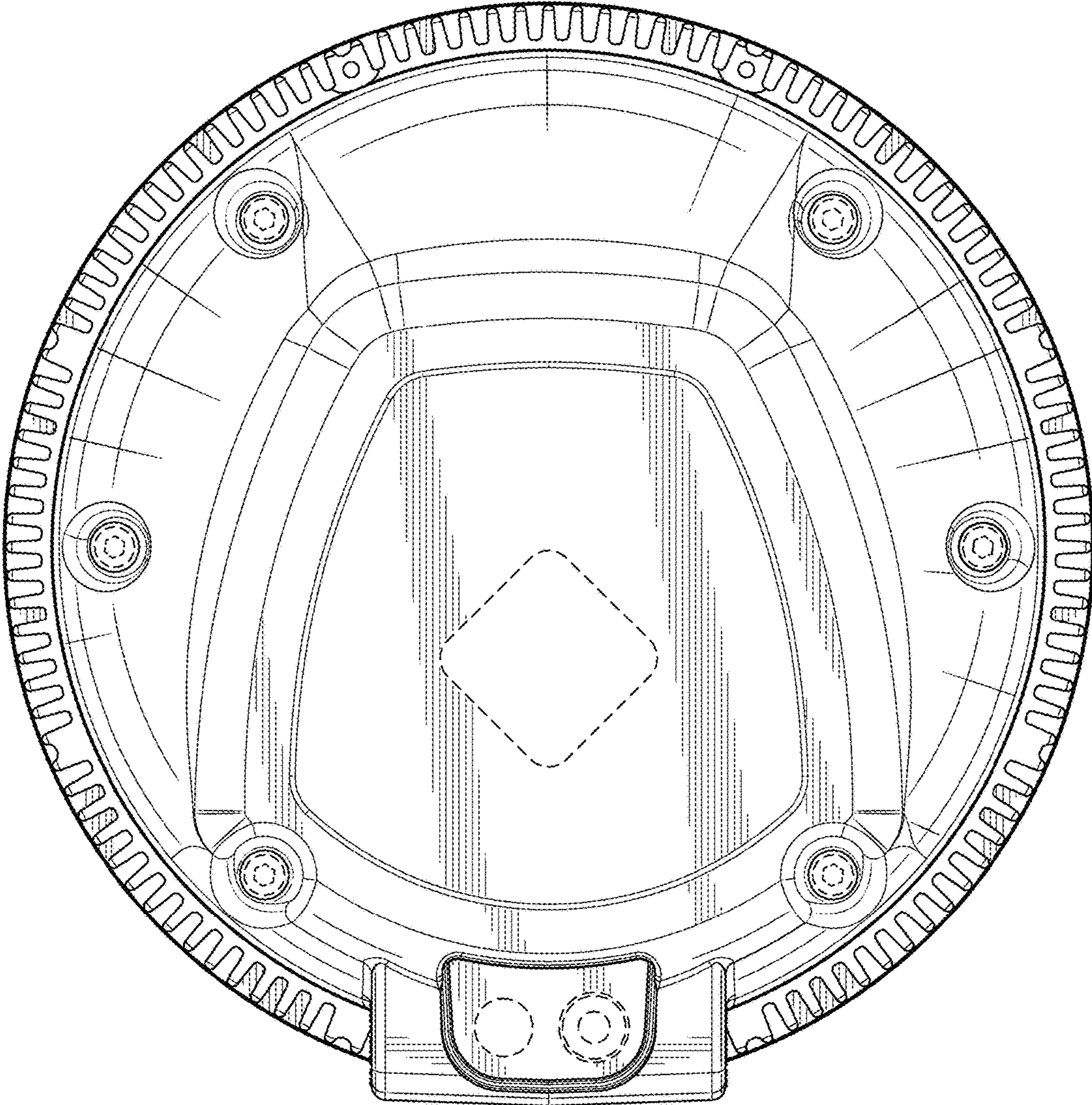


FIG. 6

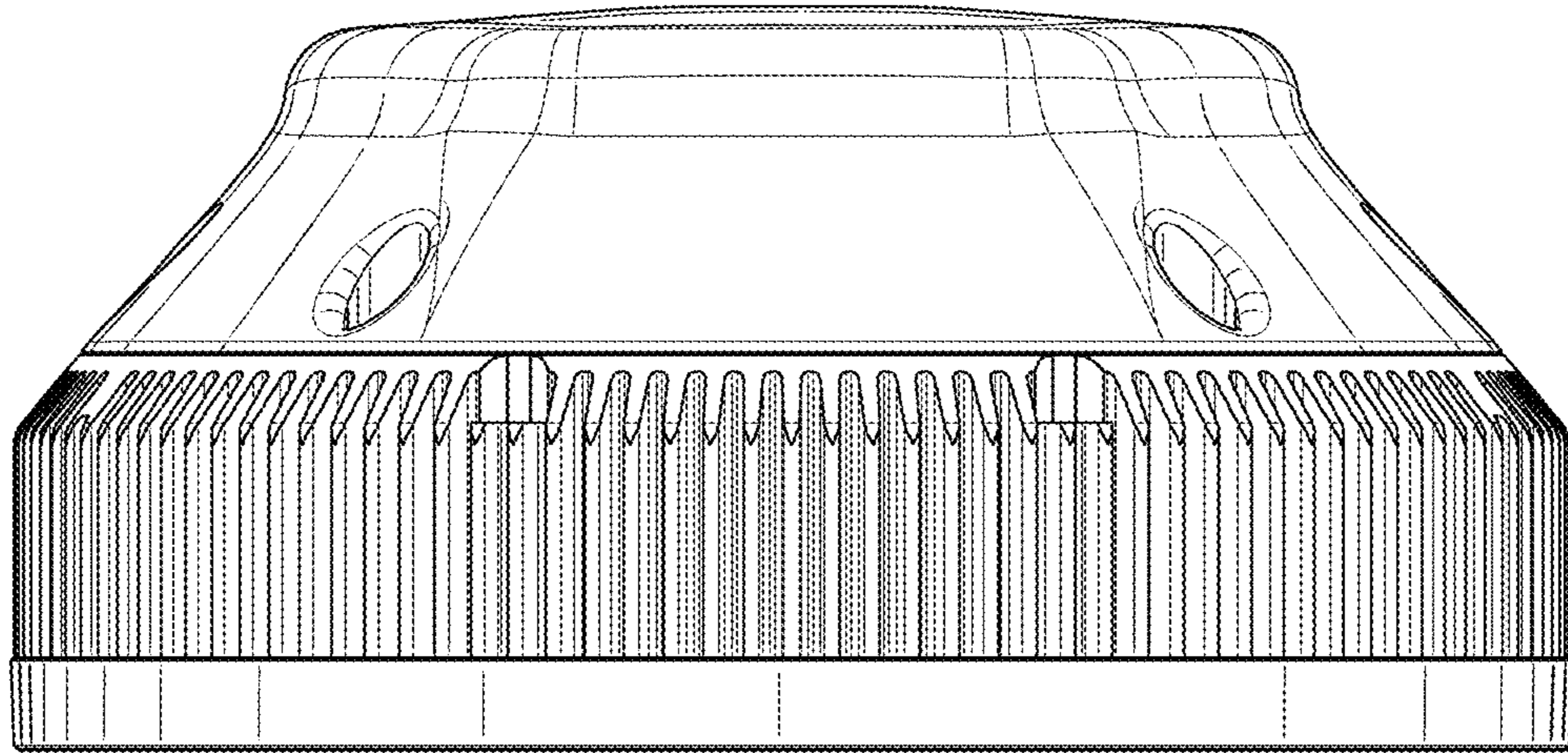


FIG. 7

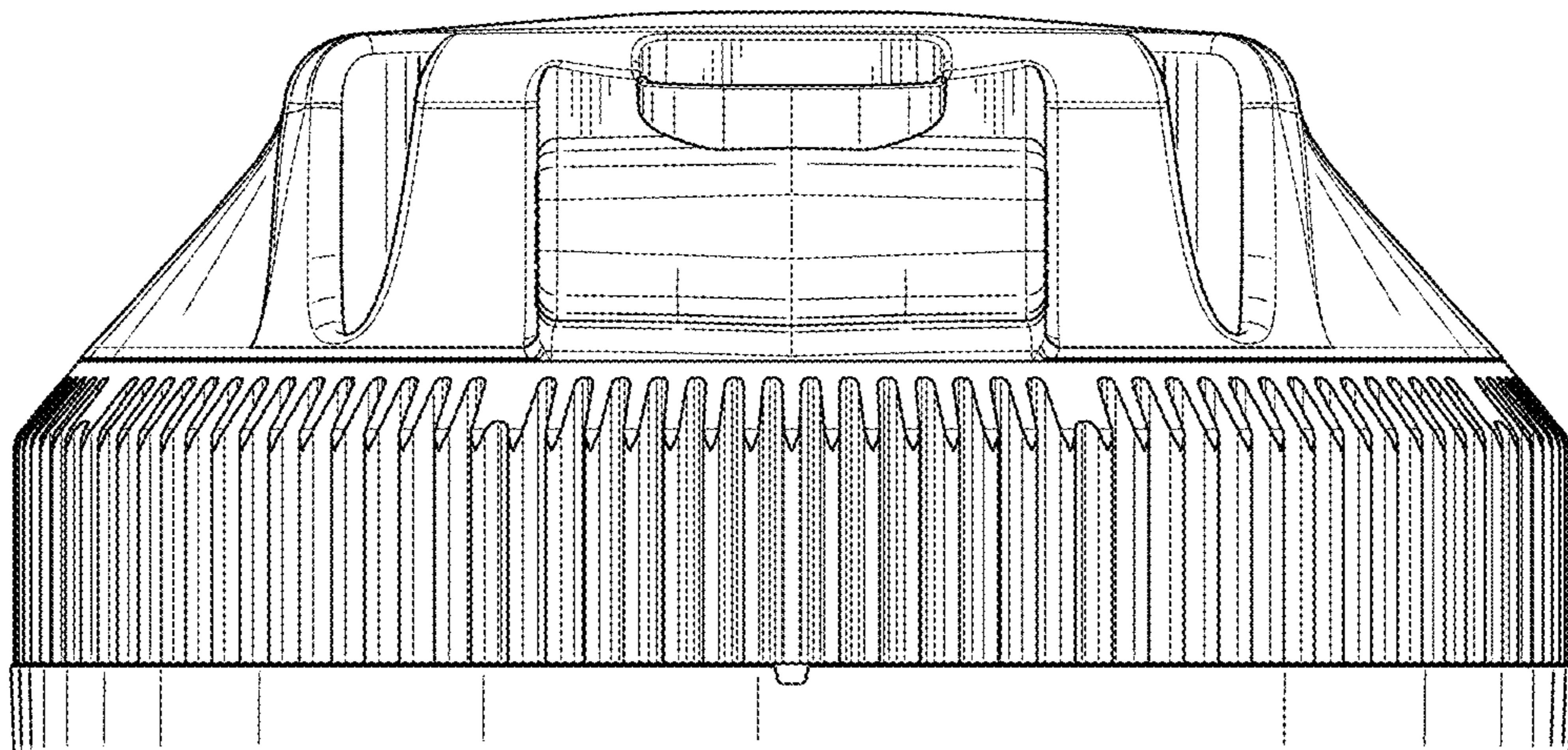


FIG. 8