



US00D805223S

(12) **United States Design Patent** (10) **Patent No.:** **US D805,223 S**
DeBellis (45) **Date of Patent:** **** Dec. 12, 2017**

(54) **ROOF COUPLING PLATE** 6,584,702 B2 * 7/2003 Irey D06F 58/20
 34/140
 (71) Applicant: **Thomas M. DeBellis**, Canyon Lake, CA (US) 6,792,726 B1 * 9/2004 Price E04G 15/061
 285/42
 (72) Inventor: **Thomas M. DeBellis**, Canyon Lake, CA (US) D539,442 S * 3/2007 Tung D25/138
 D628,047 S 11/2010 Craig
 7,882,670 B2 * 2/2011 West E04D 13/1476
 454/13
 D677,203 S 3/2013 Russell et al.
 (**) Term: **15 Years** (Continued)

(21) Appl. No.: **29/586,588**

(22) Filed: **Dec. 5, 2016**

(51) **LOC (10) Cl.** **25-99**

(52) **U.S. Cl.**
USPC **D25/199**

(58) **Field of Classification Search**
 USPC D25/199; D23/259, 260; 403/409.1
 CPC E04D 1/36; E04D 13/00; E04D 13/14;
 E04D 13/143; E04D 13/1471; E04D
 13/1476; E04D 13/0409; E04D 13/1407;
 E04D 13/1415; E04D 13/1475; E04D
 2013/0436; E04D 13/147; E04D 13/17
 See application file for complete search history.

(56) **References Cited**

U.S. PATENT DOCUMENTS

1,494,234 A * 5/1924 Gossett E04D 13/1407
 126/315
 3,685,426 A * 8/1972 Rosa E04D 13/17
 454/368
 4,445,808 A * 5/1984 Arya E21D 21/0086
 405/302.1
 D301,687 S 6/1989 Cassidy et al.
 D366,944 S * 2/1996 Maxwell D25/138
 5,603,187 A * 2/1997 Merrin E04D 13/12
 248/237
 5,662,522 A * 9/1997 Waltz E04D 13/17
 454/359
 D446,319 S 8/2001 Rubenacker
 6,386,424 B1 * 5/2002 Goettl B23K 20/10
 228/1.1

OTHER PUBLICATIONS

Orbit Roof Coupling Plates (on-line), dated Jun. 13, 2017. Retrieved from Internet Oct. 12, 2017, URL: <https://web.archive.org/web/20170613040245/http://www.orbitelectric.com/roof-coupling-plates.html> (1 page).*

Primary Examiner — Vy Koenig
Assistant Examiner — Kimberly Barnes
 (74) *Attorney, Agent, or Firm* — Kirk A. Buhler; Buhler & Associates

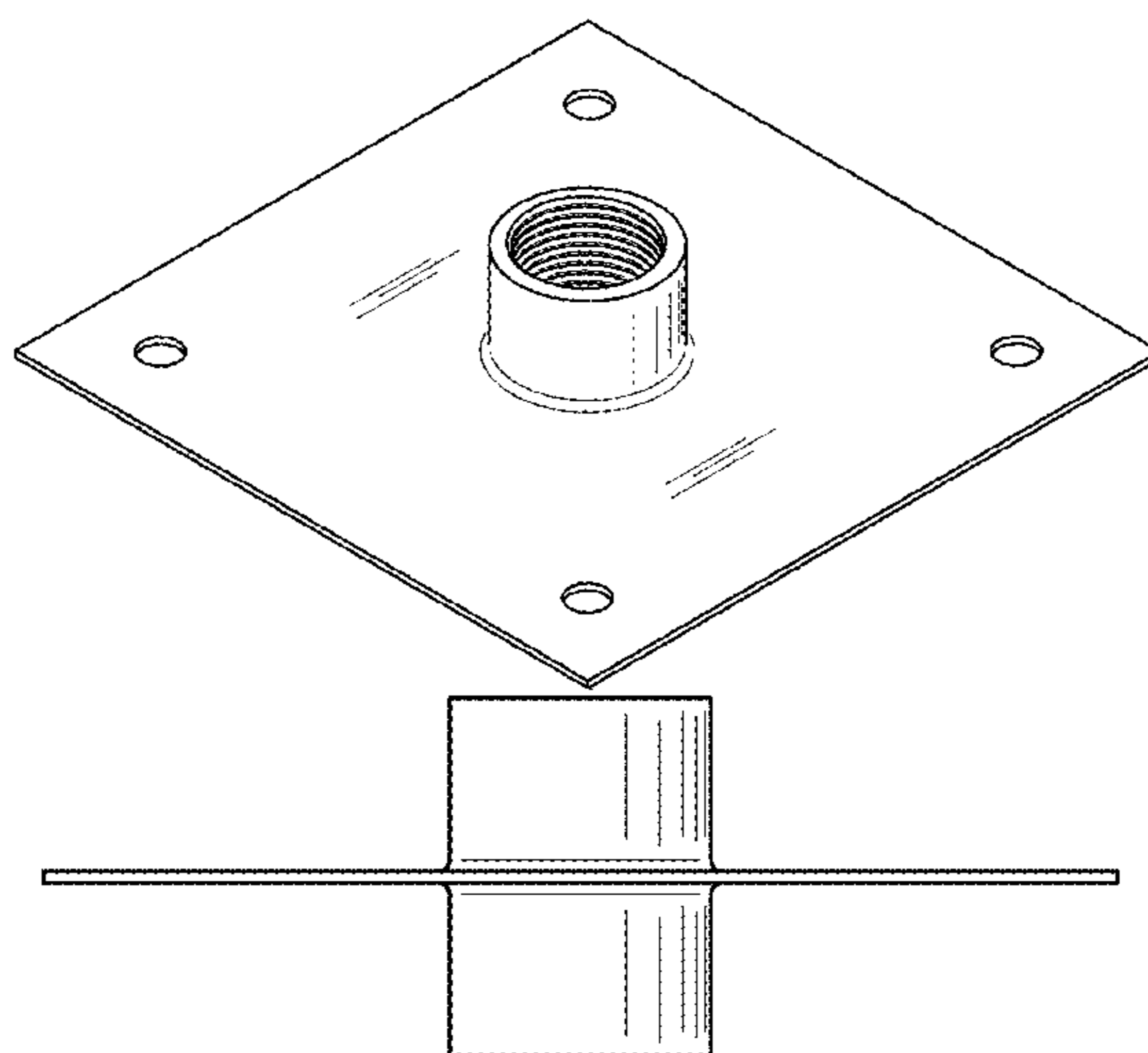
(57) **CLAIM**

The ornamental design for a roof coupling plate, as shown and described.

DESCRIPTION

FIG. 1 is a top perspective view of a roof coupling plate showing my new design;
 FIG. 2 is a front view, the rear view being a mirror image thereof,
 FIG. 3 is a top view thereof;
 FIG. 4 is a right side view, the left side view being a mirror image thereof;
 FIG. 5 is a bottom view thereof; and,
 FIG. 6 is a top perspective view thereof, showing the roof coupling plate in an environment of use.
 The broken lines in FIG. 6 depicting bolts and a pipe represent environmental subject matter only and form no part of the claimed design.

1 Claim, 4 Drawing Sheets



(56)

References Cited

U.S. PATENT DOCUMENTS

8,397,438 B2 *	3/2013	Hoy	E04D 13/1476 285/43
8,479,455 B2 *	7/2013	Schaefer	H02G 3/088 174/564
8,683,760 B2 *	4/2014	Segers	E04D 13/1407 248/669
D731,030 S	6/2015	Tyler		
D738,706 S *	9/2015	Knapp	D8/356
9,523,380 B2 *	12/2016	Brown	E04D 13/00
2010/0109318 A1 *	5/2010	Mulligan	E04D 13/0409 285/42
2014/0364050 A1 *	12/2014	McIver	F24F 7/02 454/275

* cited by examiner

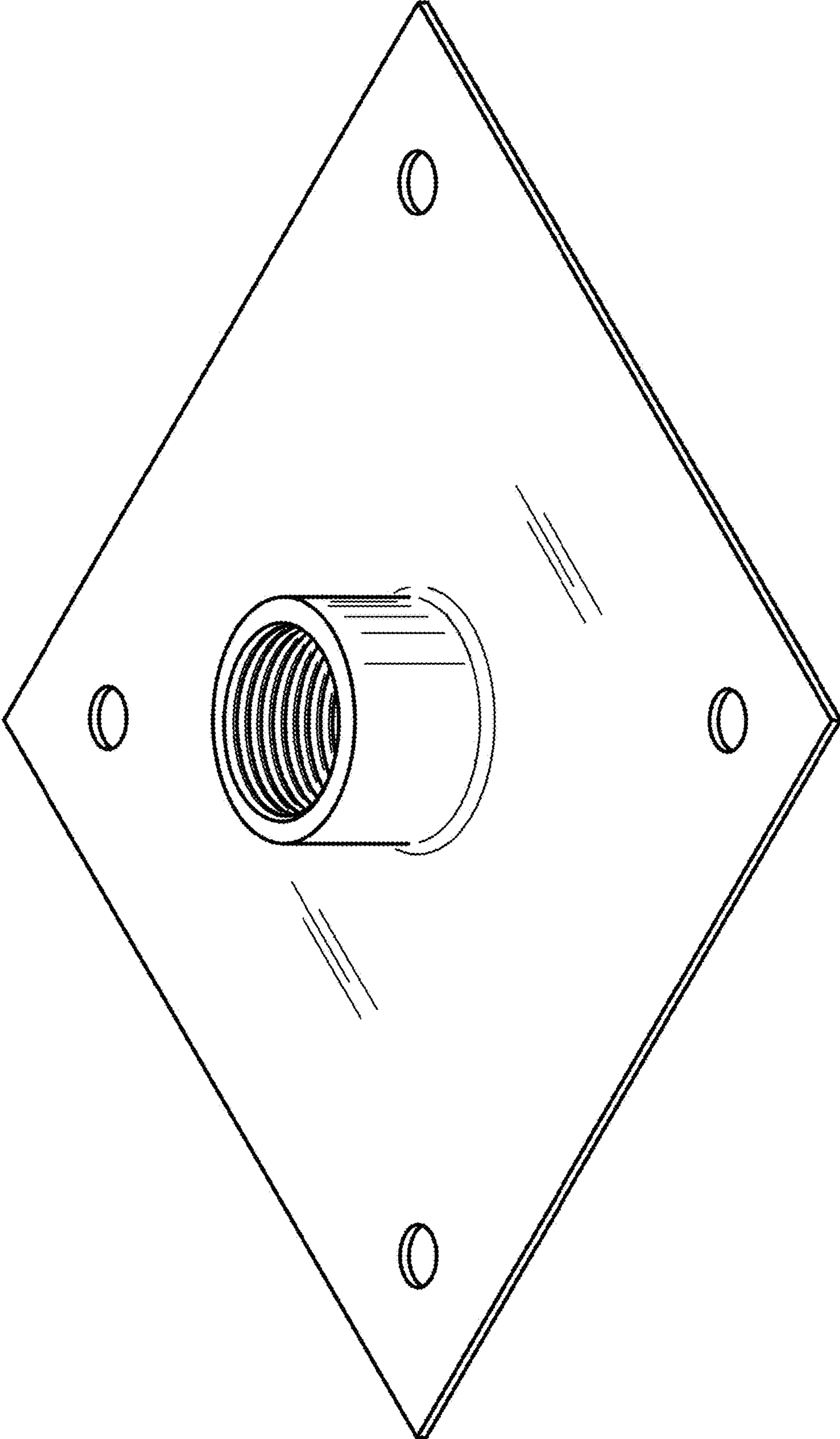


FIG 1

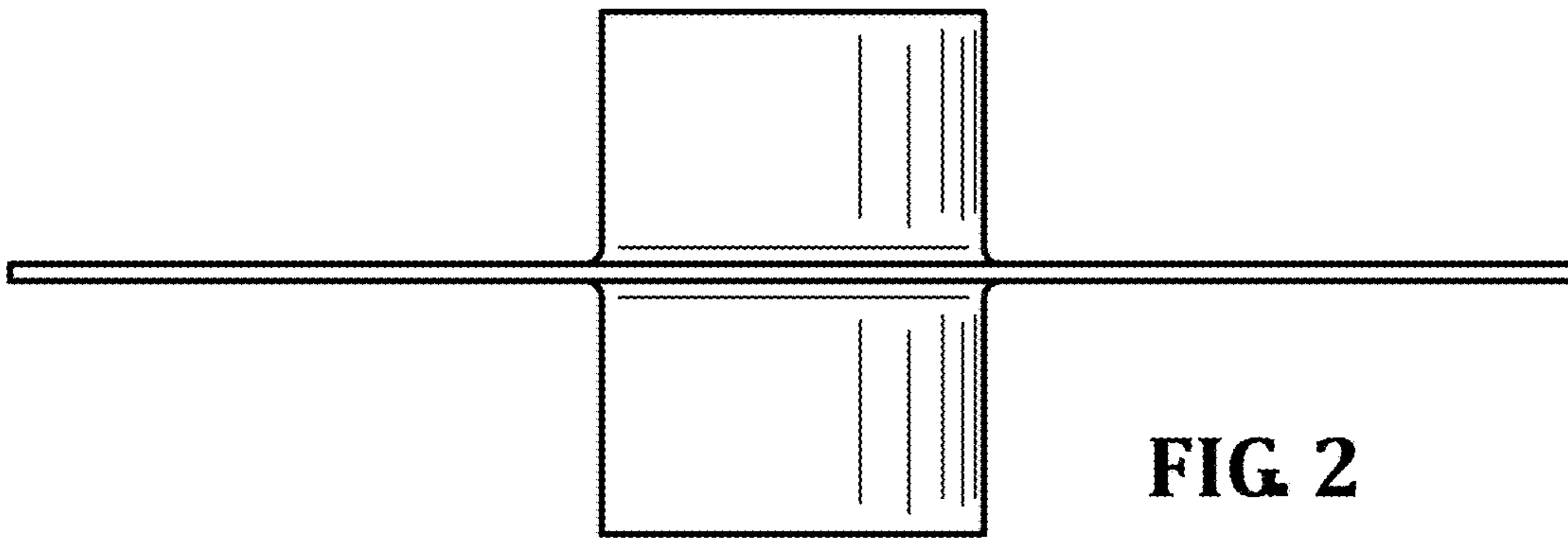


FIG 2

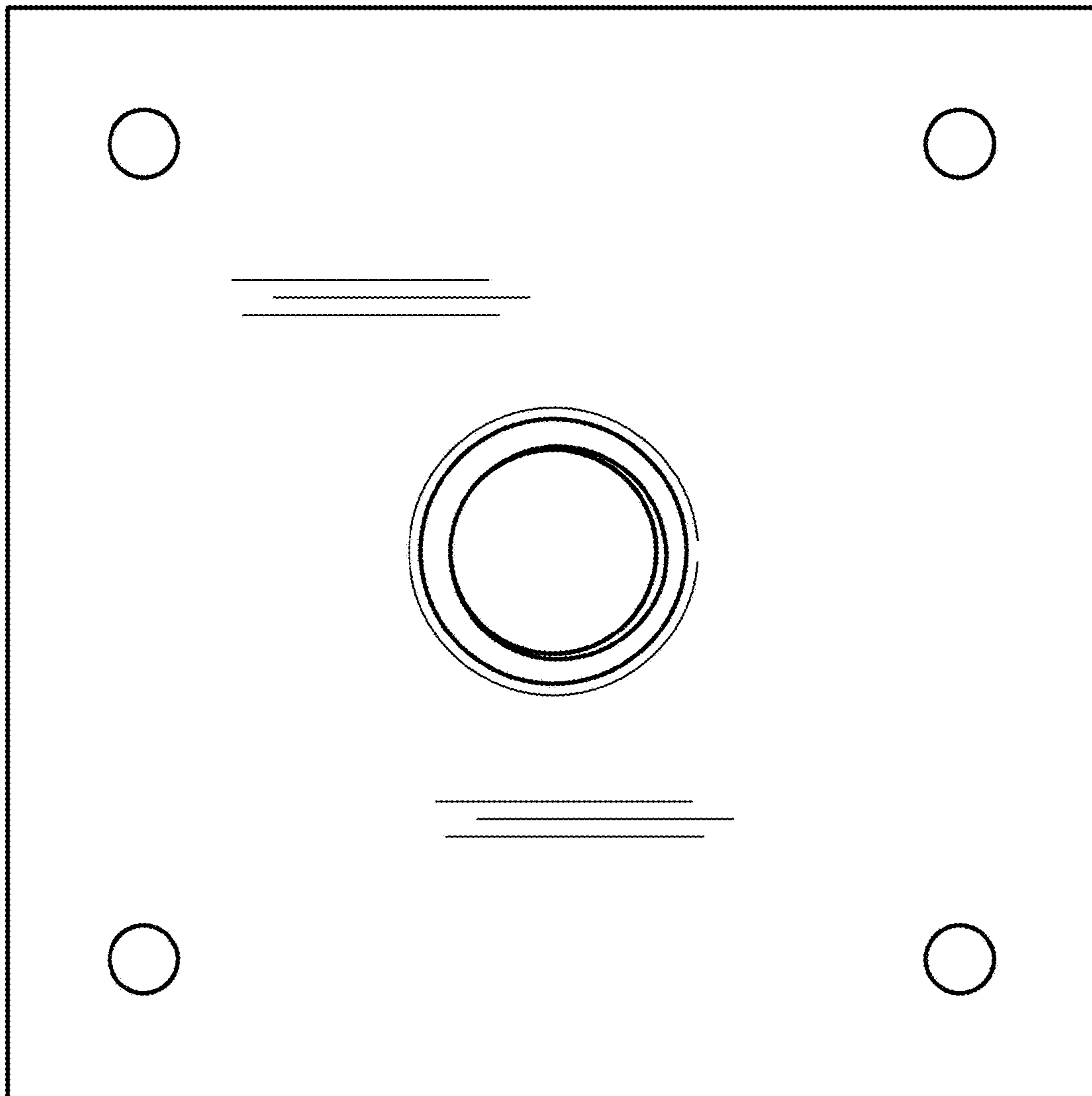
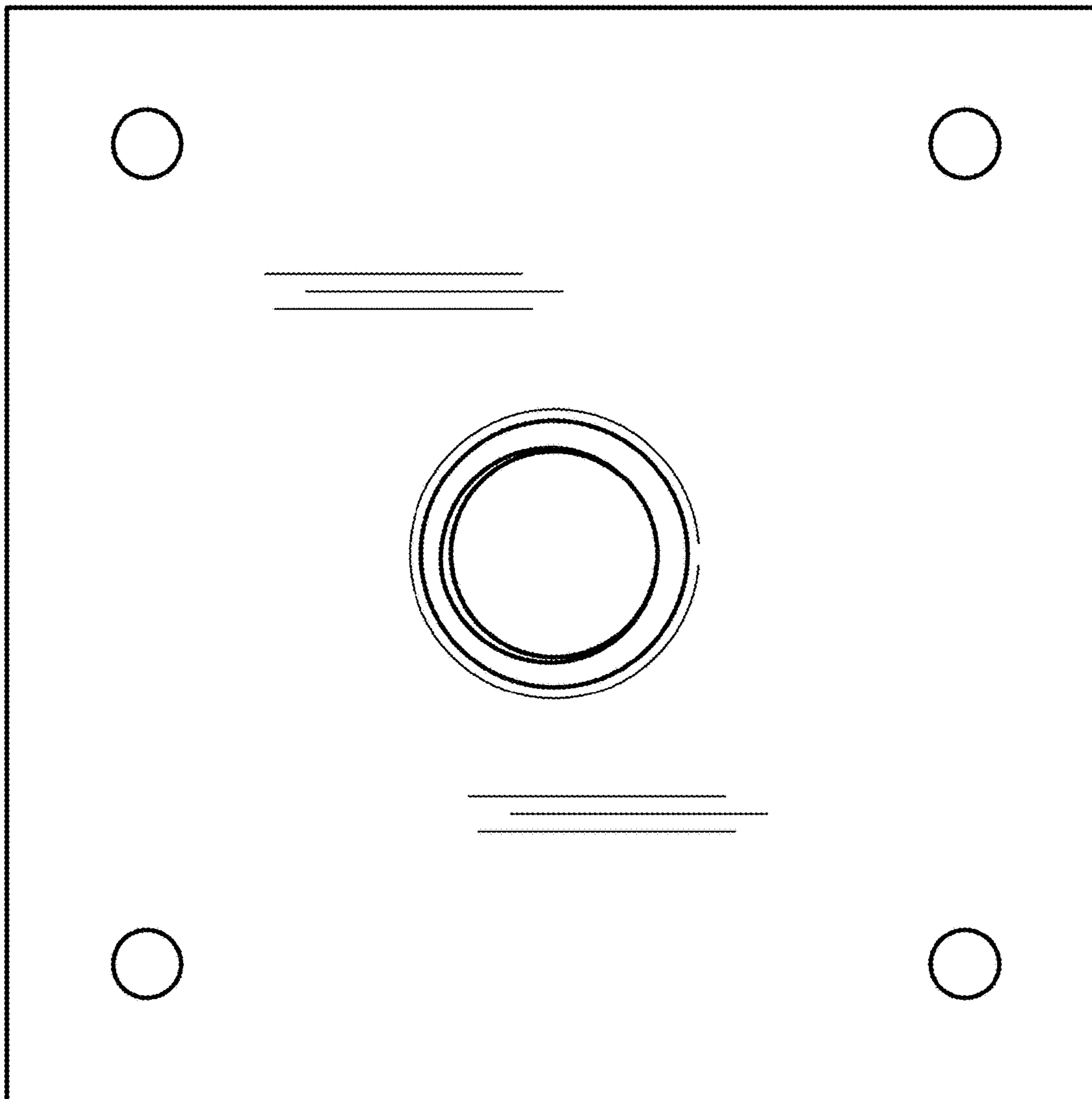
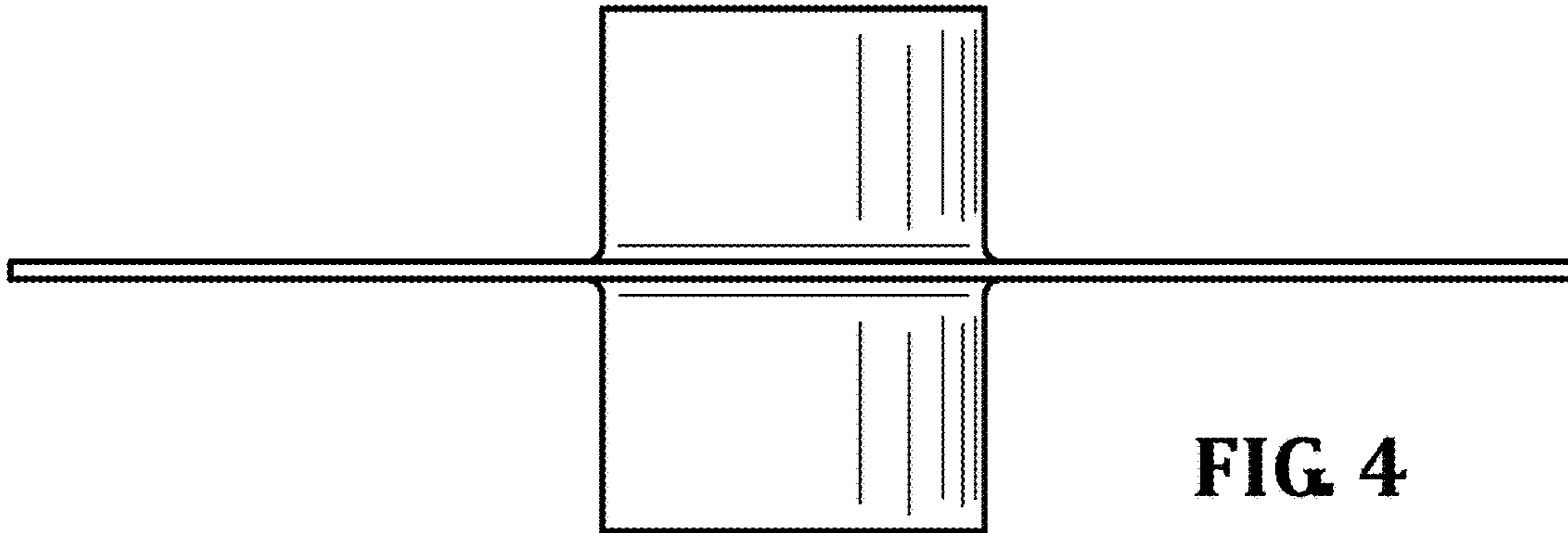


FIG 3



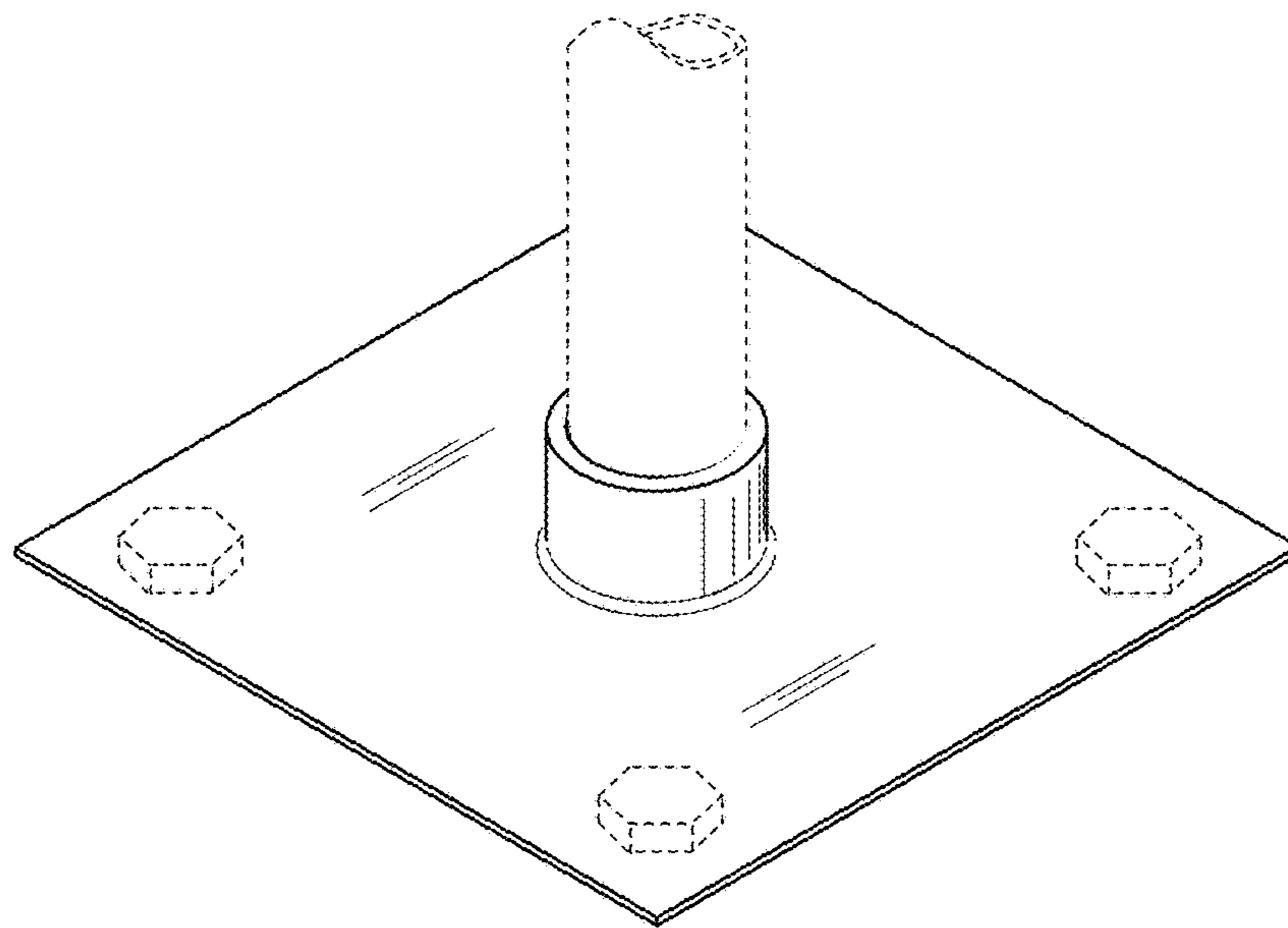


FIG. 6