



US00D805219S

(12) **United States Design Patent** (10) **Patent No.:** **US D805,219 S**
Shen (45) **Date of Patent:** **** Dec. 12, 2017**

(54) **TILE**

(71) Applicant: **HUZHOU XINFENG WOOD PLASTIC COMPOSITE CO., LTD.**, Huzhou, Zhejiang Province (CN)

(72) Inventor: **Shuiliang Shen**, Huzhou (CN)

(73) Assignee: **HUZHOU XINFENG WOOD PLASTIC COMPOSITE CO., LTD.**, Huzhou, Zhejiang Province (CN)

(**) Term: **14 Years**

(21) Appl. No.: **29/504,840**

(22) Filed: **Oct. 9, 2014**

Related U.S. Application Data

(63) Continuation-in-part of application No. 29/504,077, filed on Oct. 1, 2014, now abandoned.

(30) **Foreign Application Priority Data**

Aug. 20, 2014 (CN) 2014 3 0297083

(51) **LOC (10) Cl.** **25-01**

(52) **U.S. Cl.**
USPC **D25/138**

(58) **Field of Classification Search**

USPC D25/138, 163, 158, 160, 157, 156, 153;
52/87, 177, 385, 384, 392, 591.2, 311.1,
(Continued)

(56) **References Cited**

U.S. PATENT DOCUMENTS

D255,744 S * 7/1980 Dekko D25/156
D274,948 S * 7/1984 Swanson D25/156
(Continued)

FOREIGN PATENT DOCUMENTS

CN 302477833 S 6/2013

OTHER PUBLICATIONS

WPC DIY Tile Produced by Huzhou Xinfeng Wood Plastic Composite Co., Ltd., 3 pps., 2012.

WPC DIY Tile Produced by unknown manufacturer, 3 pps., 2013.

Primary Examiner — Susan Bennett Hattan

Assistant Examiner — Camelia H Styles

(74) *Attorney, Agent, or Firm* — Muncy, Geissler, Olds & Lowe PC

(57) **CLAIM**

The ornamental design for a tile, as shown and described.

DESCRIPTION

FIG. 1 is a front, right perspective view of a tile showing my new design;

FIG. 2 is a top, plan view of the tile of FIG. 1;

FIG. 3 is a right, side view of the tile of FIG. 1, the left side being a mirror image thereof;

FIG. 4 is a front view of the tile of FIG. 1, the rear view being a mirror image thereof;

FIG. 5 is a cross-sectional view of the tile taken along line 5-5 in FIG. 2 with the underlying unclaimed structure not being shown for ease of illustration; and,

FIG. 6 is an enlarged view of the tile taken in area 6 of FIG. 5.

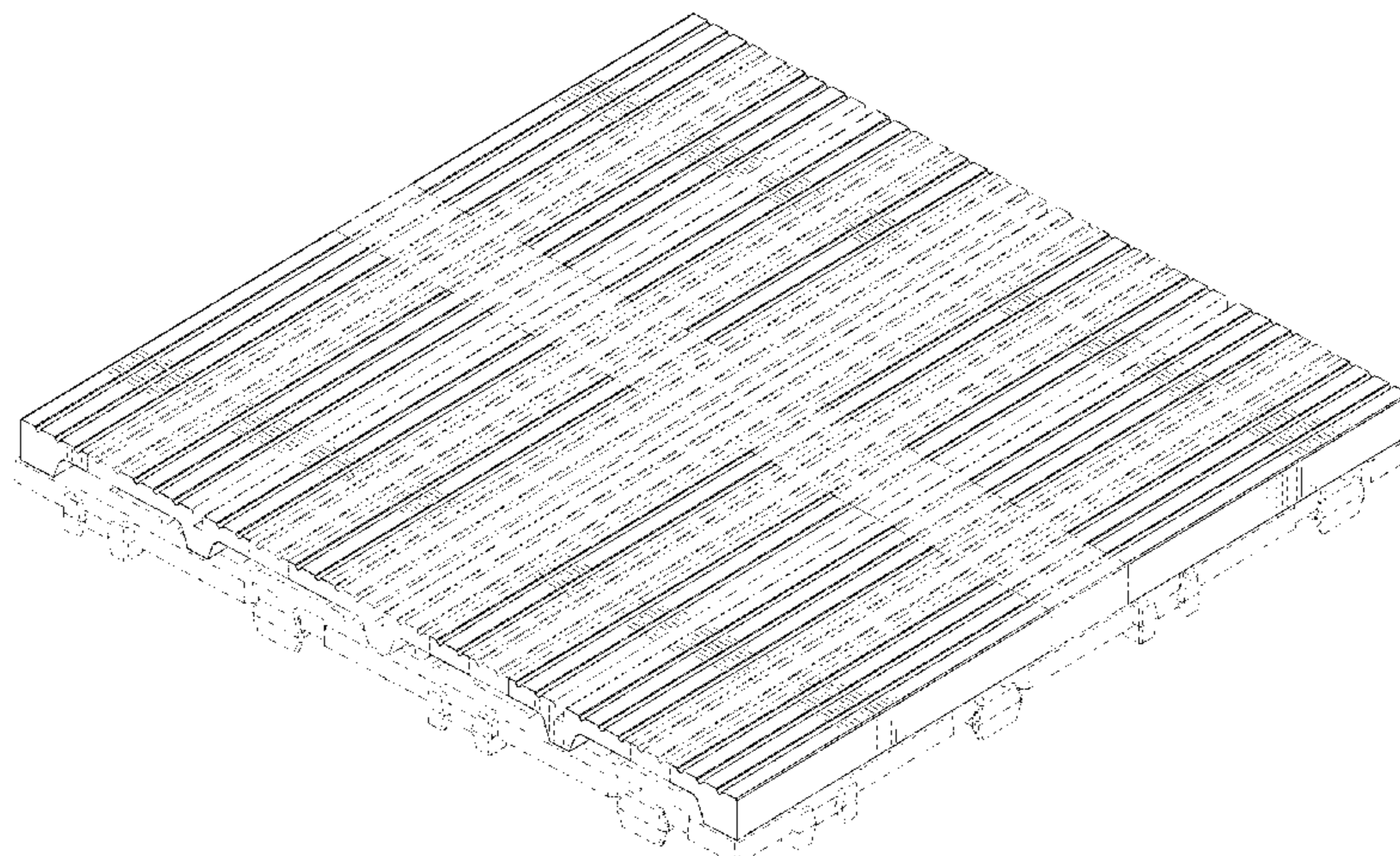
The dot-dash boundary line is a boundary line which defines the bounds of the claimed invention. It is understood that the claimed design extends to this boundary but does not include the boundary.

The dot-dash broken lines represent the boundary of a centrally disposed groove, which groove forms no part of the claimed design.

The dash-dash broken lines shown in the drawings, within the boundary lines, are directed to portions of the disclosure which form no part of the claimed design.

The dash-dash broken lines showing each deep groove on the tile and the structure underlying the tile, indicates environmental structure and form no part of the claimed design.

(Continued)



The dot-dot-dash broken lines are showing the circular boundary of the enlargement portions which form no part of the claimed design.

The bottom of the tile is unclaimed.

1 Claim, 3 Drawing Sheets

(58) Field of Classification Search

USPC 52/311.3, 314, 316, 389, 302.1, 309.1,
 52/309.3, 748.11, 581.1, 403.1, 539, 163,
 52/584.1, 180.1; 428/33, 172, 48, 49, 50,
 428/52, 61; D13/102
 CPC B44F 1/10; B44F 3/00; E04F 15/02; E04F
 15/16; E04F 15/22; E04F 13/0871; E04F
 2290/02; E04F 2201/01; E04F 2201/02;
 E04F 2201/03; E04F 2201/04; E04F
 2201/0541; E04F 2201/06; E04F 2201/07;
 E04F 2201/08; E04F 2201/09; E04F
 2203/02; E04F 2203/06; E04F 2203/08;
 E04F 15/105; E04F 15/10; E04F
 15/02022; E04F 15/225; E01C 5/20;
 E01C 13/045; E01C 11/24; E01C
 2201/12; E01C 2201/16; E01C 18/04

See application file for complete search history.

(56)

References Cited

U.S. PATENT DOCUMENTS

4,538,392	A *	9/1985	Hamar	E01C 13/04 403/336
D397,457	S *	8/1998	Hutchings	D25/156
D481,470	S *	10/2003	Moller, Jr.	D25/163
D611,623	S *	3/2010	Ardern	D25/153
8,397,466	B2 *	3/2013	Jenkins	E01C 13/045 52/177
D700,367	S *	2/2014	Shen	D25/138
D700,368	S *	2/2014	Shen	D25/138
8,756,882	B1 *	6/2014	Vachon	E04F 15/105 52/177
D716,218	S *	10/2014	Loeckenhoff	D13/102
2006/0070314	A1 *	4/2006	Jenkins	E01C 13/045 52/177
2007/0289244	A1 *	12/2007	Haney	E01C 5/20 52/539
2011/0056158	A1 *	3/2011	Moller, Jr.	E01C 5/20 52/403.1
2014/0234567	A1 *	8/2014	Rule	E04F 13/0864 428/61

* cited by examiner

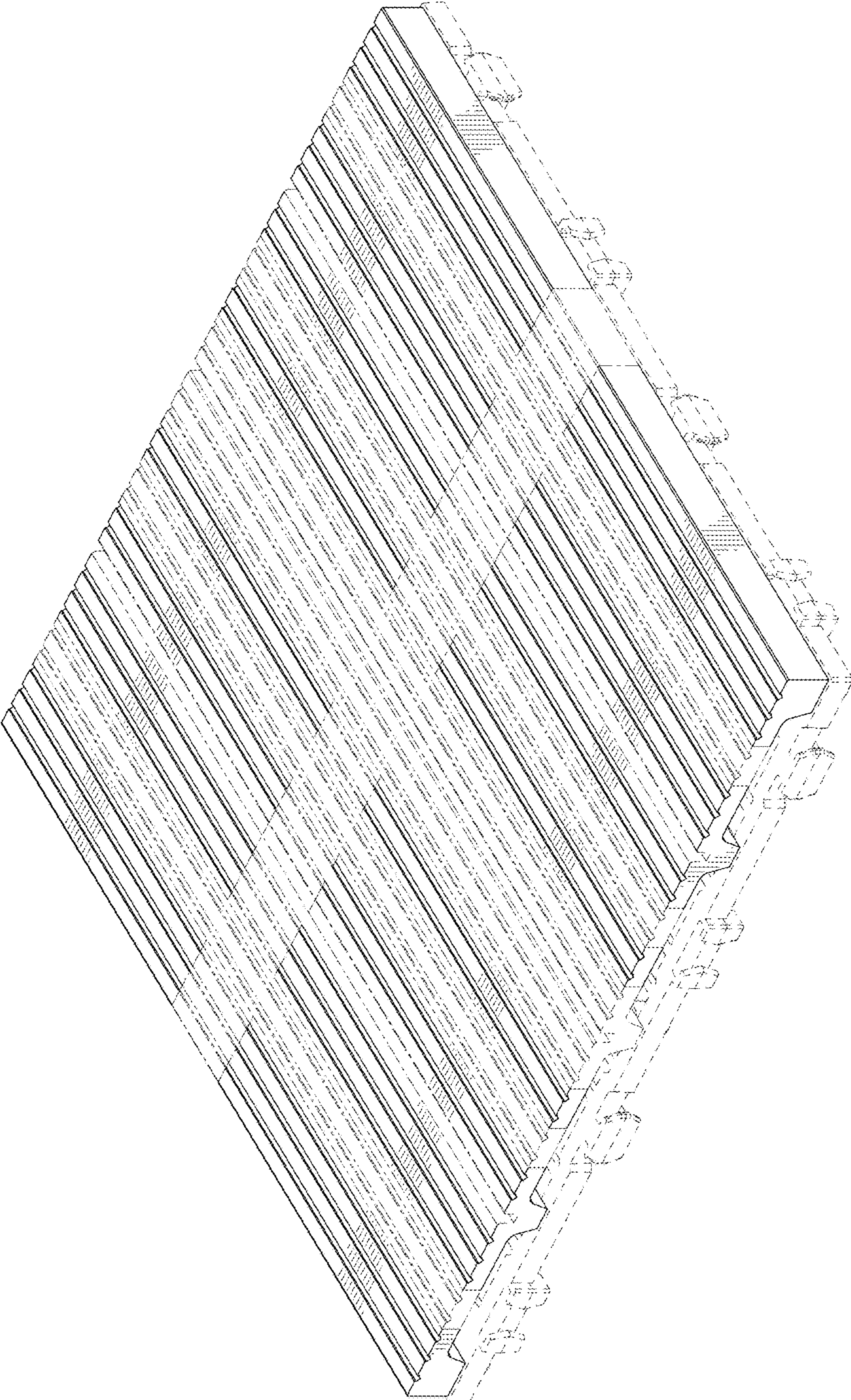
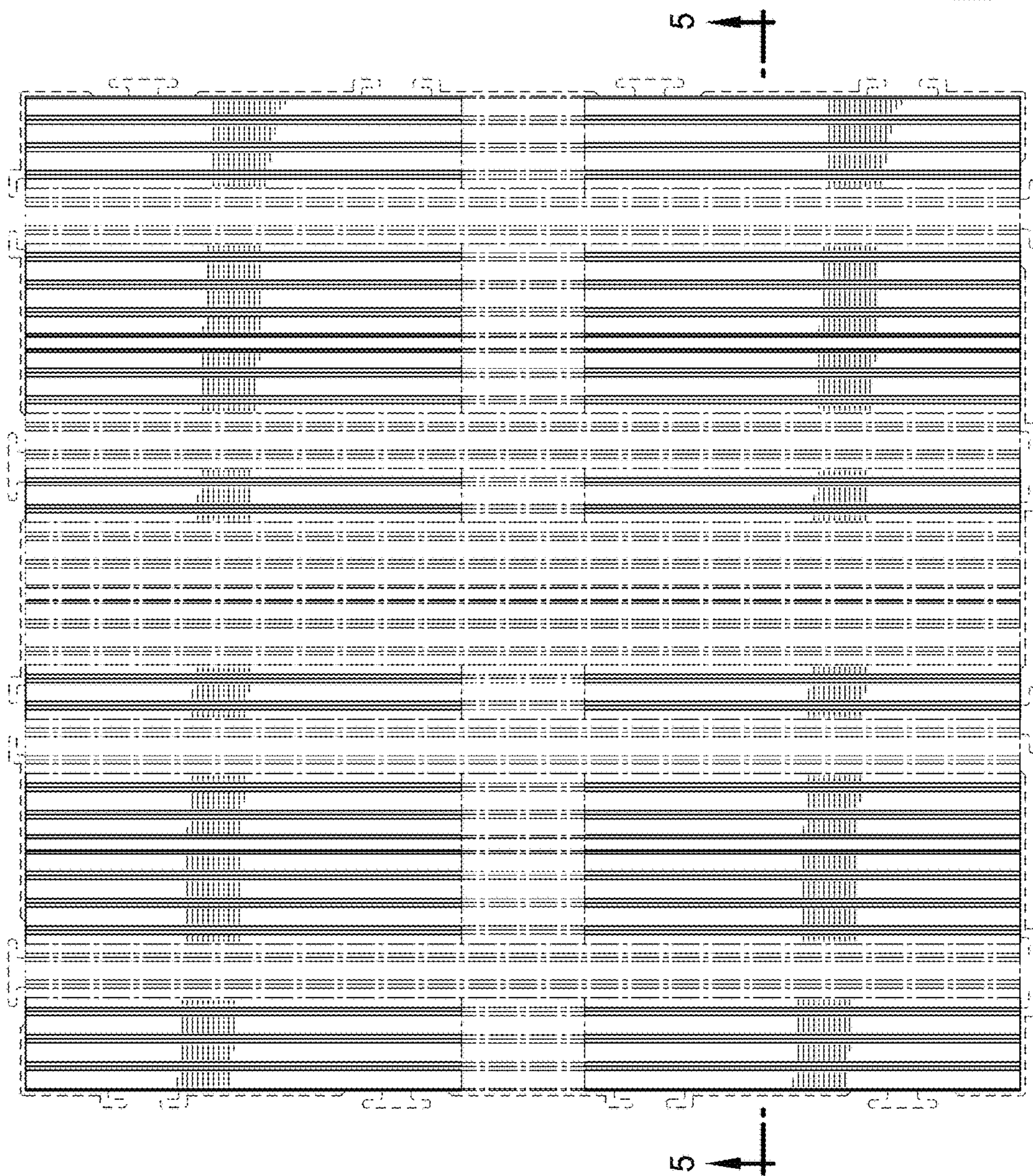


FIG.1



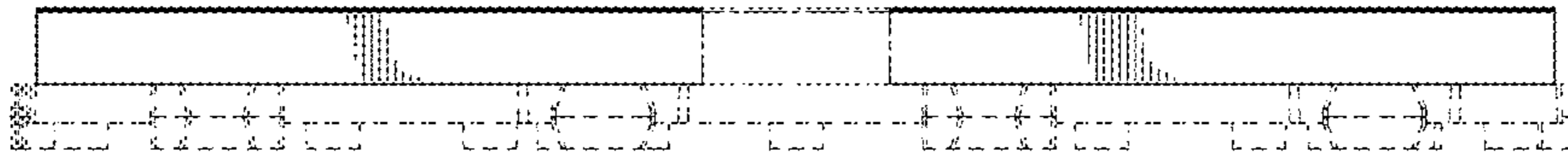


FIG.3



FIG.4

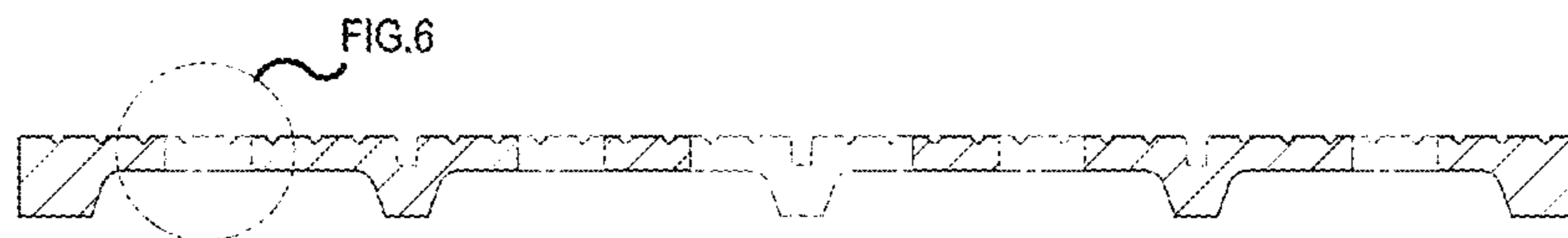


FIG.5

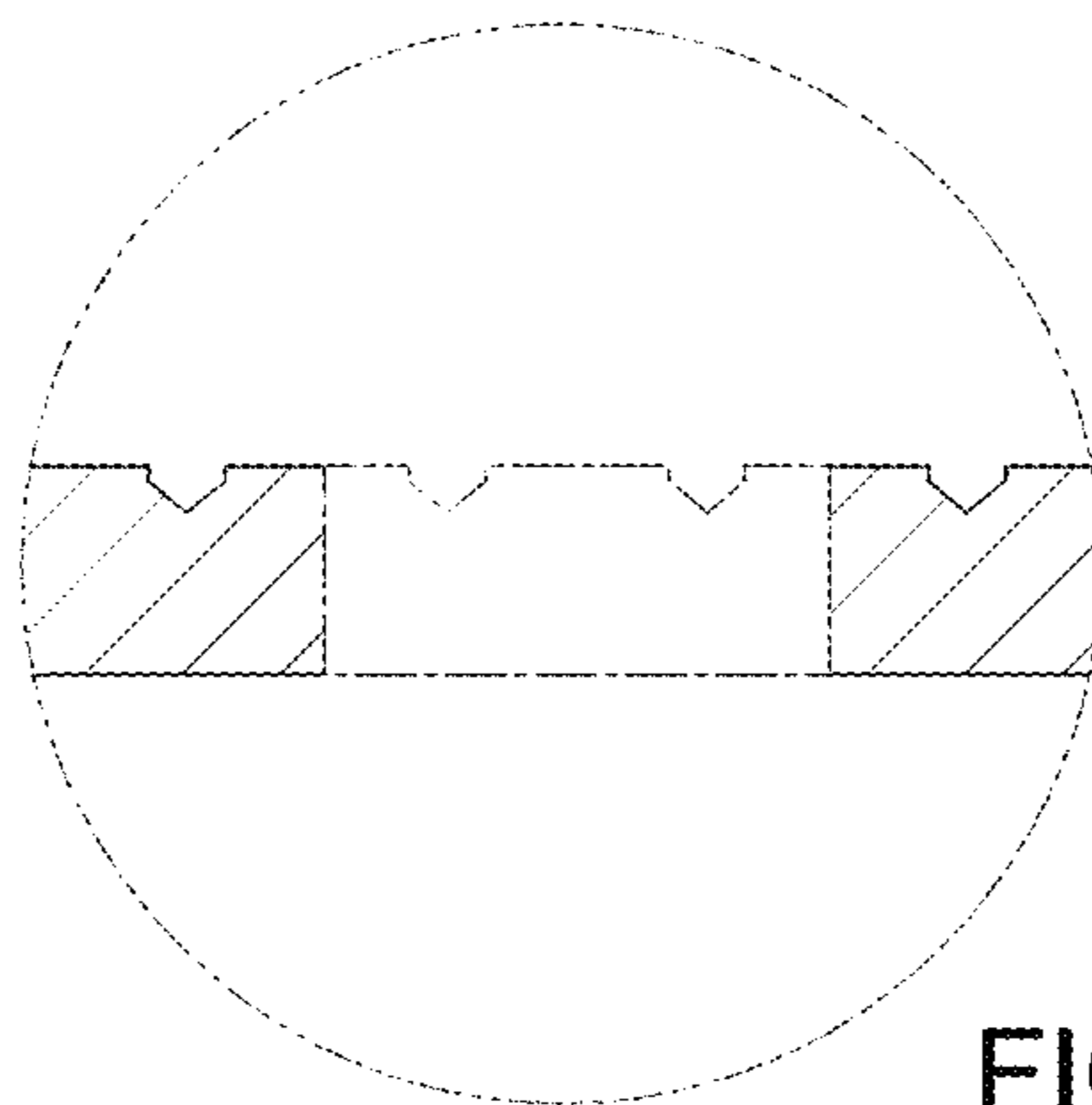


FIG.6