



US00D805218S

(12) **United States Design Patent**
Malone

(10) **Patent No.:** **US D805,218 S**

(45) **Date of Patent:** **** Dec. 12, 2017**

(54) **PIVOTABLE SAWHORSE BRACKET**

(71) Applicant: **Mickey Burnsie Malone**, Dexter, GA
(US)

(72) Inventor: **Mickey Burnsie Malone**, Dexter, GA
(US)

(**) Term: **15 Years**

(21) Appl. No.: **29/562,981**

(22) Filed: **Apr. 29, 2016**

(51) **LOC (10) Cl.** **25-04**

(52) **U.S. Cl.**
USPC **D25/68**

(58) **Field of Classification Search**

USPC D25/62, 67, 68, 38, 58; 182/181.1,
182/186.3, 182.1, 154, 182.4, 186.1, 155,
182/153, 185.1, 224, 186.5, 152, 179.1,
182/184, 181, 185, 186, 183.1, 186.7,
182/178.1, 66.1, 182.2, 194, 67.4, 64.1,
182/101, 102, 106, 115, 112, 120, 121,
182/228.1, 228.2, 182, 225-227, 113;
248/163.2, 201, 166, 188.8, 228.1, 188,
248/163.1, 411, 431, 161, 200, 238,
248/218.4, 219.1; 269/901; D6/311-312;
D8/349, 354, 380-382, 394, 373;
403/205, 373, 382, 402, 170, 217
CPC ... B25H 1/06; B25H 1/04; B25H 1/08; B25H
1/10; B25H 3/00; B27B 17/0075
See application file for complete search history.

(56) **References Cited**

U.S. PATENT DOCUMENTS

3,666,047 A * 5/1972 Adnerson E04G 1/32
182/185.1
D251,018 S * 2/1979 Lockwood D25/68

D362,510 S * 9/1995 Jones D25/68
D423,686 S * 4/2000 Swain D25/68
6,758,307 B1 * 7/2004 Ols B25H 1/06
182/153
7,021,424 B2 * 4/2006 Herman B25H 1/06
182/224
D535,758 S * 1/2007 Spreadborough D25/68
8,807,498 B1 * 8/2014 McCoy B27B 21/00
248/201
9,321,169 B1 * 4/2016 Satur B25H 1/06
D768,466 S * 10/2016 Simmons D8/354
2003/0213648 A1 * 11/2003 Dembicks B23D 47/025
182/185.1
2005/0247833 A1 * 11/2005 Herman B25H 1/06
248/163.2
2010/0012432 A1 * 1/2010 Noel B25H 1/06
182/153

* cited by examiner

Primary Examiner — Cynthia Ramirez

Assistant Examiner — Gino Colan

(74) *Attorney, Agent, or Firm* — Michael J. Bootcheck,
LLC

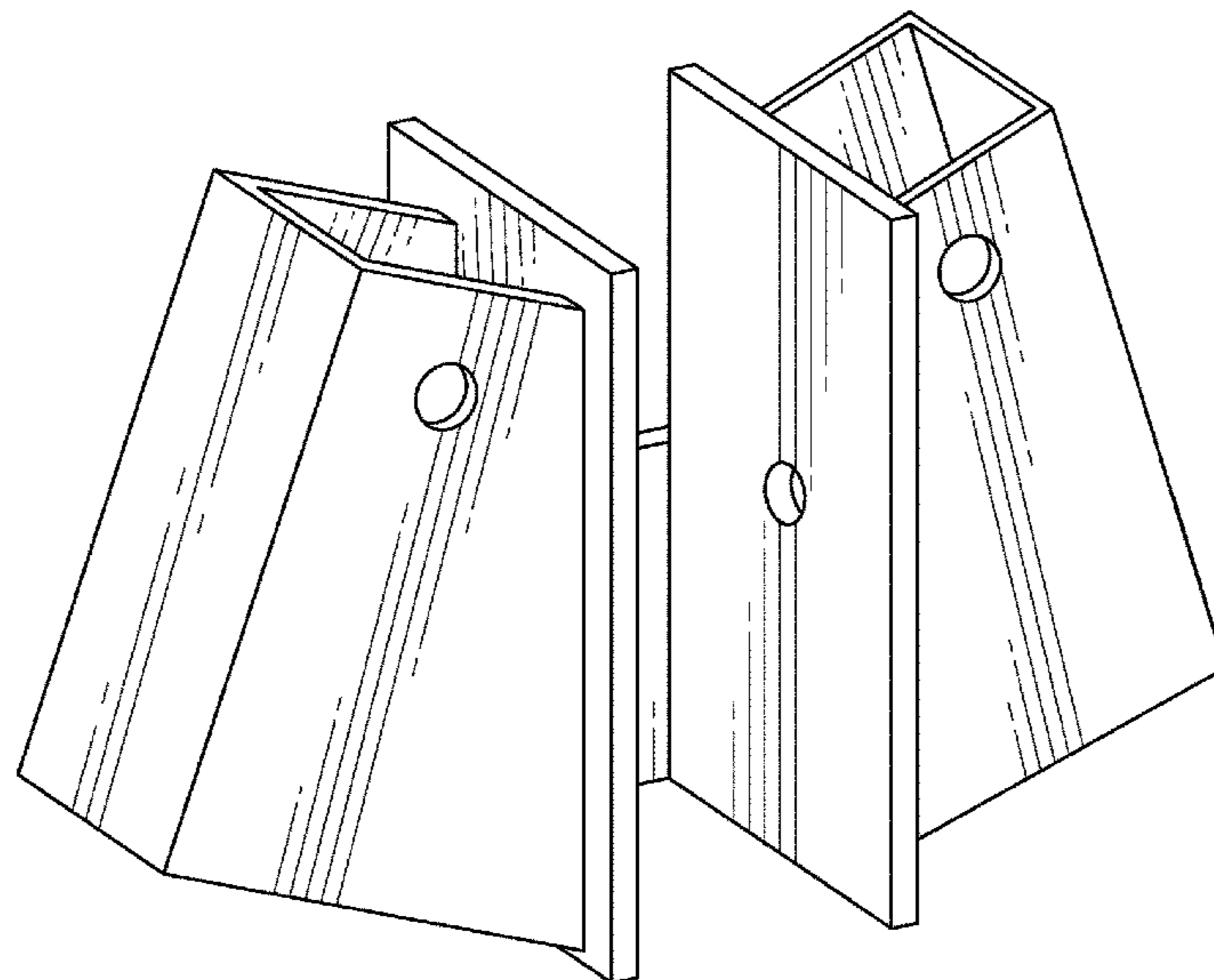
(57) **CLAIM**

The ornamental design for a pivotable sawhorse bracket, as shown and described.

DESCRIPTION

FIG. 1 is a perspective view of a pivotable sawhorse bracket showing my new design;
FIG. 2 is a front elevational view thereof;
FIG. 3 is a rear elevational view thereof;
FIG. 4 is a side elevational view thereof;
FIG. 5 is a top plan view thereof; and,
FIG. 6 is a bottom plan view thereof.

1 Claim, 3 Drawing Sheets



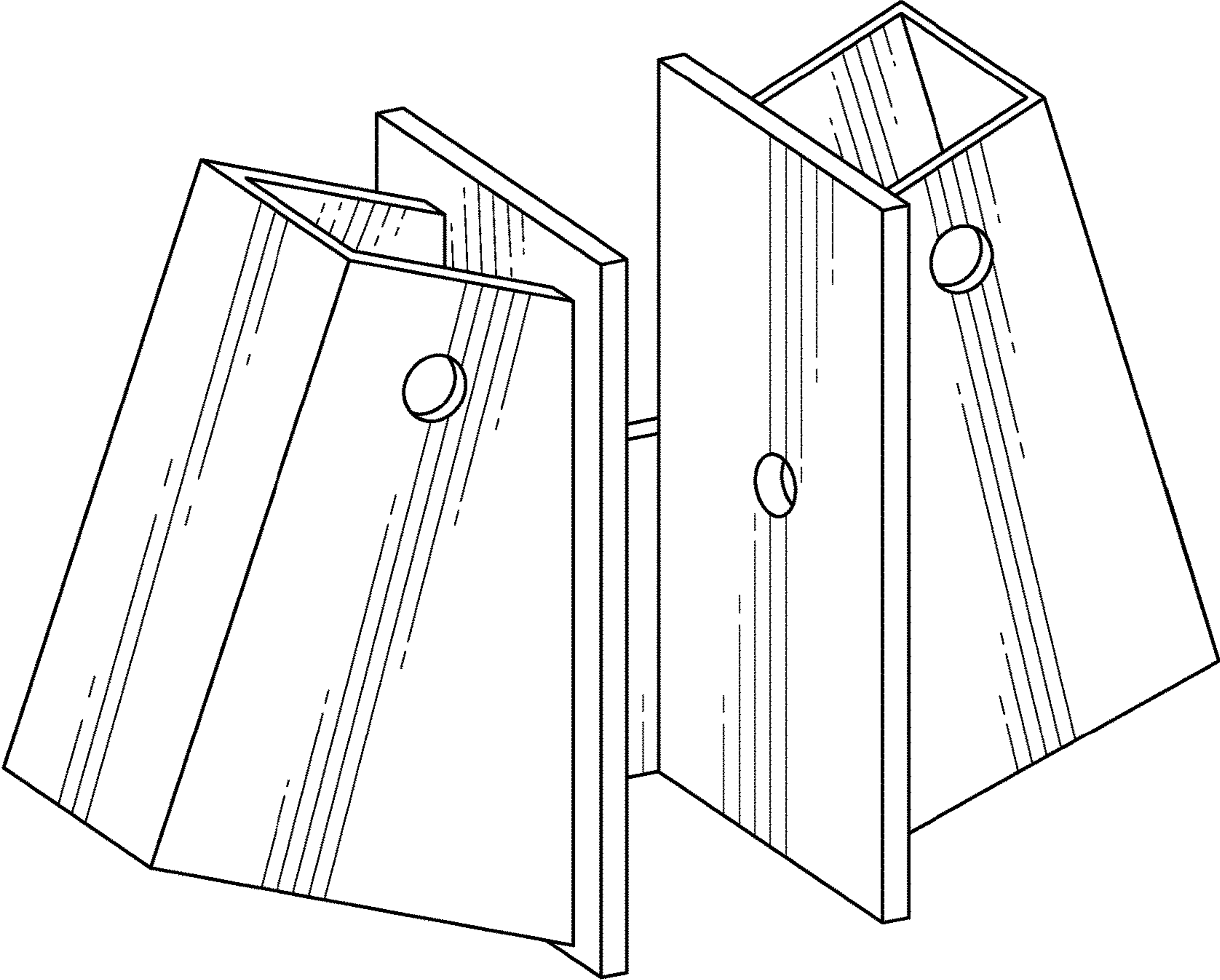


FIG. 1

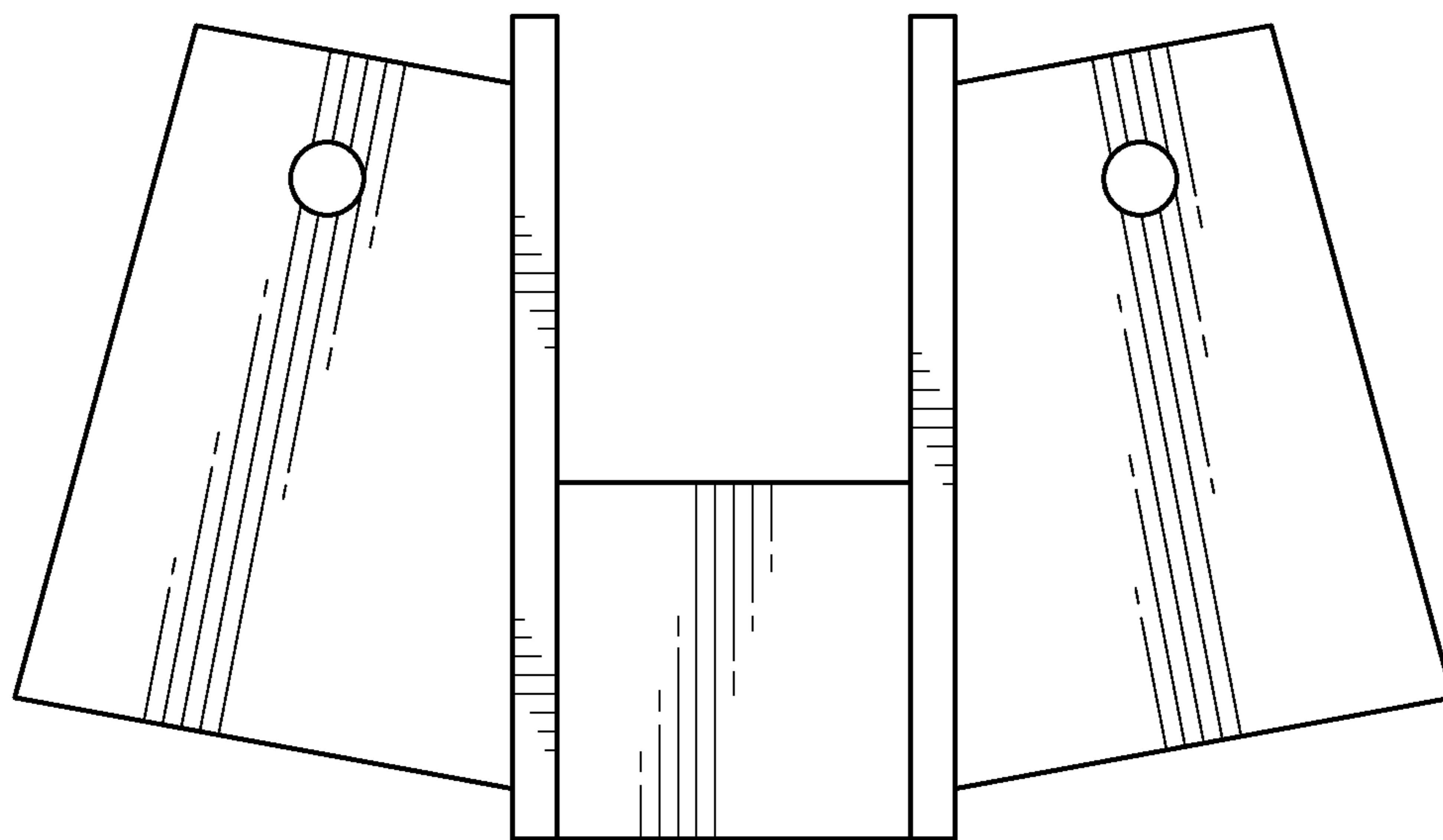


FIG. 2

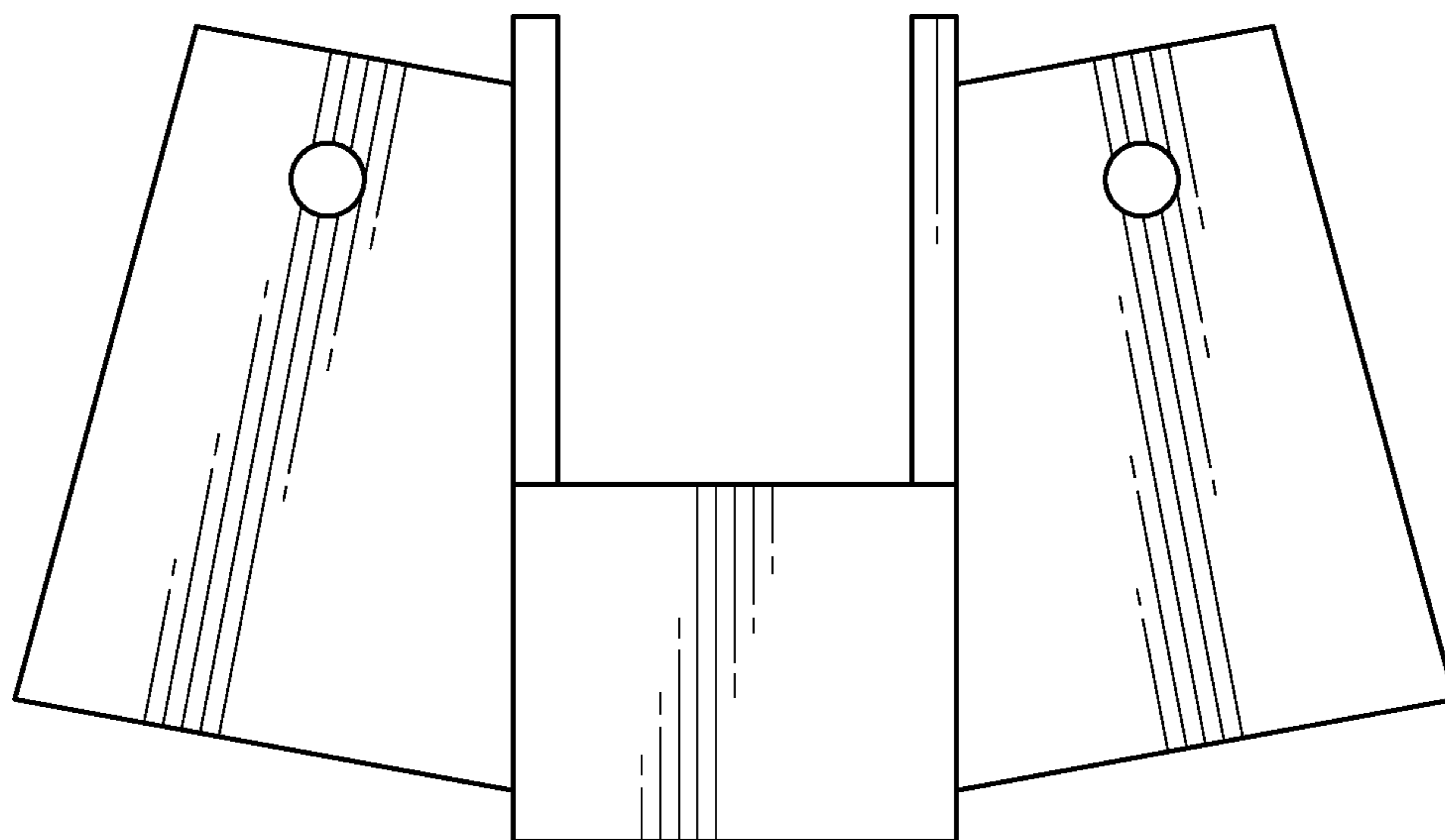


FIG. 3

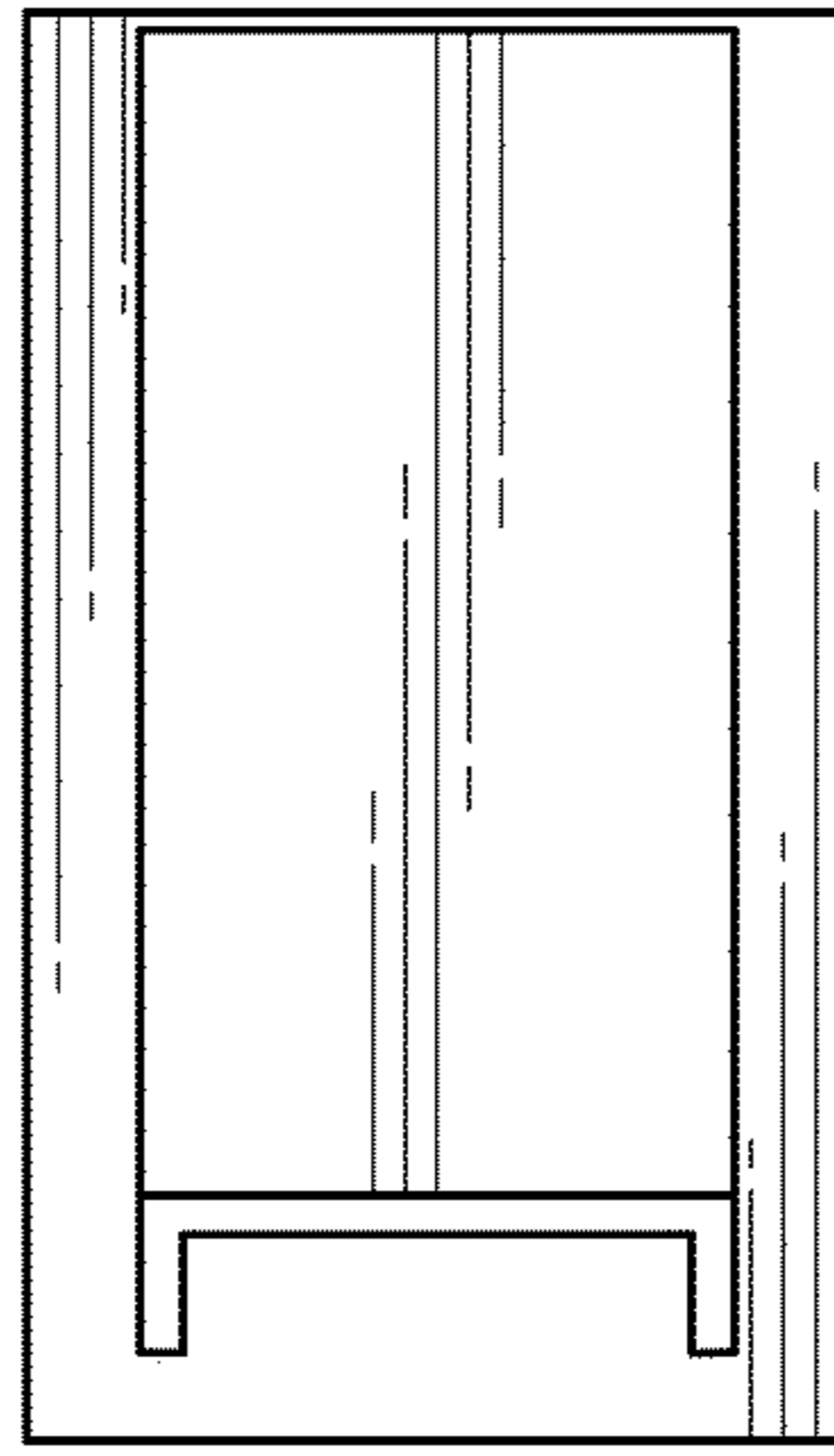


FIG. 4

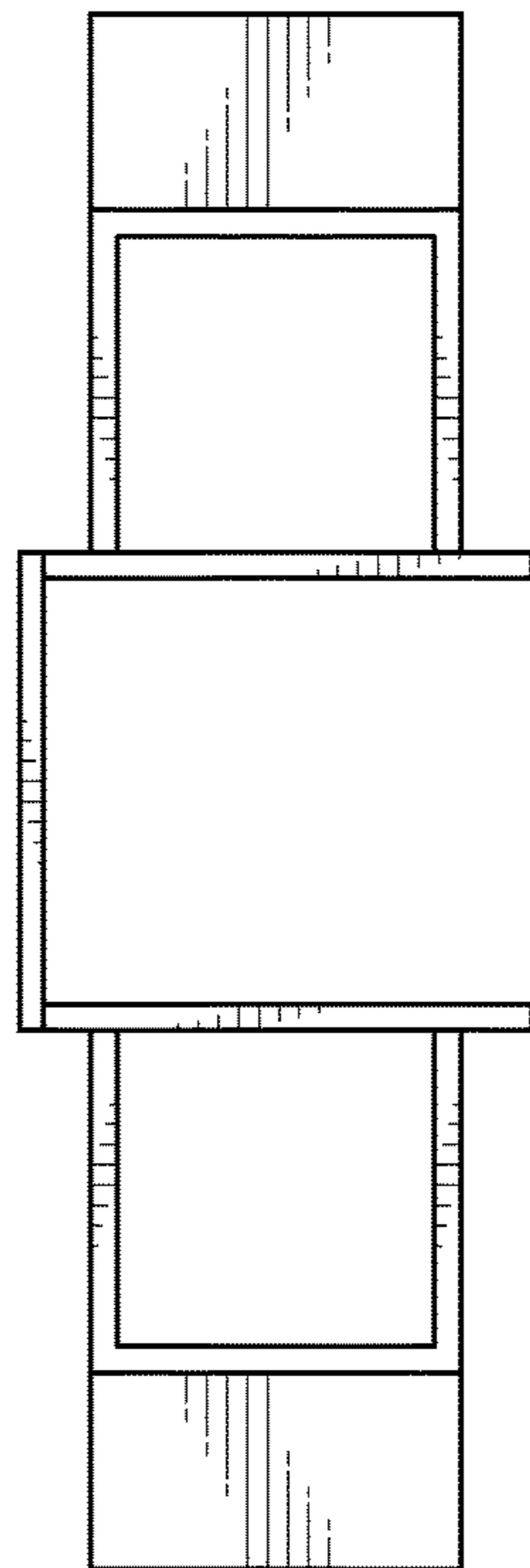


FIG. 5

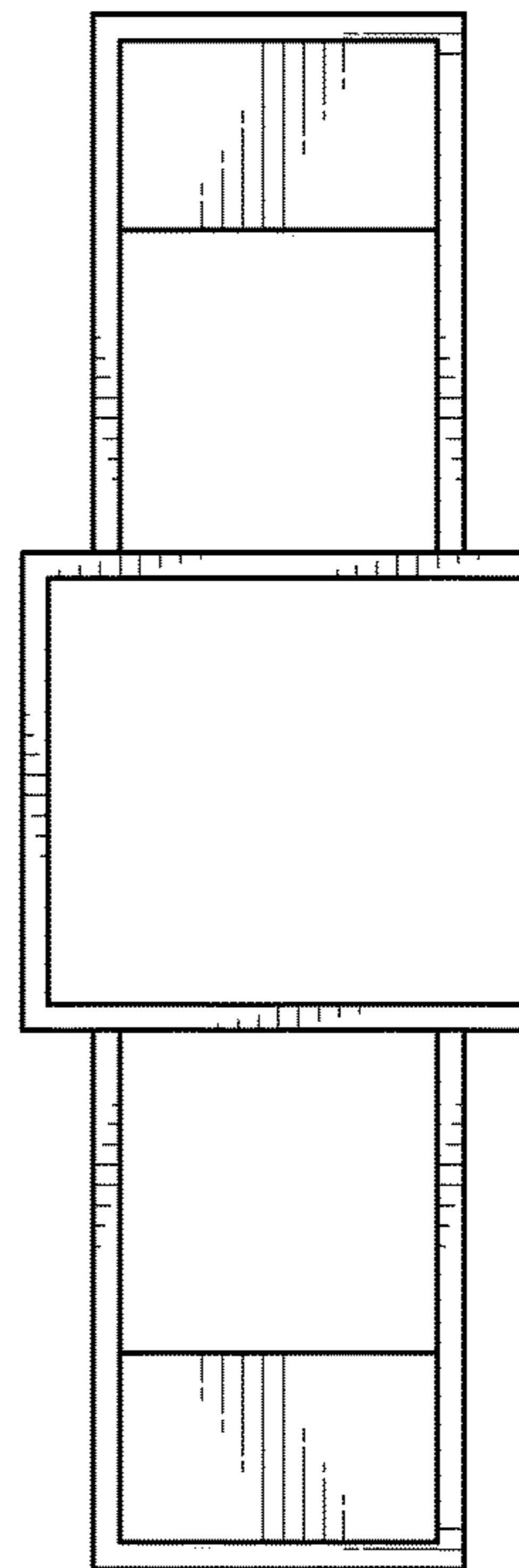


FIG. 6