



US00D805217S

(12) **United States Design Patent**
Malone

(10) **Patent No.:** **US D805,217 S**

(45) **Date of Patent:** **** Dec. 12, 2017**

- (54) **PIVOTABLE SAWHORSE BRACKET**
- (71) Applicant: **Mickey Burnsie Malone**, Dexter, GA (US)
- (72) Inventor: **Mickey Burnsie Malone**, Dexter, GA (US)
- (**) Term: **15 Years**
- (21) Appl. No.: **29/562,979**
- (22) Filed: **Apr. 29, 2016**
- (51) **LOC (10) Cl.** **25-04**
- (52) **U.S. Cl.**
USPC **D25/68**
- (58) **Field of Classification Search**
USPC D25/62, 67, 68, 38, 58; 182/181.1, 182/186.3, 182.1, 154, 182.4, 186.1, 155, 182/153, 185.1, 224, 186.5, 152, 179.1, 182/184, 181, 185, 186, 183.1, 186.7, 182/178.1, 66.1, 182.2, 194, 67.4, 64.1, 182/101, 102, 106, 115, 112, 120, 121, 182/228.1, 228.2, 182, 225-227, 113; 248/163.2, 201, 166, 188.8, 228.1, 188, 248/163.1, 411, 431, 161, 200, 238, 248/218.4, 219.1; 269/901; D6/311-312; D8/349, 354, 380-382, 394, 373; 403/205, 373, 382, 402, 170, 217
CPC ... B25H 1/06; B25H 1/04; B25H 1/08; B25H 1/10; B25H 3/00; B27B 17/0075
See application file for complete search history.

- 6,758,307 B1 * 7/2004 Ols B25H 1/06 182/153
- 7,021,424 B2 * 4/2006 Herman B25H 1/06 182/224
- D535,758 S * 1/2007 Spreadborough D25/68
- 8,807,498 B1 * 8/2014 McCoy B27B 21/00 248/201
- 9,321,169 B1 * 4/2016 Satur B25H 1/06
- D768,466 S * 10/2016 Simmons D8/354
- 2003/0213648 A1 * 11/2003 Dembicks B23D 47/025 182/185.1
- 2005/0247833 A1 * 11/2005 Herman B25H 1/06 248/163.2

(Continued)

Primary Examiner — Cynthia Ramirez

Assistant Examiner — Gino Colan

(74) *Attorney, Agent, or Firm* — Michael J. Bootcheck, LLC

(57) **CLAIM**

The ornamental design for a pivotable sawhorse bracket, as shown and described.

DESCRIPTION

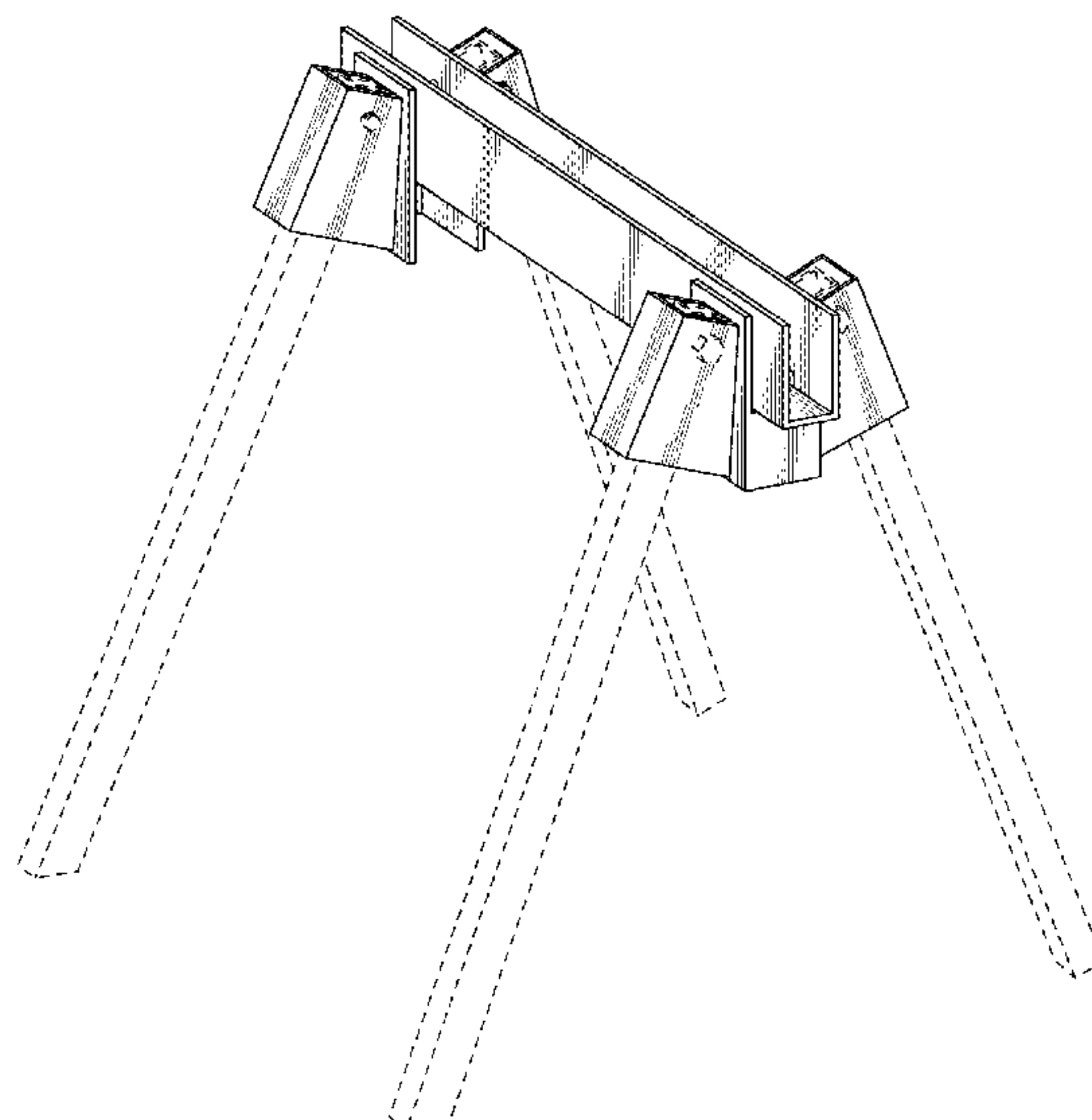
FIG. 1 is a perspective view of a pivotable sawhorse bracket showing my new design;
 FIG. 2 is a side elevational view thereof;
 FIG. 3 is an opposite side elevational view thereof;
 FIG. 4 is a front elevational view thereof;
 FIG. 5 is a top plan view thereof;
 FIG. 6 is a bottom plan view thereof;
 FIG. 7 is a top plan view thereof, shown in a collapsed condition; and,
 FIG. 8 is an end elevational view thereof, shown in a collapsed condition and a larger scale.
 The broken lines in the drawings showing legs are to show environment and form no part of the claimed design. The broken lines showing hardware in the figures are to show portions of the pivotable sawhorse bracket and form no part of the claimed design.

1 Claim, 7 Drawing Sheets

(56) **References Cited**

U.S. PATENT DOCUMENTS

- 3,666,047 A * 5/1972 Adnerson E04G 1/32 182/185.1
- D251,018 S * 2/1979 Lockwood D25/68
- D362,510 S * 9/1995 Jones D25/68
- D423,686 S * 4/2000 Swain D25/68



(56)

References Cited

U.S. PATENT DOCUMENTS

2010/0012432 A1* 1/2010 Noel B25H 1/06
182/153

* cited by examiner

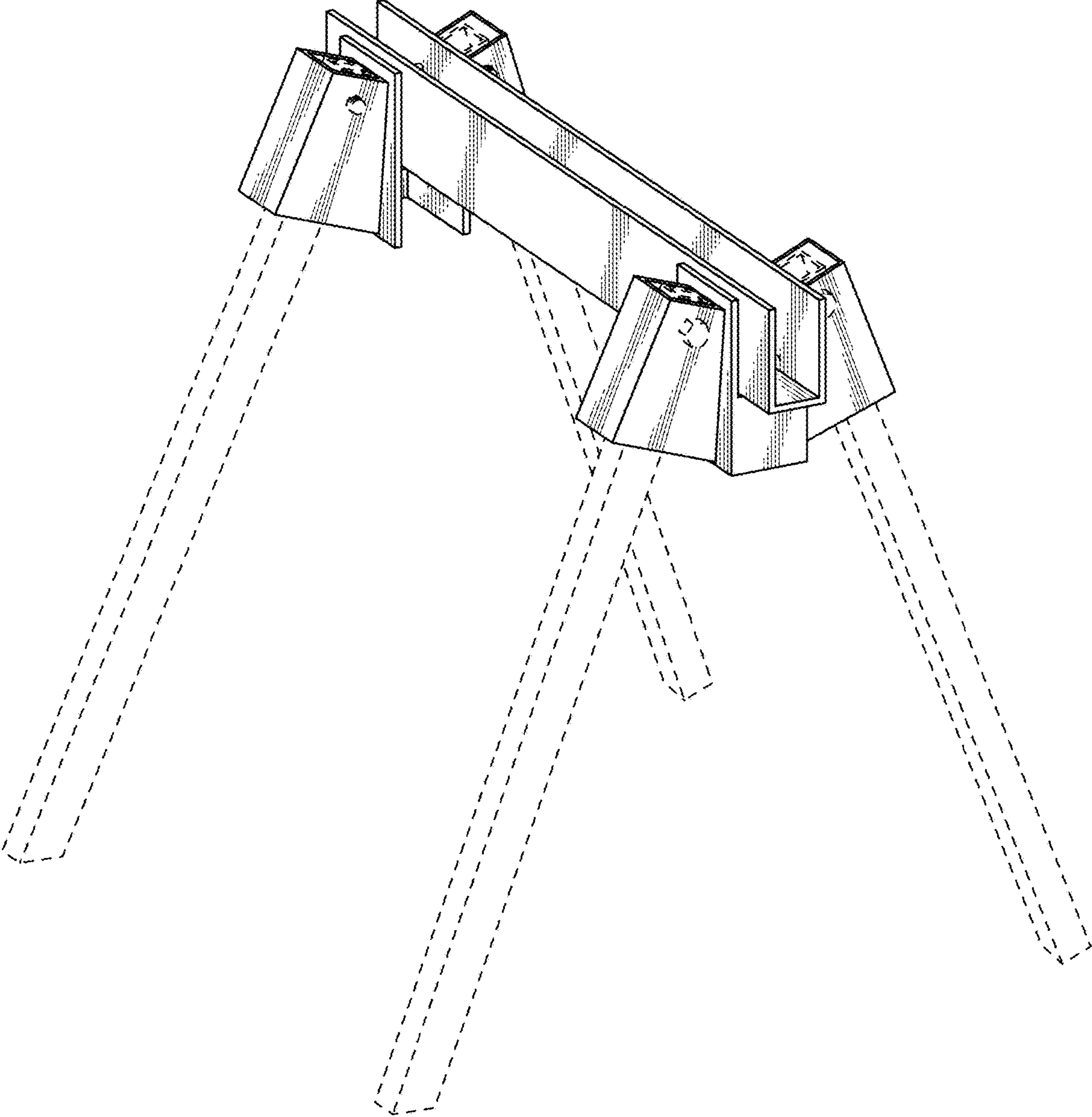


FIG. 1

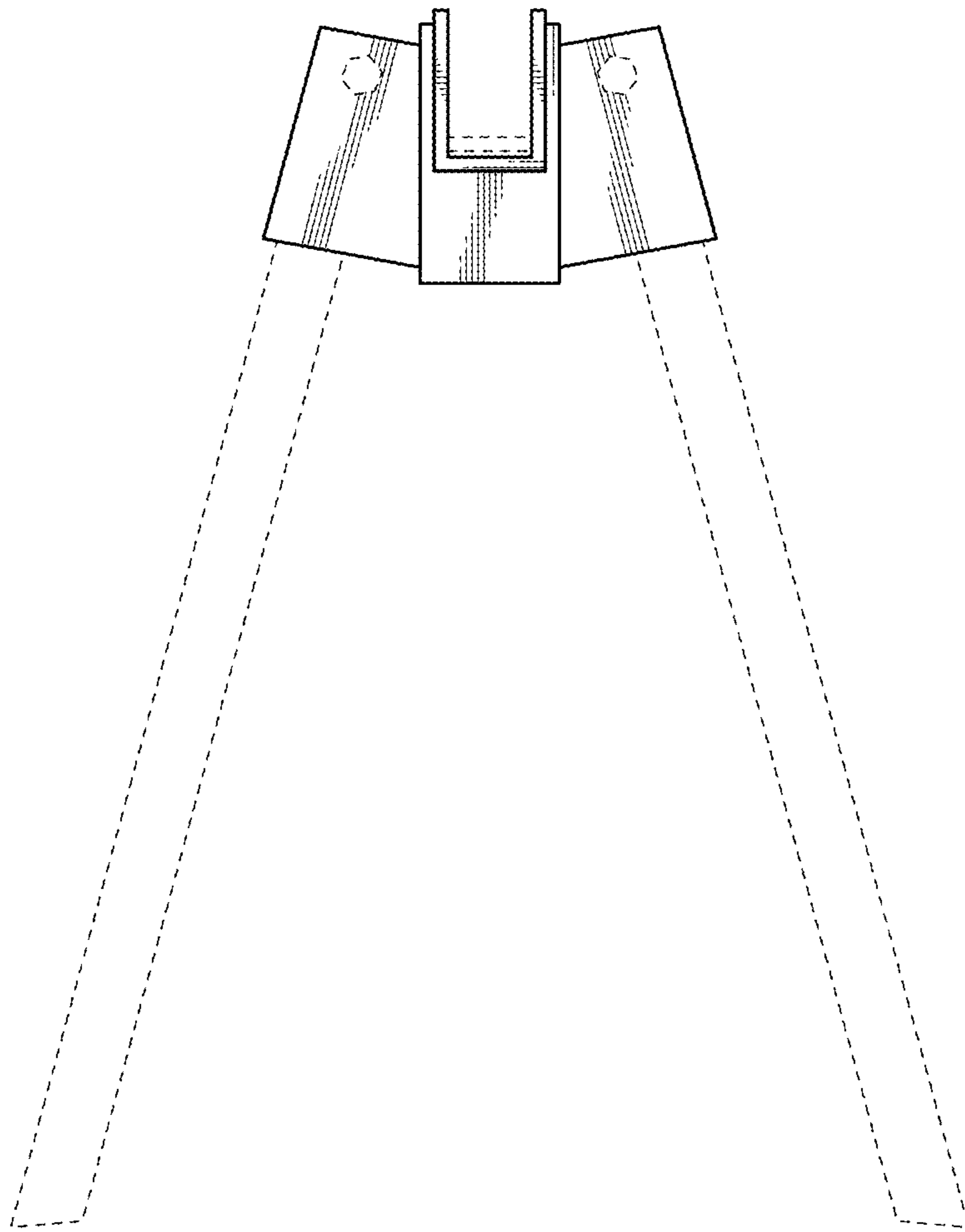


FIG. 2

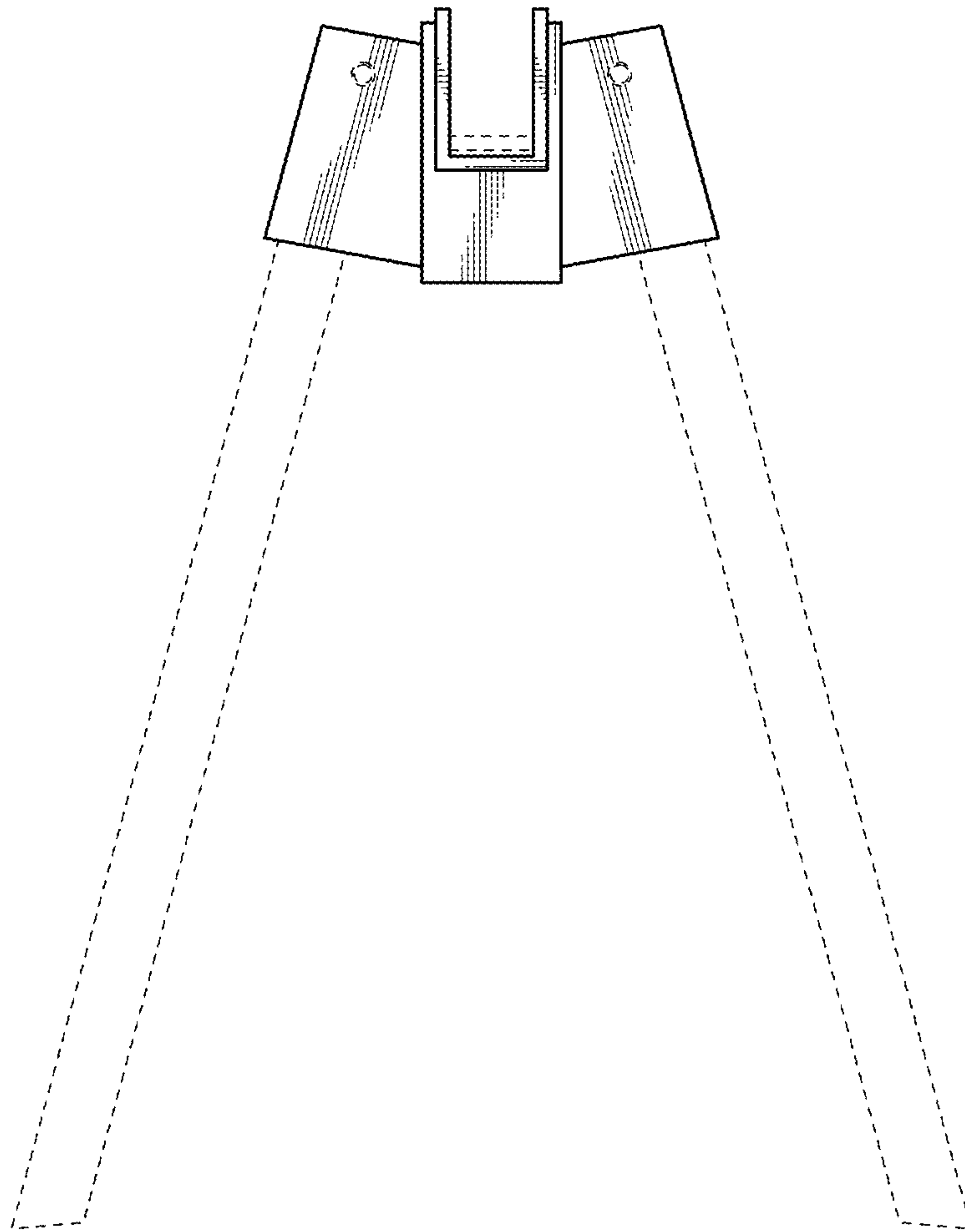


FIG. 3

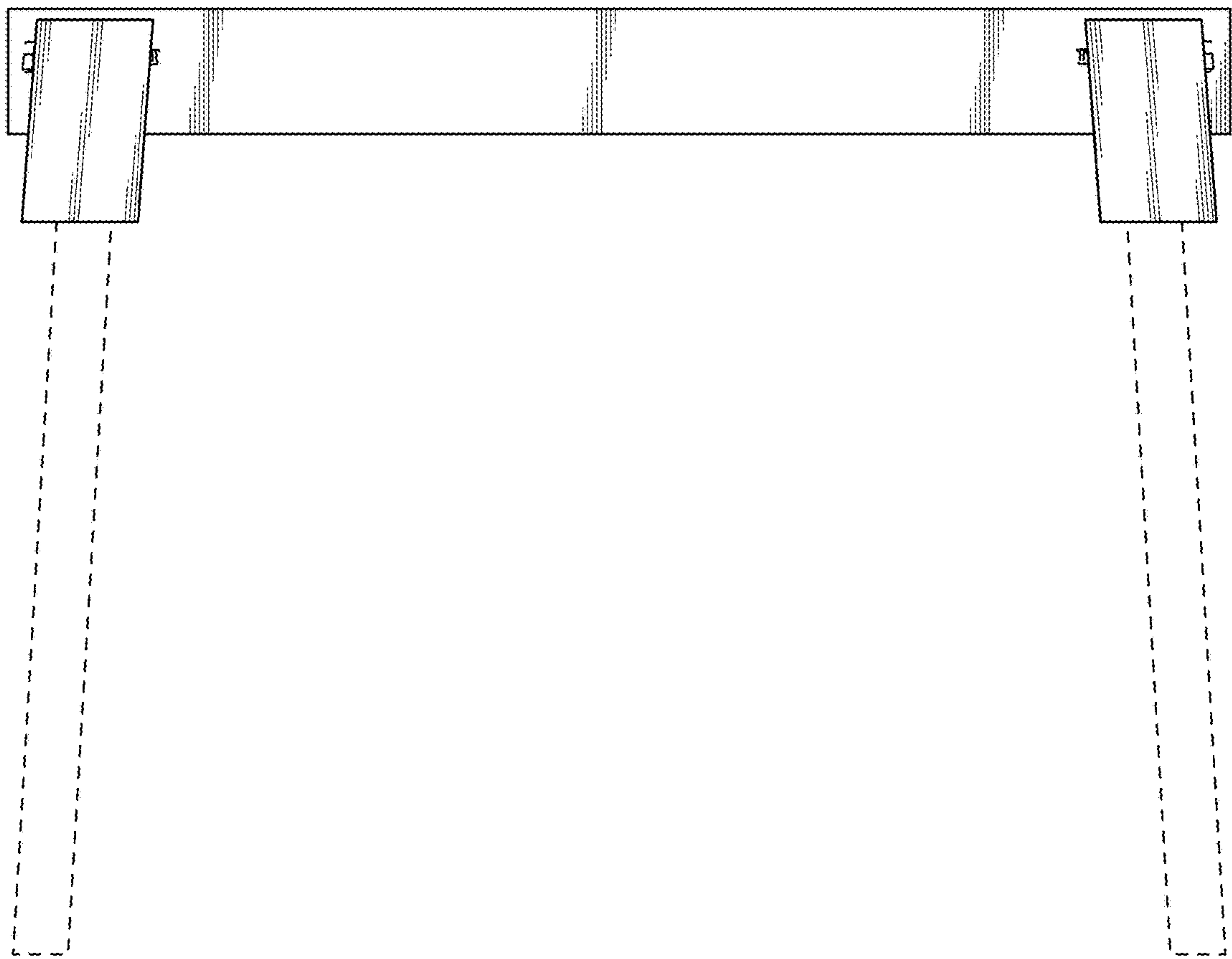


FIG. 4

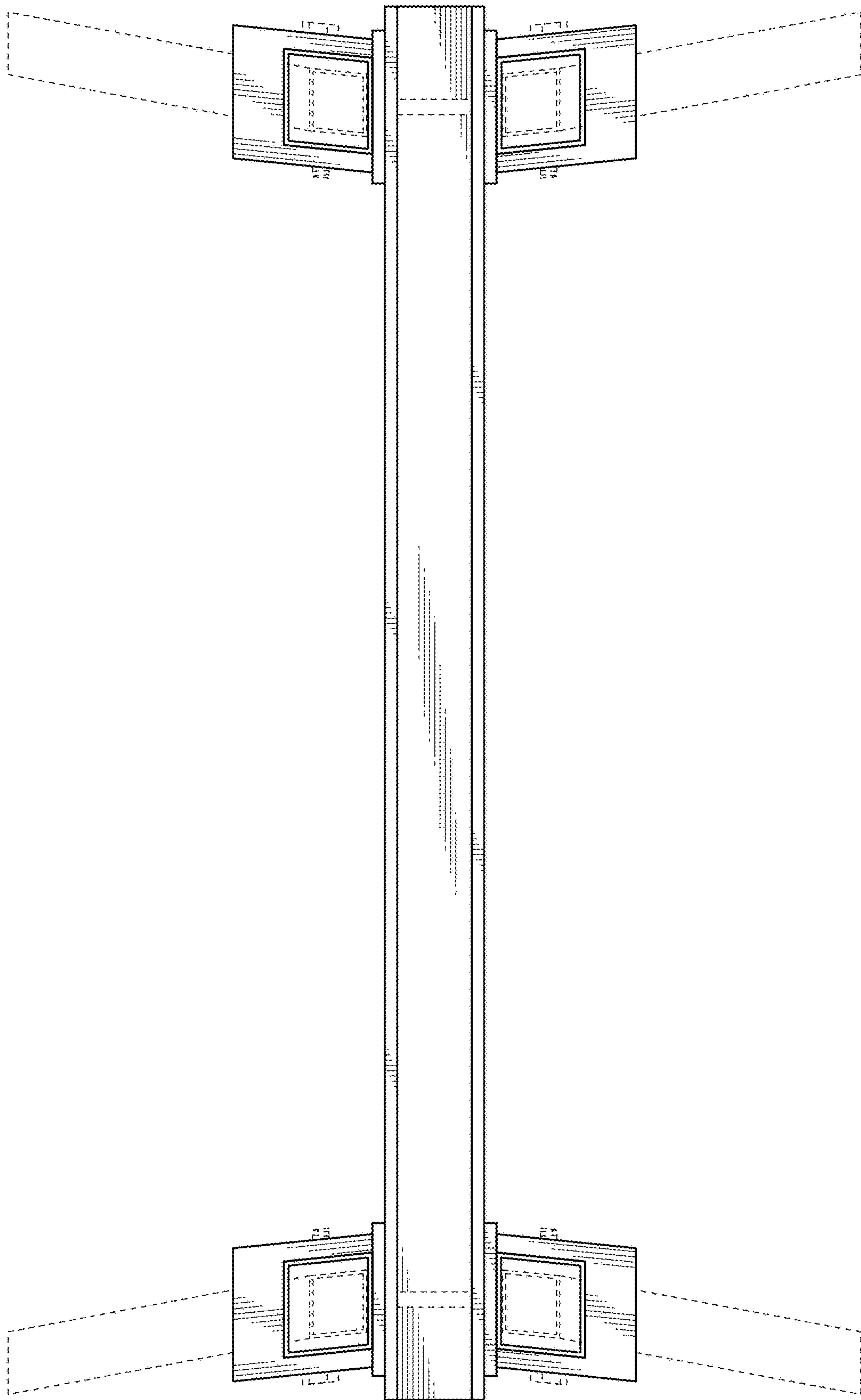


FIG. 5

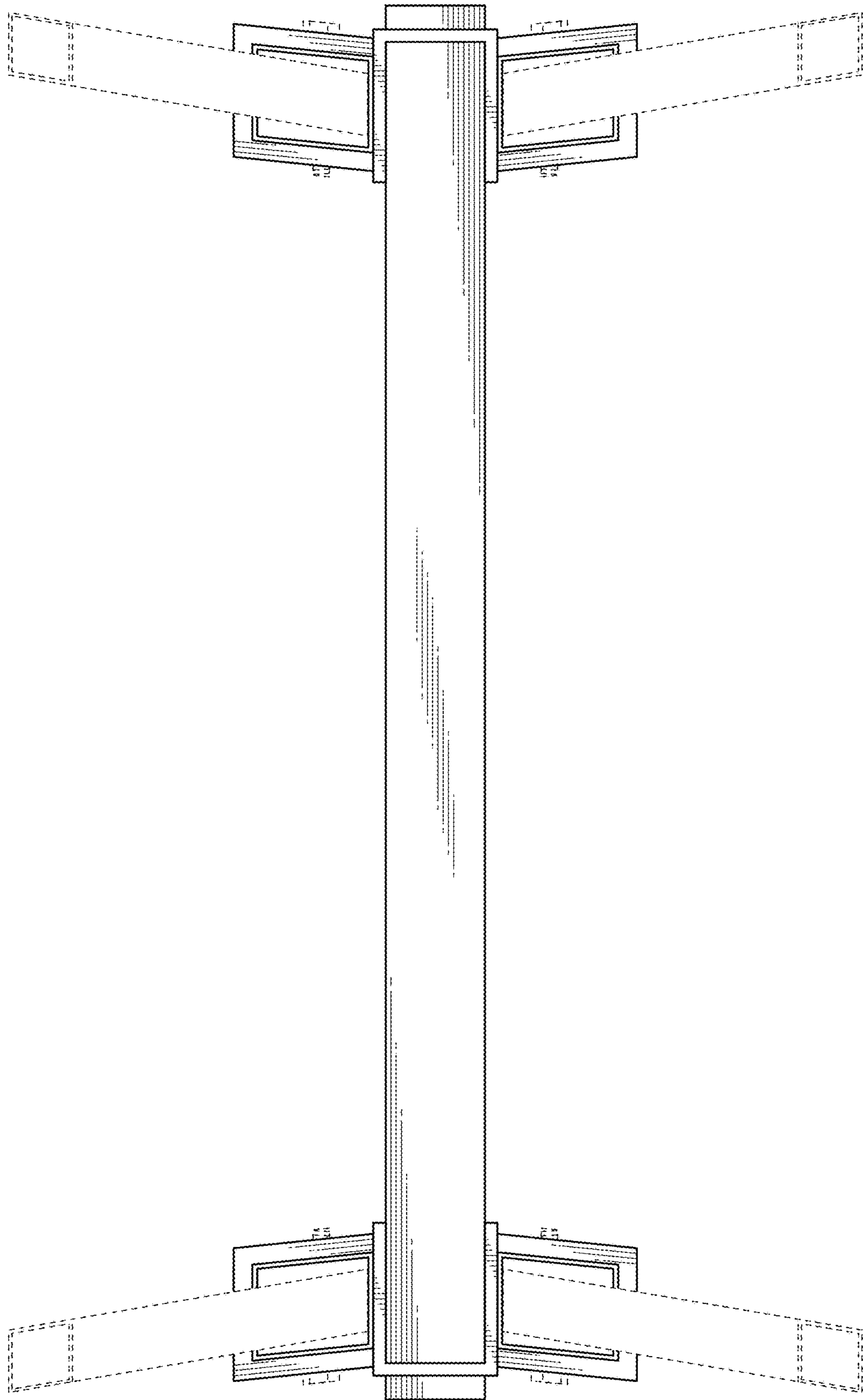


FIG. 6

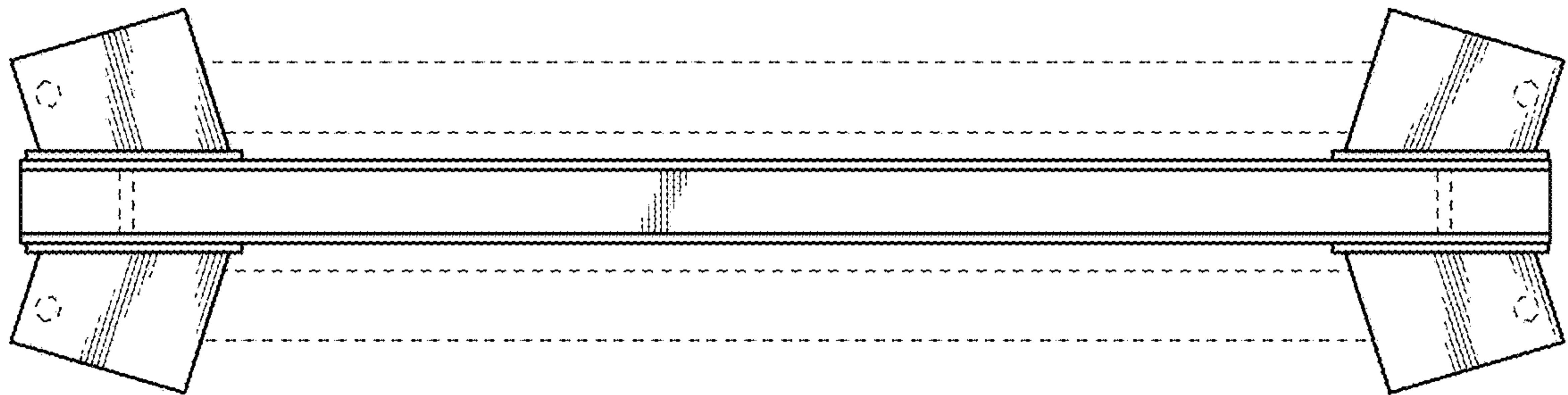


FIG. 7

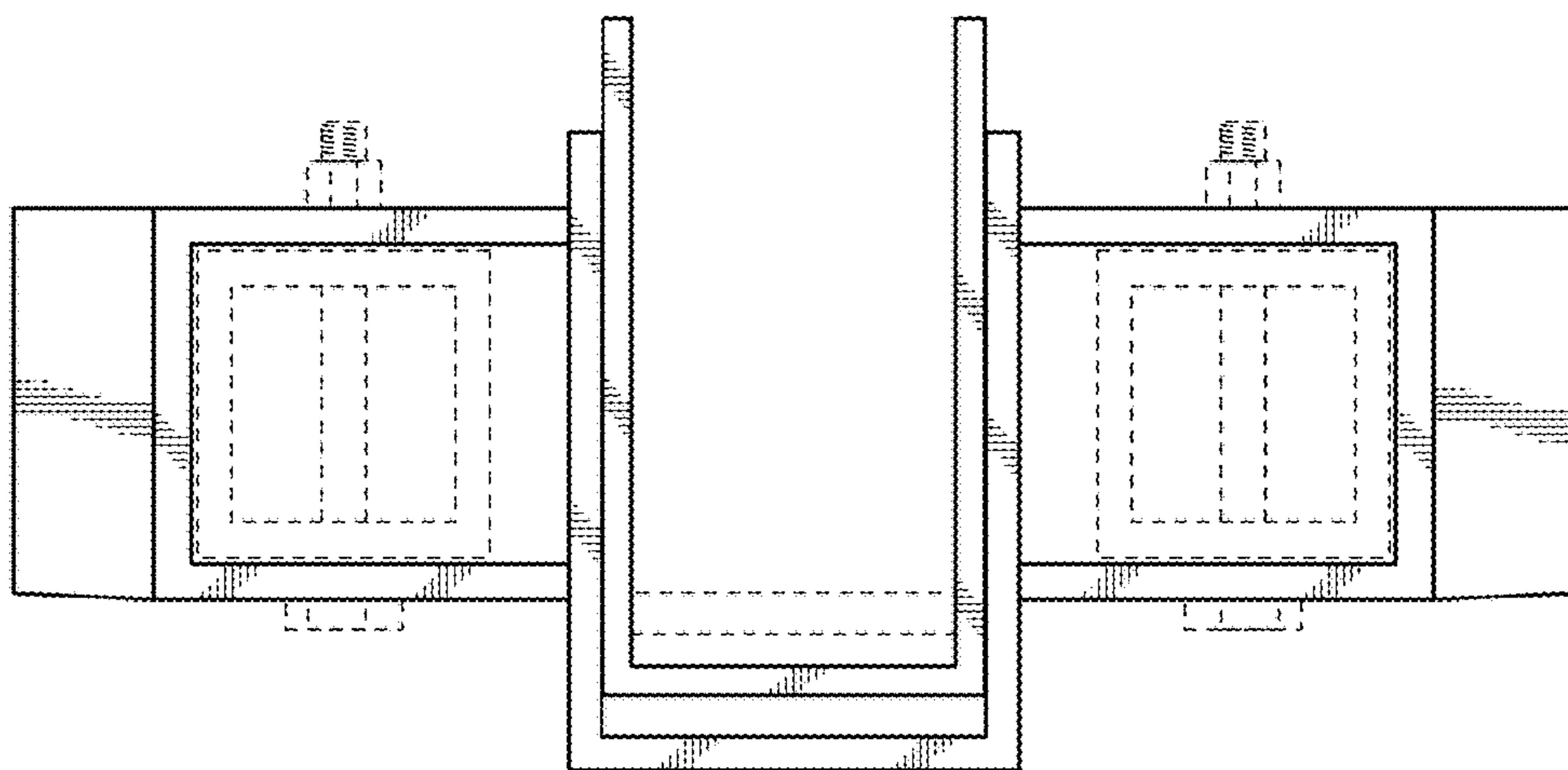


FIG. 8