

US00D805216S

(12) **United States Design Patent**
Davis

(10) **Patent No.:** **US D805,216 S**
(45) **Date of Patent:** **** Dec. 12, 2017**

(54) **FIREARM TRAINING BARRICADE ASSEMBLY**

(71) Applicant: **Austin K. Davis**, Houston, TX (US)

(72) Inventor: **Austin K. Davis**, Houston, TX (US)

(**) Term: **15 Years**

(21) Appl. No.: **29/551,035**

(22) Filed: **Jan. 8, 2016**

(51) **LOC (10) Cl.** **25-02**

(52) **U.S. Cl.**
USPC **D25/58**

(58) **Field of Classification Search**
USPC D22/108, 112, 199; D25/58; 5/2.1, 9.1,
5/110, 111, 429; 124/56; 160/135, 351;
434/19, 365
CPC A62B 3/00; A41H 5/24; F41G 3/26; E04H
15/001; A01M 31/025; G09B 9/00
See application file for complete search history.

(56) **References Cited**

U.S. PATENT DOCUMENTS

- 2,823,744 A * 2/1958 Garris A62B 3/00
160/135
- 3,913,598 A * 10/1975 Glutting, Jr. E04H 1/1205
135/117
- 4,241,777 A 12/1980 Wenger
- D302,311 S * 7/1989 Buck D25/48.3
- 5,069,011 A 12/1991 Jenne
- 5,599,187 A * 2/1997 Mesiano F41B 11/00
124/56
- 6,095,226 A * 8/2000 Chen A47G 5/00
160/135
- 6,112,445 A * 9/2000 Feeney G09F 15/0087
160/135
- 6,161,320 A * 12/2000 Peterson G09F 15/0062
160/135
- D520,146 S * 5/2006 Brown D25/58
- D672,474 S * 12/2012 White D25/58
- 8,365,798 B2 2/2013 Feldpausch

- 8,726,780 B2 * 5/2014 White F41H 5/08
89/36.04
 - 8,764,456 B2 * 7/2014 Cincotti G09B 9/00
434/365
 - 9,222,759 B2 * 12/2015 White F41H 5/08
- (Continued)

FOREIGN PATENT DOCUMENTS

- EM 000083761-000 1 * 2/2004
- JP D1424932 * 10/2011

OTHER PUBLICATIONS

<http://www.firearmstalk.com/Practice-from-the-Barricade.html>
Posted Jan. 31, 2012.*

Primary Examiner — Susan Bennett Hattan
Assistant Examiner — Leanne Was-Englehart
(74) *Attorney, Agent, or Firm* — QuickPatents, LLC;
Kevin Prince

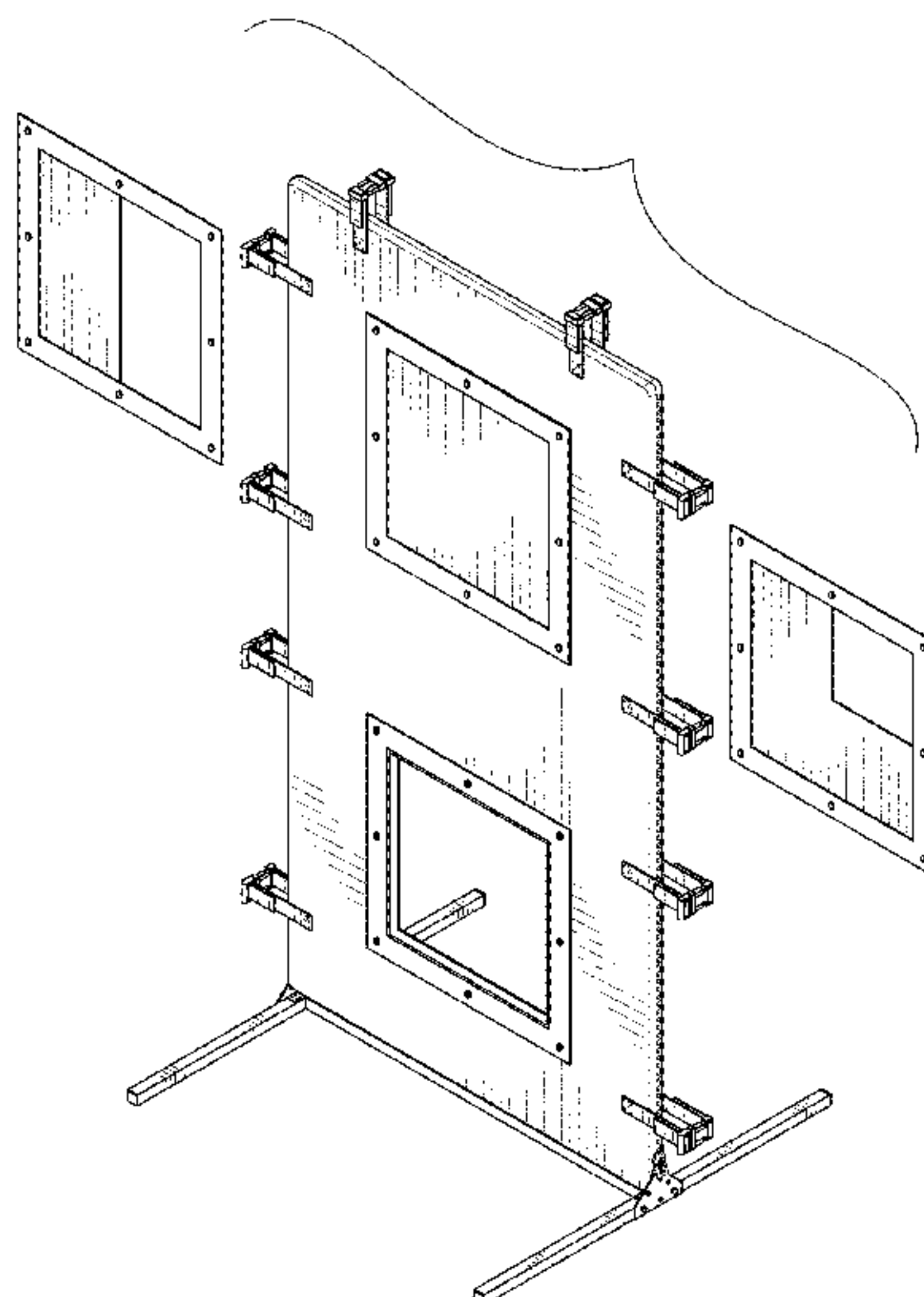
(57) **CLAIM**

I claim the ornamental design for a firearm training barricade assembly, as shown and described.

DESCRIPTION

FIG. 1 is an exploded perspective view of a firearm training barricade assembly, showing my new design with a cover and a window covering fitted to an assembled frame, and two additional window coverings exploded away from the cover and frame;
FIG. 2 is an exploded perspective view thereof;
FIG. 3 is an exploded front elevational view thereof, the frame further shown in a disassembled state;
FIG. 4 is an exploded rear elevational view thereof;
FIG. 5 is an exploded right-side elevational view thereof;
FIG. 6 is an exploded left-side elevational view thereof;
FIG. 7 is an exploded top plan view thereof; and,
FIG. 8 is an exploded bottom plan view thereof.

1 Claim, 8 Drawing Sheets



(56)

References Cited

U.S. PATENT DOCUMENTS

9,318,028	B1 *	4/2016	Ingesson	G09B 9/00
9,453,711	B2 *	9/2016	Martin	F41J 1/01
2007/0193612	A1 *	8/2007	Slaughter	E04H 15/001 135/117
2009/0208914	A1 *	8/2009	Phillips	G09B 9/00 434/219
2010/0043629	A1 *	2/2010	Carberry	E04H 9/10 89/36.02
2012/0244512	A1 *	9/2012	Norris	G09B 19/003 434/387
2014/0208993	A1 *	7/2014	Spransy	E05G 5/003 109/50
2015/0354926	A1 *	12/2015	Gibson	F41H 5/24 89/36.04

* cited by examiner

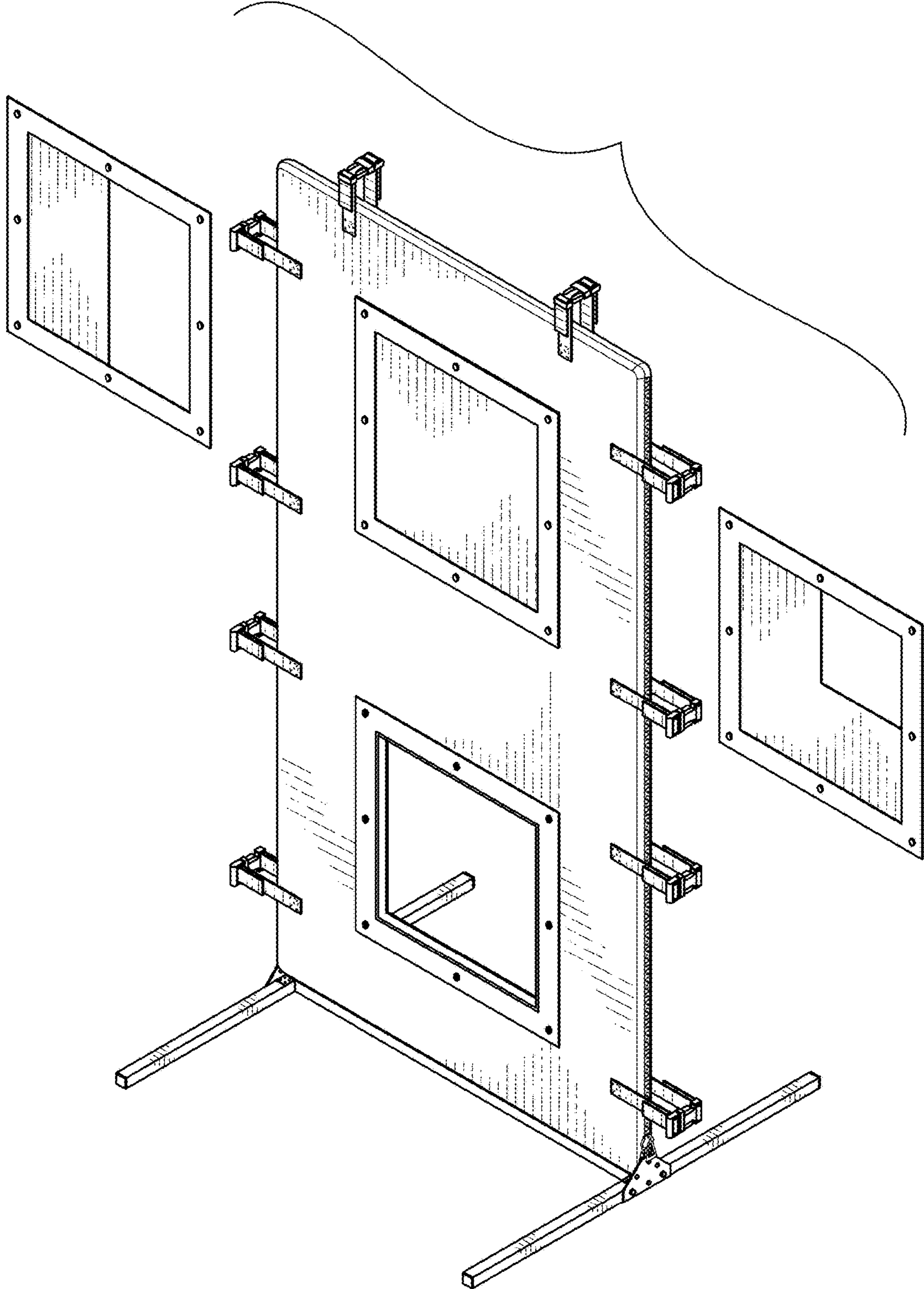


FIG. 1

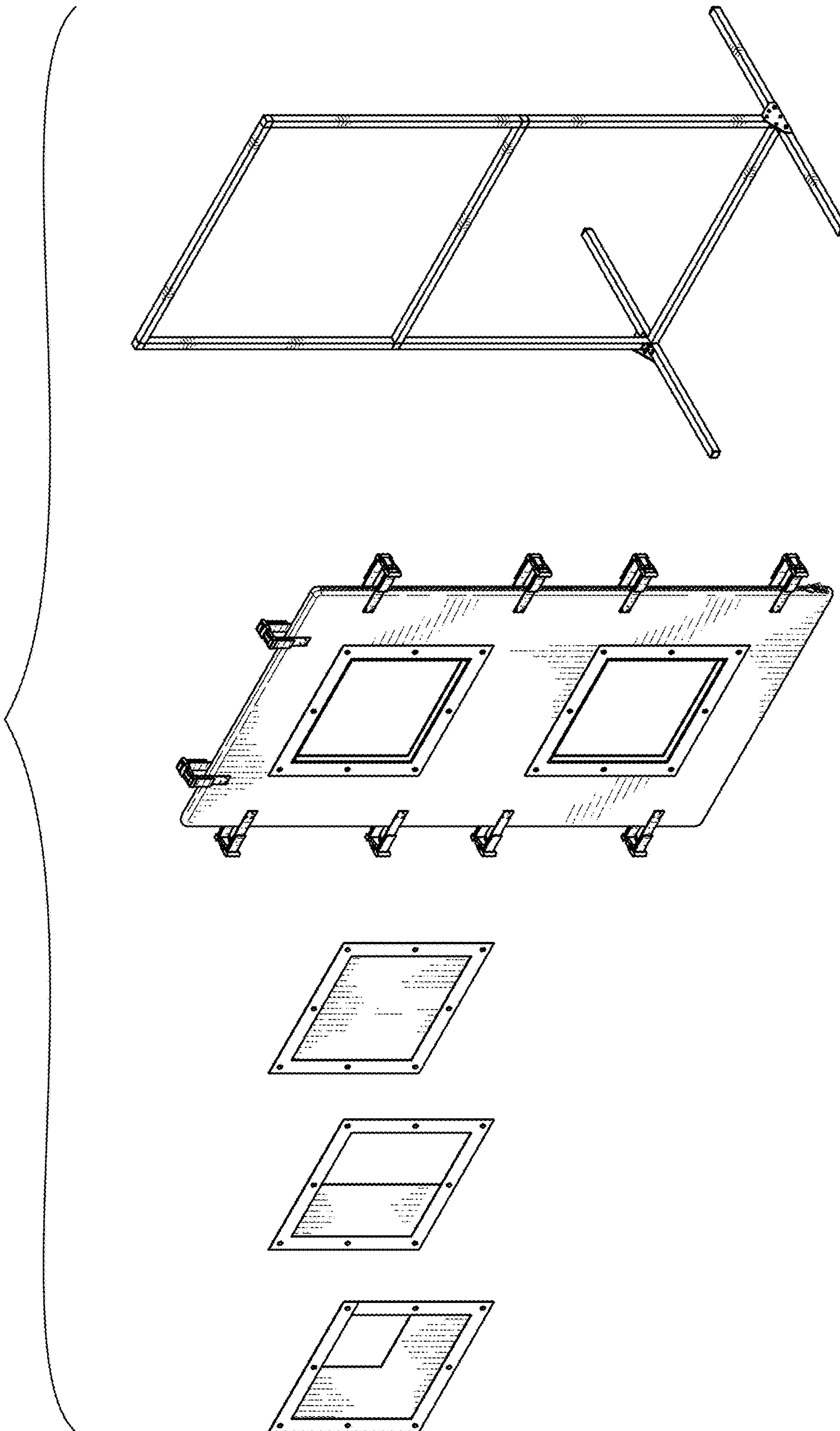


FIG. 2

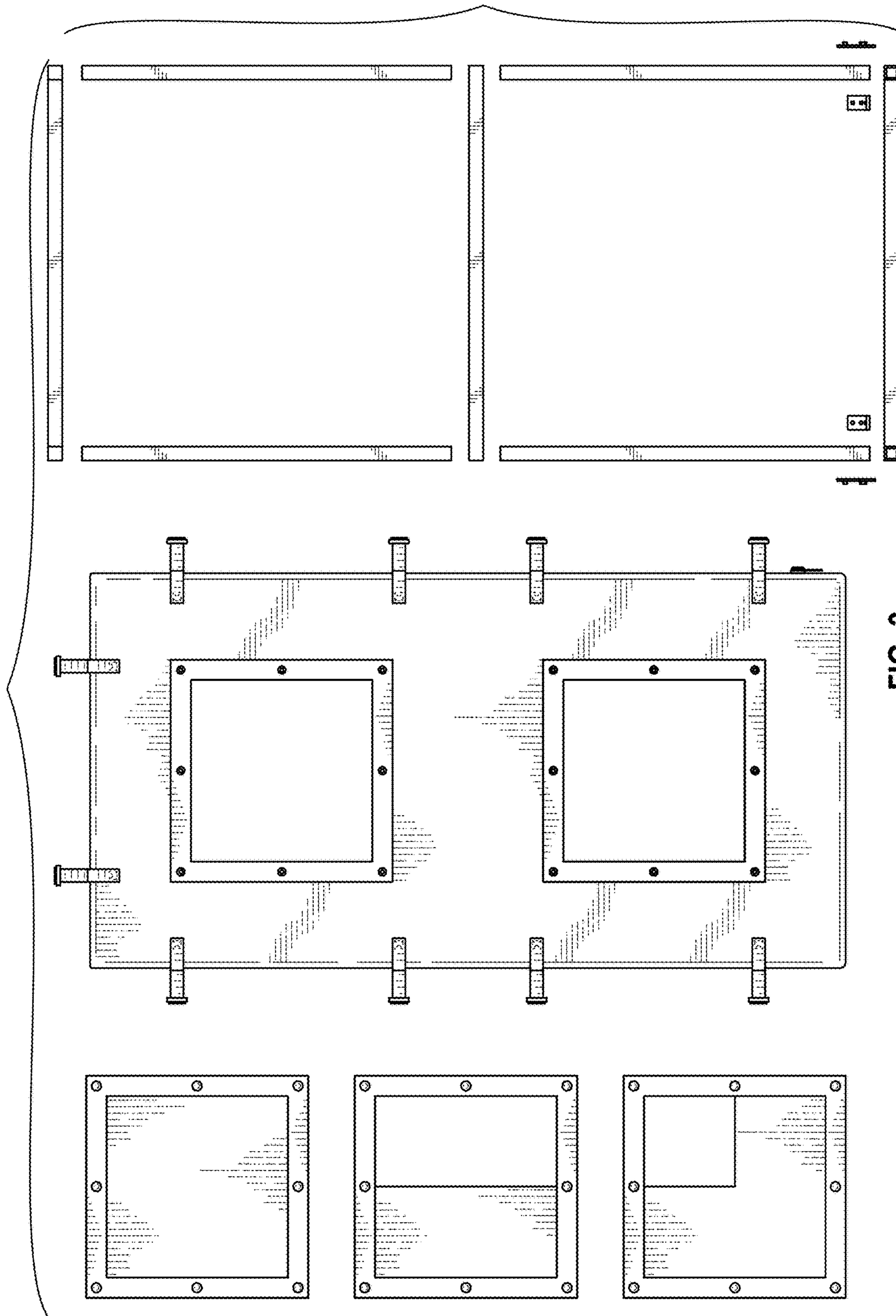


FIG. 3

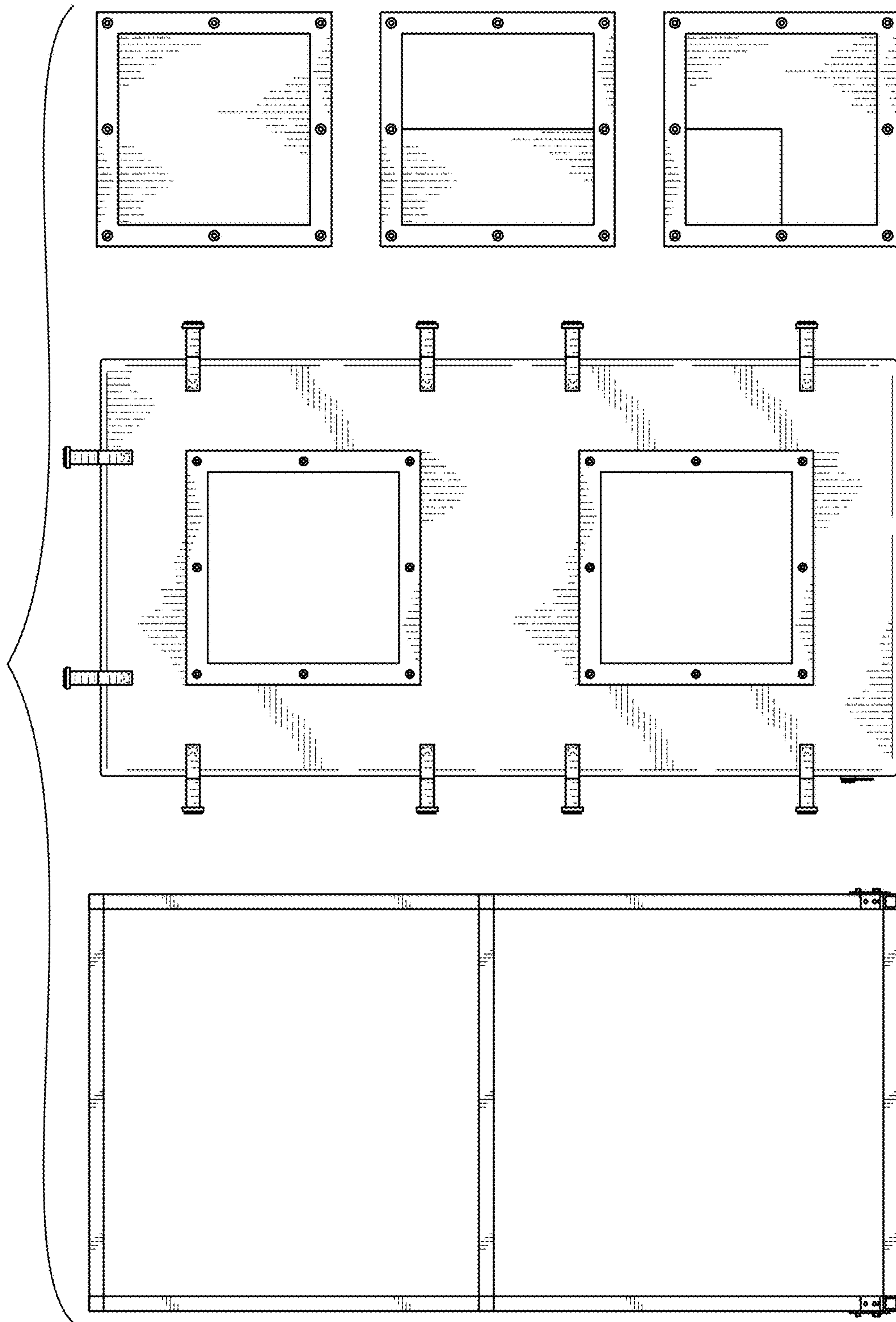


FIG. 4

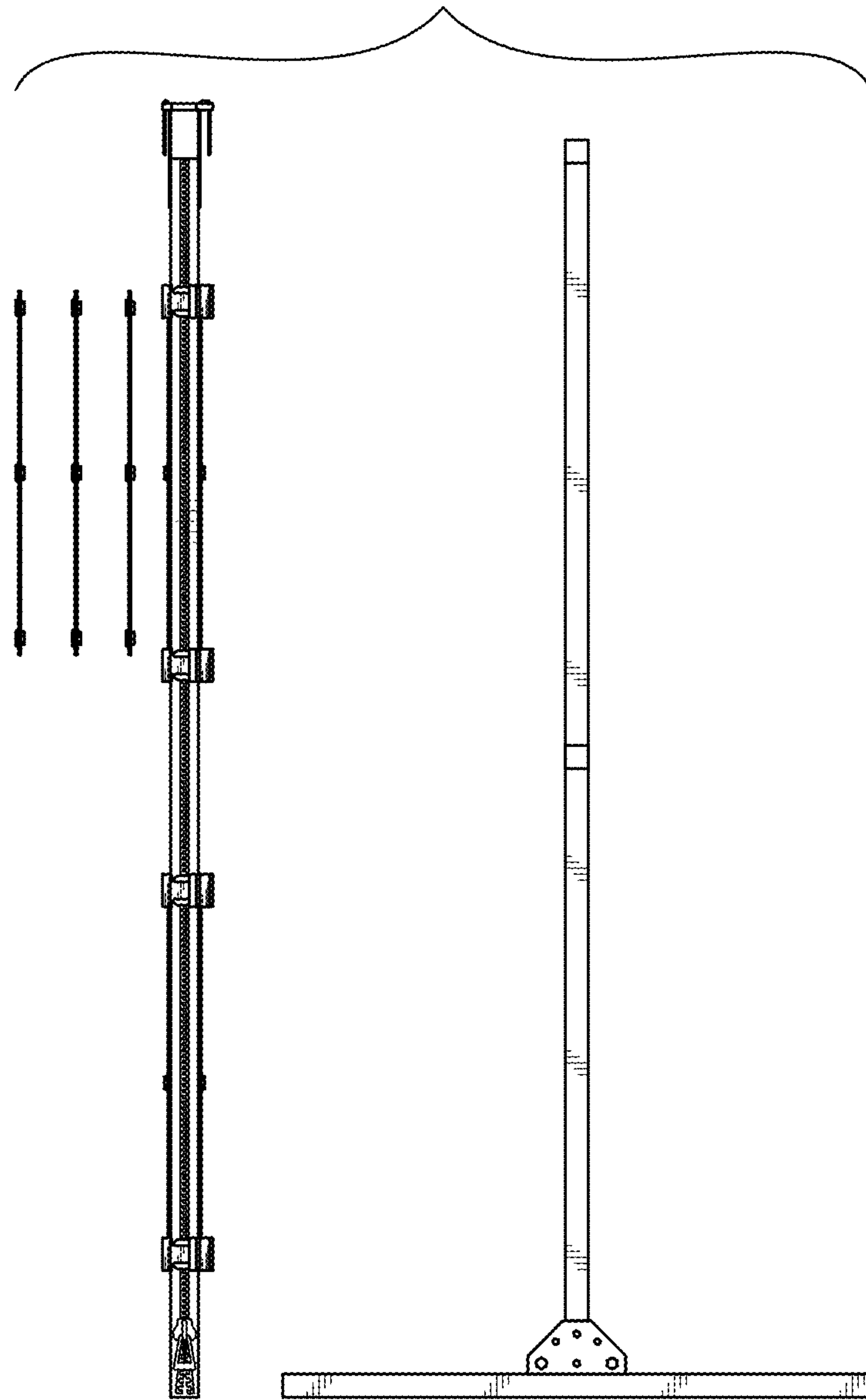


FIG. 5

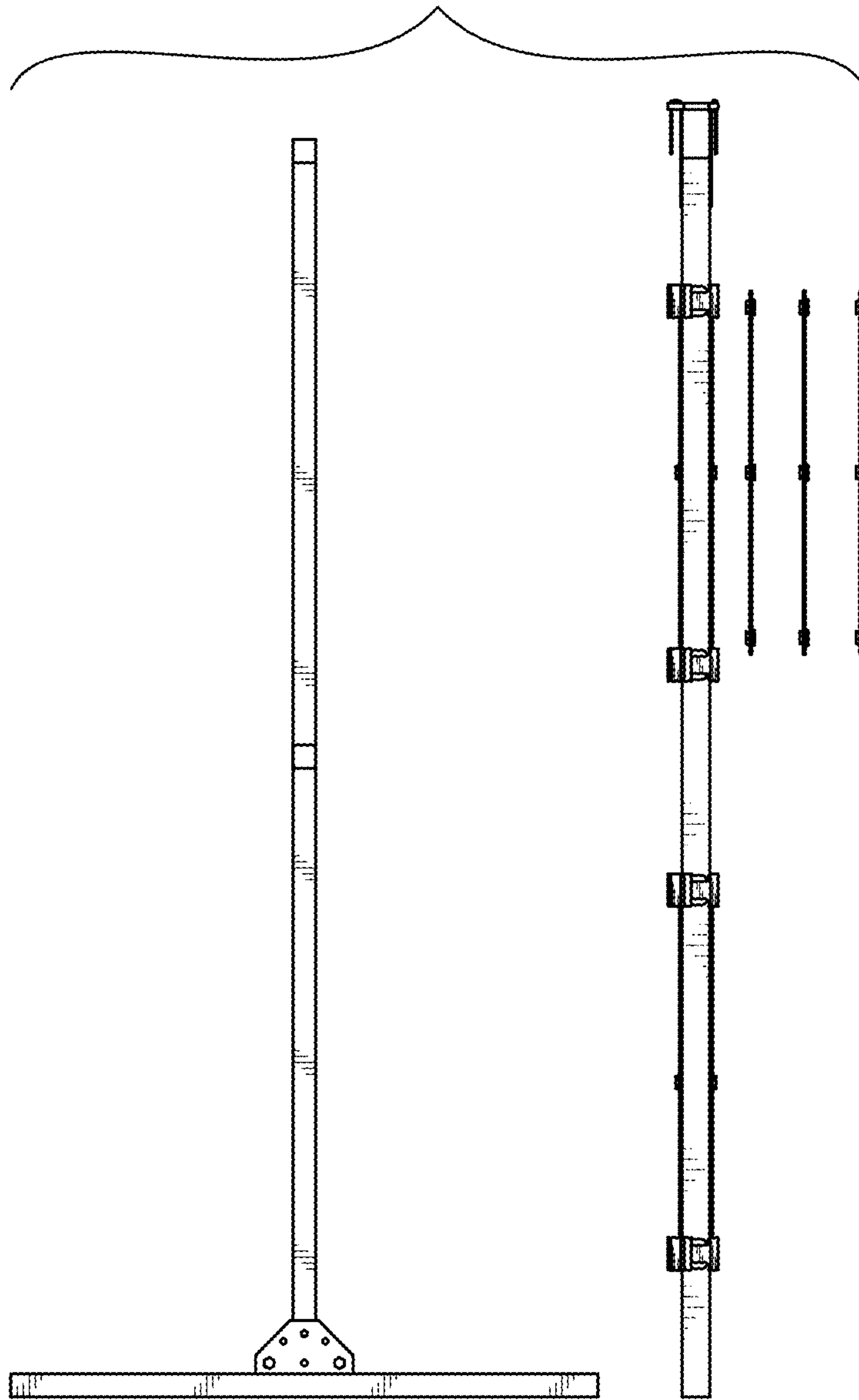


FIG. 6

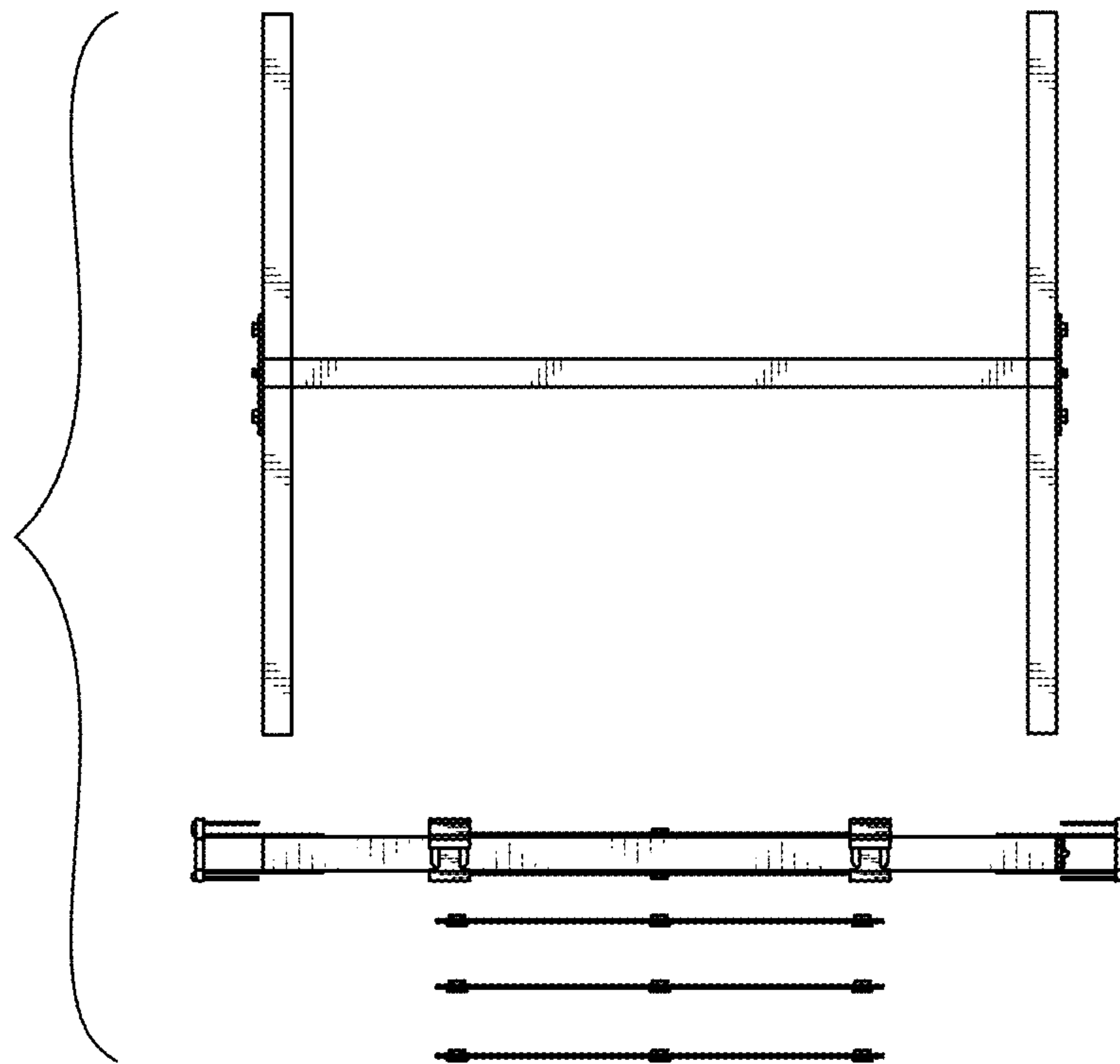


FIG. 7

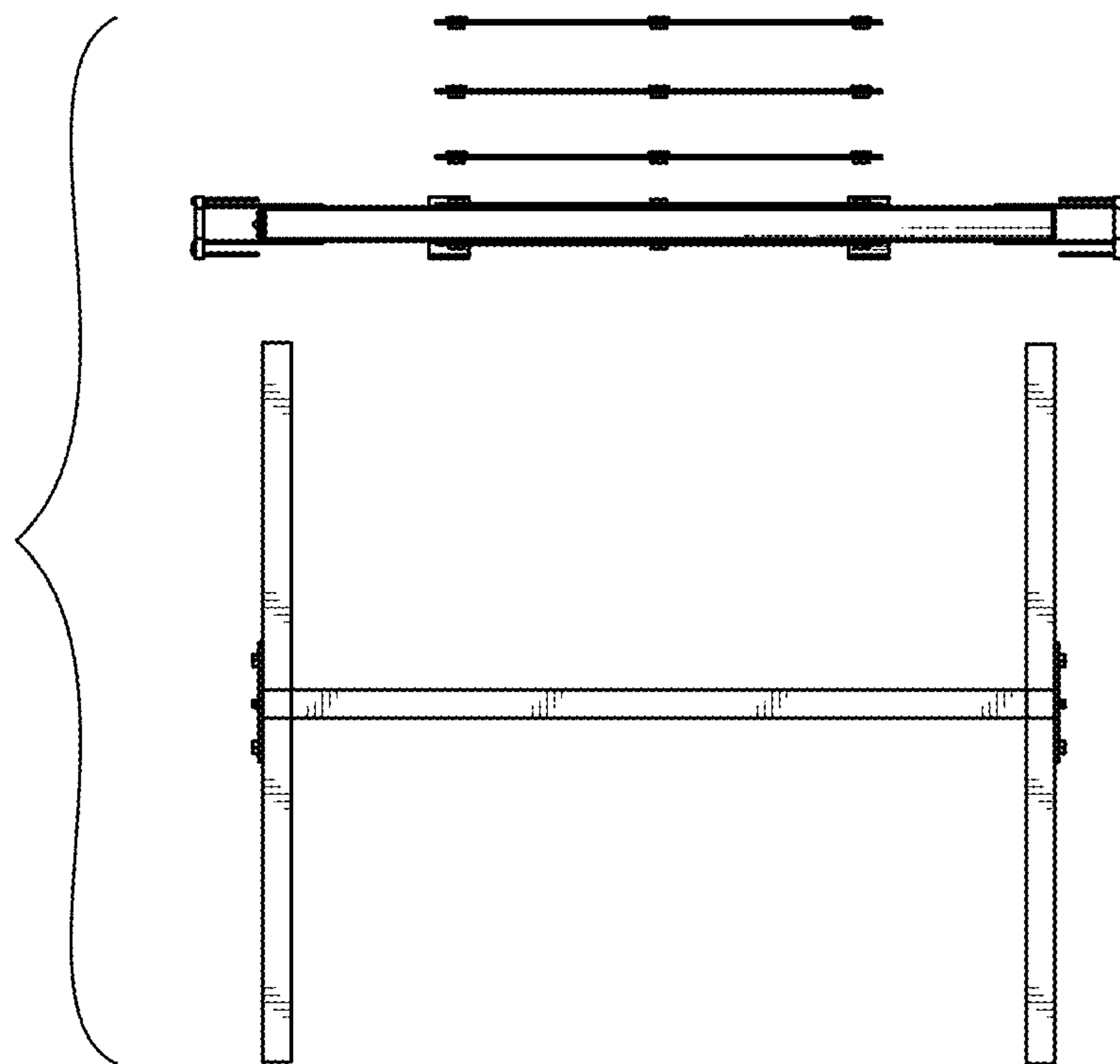


FIG. 8