



US00D805215S

(12) **United States Design Patent** (10) **Patent No.:** **US D805,215 S**
Fowler (45) **Date of Patent:** **** Dec. 12, 2017**

(54) **WINDOW WATER DIVERTER** 8,650,810 B1 * 2/2014 Dalton E04D 13/064
 49/408
 (71) Applicant: **Randolph Judson Fowler,** 8,776,460 B2 7/2014 Carlson et al.
 Winston-Salem, NC (US) D714,969 S * 10/2014 Norwood D25/199
 D739,956 S * 9/2015 Rivera D25/47.1
 D748,826 S * 2/2016 Norwood D25/199
 (72) Inventor: **Randolph Judson Fowler,** 2005/0144856 A1 7/2005 Conlin
 Winston-Salem, NC (US) 2012/0017518 A1 1/2012 Bonshor

(**) Term: **15 Years**

(21) Appl. No.: **29/620,149**

(22) Filed: **Jul. 21, 2016**

(51) **LOC (10) Cl.** **25-02**

(52) **U.S. Cl.**
 USPC **D25/48.2**

(58) **Field of Classification Search**
 USPC D25/47.1, 48.2, 48.3, 55, 60, 119, 136,
 D25/164
 CPC . E04D 13/064; E04D 2013/0486; E06B 1/34;
 E06B 1/66; E06B 1/68; E06B 1/70; E06B
 7/14

See application file for complete search history.

(56) **References Cited**

U.S. PATENT DOCUMENTS

D29,796 S * 12/1898 Lane D25/119
 D47,723 S * 8/1915 Heulings D25/119
 1,954,730 A 4/1934 Erickson
 4,691,487 A 9/1987 Kessler
 D397,810 S * 9/1998 Basset D25/199
 6,276,099 B1 8/2001 O'Shea
 6,976,338 B2 12/2005 Olk et al.

* cited by examiner

Primary Examiner — Susan Bennett Hattan
Assistant Examiner — Leanne Was-Englehart
 (74) *Attorney, Agent, or Firm* — Suzanne Kikel, Patent
 Agent

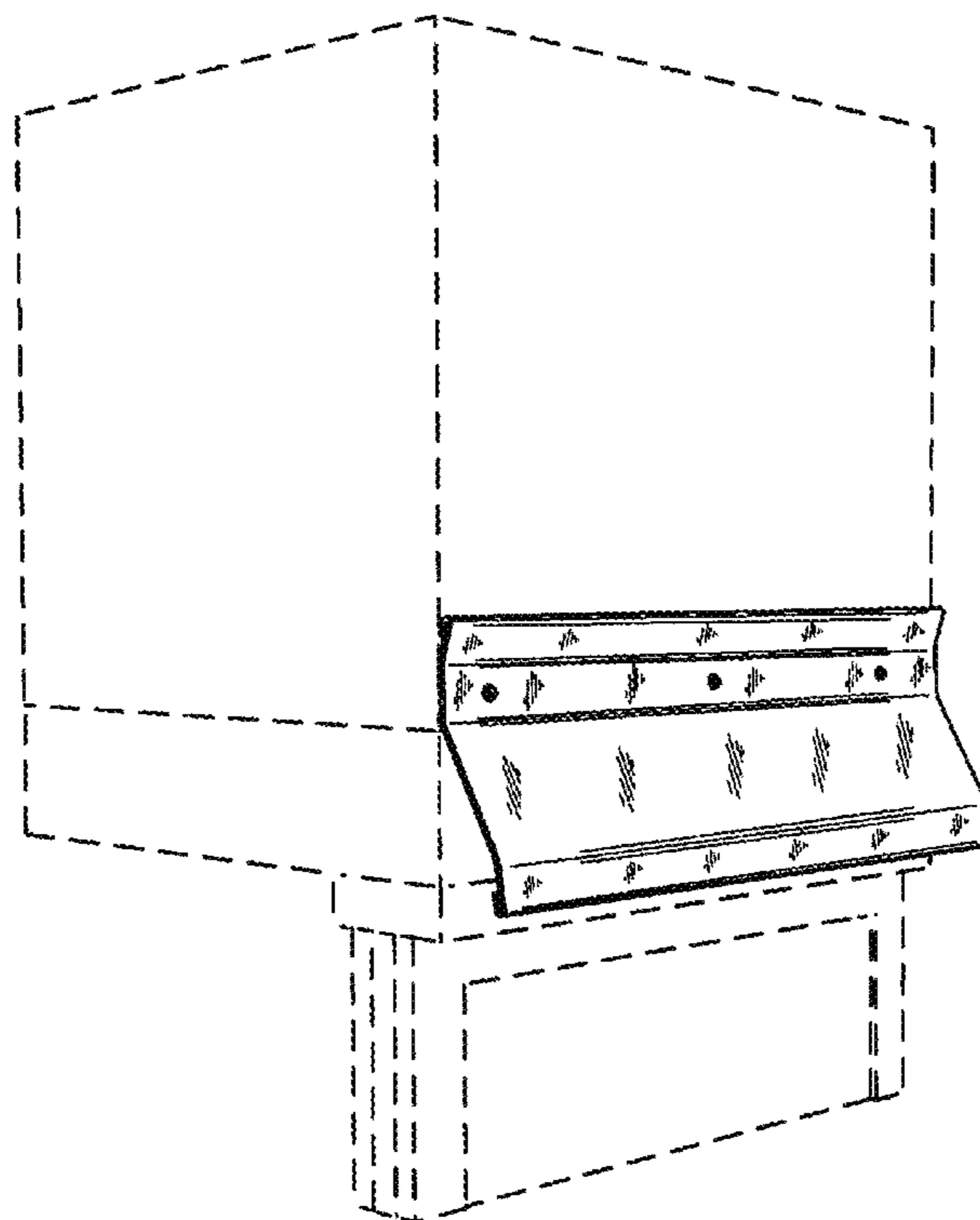
(57) **CLAIM**

The ornamental design for a window water diverter, as shown and described.

DESCRIPTION

FIG. 1 is a perspective view of a window water diverter in an operative position, showing my new design.
 FIG. 2 is an enlarged front elevational view of a window water diverter of FIG. 1.
 FIG. 3 is a rear elevational view thereof.
 FIG. 4 is a left side elevational thereof.
 FIG. 5 is a right side elevational view thereof.
 FIG. 6 is a top view thereof; and,
 FIG. 7 is a bottom view thereof.
 The broken lines showing in FIG. 1 are included for the purpose of illustrating environment and form no part of the claimed design.

1 Claim, 5 Drawing Sheets



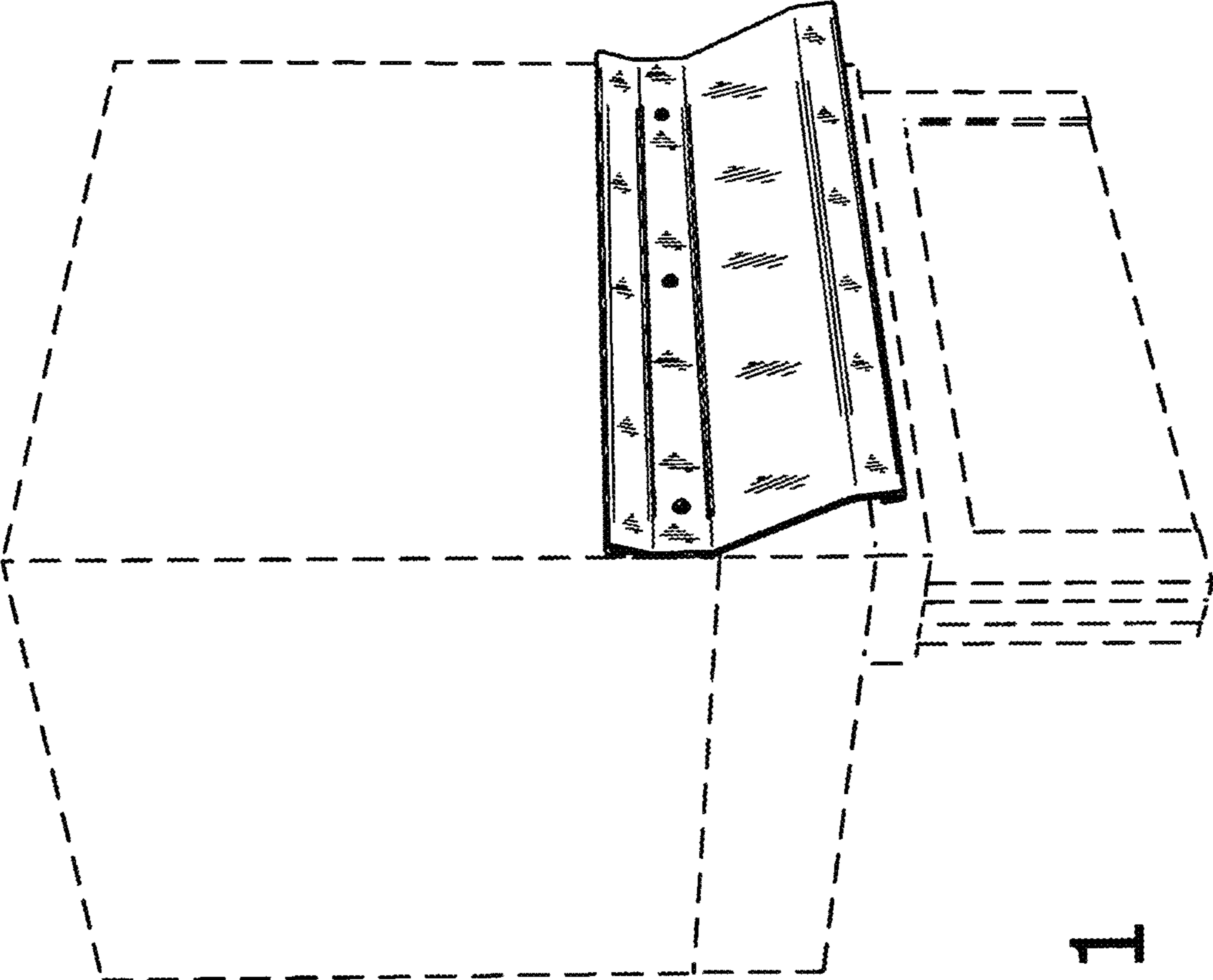


FIG. 1

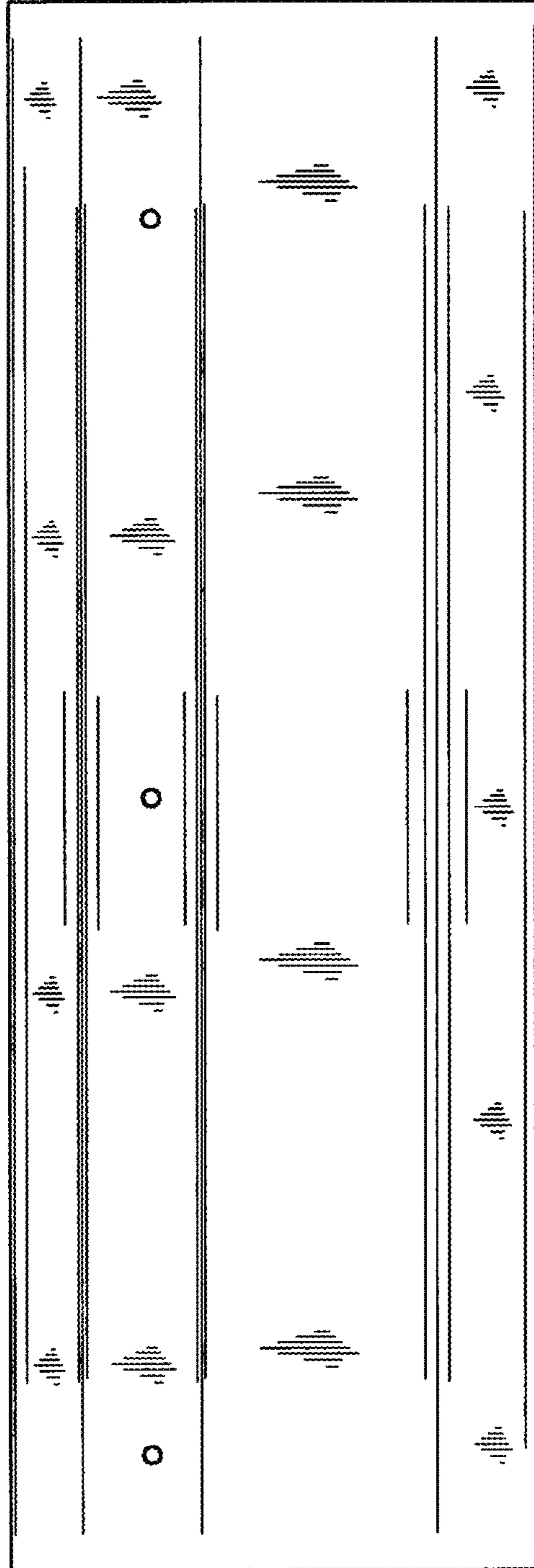


FIG. 2

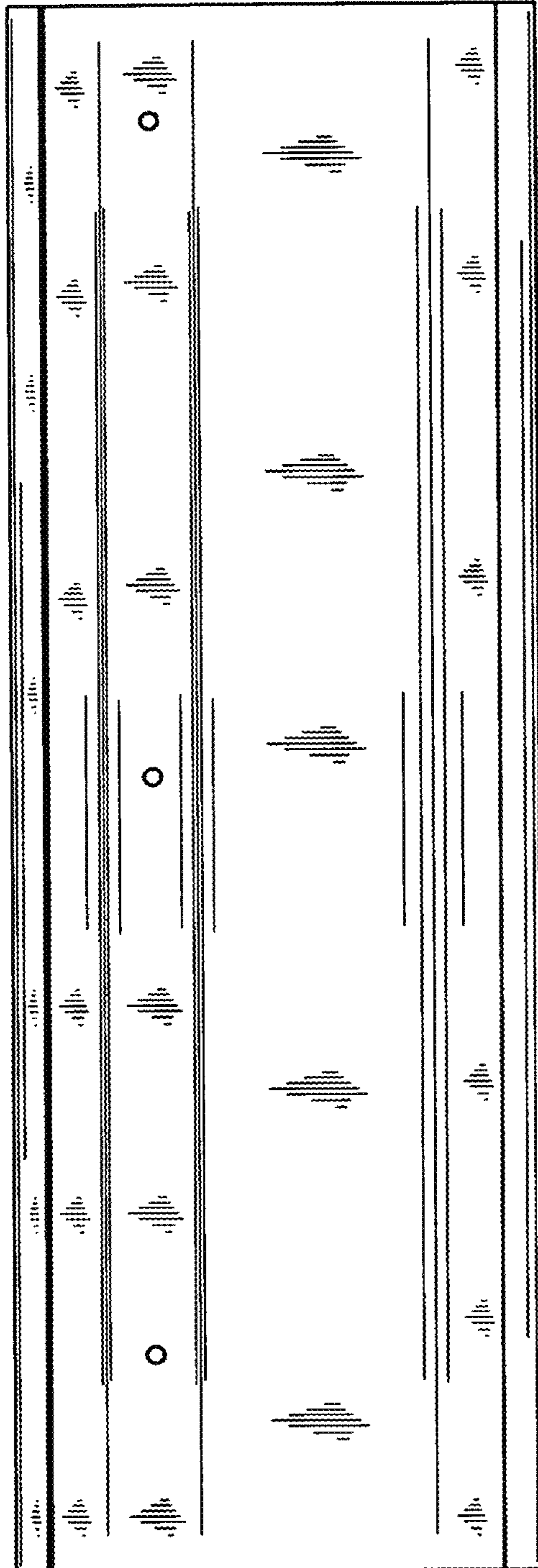


FIG. 3



FIG. 5

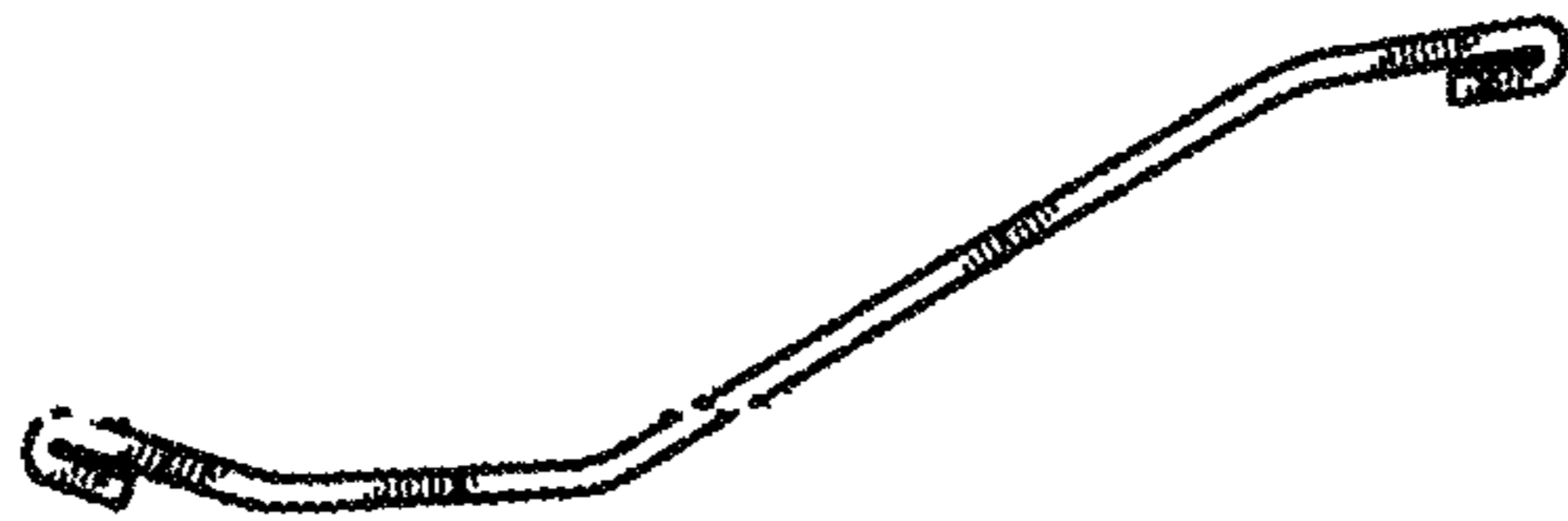


FIG. 4

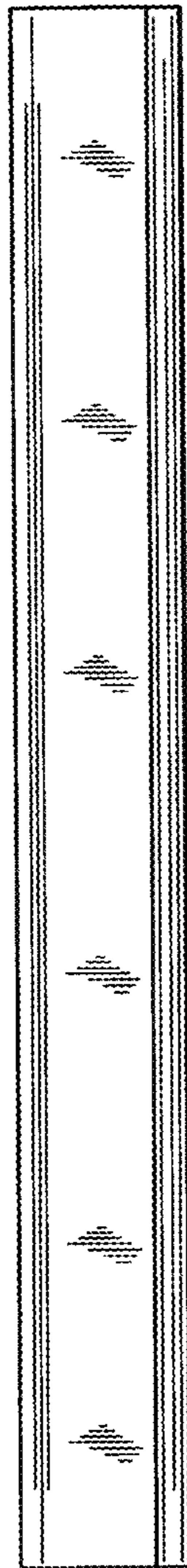


FIG. 6

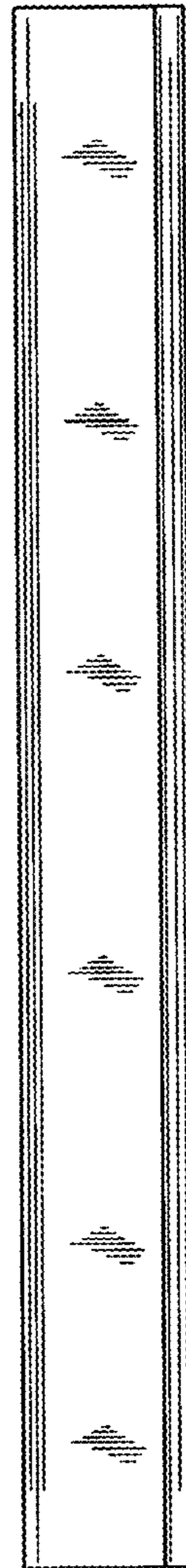


FIG. 7