



US00D805214S

(12) **United States Design Patent** (10) **Patent No.:** **US D805,214 S**
Bizzarri et al. (45) **Date of Patent:** **** Dec. 12, 2017**

- (54) **RAILING BOTTOM RAIL**
- (71) Applicant: **CPG International LLC**, Skokie, IL (US)
- (72) Inventors: **Paul Bizzarri**, Mason, OH (US); **Jason A. Davoll**, Chicago, IL (US); **Michael A. Gori**, Norton, OH (US); **Richard Arthur Pearson, II**, Campbell, MO (US); **Ronald Keith Turner**, Elmer, LA (US)
- (73) Assignee: **CPG International LLC**, Skokie, IL (US)
- (**) Term: **15 Years**
- (21) Appl. No.: **29/554,717**
- (22) Filed: **Feb. 15, 2016**
- (51) **LOC (10) Cl.** **25-02**
- (52) **U.S. Cl.**
USPC **D25/38.1**
- (58) **Field of Classification Search**
USPC D25/38.1, 41.1, 43, 44, 119, 120, 121, D25/122, 123, 124, 125, 126, 136, 164; 256/21, 59, 66, DIG. 6; 403/311
CPC F16B 7/0413; E04F 11/18; E04F 11/1851; E06B 3/62; E06B 3/5409
See application file for complete search history.

7,744,065	B2	6/2010	Terrels et al.	
8,282,083	B1	10/2012	Poma	
8,579,263	B2	11/2013	Petta	
D755,988	S *	5/2016	Walker	D25/119
D765,009	S *	8/2016	Conrad	D12/317
D771,276	S *	11/2016	Walker	D25/119
D782,697	S *	3/2017	Bizzarri	D25/121
D782,698	S *	3/2017	Bizzarri	D25/121

OTHER PUBLICATIONS

<https://timbertech.com/products/railing/impression-rail> Available Jun. 17, 2016.*

* cited by examiner

Primary Examiner — Susan Bennett Hattan
Assistant Examiner — Leanne Was-Englehart
(74) *Attorney, Agent, or Firm* — Buchanan Ingersoll & Rooney PC

(57) **CLAIM**

The ornamental design for a railing bottom rail, as shown and described.

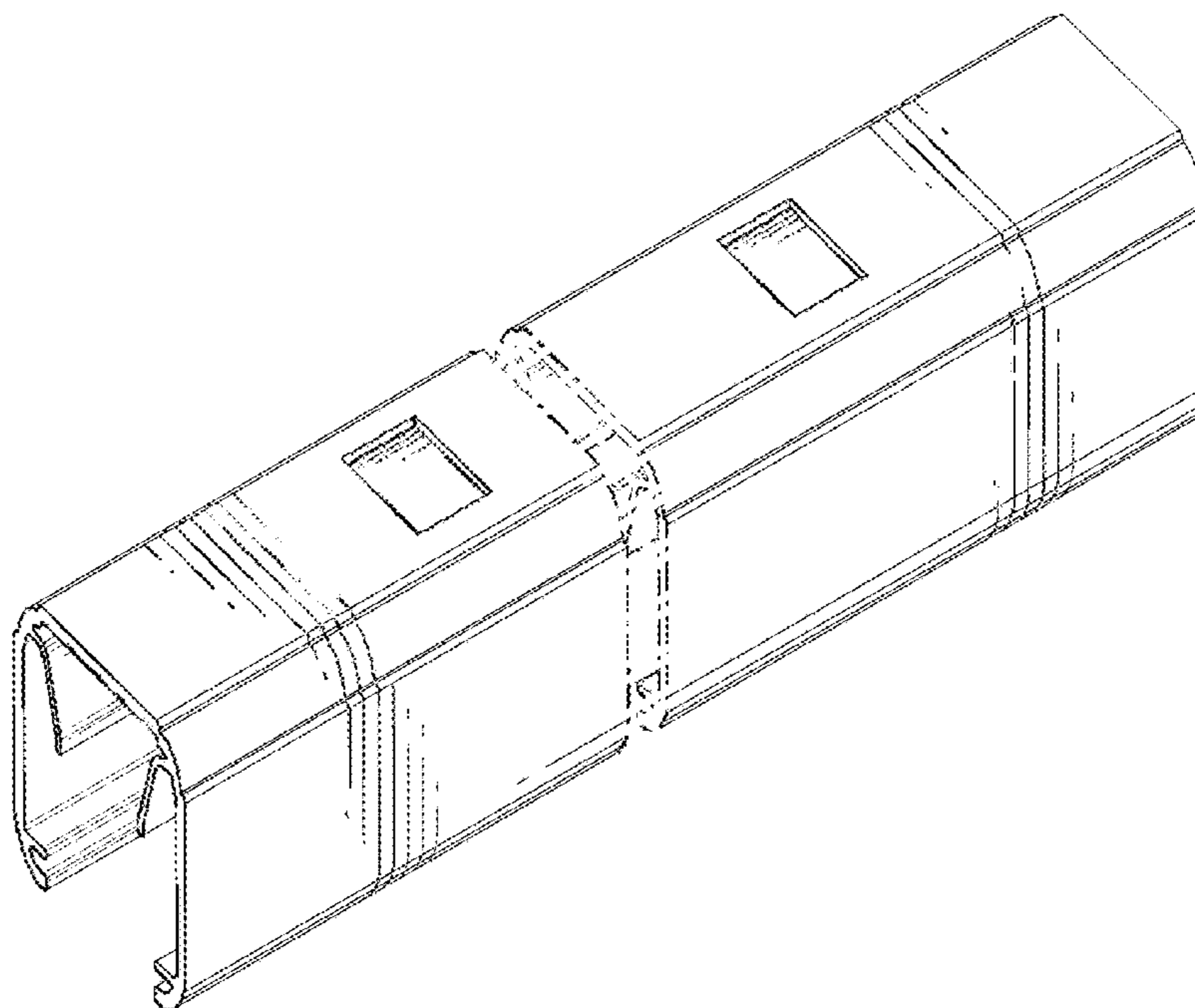
DESCRIPTION

FIG. 1 is a perspective view of our railing bottom rail; FIG. 2 is an end view thereof, FIG. 3 is a left side view thereof, the right side being a mirror image thereof; FIG. 4 is a top view thereof; and, FIG. 5 is a bottom view thereof. The break lines depict bounds of the Claim. The portion between the break lines forms no part of the claimed design.

(56) **References Cited**
U.S. PATENT DOCUMENTS

7,472,482	B2	1/2009	Pratt
7,731,160	B2	6/2010	Terrels et al.

1 Claim, 2 Drawing Sheets



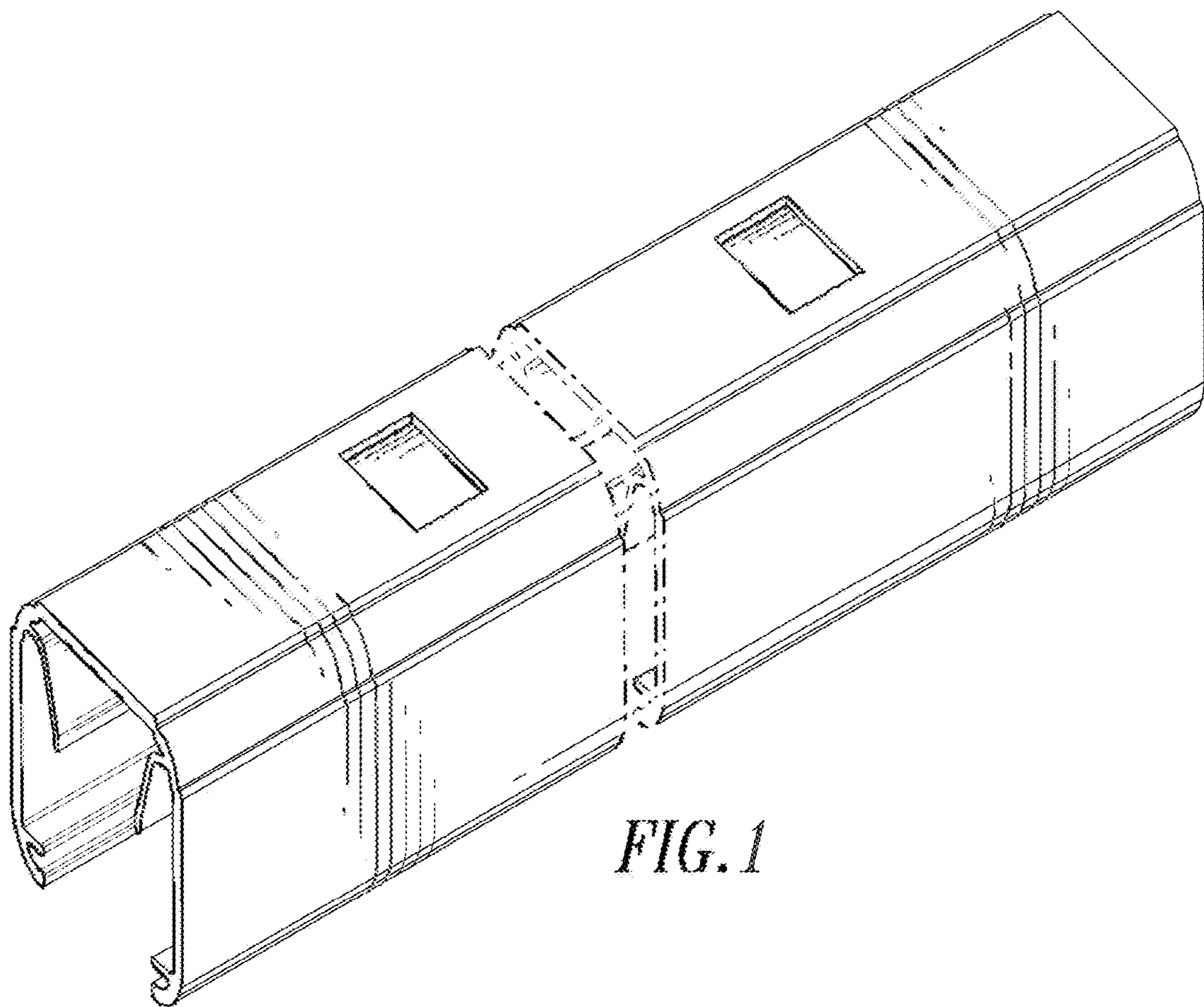


FIG. 1

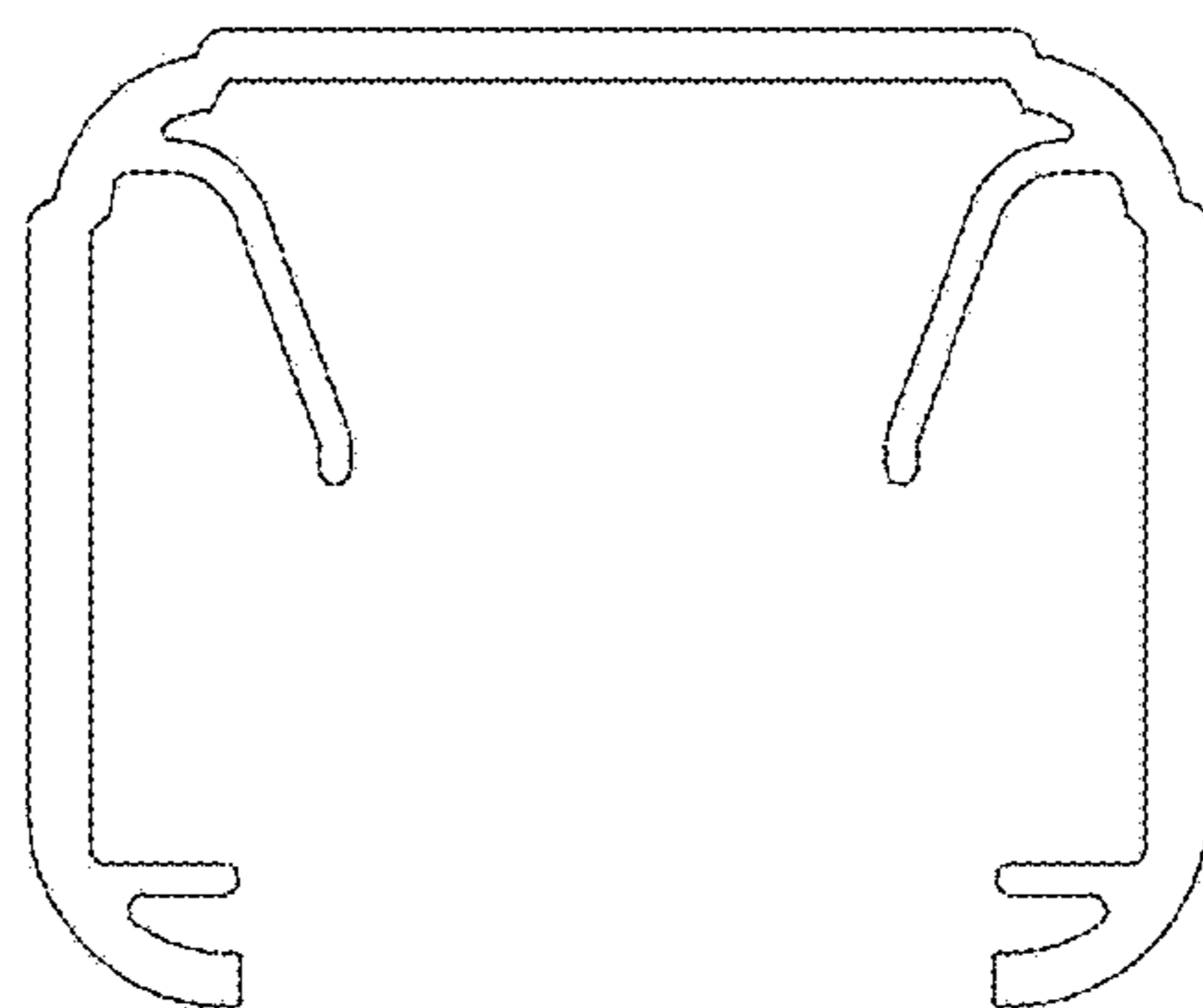


FIG. 2

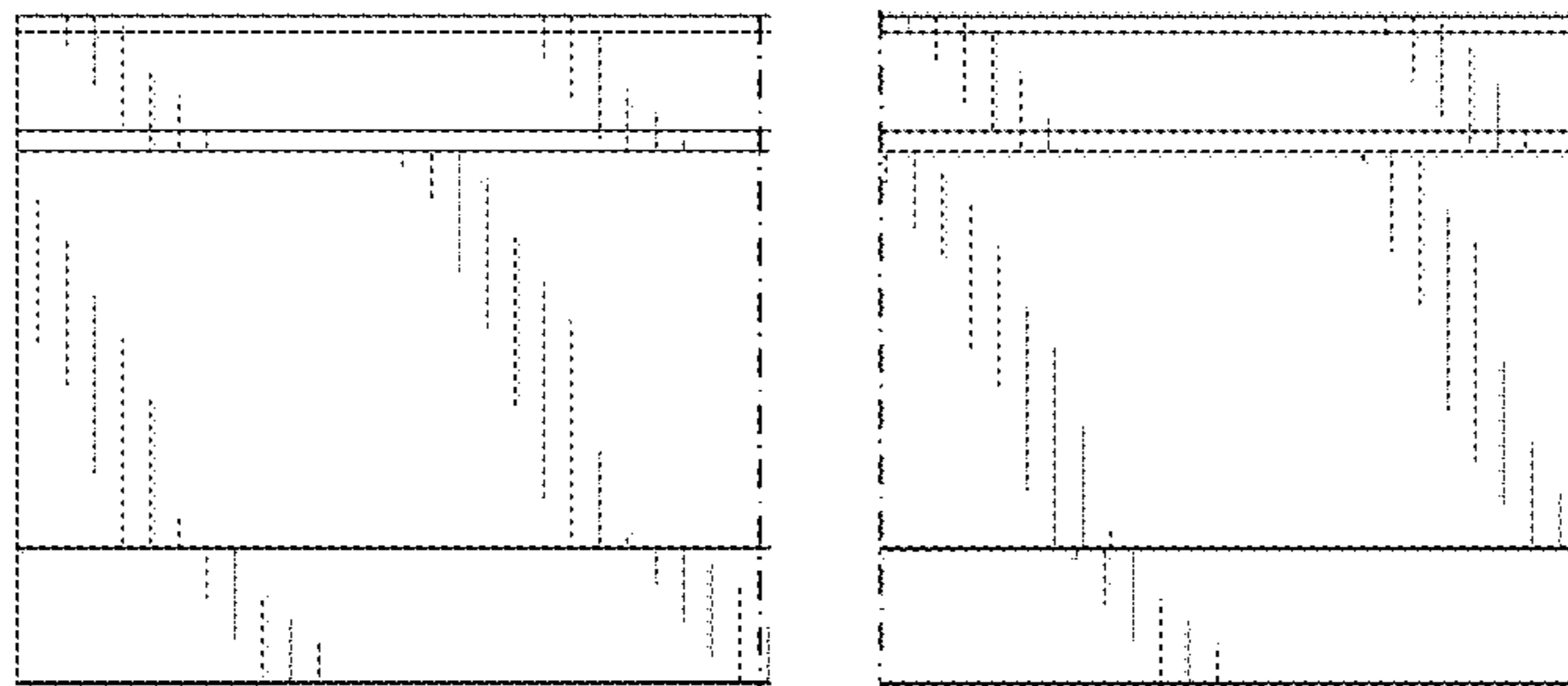


FIG. 3

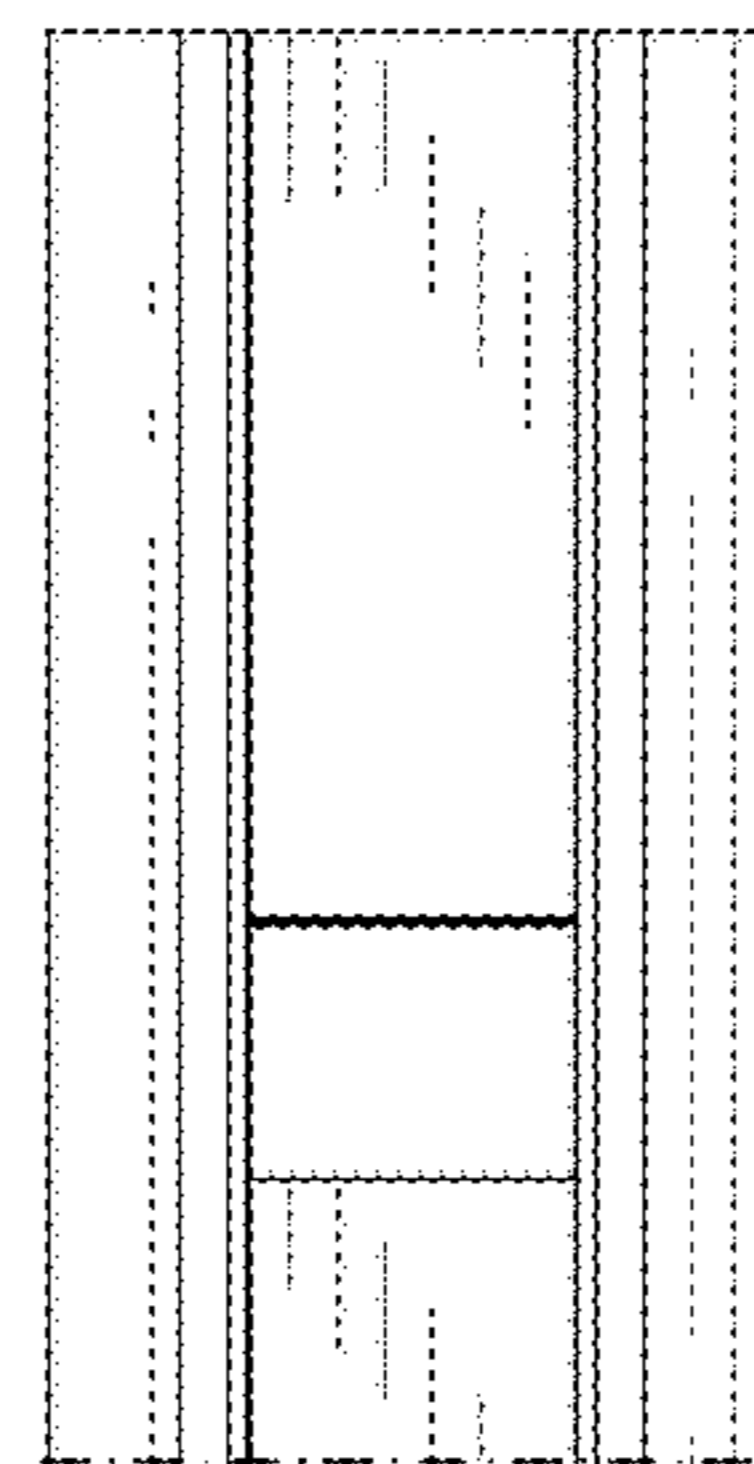
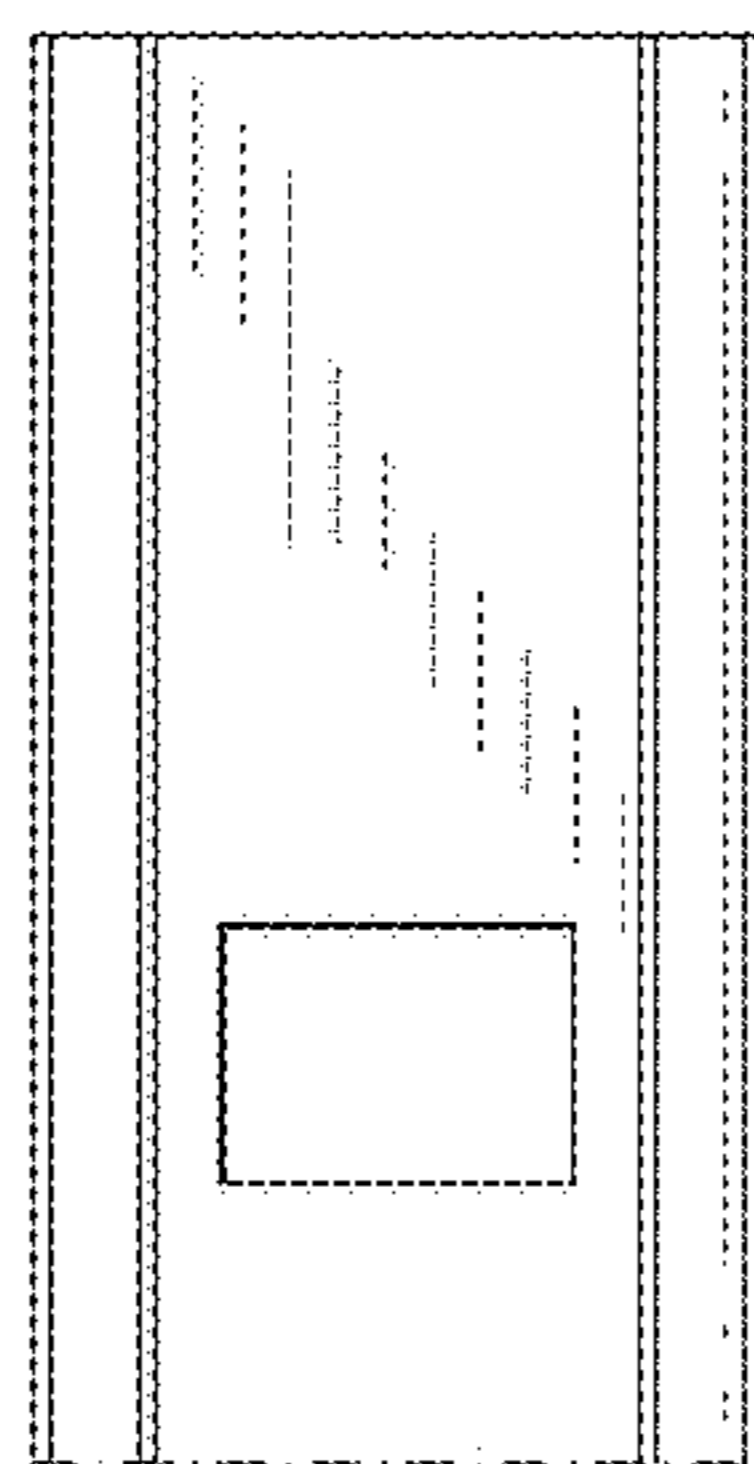


FIG. 4

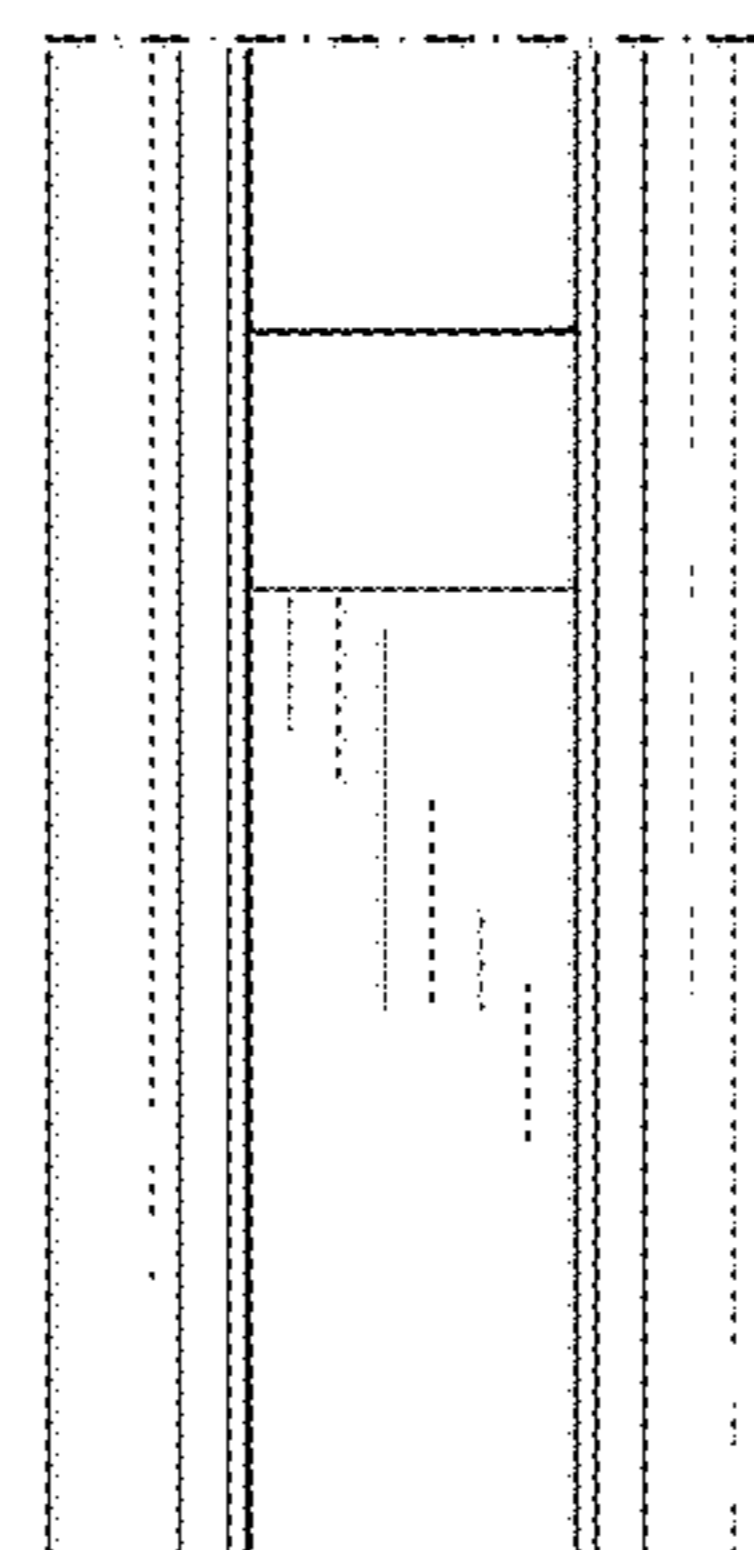


FIG. 5