



US00D805206S

(12) **United States Design Patent** (10) **Patent No.:** **US D805,206 S**
Hill (45) **Date of Patent:** **** Dec. 12, 2017**

(54) **ARM SUPPORT**

E04B 2/14; E04B 2/18; E04B 2/24; E04B 2/28; E04B 2/42; E04C 1/395

(71) Applicant: **Hailey Hill**, Macgregor (AU)

See application file for complete search history.

(72) Inventor: **Hailey Hill**, Macgregor (AU)

(56) **References Cited**

(**) Term: **15 Years**

U.S. PATENT DOCUMENTS

(21) Appl. No.: **29/530,090**

1,894,605 A * 1/1933 Wright A63H 33/04 446/122

(22) Filed: **Jun. 12, 2015**

2,157,992 A * 5/1939 Smith E04B 2/28 52/427

(30) **Foreign Application Priority Data**

D155,329 S * 9/1949 Bindman 52/609

Dec. 15, 2014 (AU) 201416519

D192,734 S * 5/1962 Terry D25/118

(51) **LOC (10) Cl.** **24-01**

3,060,542 A * 10/1962 Martin B28B 7/0061 264/256

(52) **U.S. Cl.**

D214,302 S * 6/1969 Barber 5/636

USPC **D24/184**

D219,443 S * 12/1970 Hubel D6/335

(58) **Field of Classification Search**

USPC D24/183, 184, 171, 190, 200;

D6/333-336, 348-349, 381, 601, 716.2;

5/601, 622, 632, 636-638, 644-648;

601/33, 90-92; 128/870, 845, 882;

297/227, 440.1; 602/15, 20, 32, 62;

D30/118; D21/484, 486, 499, 500, 501,

D21/502; D25/113, 114, 118, 126;

52/427, 596, 602-609; 405/284, 286;

446/122, 124

CPC A47G 9/00; A47G 9/1072; A47G 9/10;

A47G 9/1081; A61G 13/036; A61G

13/1081; A61G 13/12; A61G 13/121;

A61G 13/1235; A61G 13/1245; A61G

13/125; A61G 2005/127; A61G 2005/128;

A61G 7/075; A61G 7/0755; A47C

20/021; A47C 4/02; A47C 7/546; A47D

13/08; A47D 13/083; A61B 6/0421; A61F

13/10; A61F 5/01; A61F 5/0118; A61F

5/013; A61F 5/0585; A61F 5/3707; A61F

5/3784; A63H 33/04; A63H 33/08; A63H

33/084; B28B 11/08; B28B 3/021; B28B

7/0061; B28B 7/007; B28B 7/0097; E02D

17/20; E02D 29/0241; E02D 29/025;

(Continued)

Primary Examiner — Ian Simmons

Assistant Examiner — Mark Cavanna

(74) *Attorney, Agent, or Firm* — Plumsea Law Group, LLC

(57) **CLAIM**

The ornamental design for an arm support, as shown and described.

DESCRIPTION

FIG. 1 is a top perspective view of an arm support showing the new design;

FIG. 2 is a bottom perspective view thereof;

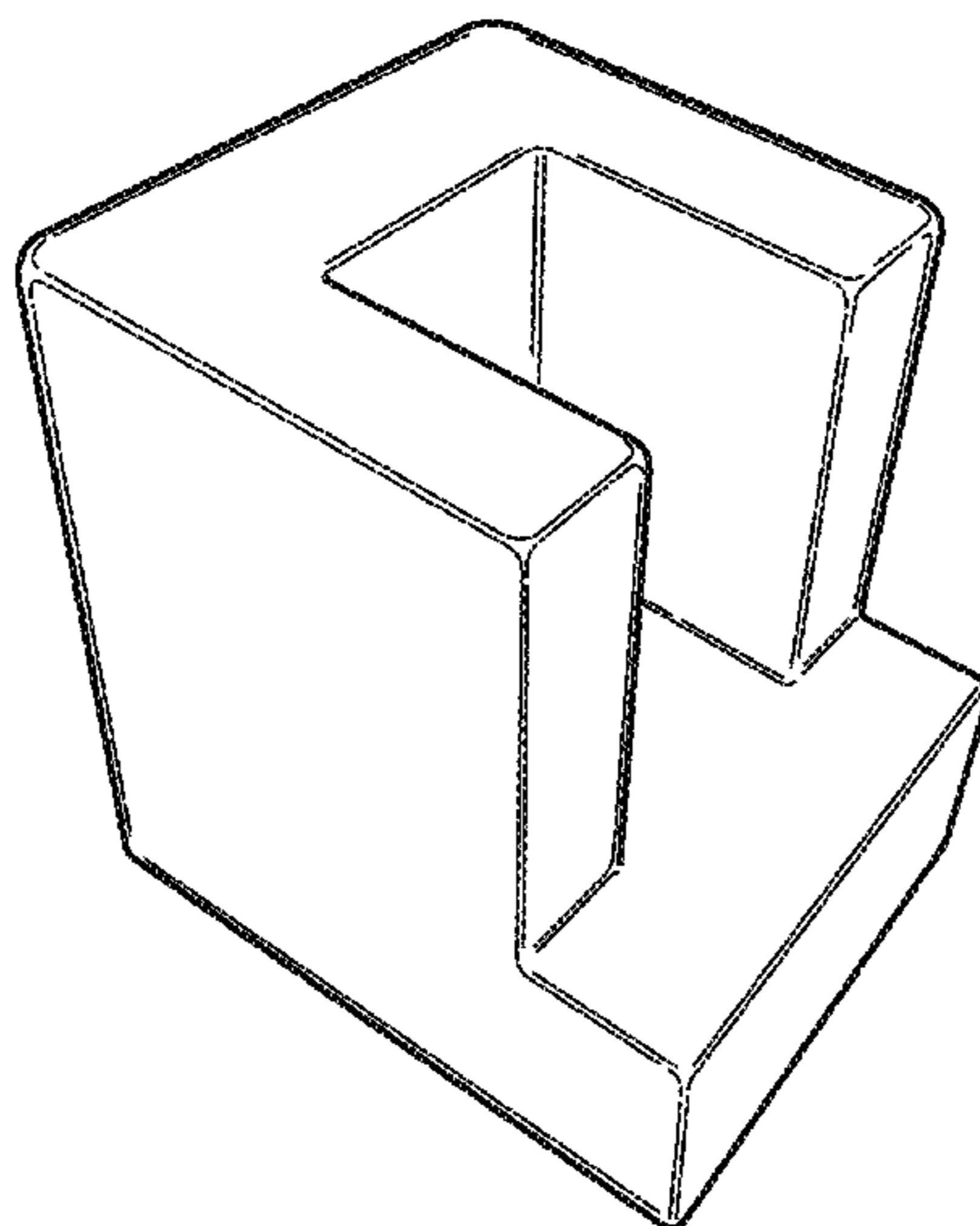
FIG. 3 is a front elevational view thereof;

FIG. 4 is a rear elevational view thereof;

FIG. 5 is a side elevational view thereof, the opposite side elevational view being a mirror image; and,

FIG. 6 is a top plan view thereof.

1 Claim, 2 Drawing Sheets



(56)

References Cited

U.S. PATENT DOCUMENTS

4,270,235 A * 6/1981 Gutmann A61G 7/075
5/646
4,475,326 A * 10/1984 Hanson A63H 33/084
52/286
D277,609 S * 2/1985 Deimen D25/113
D314,252 S * 1/1991 Horne D30/118
5,066,169 A * 11/1991 Gavin E02D 29/0241
405/262
5,072,566 A * 12/1991 Zeidman E02D 29/025
405/119
5,207,716 A * 5/1993 McReynolds A61F 5/3707
128/870
D342,580 S * 12/1993 Harrison D25/118
5,378,185 A * 1/1995 Ban A63H 33/08
446/120
5,467,782 A * 11/1995 Wiseman A61B 6/0421
5/636
5,537,702 A * 7/1996 Brown-Milants A61B 6/0421
128/845
D375,163 S * 10/1996 Lipson D24/183
D378,028 S * 2/1997 Schefcik D30/118
5,603,336 A * 2/1997 Shepich A47C 20/021
128/882
5,716,334 A * 2/1998 Wade A61F 5/0585
128/882
D396,901 S * 8/1998 von Langsdorff D25/113
5,800,368 A * 9/1998 Klingemann A47D 13/08
128/845
D399,661 S * 10/1998 Smith D6/334
D399,968 S * 10/1998 Petersen D24/184
5,865,005 A * 2/1999 Cataldo E02D 29/025
405/284
D413,982 S * 9/1999 Swedberg D24/183
D415,281 S * 10/1999 Swedberg D24/183
D422,362 S * 4/2000 Ames D24/183
D437,622 S * 2/2001 Chang D21/501
D438,725 S * 3/2001 Takahashi D6/716.2
D442,236 S * 5/2001 Chang D21/501

D442,647 S * 5/2001 Chang D21/501
D444,892 S * 7/2001 Winters D25/113
D476,749 S * 7/2003 Cerrato D25/114
D482,461 S * 11/2003 Miller D25/126
6,764,458 B2 * 7/2004 Polonchek A61G 7/0755
128/845
D502,554 S * 3/2005 Luaces D25/118
D510,774 S * 10/2005 Jansson D25/118
D518,894 S * 4/2006 Kirn D24/184
7,118,544 B2 * 10/2006 Murray A47C 20/021
5/650
D542,478 S * 5/2007 Andriola D30/118
7,261,374 B2 * 8/2007 Potosky A47C 7/546
297/188.18
D575,413 S * 8/2008 Hammer D25/113
D598,106 S * 8/2009 Goumas D24/184
D600,821 S * 9/2009 Esterhuizen E04B 2/18
D25/113
7,823,360 B1 * 11/2010 Cottle E04B 2/42
52/604
7,882,674 B2 * 2/2011 Craven E04B 2/18
446/124
D642,280 S * 7/2011 Goumas D24/183
8,272,812 B2 * 9/2012 Woolbright E02D 17/20
405/284
D677,475 S * 3/2013 Bellini D6/334
D700,716 S * 3/2014 Harter D25/113
D707,833 S * 6/2014 Waugh D24/190
D713,838 S * 9/2014 Andre D14/253
D714,457 S * 9/2014 Waugh D24/190
D721,141 S * 1/2015 Fishman D21/484
D728,798 S * 5/2015 Moon D24/184
9,021,762 B1 * 5/2015 DePalma E04B 2/14
52/596
D733,897 S * 7/2015 Rossouw D24/184
D763,366 S * 8/2016 Ting D21/501
D765,797 S * 9/2016 Banik D21/484
D779,683 S * 2/2017 Quan Rosales D25/113
2005/0028285 A1 * 2/2005 Murray A47C 20/021
5/648

* cited by examiner

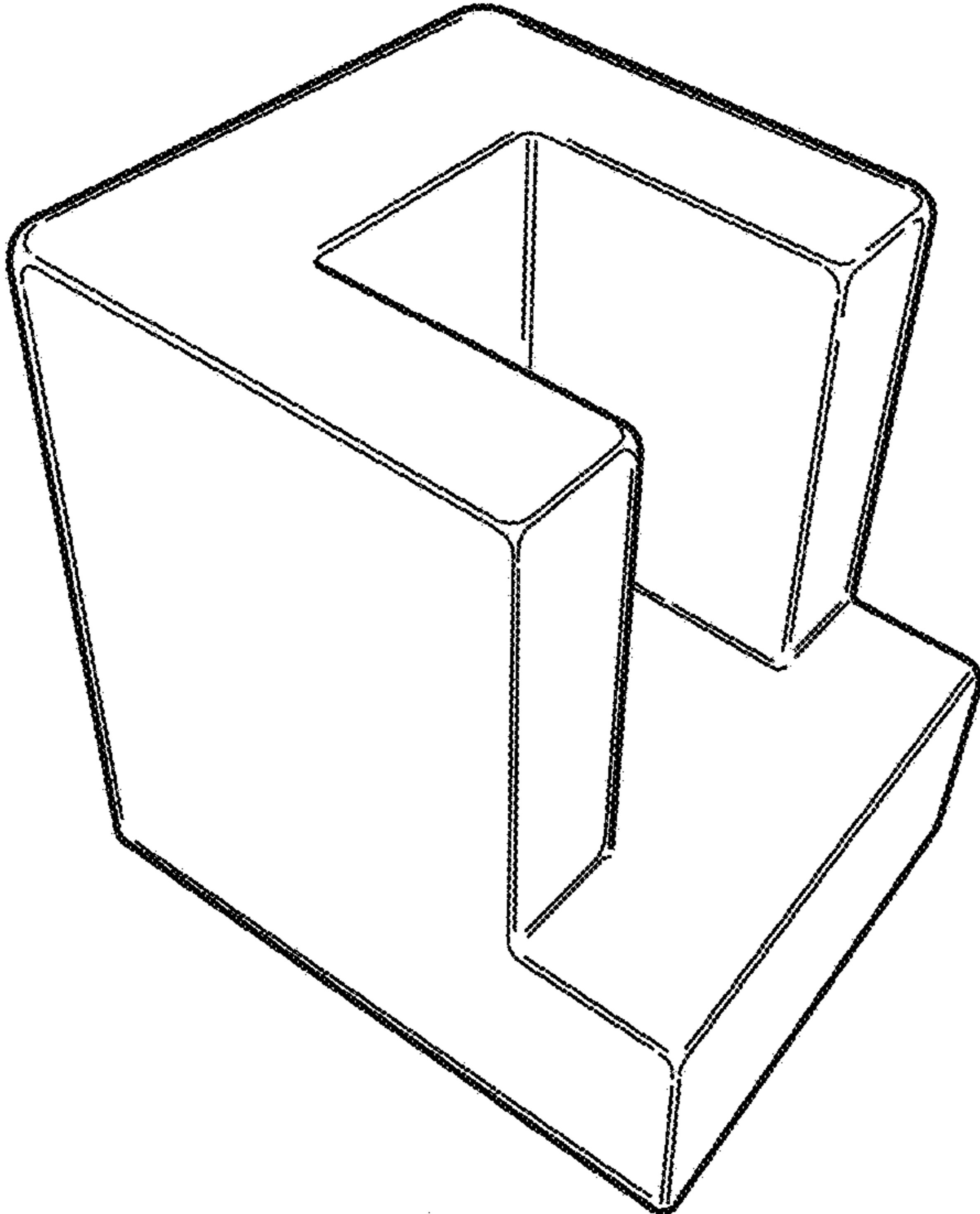


FIG. 1

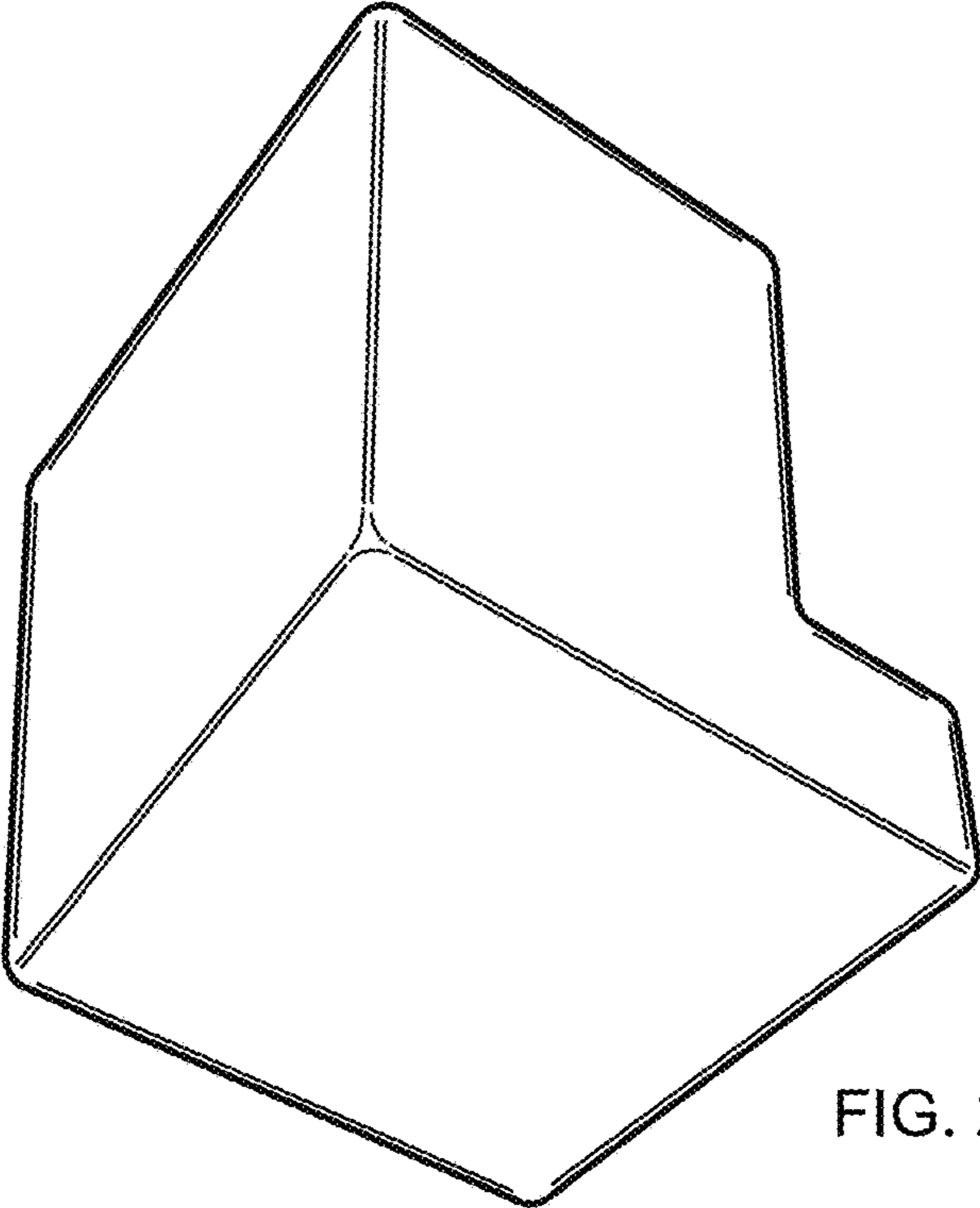


FIG. 2

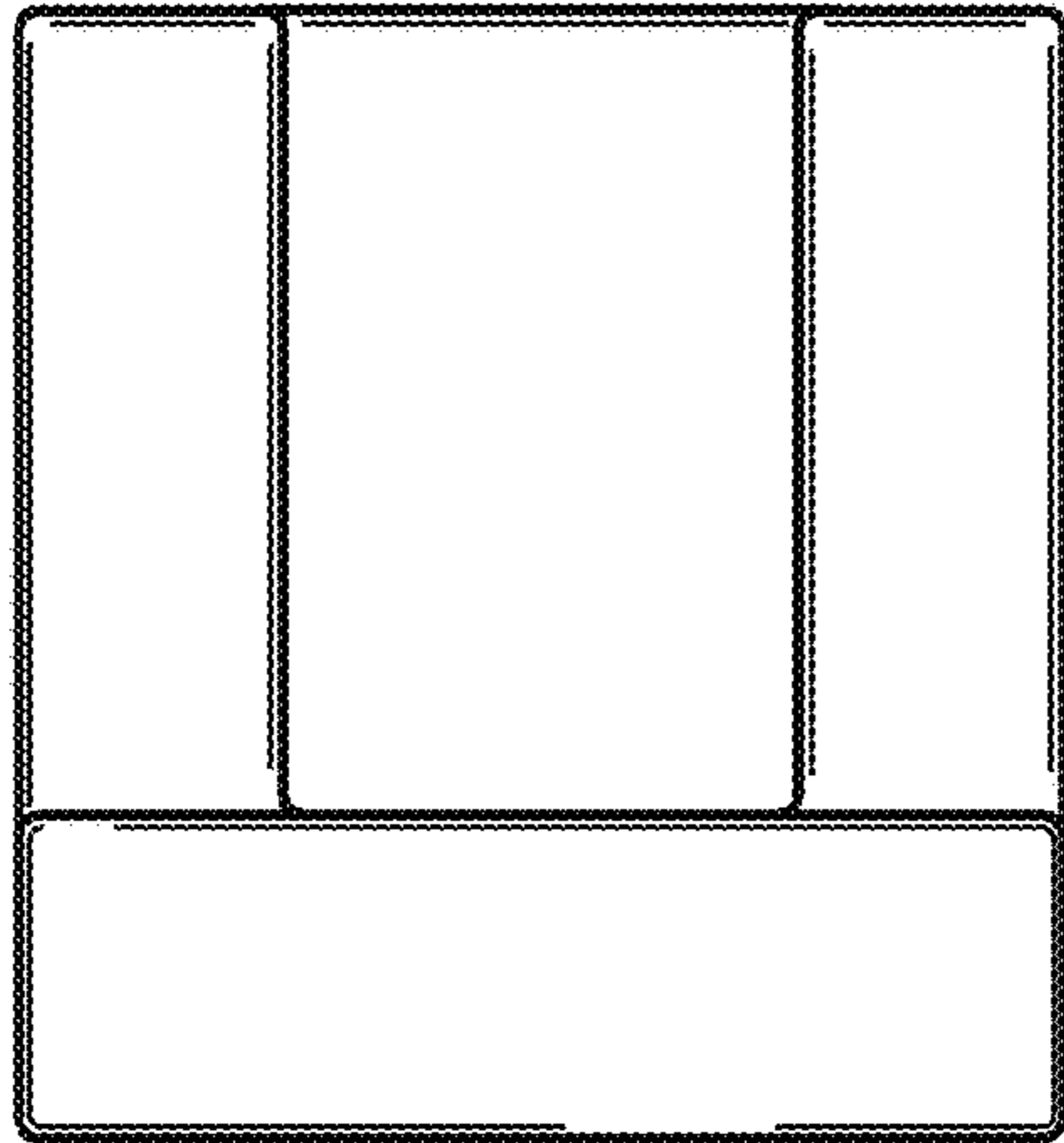


FIG. 3

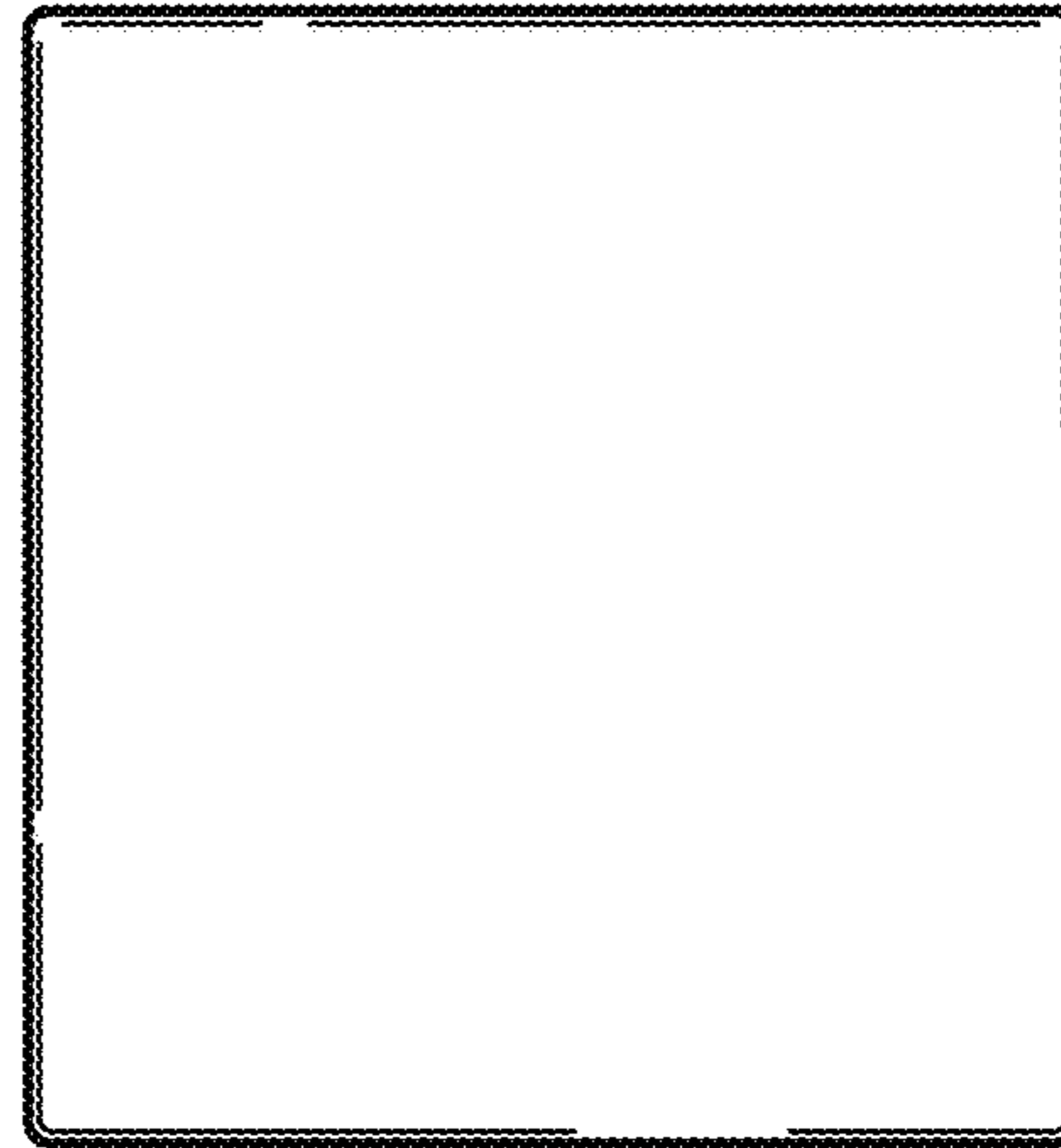


FIG. 4

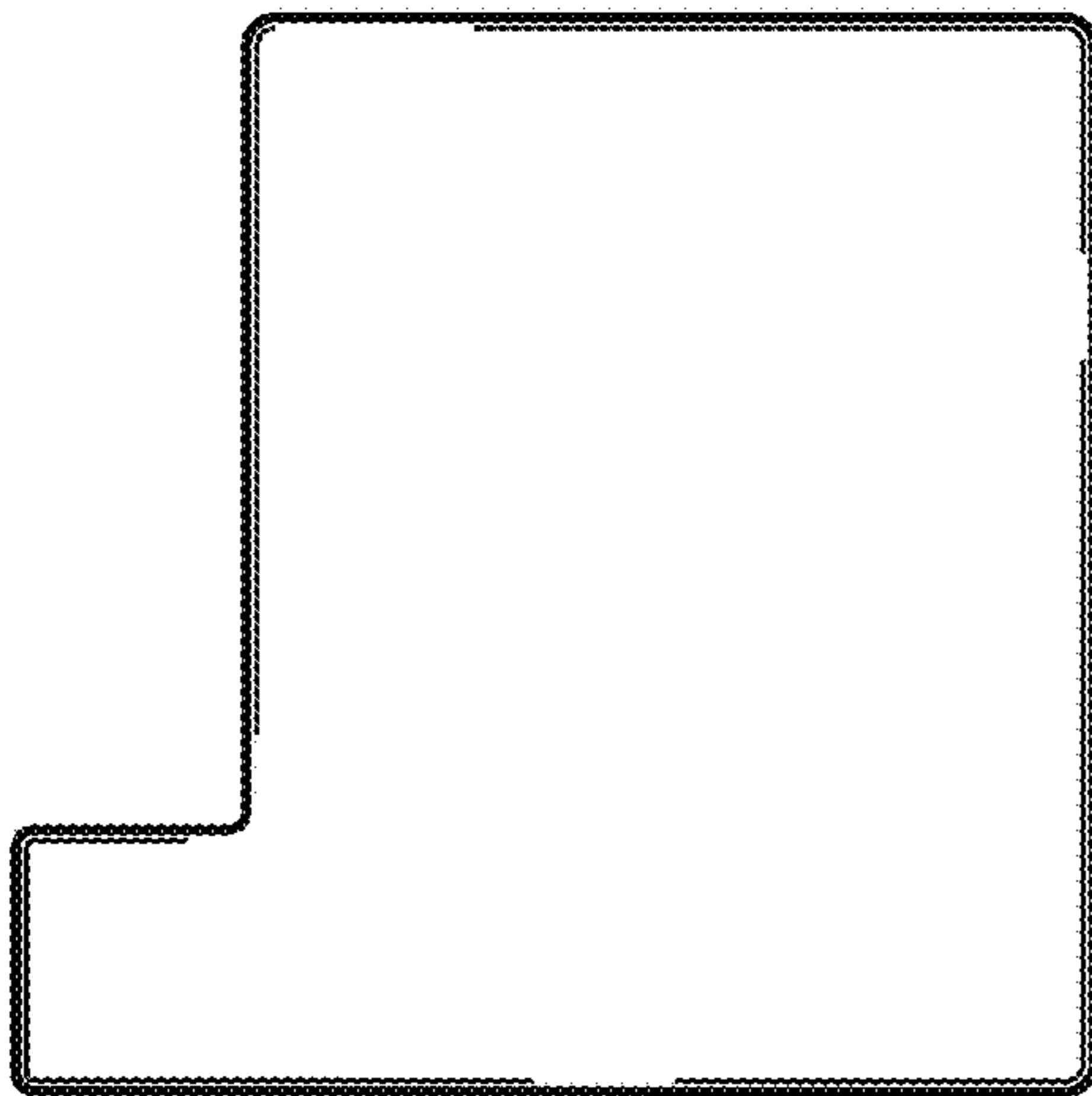


FIG. 5

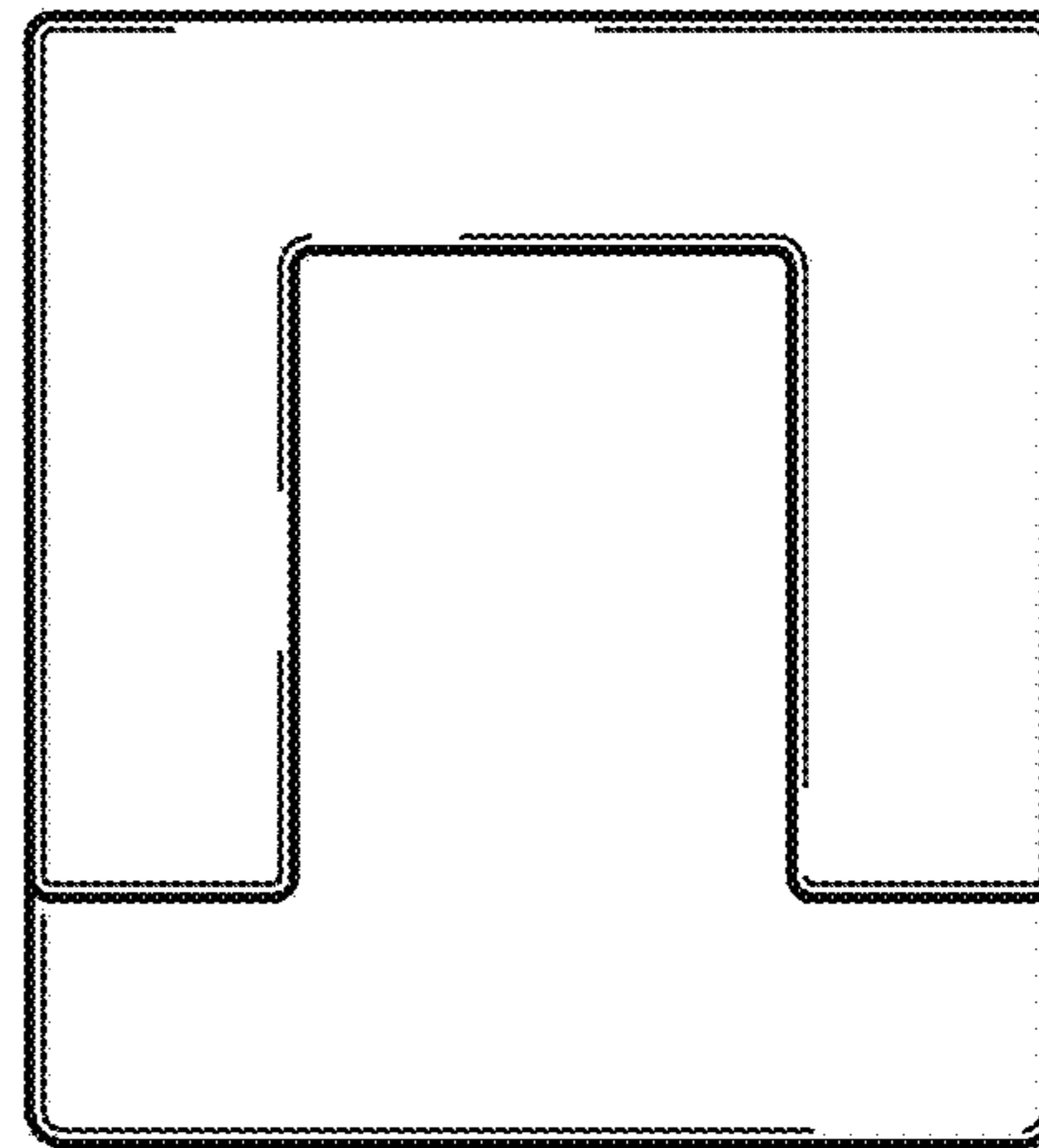


FIG. 6