



US00D805200S

(12) **United States Design Patent**
Zavalloni

(10) **Patent No.:** **US D805,200 S**

(45) **Date of Patent:** **** Dec. 12, 2017**

(54) **INTERDENTAL BRUSH**

(71) Applicant: **CURADEN AG**, Kriens (CH)

(72) Inventor: **Marco Zavalloni**, Wohlen (CH)

(73) Assignee: **CURADEN AG**, Kriens (CH)

(**) Term: **15 Years**

(21) Appl. No.: **29/528,973**

(22) Filed: **Jun. 2, 2015**

(30) **Foreign Application Priority Data**

Dec. 3, 2014 (CH) 141197

(51) **LOC (10) Cl.** **24-02**

(52) **U.S. Cl.**
USPC **D24/152**

(58) **Field of Classification Search**
USPC D24/152, 154, 156, 176, 146; D4/104,
D4/109, 132, 135

(Continued)

(56) **References Cited**

U.S. PATENT DOCUMENTS

D293,472 S * 12/1987 Chrones D24/152
6,325,626 B1 * 12/2001 Blass A61C 15/00
132/321

(Continued)

Primary Examiner — Wan Laymon

(74) *Attorney, Agent, or Firm* — Birch, Stewart, Kolasch
& Birch, LLP

(57) **CLAIM**

The ornamental design for an interdental brush, as shown and described.

DESCRIPTION

FIG. 1 is a top end view of a first embodiment of an interdental brush showing a first embodiment of my new design in an enlarged scale;

FIG. 2 is a bottom end view thereof in an enlarged scale;

FIG. 3 is a left side view thereof;

FIG. 4 is a front view thereof;

FIG. 5 is a right side view thereof;

FIG. 6 is a rear view thereof;

FIG. 7 is a rear perspective view thereof;

FIG. 8 is a front perspective view thereof;

FIG. 9 is a top end view of an interdental brush showing a second embodiment of my new design in an enlarged scale;

FIG. 10 is a bottom end view thereof in an enlarged scale;

FIG. 11 is a left side view thereof;

FIG. 12 is a front view thereof;

FIG. 13 is a right side view thereof;

FIG. 14 is a rear view thereof;

FIG. 15 is a rear perspective view thereof;

FIG. 16 is a front perspective view thereof;

FIG. 17 is a top end view of an interdental brush showing a third embodiment of my new design in an enlarged scale;

FIG. 18 is a bottom end view thereof in an enlarged scale;

FIG. 19 is a left side view thereof;

FIG. 20 is a front view thereof;

FIG. 21 is a right side view thereof;

FIG. 22 is a rear view thereof;

FIG. 23 is a rear perspective view thereof;

FIG. 24 is a front perspective view thereof;

FIG. 25 is a top end view of an interdental brush showing a fourth embodiment of my new design in an enlarged scale;

FIG. 26 is a bottom end view thereof in an enlarged scale;

FIG. 27 is a left side view thereof;

FIG. 28 is a front view thereof;

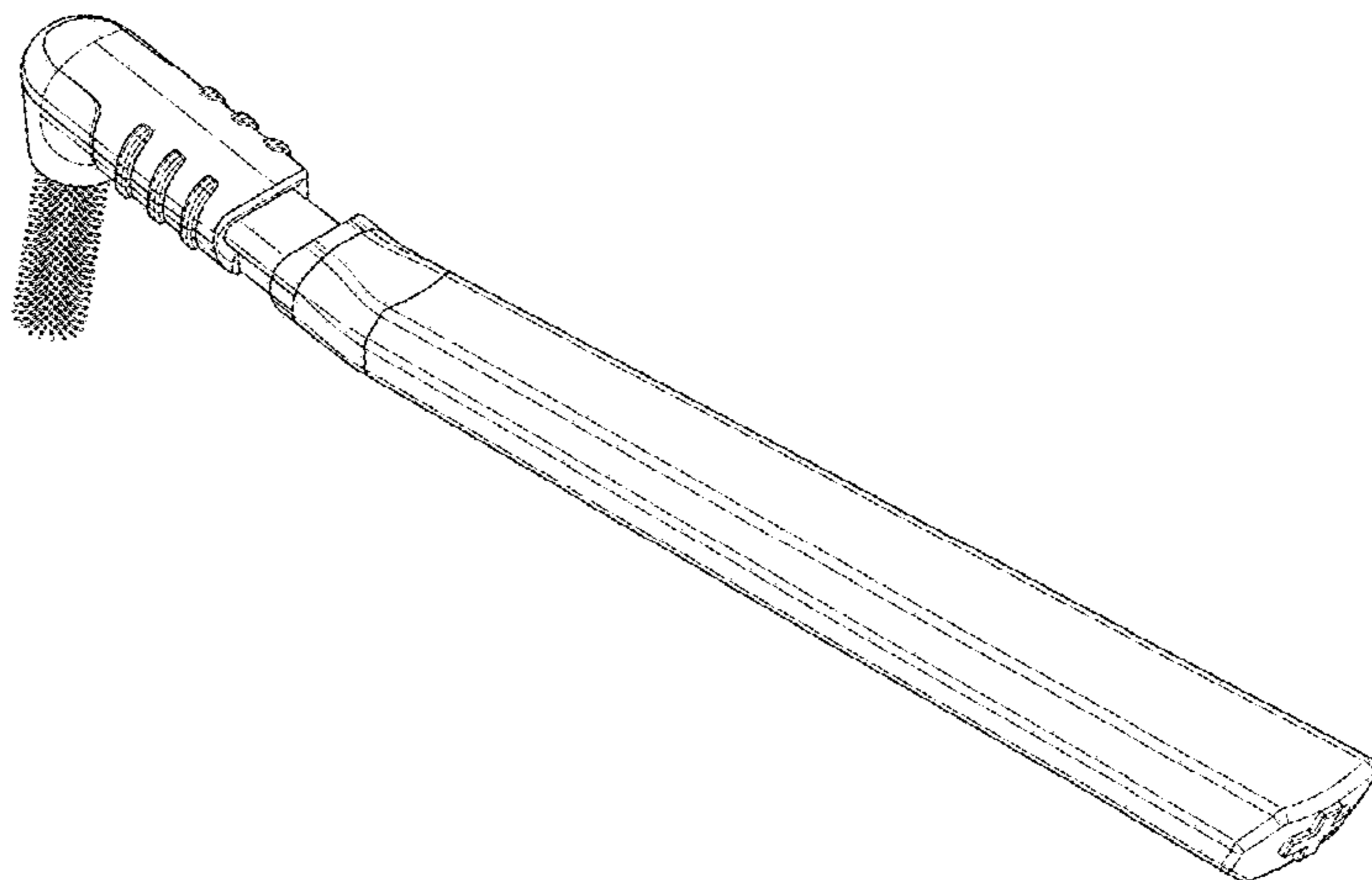
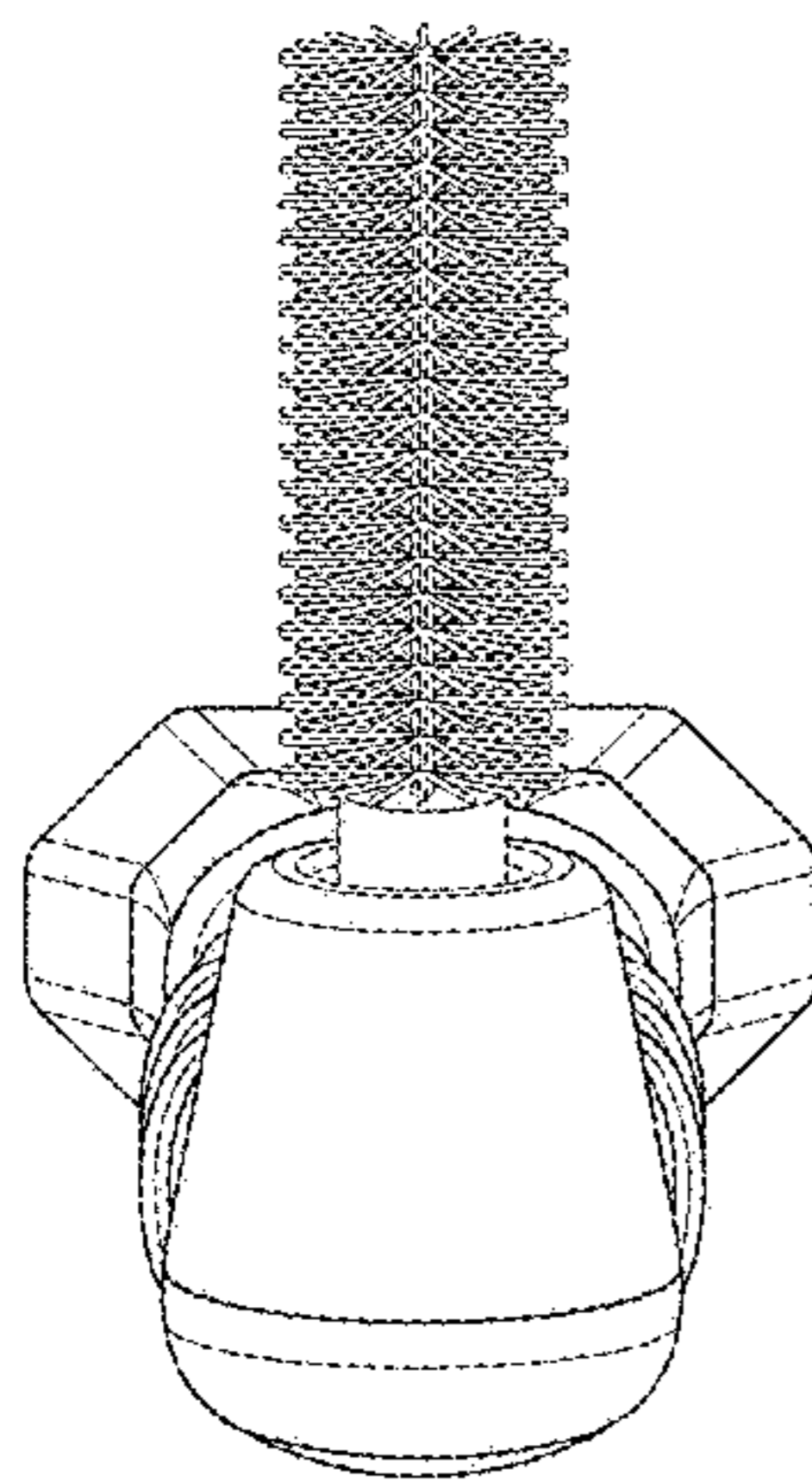
FIG. 29 is a right side view thereof;

FIG. 30 is a rear view thereof;

FIG. 31 is a rear perspective view thereof; and,

FIG. 32 is a front perspective view thereof.

1 Claim, 32 Drawing Sheets



(58) **Field of Classification Search**

CPC A46B 15/00; A46B 15/0022; A46B 5/00;
A46B 9/04; A46B 9/045; A46B
2200/1026; A46B 2200/1073; A46B
2200/108; A61C 15/00; A61C 17/00;
A61C 17/0202; A61C 17/16; A61C 17/22
See application file for complete search history.

(56) **References Cited**

U.S. PATENT DOCUMENTS

D674,905 S * 1/2013 Lowsky D24/152
8,567,000 B2 * 10/2013 Kubo A46B 5/02
132/321
8,918,944 B2 * 12/2014 Kato A46D 1/00
15/167.1
2010/0050358 A1 * 3/2010 Kim A46B 5/0062
15/167.2
2011/0041271 A1 * 2/2011 Huang A46B 9/04
15/167.1
2015/0257861 A1 * 9/2015 Dishon A61C 15/02
132/329
2015/0282601 A1 * 10/2015 Butz A61C 15/00
15/167.1
2017/0164726 A1 * 6/2017 Lee A61C 15/00

* cited by examiner

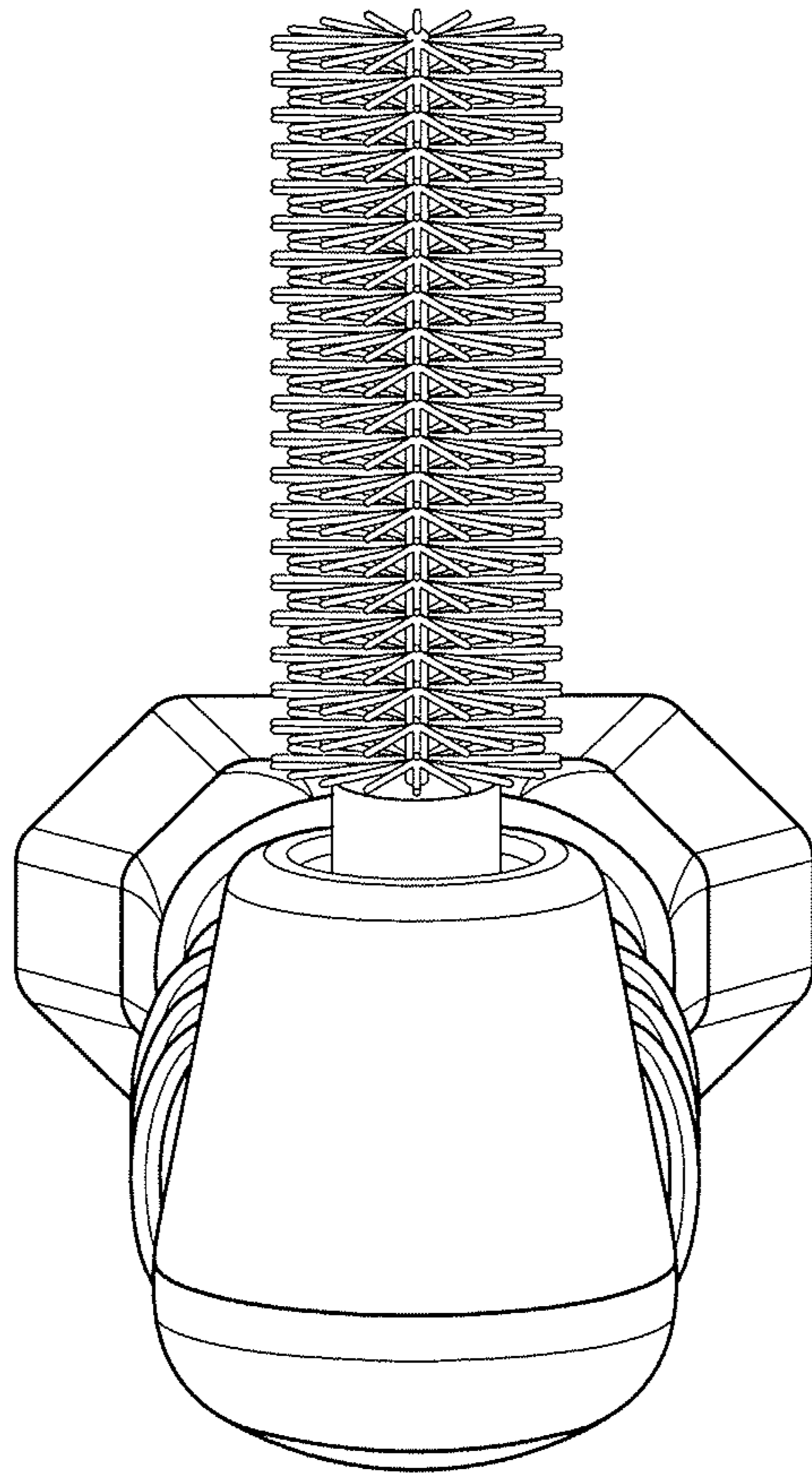


FIG.1

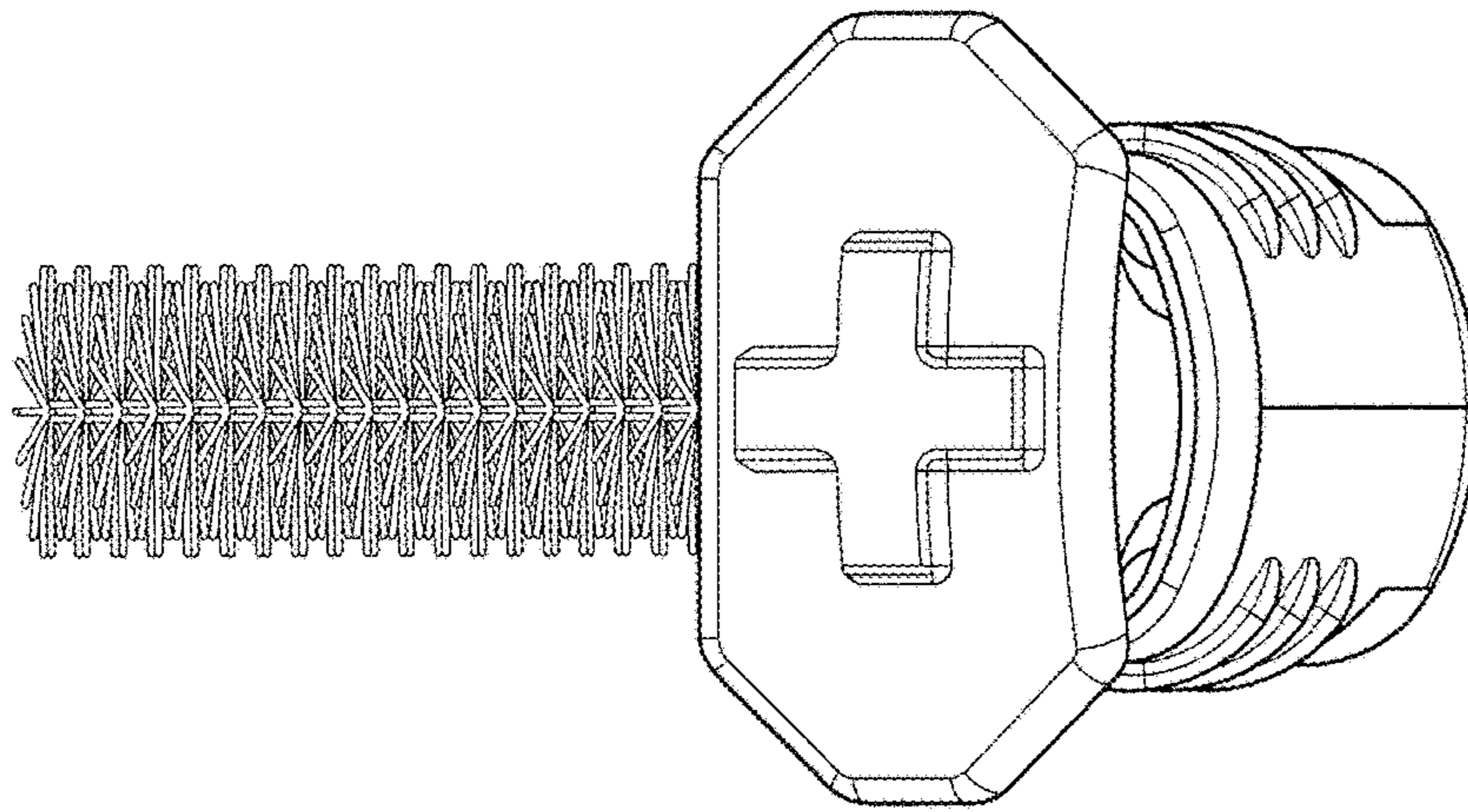


FIG.2

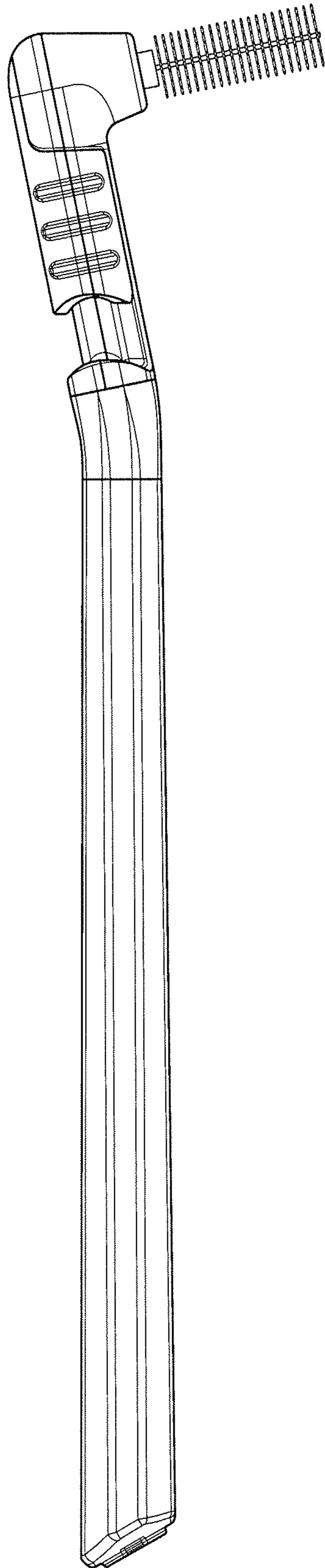


FIG.3

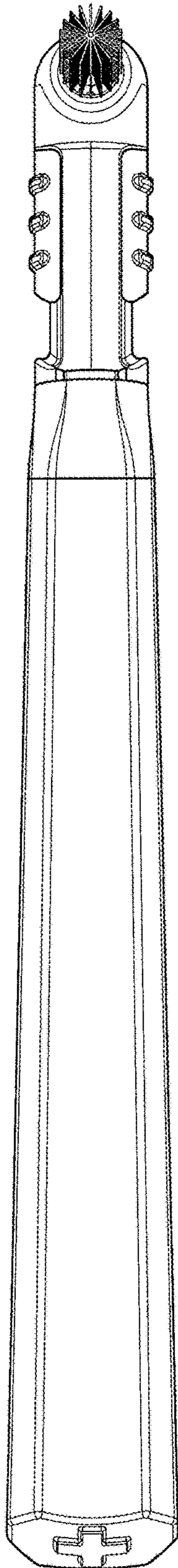


FIG.4

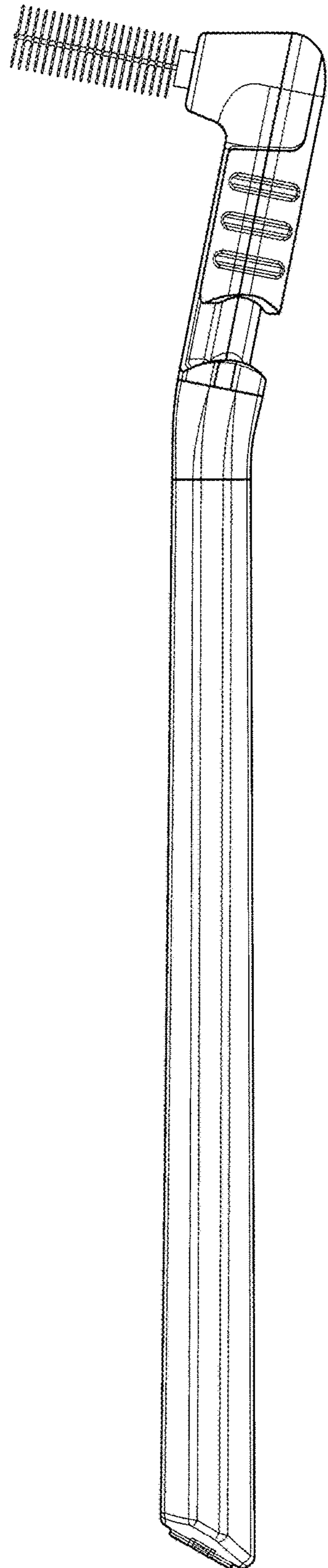


FIG.5

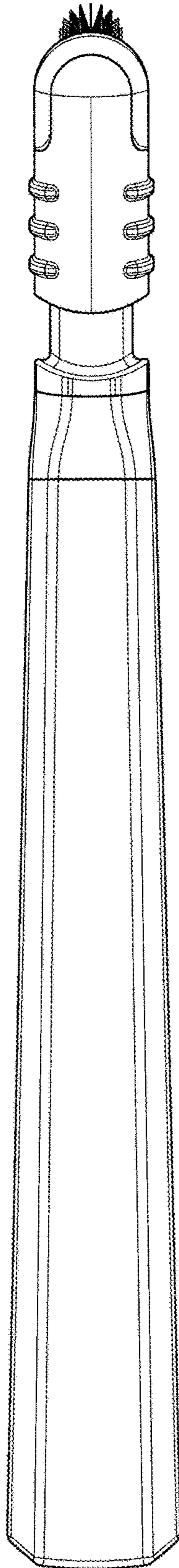


FIG.6

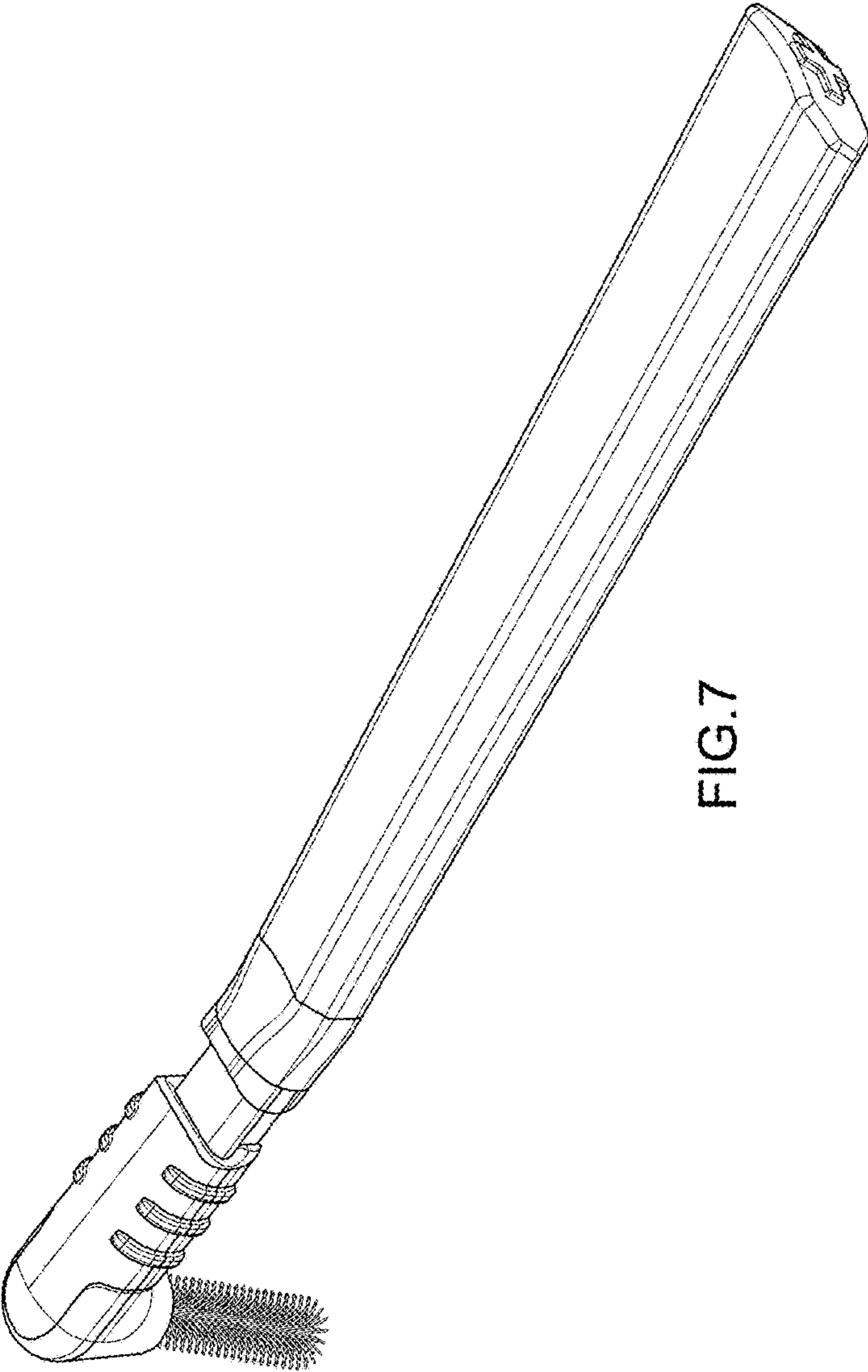


FIG.7

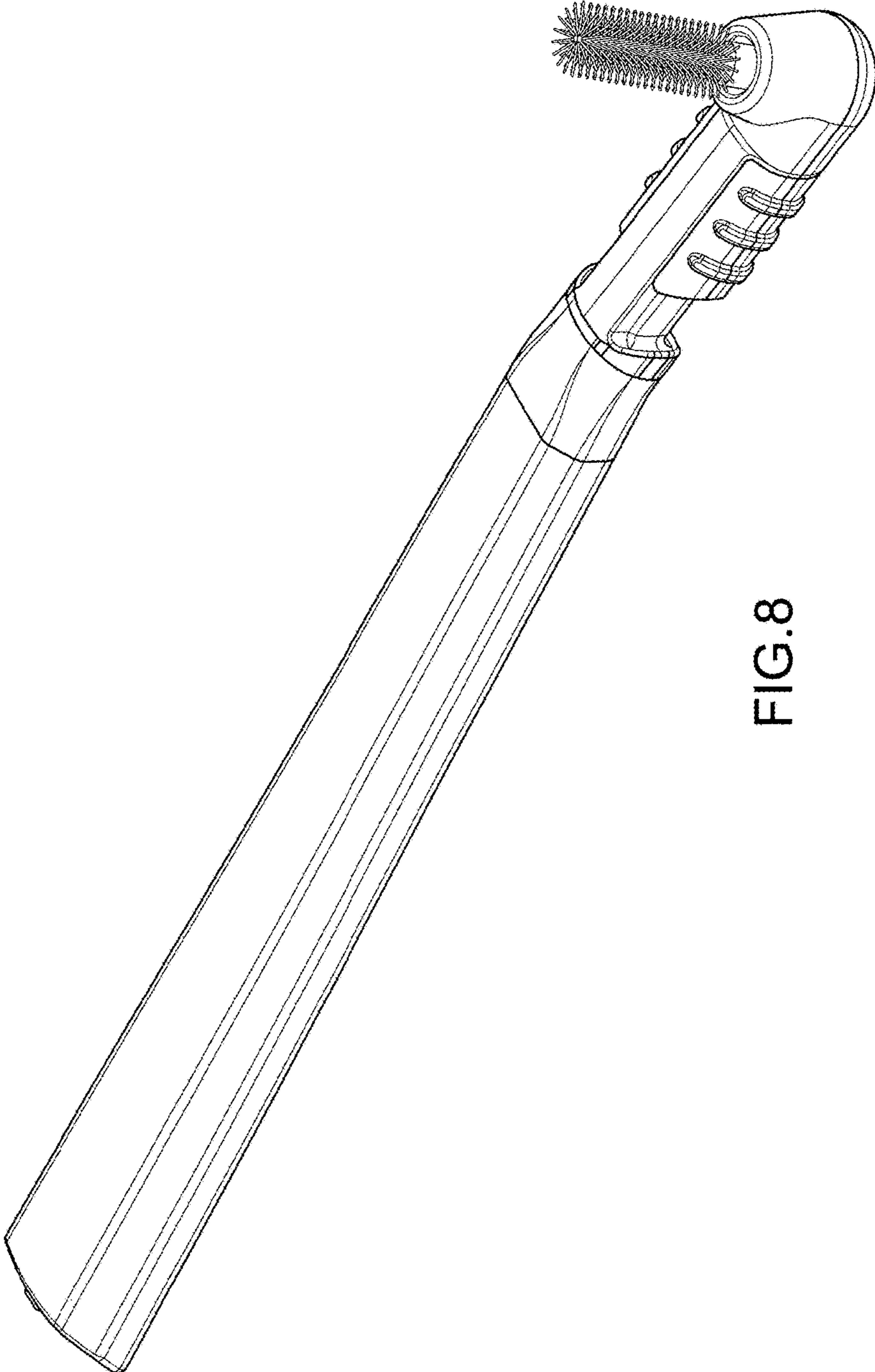


FIG.8

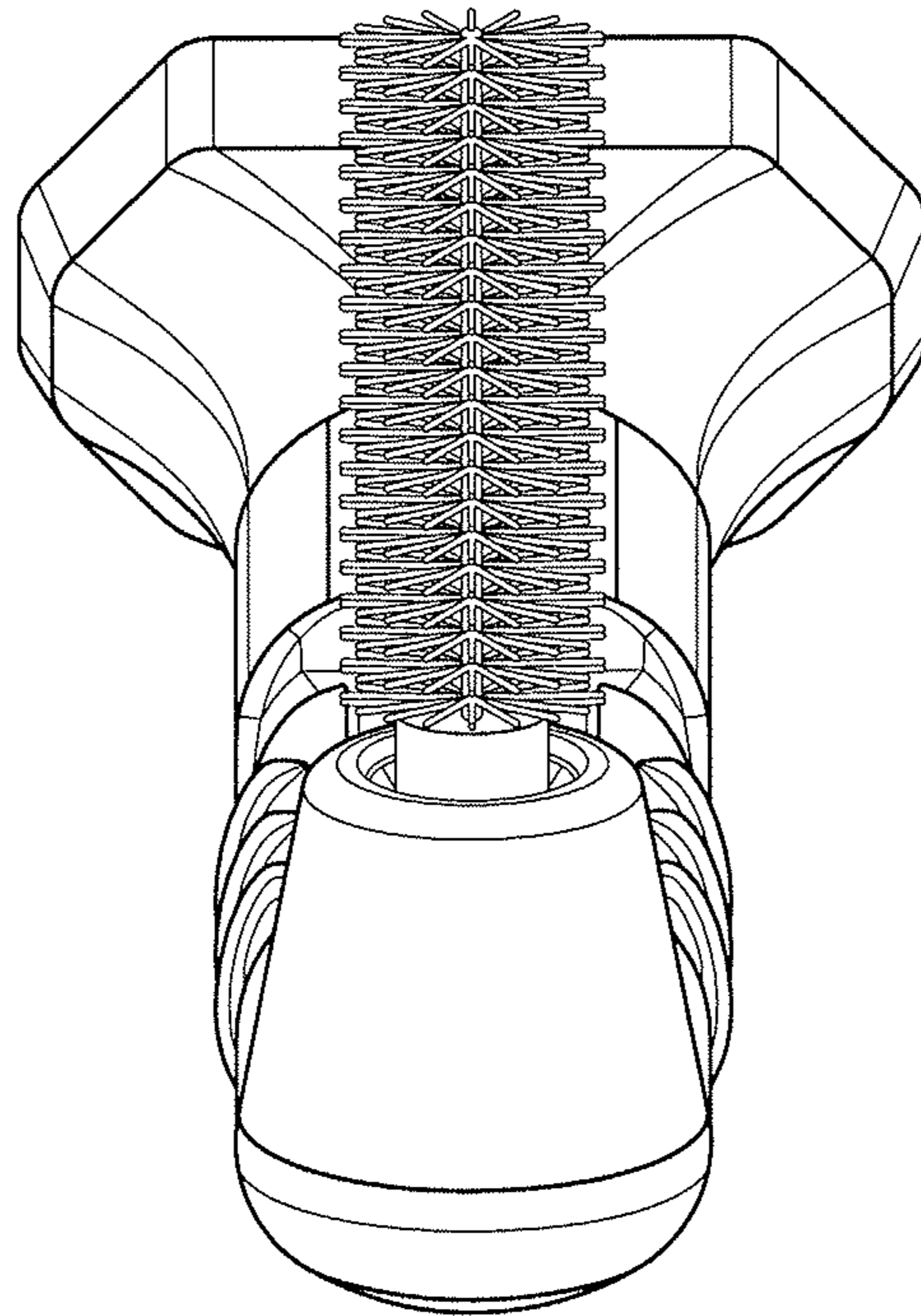


FIG.9

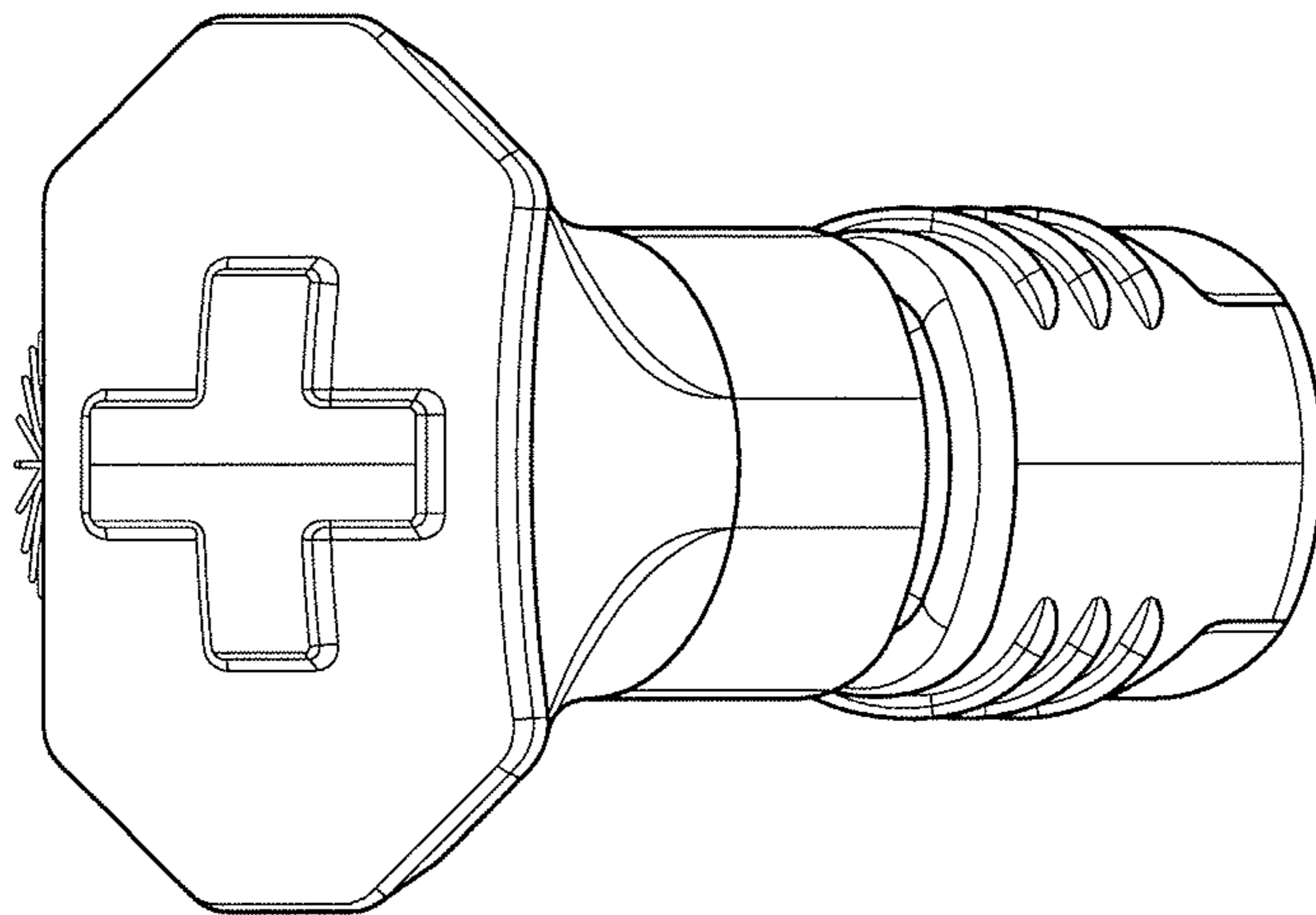


FIG.10

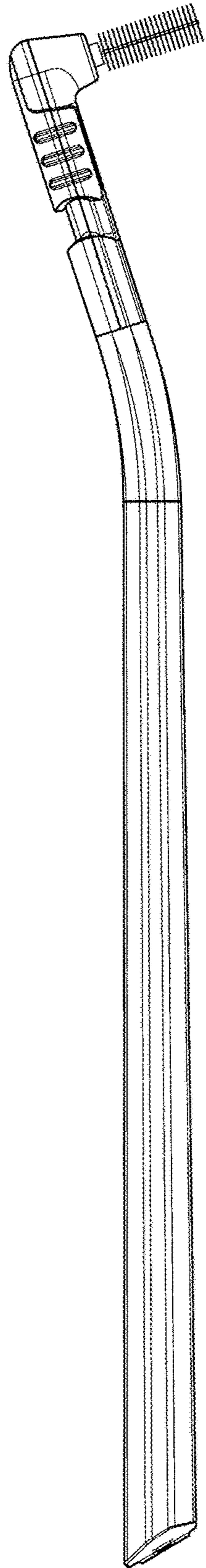


FIG.11

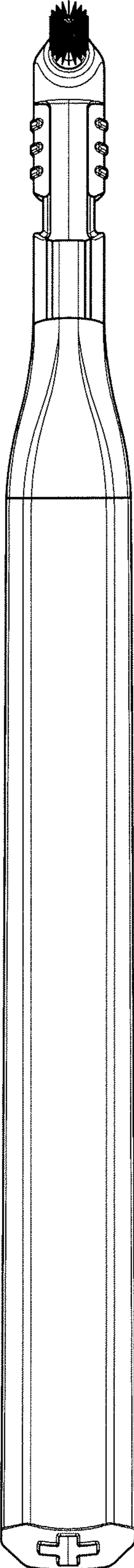


FIG.12

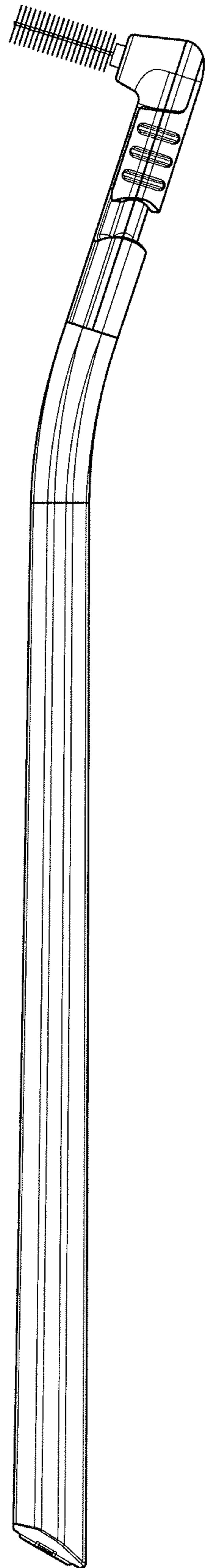


FIG.13

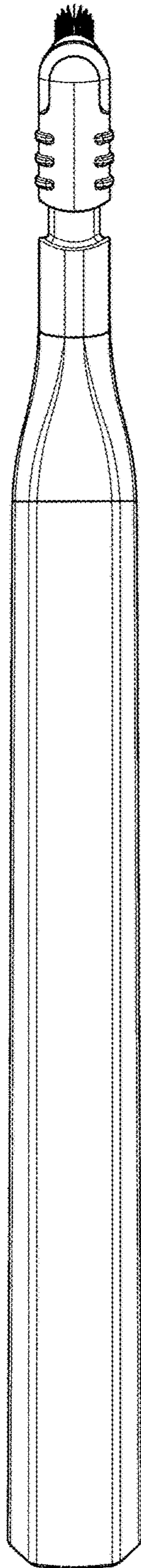


FIG.14

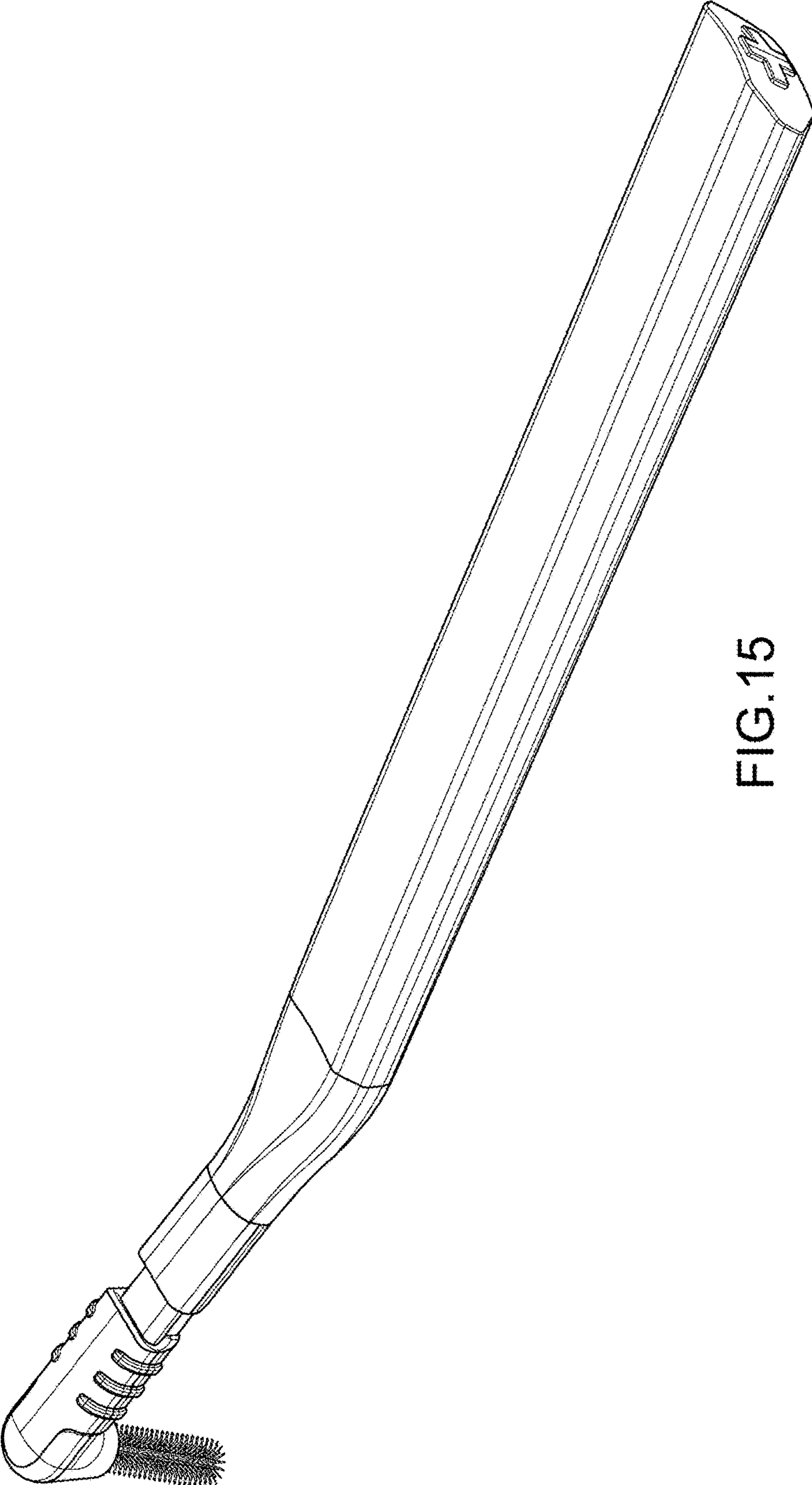


FIG.15

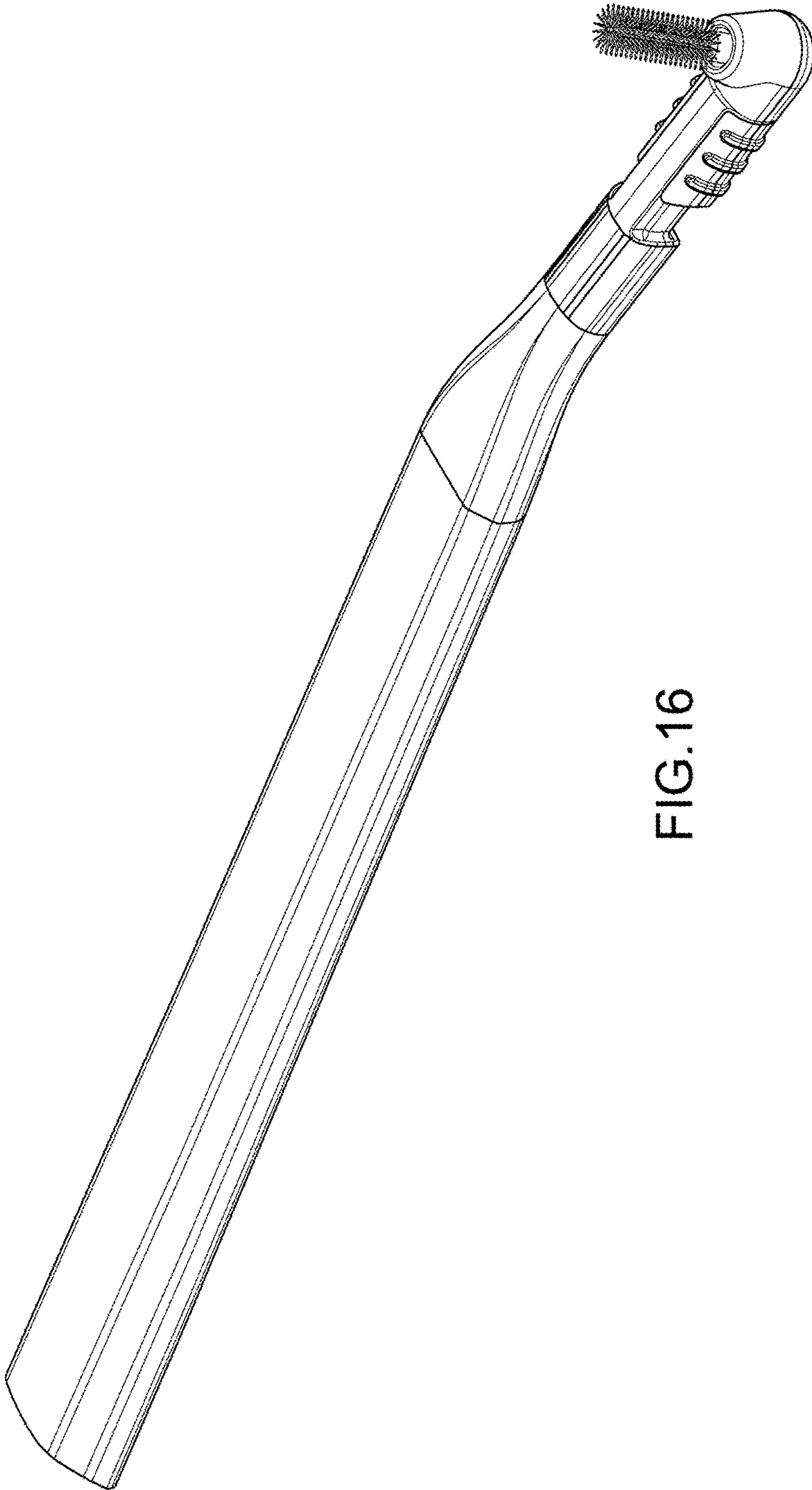


FIG.16

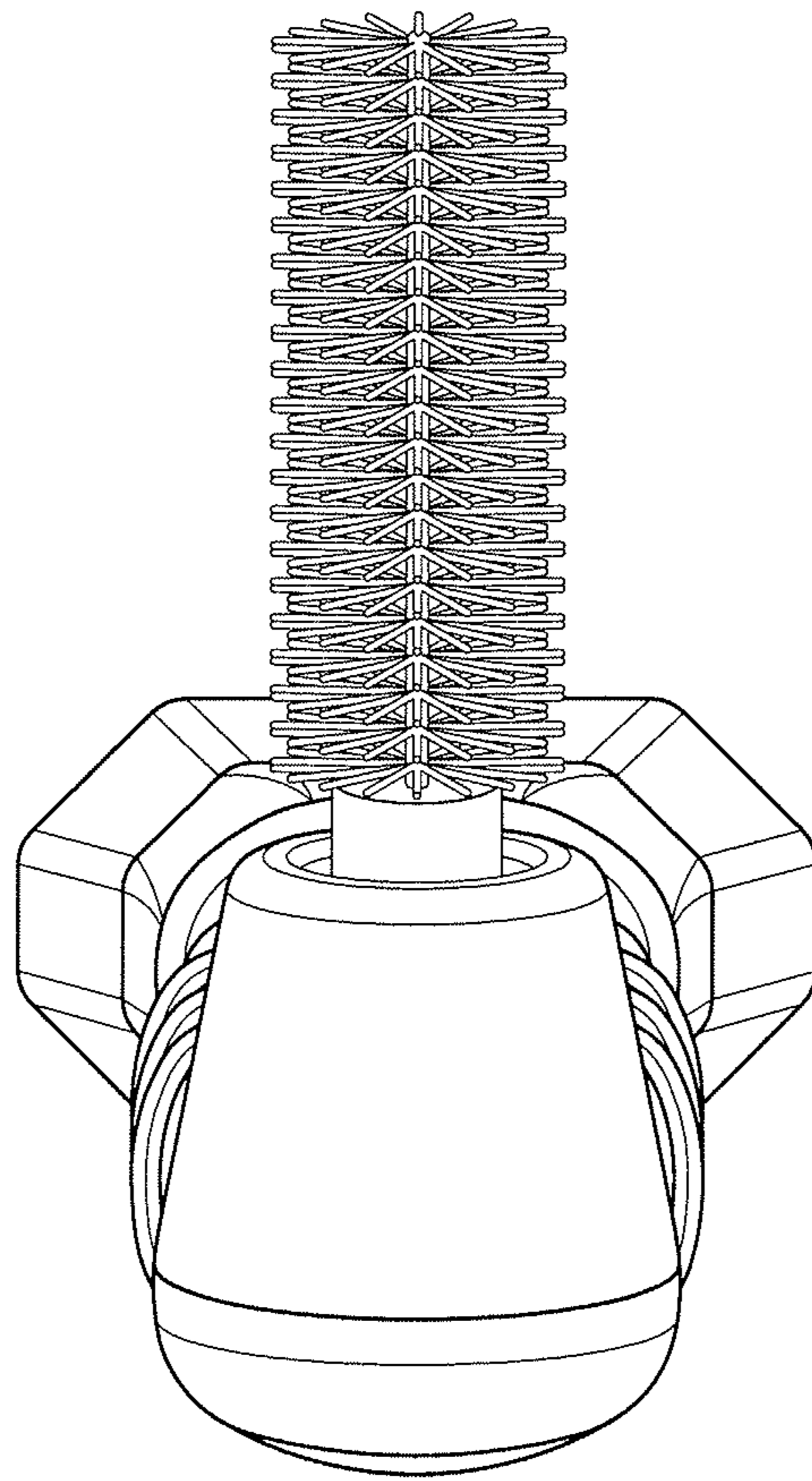


FIG.17

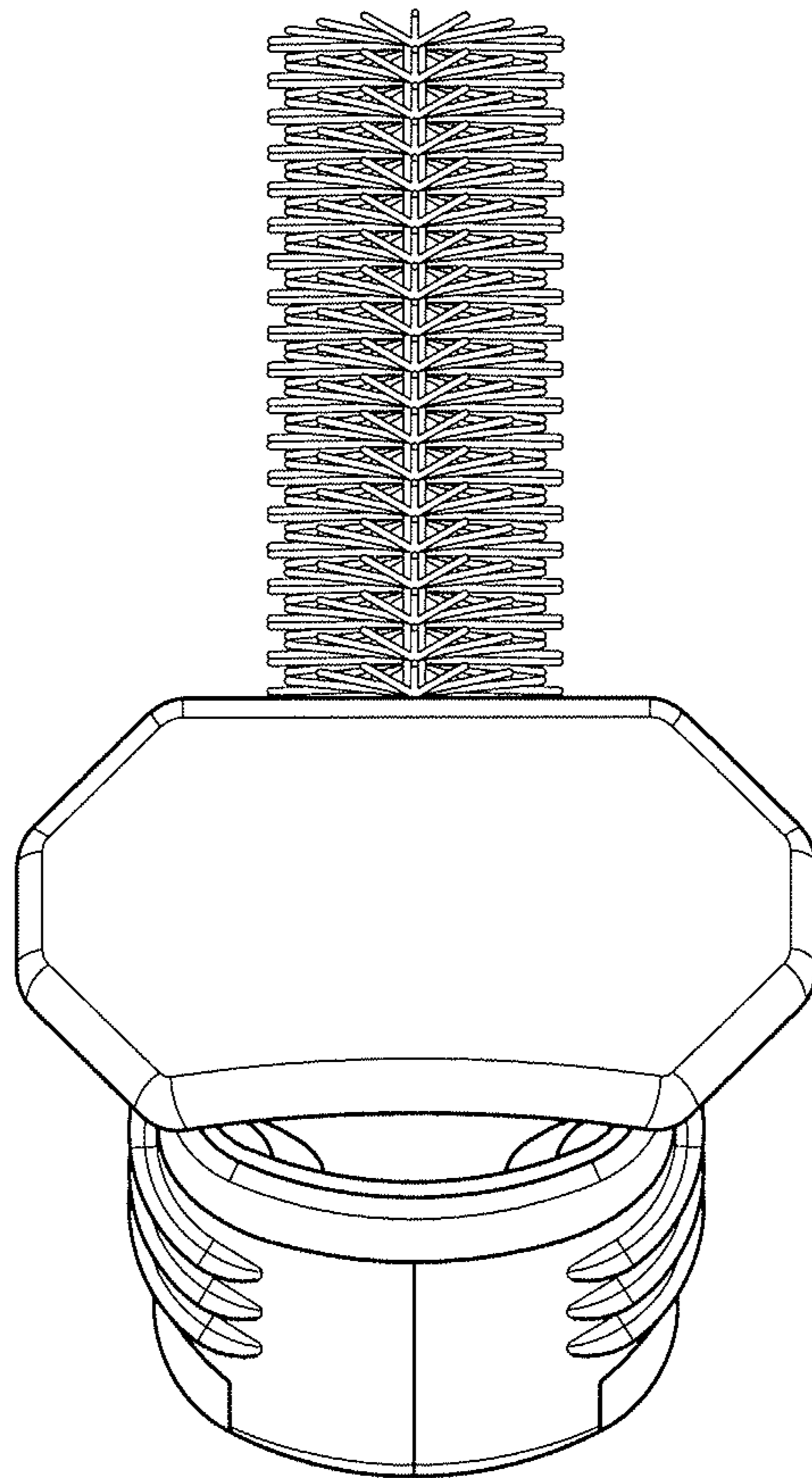


FIG.18

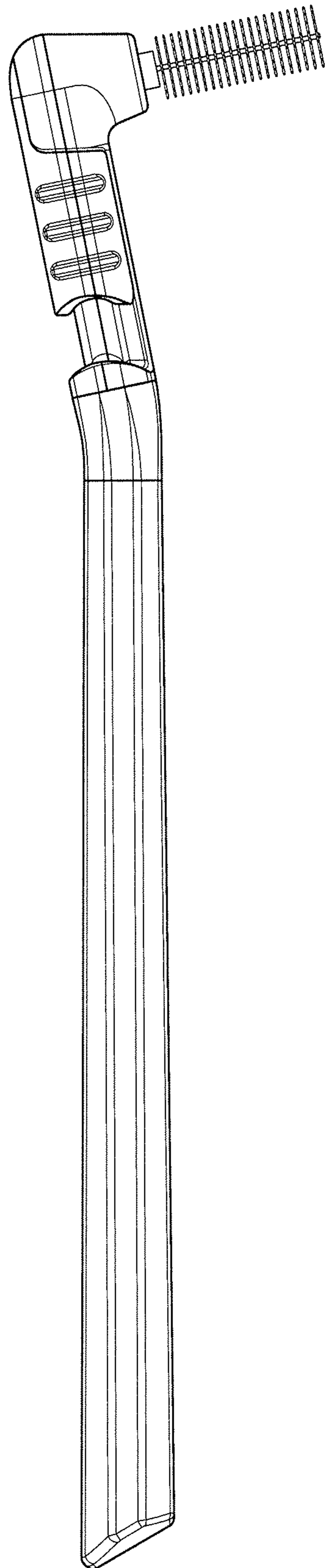


FIG.19

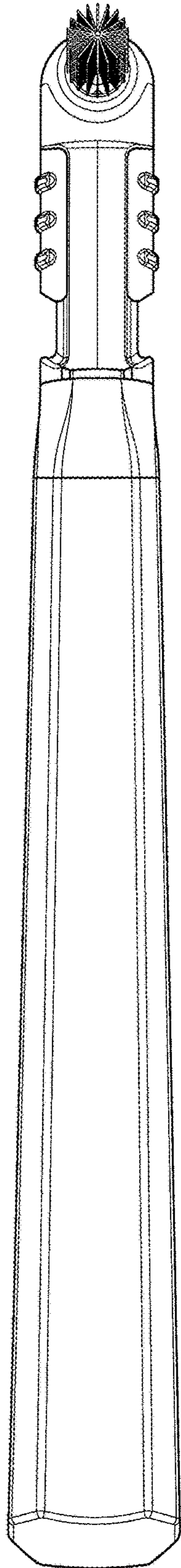


FIG.20

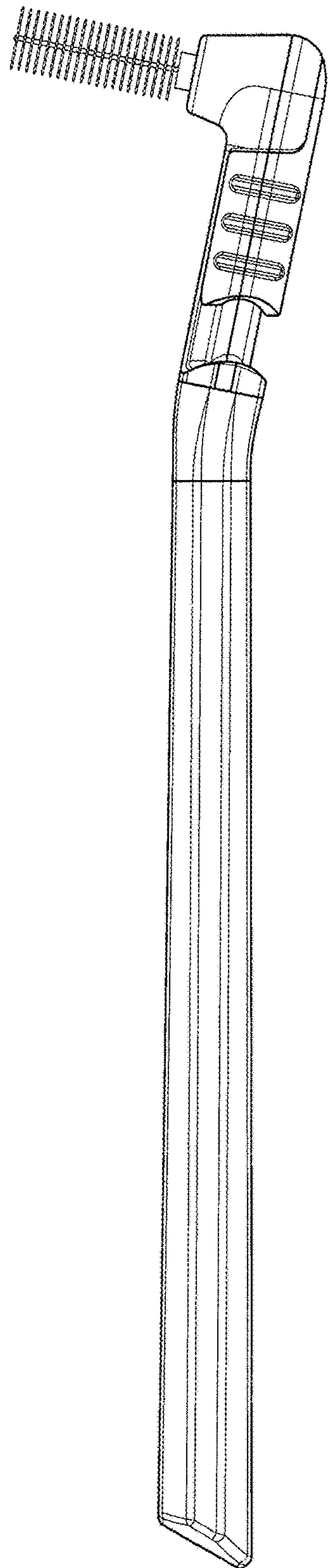


FIG.21

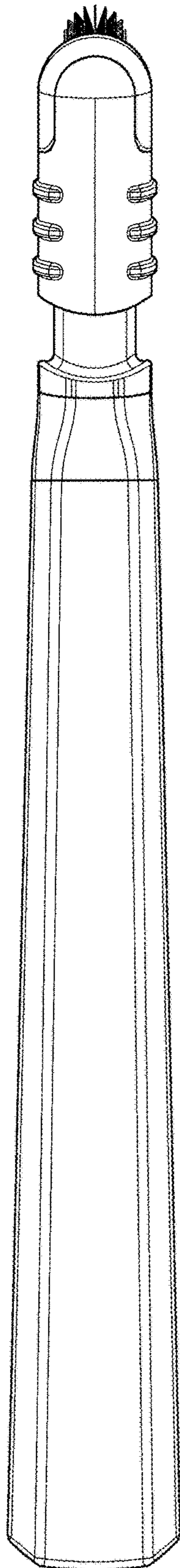


FIG.22

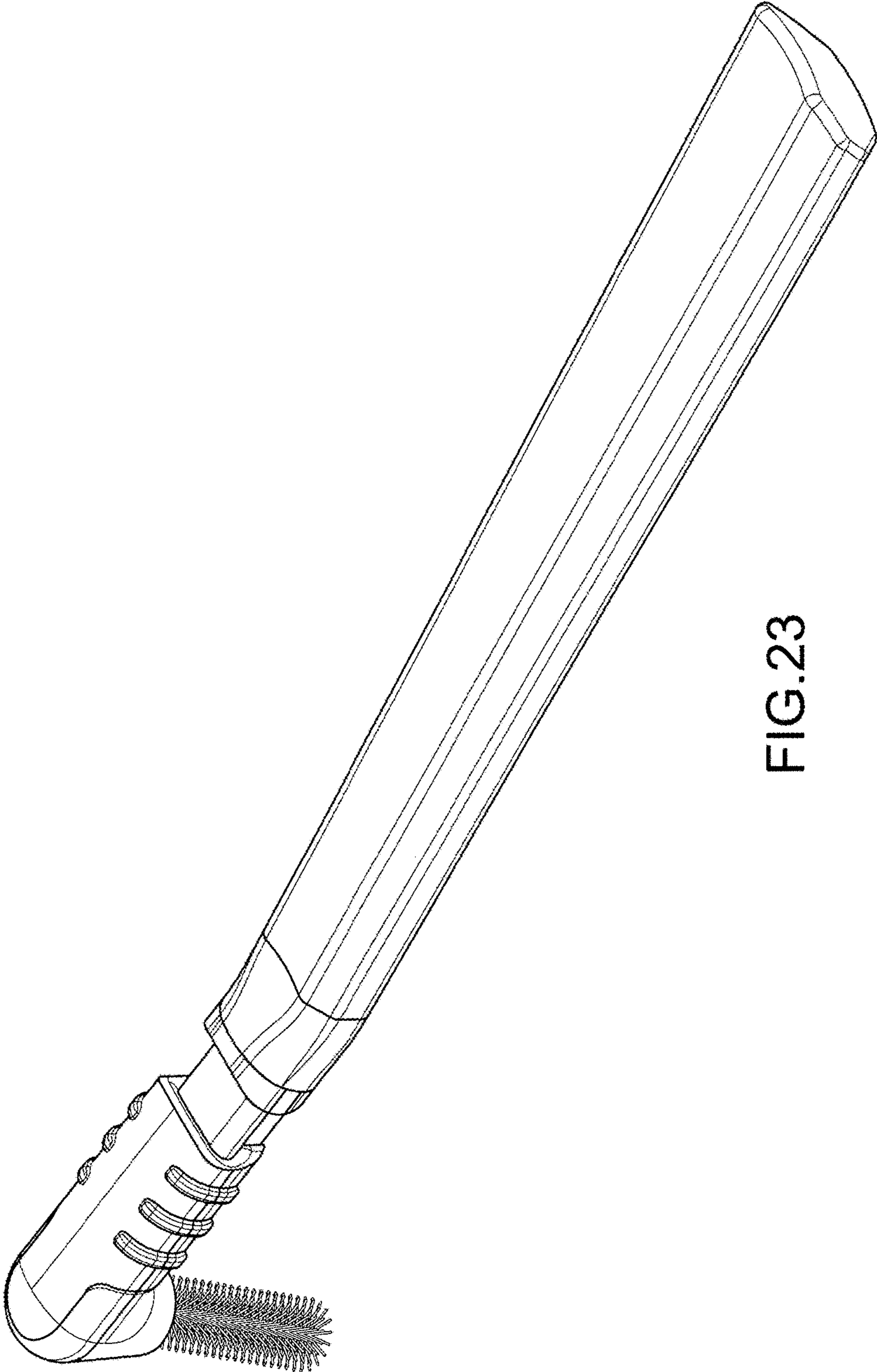


FIG. 23

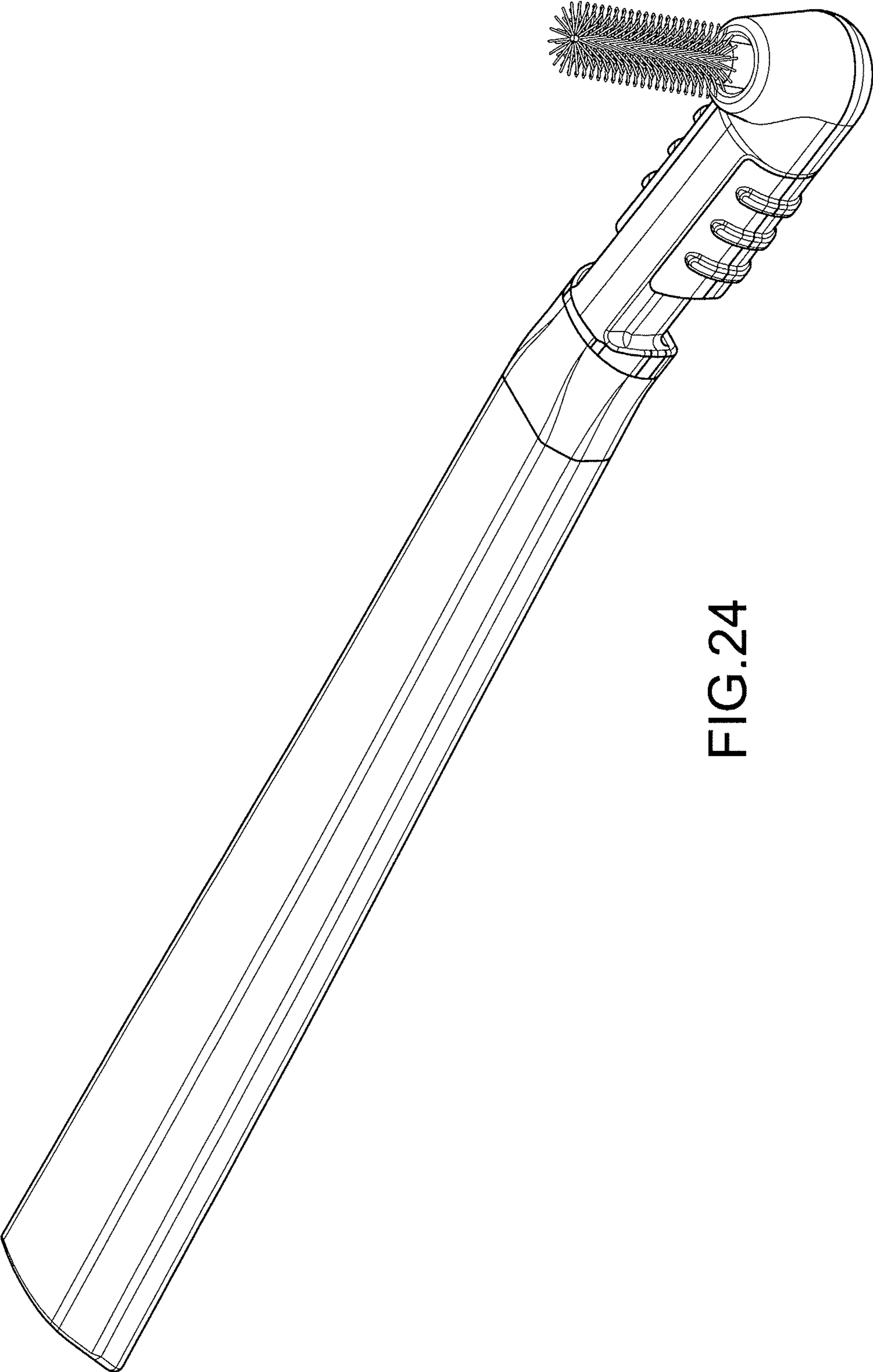


FIG.24

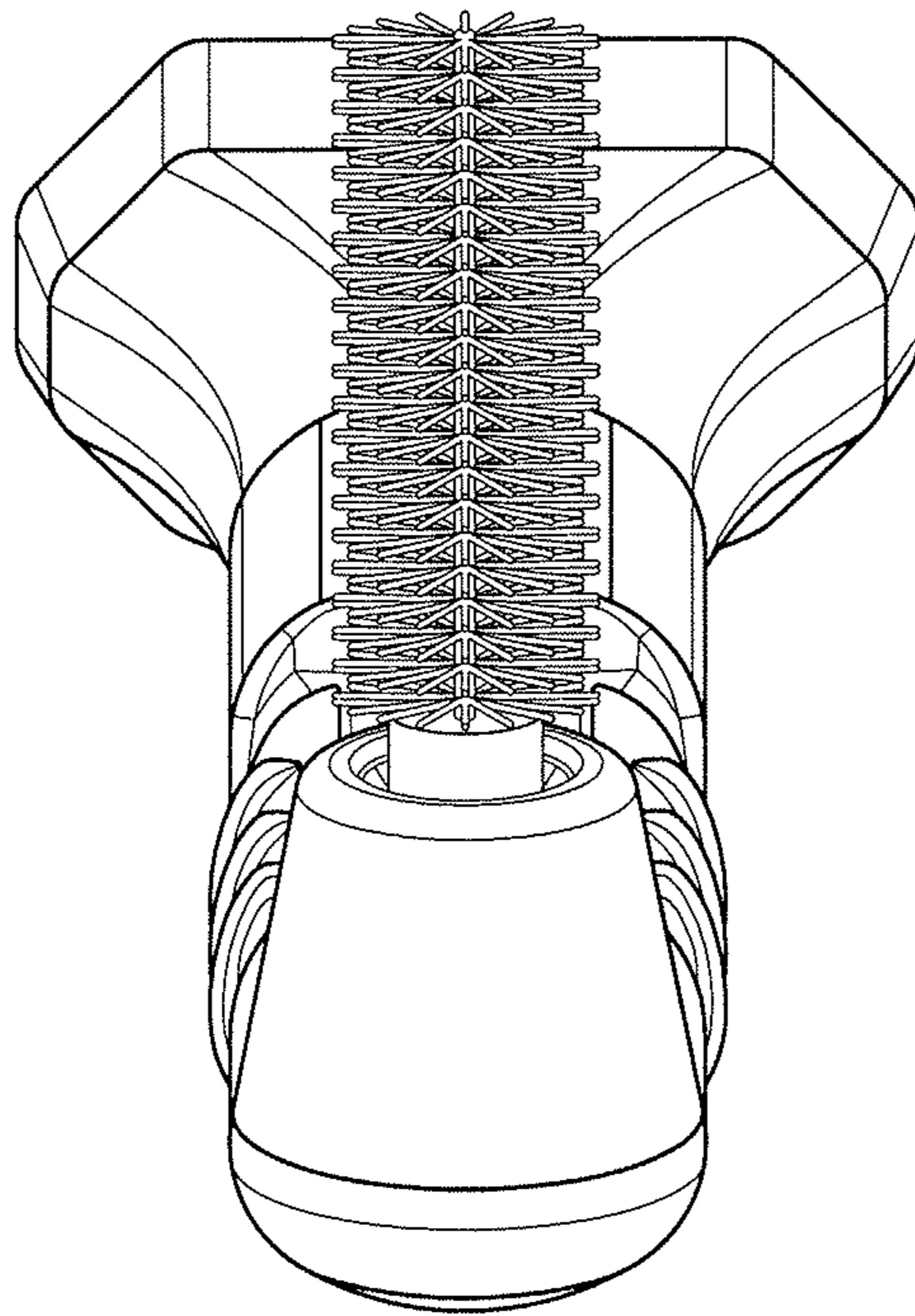


FIG.25

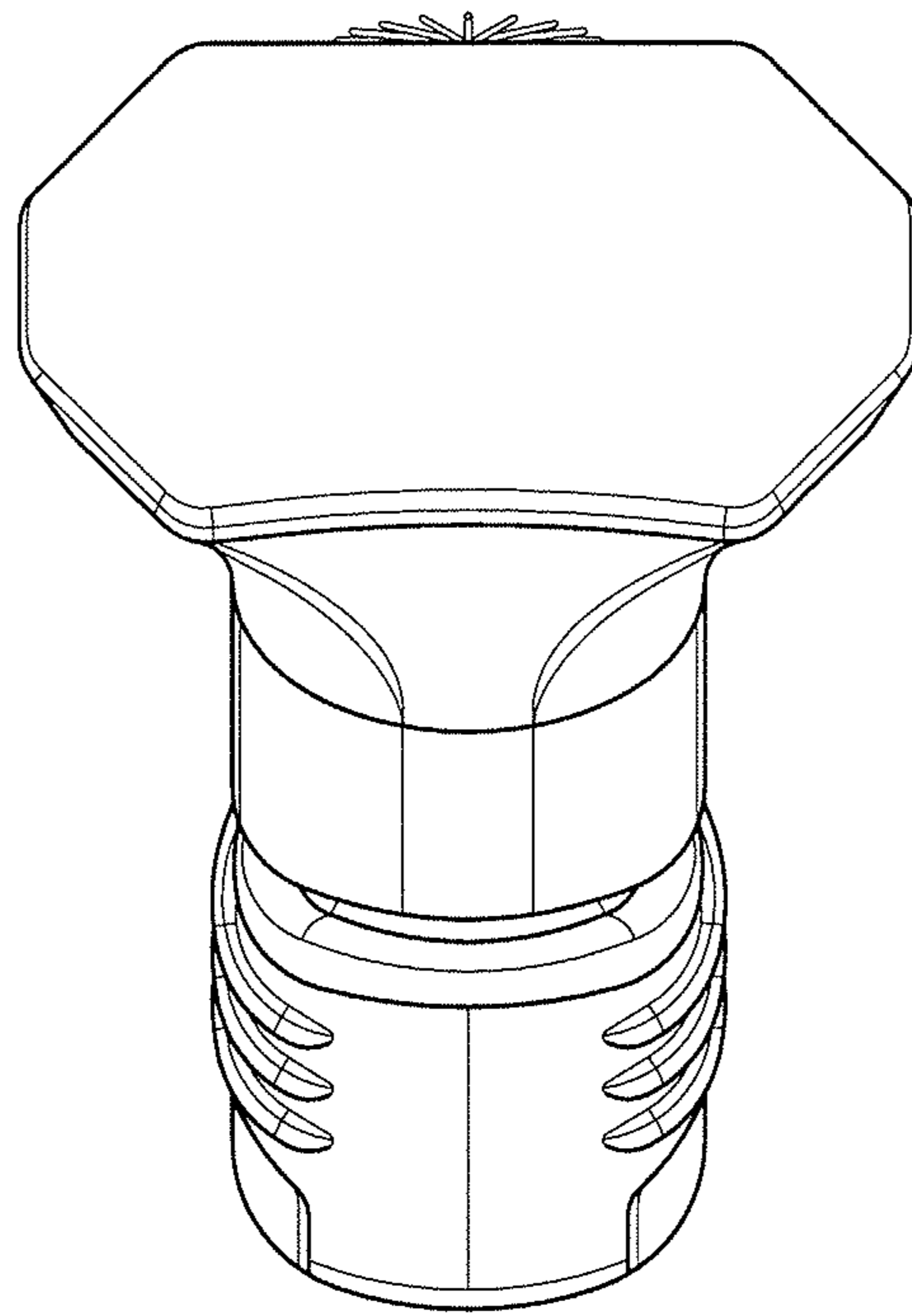


FIG.26

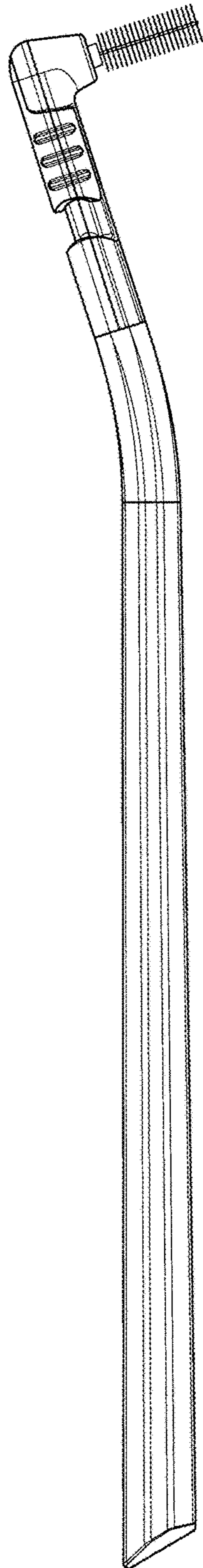


FIG.27

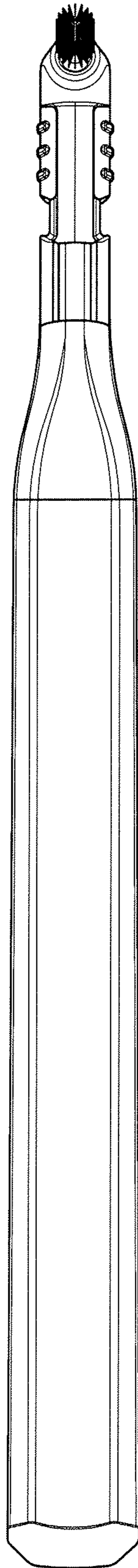


FIG.28

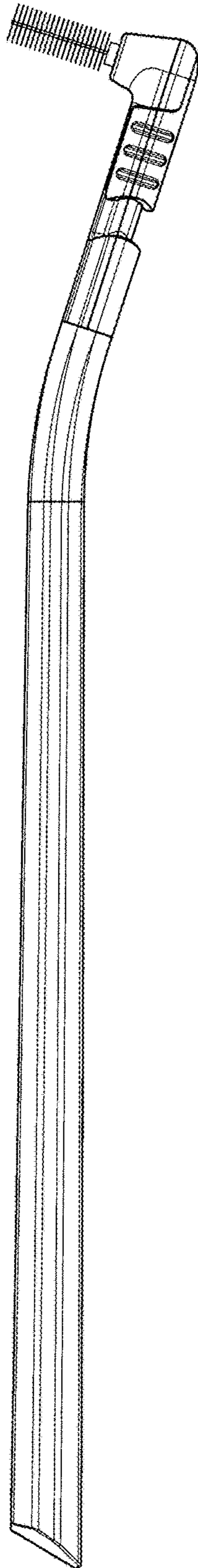


FIG.29

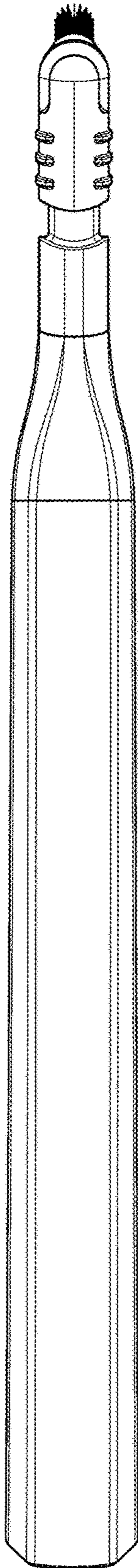


FIG.30

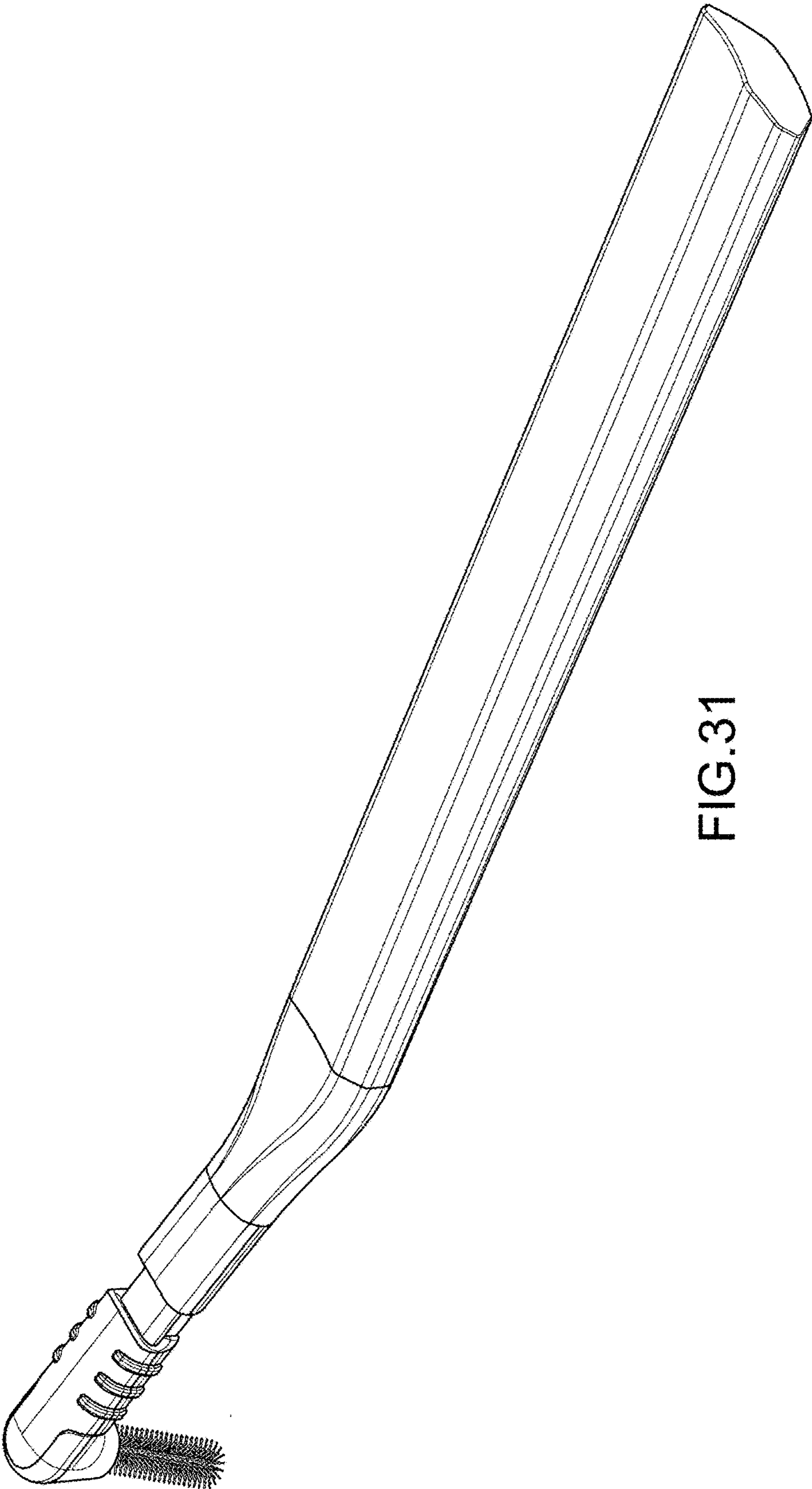


FIG.31

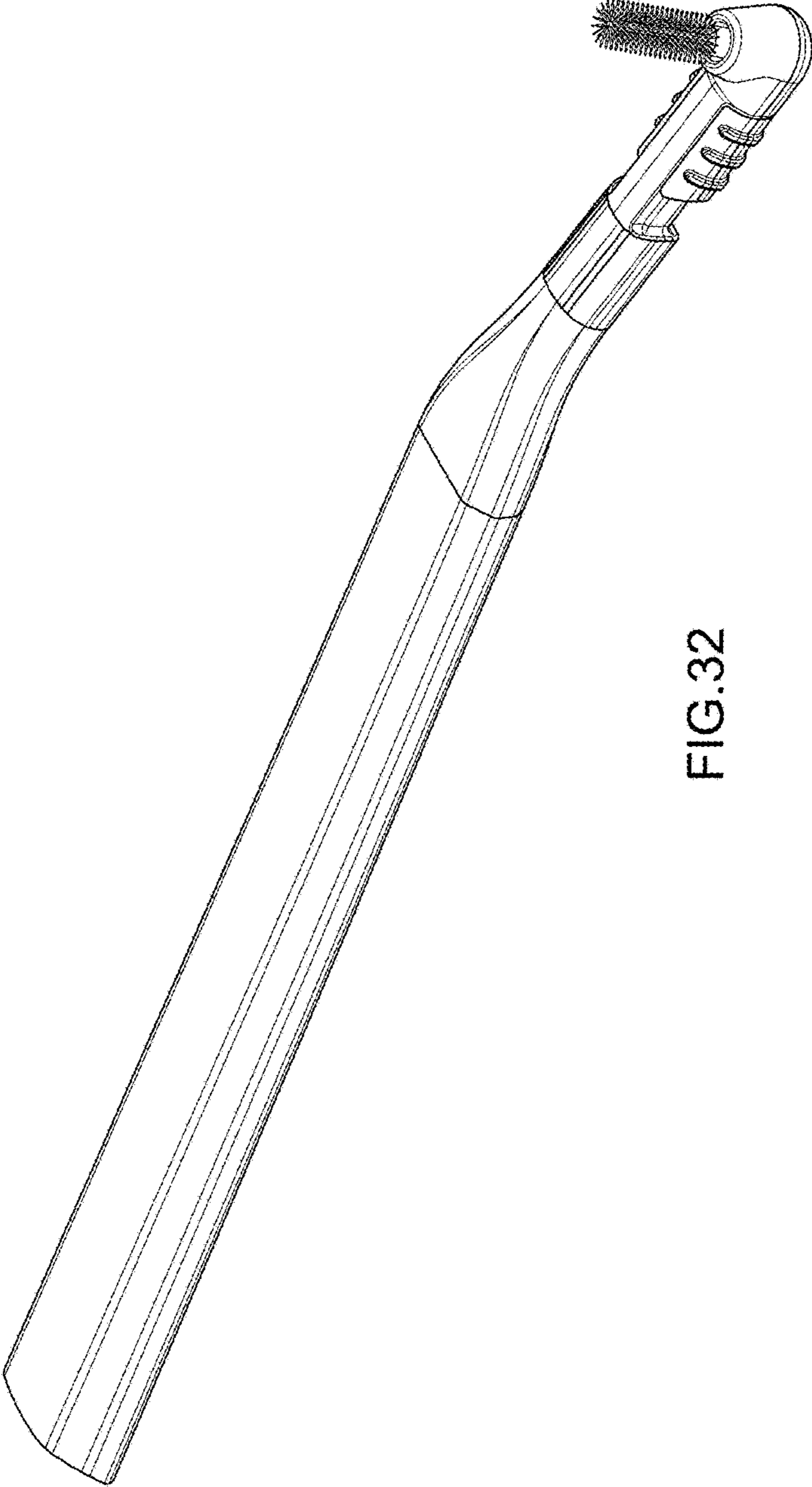


FIG.32