



US00D805199S

(12) **United States Design Patent** (10) **Patent No.:** **US D805,199 S**
Chen et al. (45) **Date of Patent:** **** Dec. 12, 2017**

(54) **TATTOO TUBE**
(71) Applicants: **Michael Chen**, Baldwin Park, CA (US);
Wen Wei, Baldwin Park, CA (US);
Billy Chen, Baldwin Park, CA (US)
(72) Inventors: **Michael Chen**, Baldwin Park, CA (US);
Wen Wei, Baldwin Park, CA (US);
Billy Chen, Baldwin Park, CA (US)

D551,707 S 9/2007 Neuenschwander et al.
8,228,666 B2 7/2012 Rickard
D677,790 S 3/2013 Little et al.
D686,728 S 7/2013 Chen et al.
D691,263 S 10/2013 Chen et al.
D696,923 S 1/2014 Ichikawa
D723,685 S 3/2015 Myers
D737,972 S * 9/2015 Chen A61M 37/0076
D24/133
2002/0083798 A1 7/2002 Godoy et al.
(Continued)

(73) Assignee: **IMPORTLA, LLC**, Baldwin Park, CA (US)

(**) Term: **14 Years**
(21) Appl. No.: **29/526,325**
(22) Filed: **May 8, 2015**

OTHER PUBLICATIONS

Wrath Vortex GEN2 25mm Disposable Tubes on Killerink dated 2016. found online [Dec. 22, 2016] https://www.killerinktattoo.co.uk/box-of-20-wrath-vortex-gen2-25mm-disposable-tubes-flat.*
(Continued)

Primary Examiner — Brandon M Rosati
Assistant Examiner — Marissa J Cash
(74) *Attorney, Agent, or Firm* — Hankin Patent Law, APC; Kevin Schraven; Lindsey Auerbach

Related U.S. Application Data

(62) Division of application No. 29/425,317, filed on Jun. 21, 2012, now Pat. No. Des. 737,972.
(51) **LOC (10) Cl.** **24-02**
(52) **U.S. Cl.**
USPC **D24/146**; D24/133
(58) **Field of Classification Search**
USPC D24/127, 133, 140, 144, 145, 146, 147;
606/167, 184, 185, 186; D8/8, 303;
D19/174, 199
CPC A61B 1/05; A61B 1/07; A61B 17/1671;
A61B 17/1617
See application file for complete search history.

(57) **CLAIM**

The ornamental design for a tattoo tube, as shown and described.

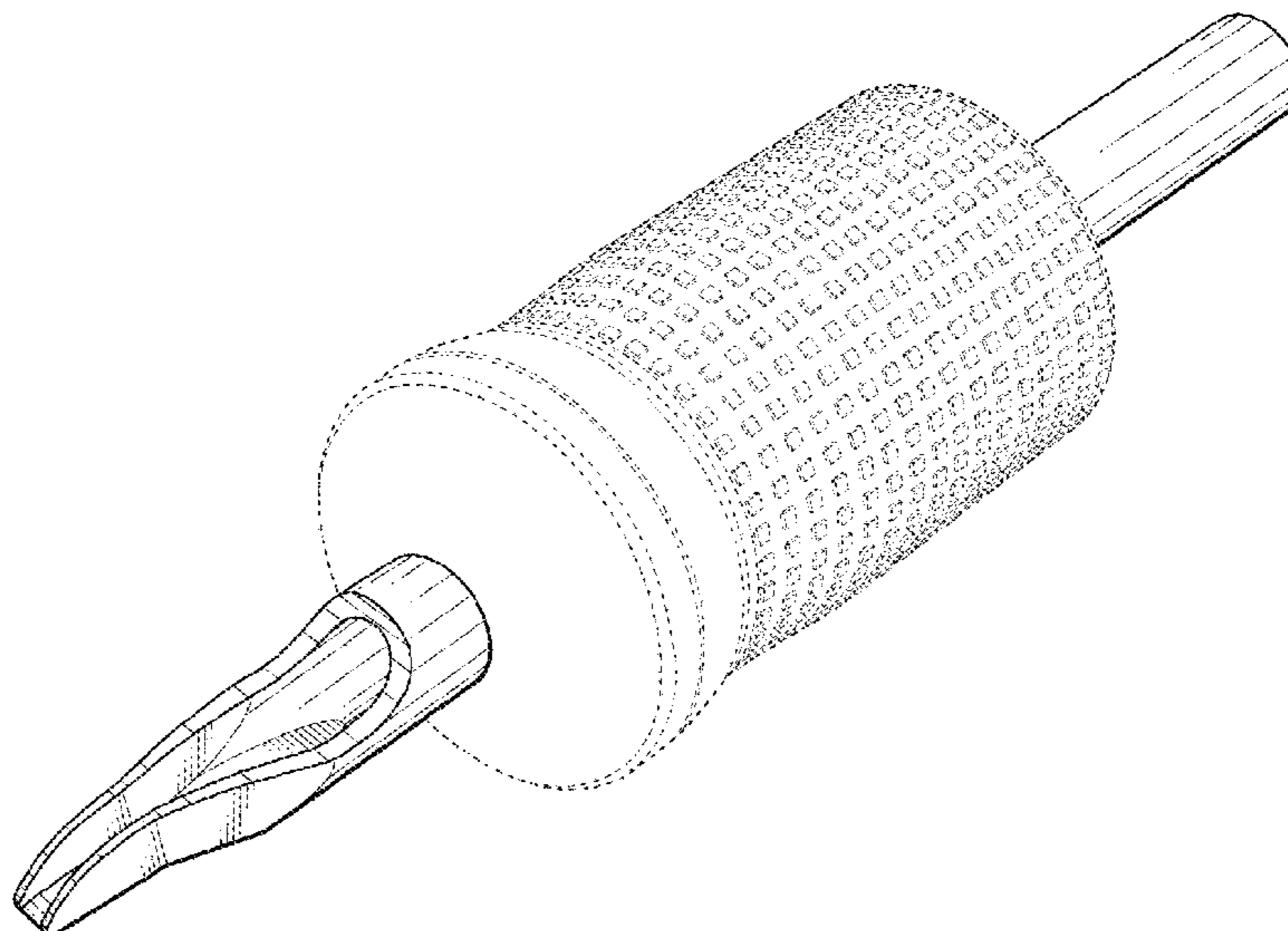
DESCRIPTION

FIG. 1 is a perspective view of a tattoo tube showing our new design;
FIG. 2 is a side elevational view thereof;
FIG. 3 is a top view thereof;
FIG. 4 is an underside view thereof;
FIG. 5 is a front elevational view thereof; and,
FIG. 6 is a rear elevational view thereof.
The dashed broken lines are for the purpose of illustrating environment related to the claimed design and form no part of the claimed designs.

(56) **References Cited**
U.S. PATENT DOCUMENTS

4,159,659 A 7/1979 Nightingale
D294,519 S 3/1988 Hardy, Jr.
D380,046 S 6/1997 Domanowski
6,251,108 B1 6/2001 Irion et al.
6,550,356 B1 4/2003 Underwood

1 Claim, 5 Drawing Sheets



(56)

References Cited

U.S. PATENT DOCUMENTS

2009/0090218 A1 4/2009 Jarboe et al.
2010/0154597 A1 6/2010 South
2012/0209307 A1 8/2012 Snijders
2012/0265232 A1 10/2012 Surbone
2014/0025099 A1 1/2014 Morrison
2015/0202420 A1* 7/2015 Miller A61M 37/0076
606/186

OTHER PUBLICATIONS

Memory Foam Touch Disposable Tubes by Nuclear Tattoo Supply dated 2016. found online [Dec. 22, 2016] <http://store.nucleartattoo.com/tubes-grips/disposable-tubes/memory-foam-touch.html>.*

AliExpress Magnum Mag Flt Tattoo Grip Tip and Tube. dated Jun. 27, 2016. found online [Dec. 22, 2016] https://www.aliexpress.com/store/product/FREEE-SHIPPING-Disposable-tube-MAGNUM-MAG-FLAT-TATTOO-GRIP-TIP-TUBE-23-25-35-39-F/914960_1262340121.html.*

Wrathtubes by TatSoul. dated 2015. found online [Dec. 22, 2016] http://www.tatsoul.com/supplies/tattoo-tubes-tips-grips-c-291/wrath-tubes-c-291_305/.*

Stainless Steel Combo by Bicknee Tattoo Supply Company. Dated 2013. found online [Jan. 6, 2017] <http://bicknee.com/shoppingcart/78-stainless-steel-combo-individual-p-1645.html>.*

Office Action of U.S. Appl. No. 29/425,317, dated Mar. 26, 2015, 7 pages.

* cited by examiner

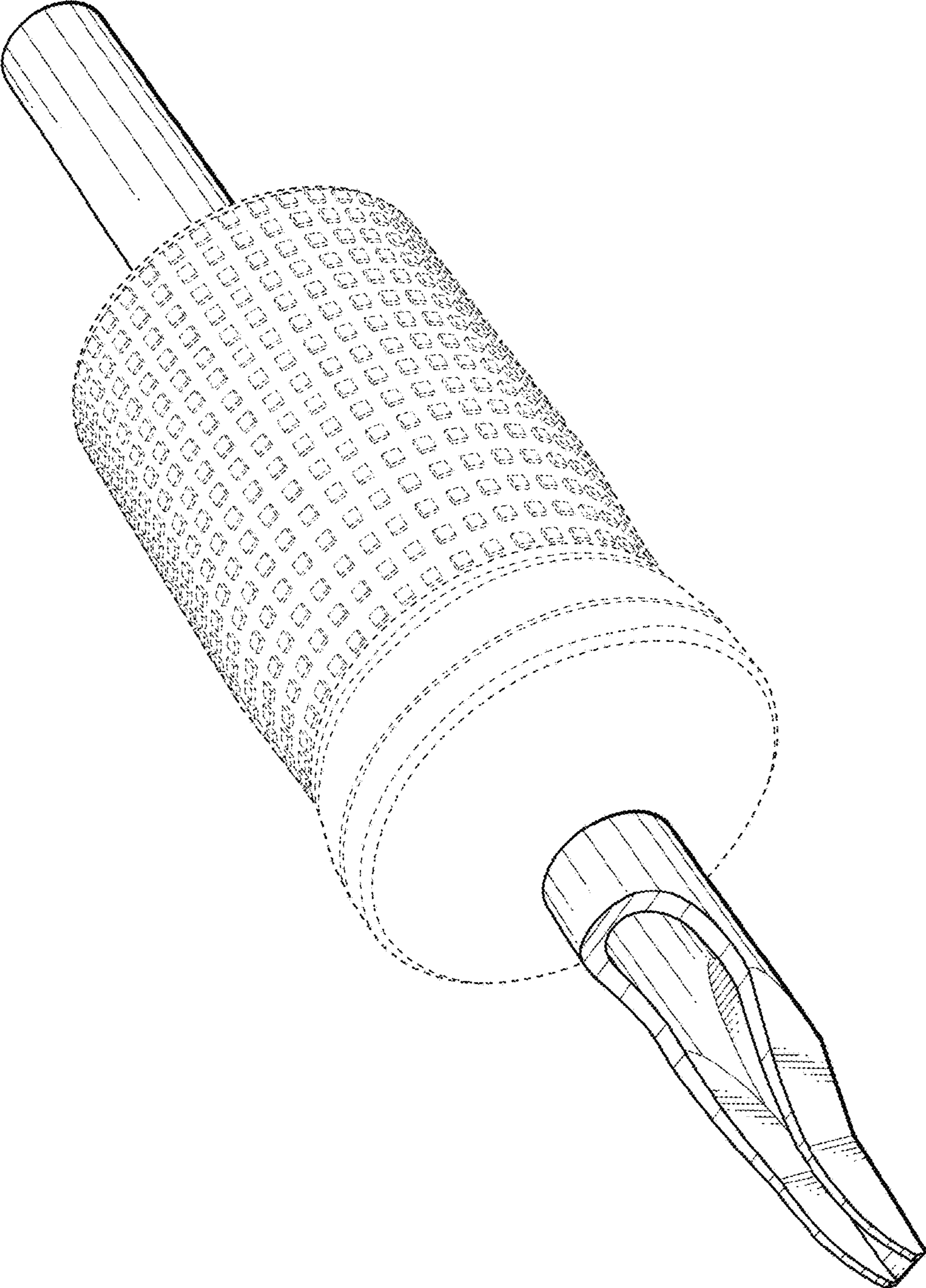


Fig. 1

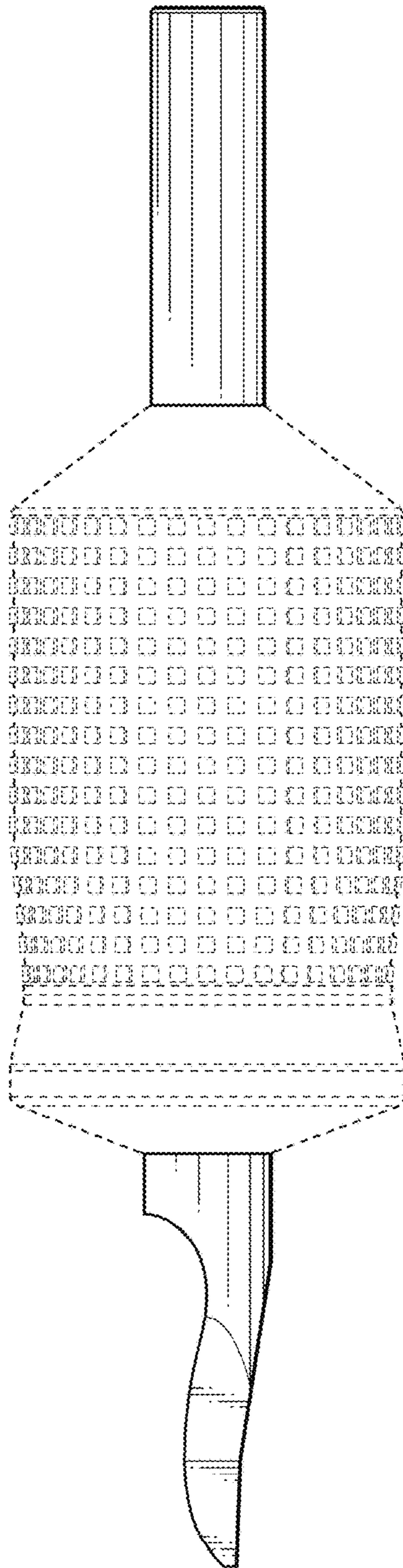


Fig. 2

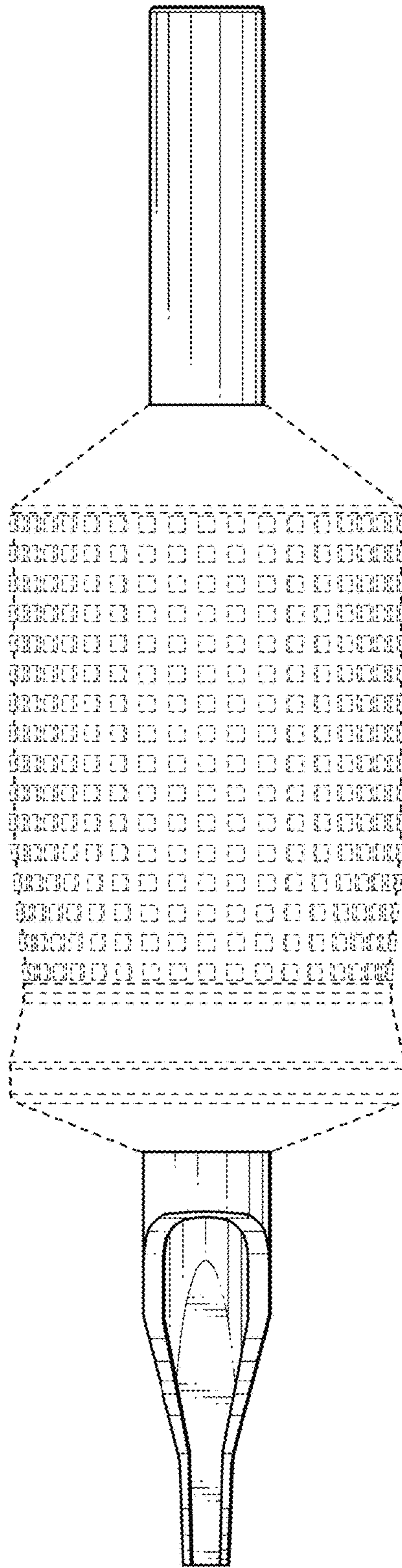


Fig. 3



Fig. 4

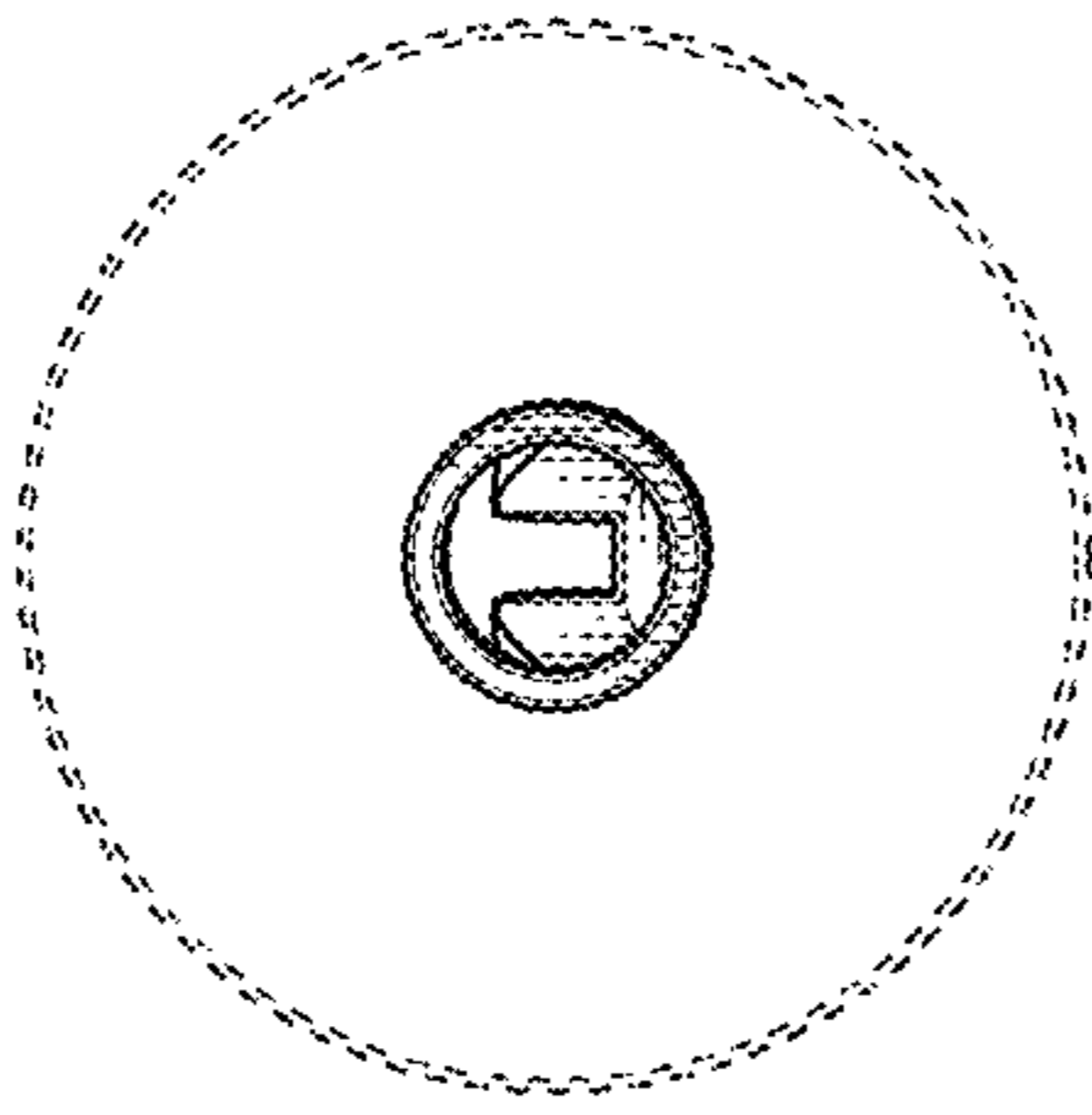


Fig. 6

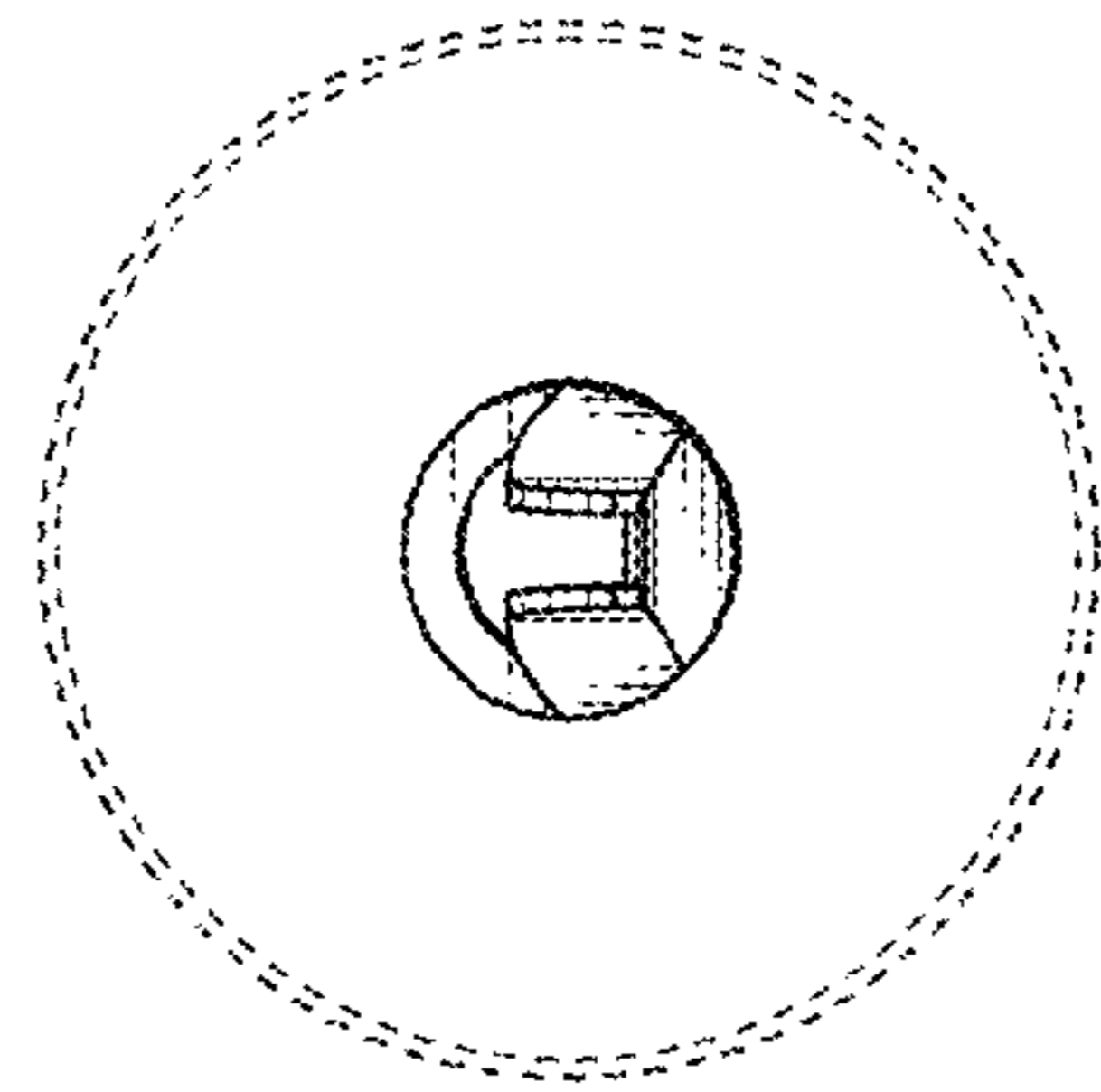


Fig. 5