



US00D805197S

(12) **United States Design Patent** (10) **Patent No.:** **US D805,197 S**
Lee (45) **Date of Patent:** **** Dec. 12, 2017**

(54) **TATTOOING APPARATUS**
(71) Applicant: **BOMTECH ELECTRONICS CO. LTD.**, Seocho-gu, Seoul (KR)
(72) Inventor: **Jong-dae Lee**, Seoul (KR)
(73) Assignee: **BOMTECH ELECTRONICS CO., LTD.**, Seoul (KR)

(**) Term: **15 Years**
(21) Appl. No.: **29/564,196**
(22) Filed: **May 11, 2016**

(30) **Foreign Application Priority Data**
Nov. 30, 2015 (KR) 30-2015-0060503
(51) **LOC (10) Cl.** **24-02**
(52) **U.S. Cl.**
USPC **D24/144**
(58) **Field of Classification Search**
USPC D24/144, 146; D28/7
CPC A61M 37/0076; A61M 37/0084; A61M 37/00; A61M 37/0092; A61M 5/46; A61M 5/48; A61M 5/482; A61M 5/2466; A61M 5/588; A61B 2017/00473
See application file for complete search history.

(56) **References Cited**
U.S. PATENT DOCUMENTS
D364,923 S * 12/1995 Chou D24/144
7,380,480 B1 * 6/2008 Chen A61M 37/0076
604/198
D638,939 S * 5/2011 Eikhoff D24/144
8,668,663 B2 * 3/2014 Kluge A61M 37/0076
604/22
8,794,109 B2 * 8/2014 Lee A61M 37/0084
81/9.22
8,920,379 B2 * 12/2014 Lee A61M 37/0076
604/173

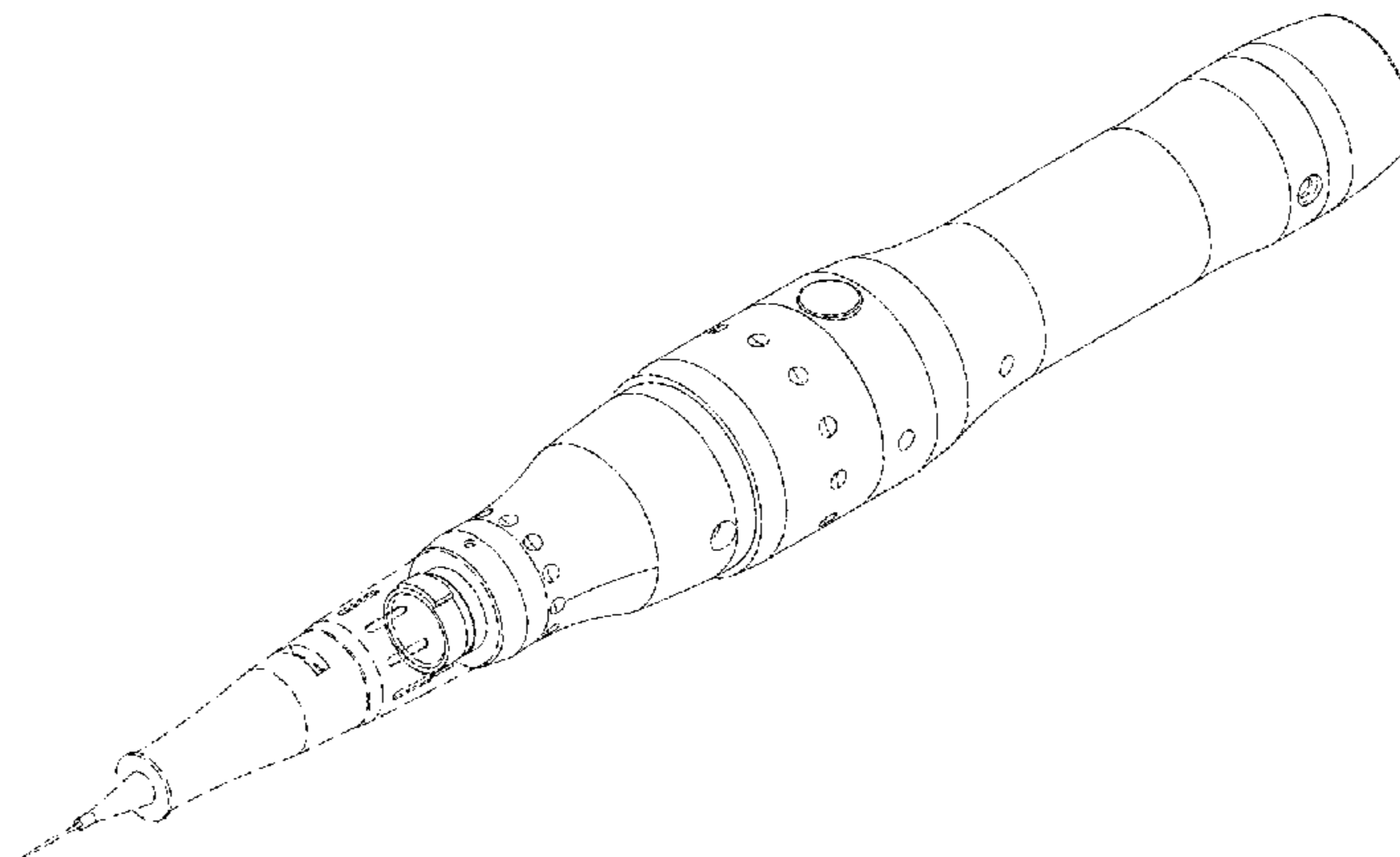
9,114,239 B2 * 8/2015 Lee A61M 37/0076
9,259,561 B2 * 2/2016 Lee A61M 37/0084
2003/0195542 A1 * 10/2003 Lee A61M 37/0076
606/186
2007/0060937 A1 * 3/2007 Liu A61M 37/0076
606/185
2008/0306502 A1 * 12/2008 Lisec A61M 37/0076
606/186
2016/0354592 A1 * 12/2016 Juan A61M 37/0076
2017/0072177 A1 * 3/2017 Oscar A61M 37/0084

* cited by examiner
Primary Examiner — Wan Laymon
(74) *Attorney, Agent, or Firm* — Ohlandt, Greeley, Ruggiero & Perle, LLP

(57) **CLAIM**
The ornamental design for a tattooing apparatus, as shown and described.

DESCRIPTION
FIG. 1 is a top, right side perspective view of a tattooing apparatus according to the present disclosure;
FIG. 2 is a front plan view of the tattooing apparatus of FIG. 1;
FIG. 3 is a rear plan view of the tattooing apparatus of FIG. 1;
FIG. 4 is a left side plan view of the tattooing apparatus of FIG. 1;
FIG. 5 is a right side plan view of the tattooing apparatus of FIG. 1;
FIG. 6 is a top planar view of the tattooing apparatus of FIG. 1;
FIG. 7 is a bottom plan view of the tattooing apparatus of FIG. 1; and,
FIG. 8 is a top, right side perspective view of the tattooing apparatus of FIG. 1 with a needle cartridge illustrated in broken lines.
The broken lines illustrate environmental structure or boundaries that form no part of the claimed design.

1 Claim, 8 Drawing Sheets



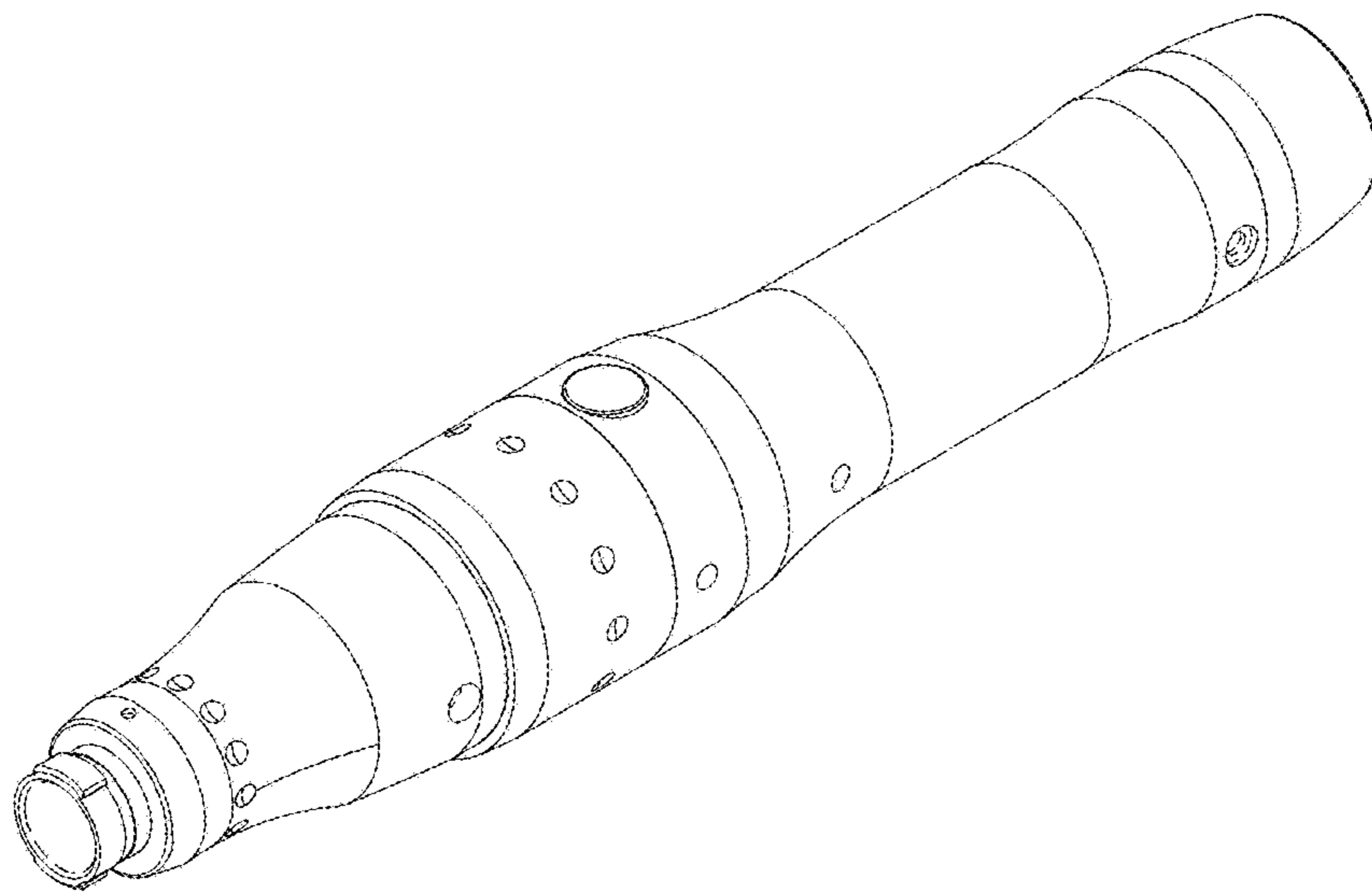


FIG. 1

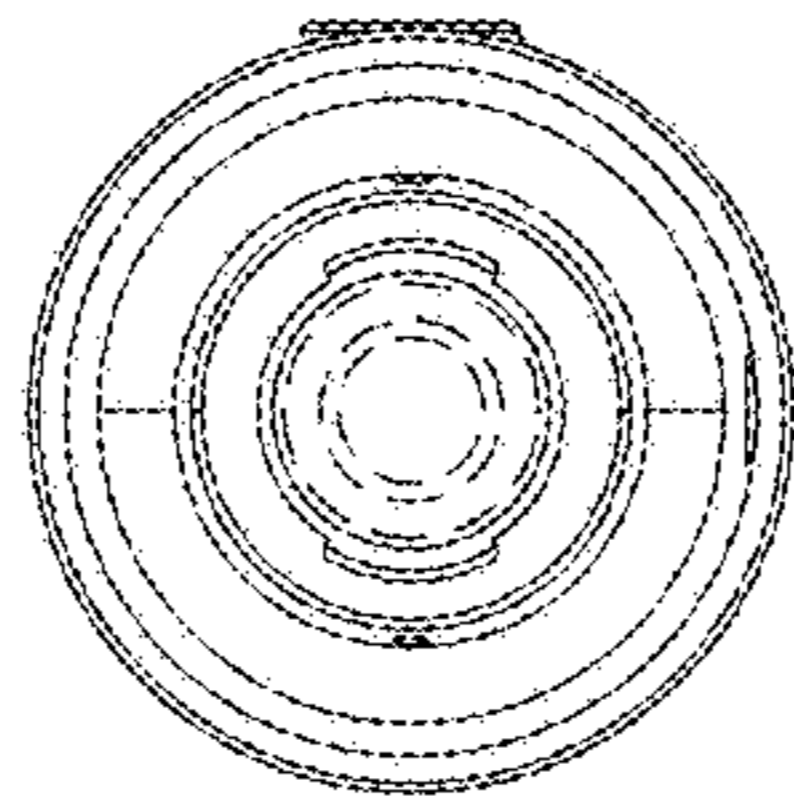


FIG. 2

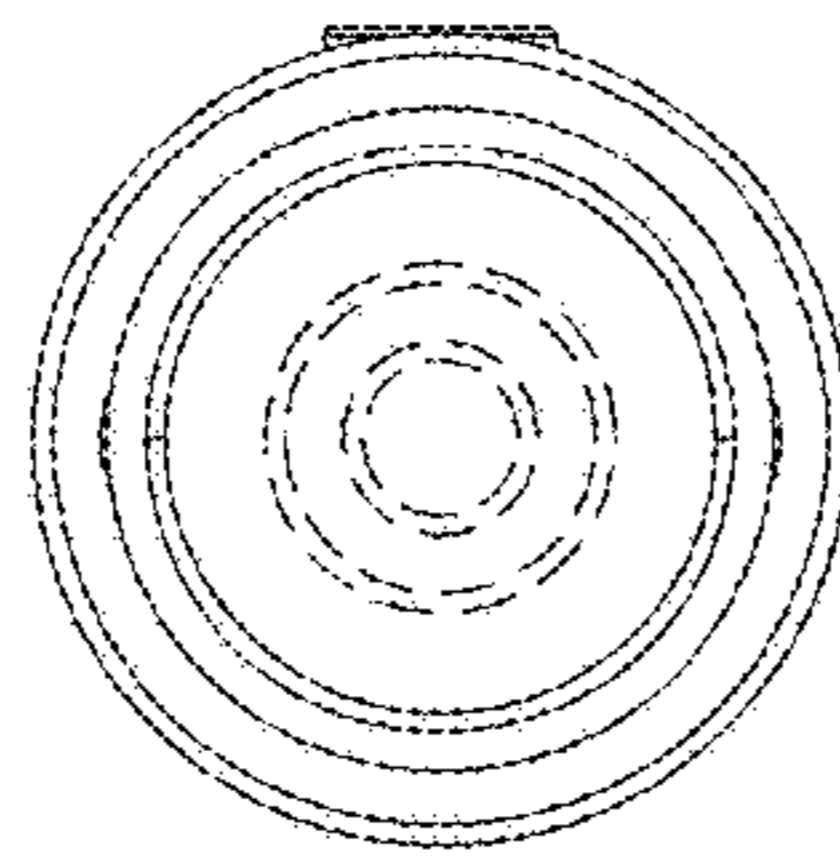


FIG. 3

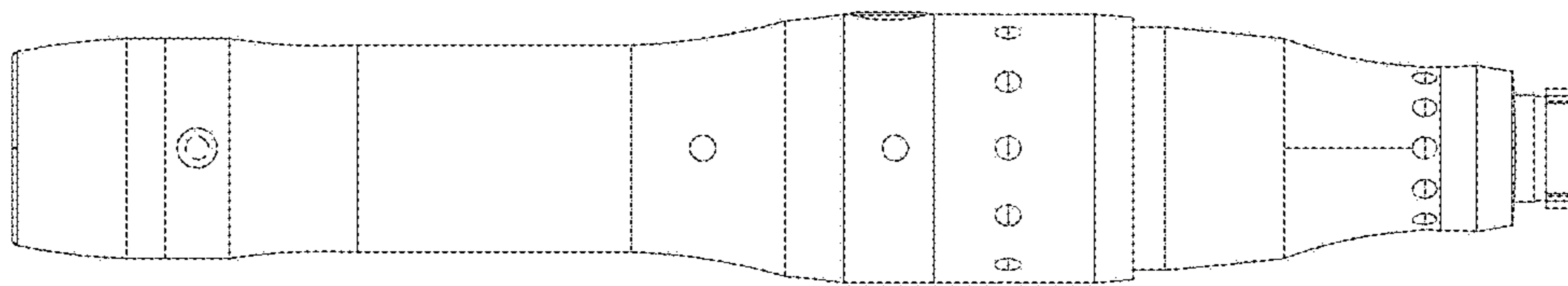


FIG. 4

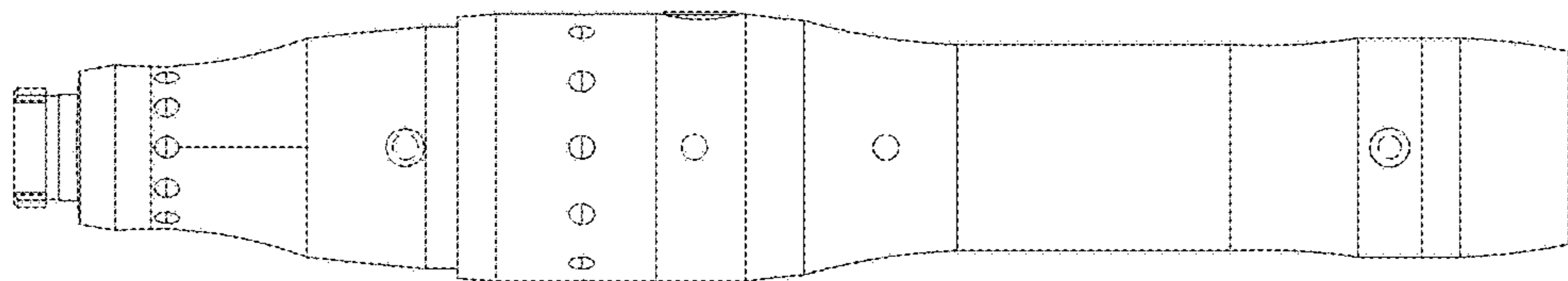


FIG. 5

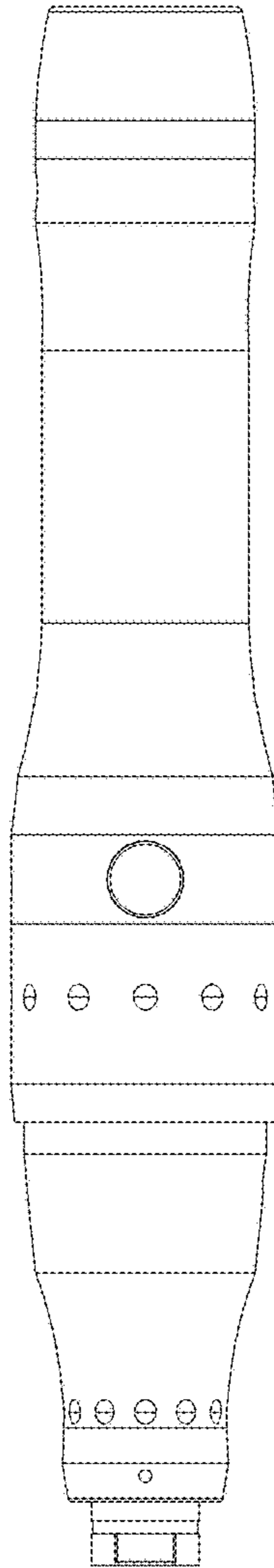


FIG. 6

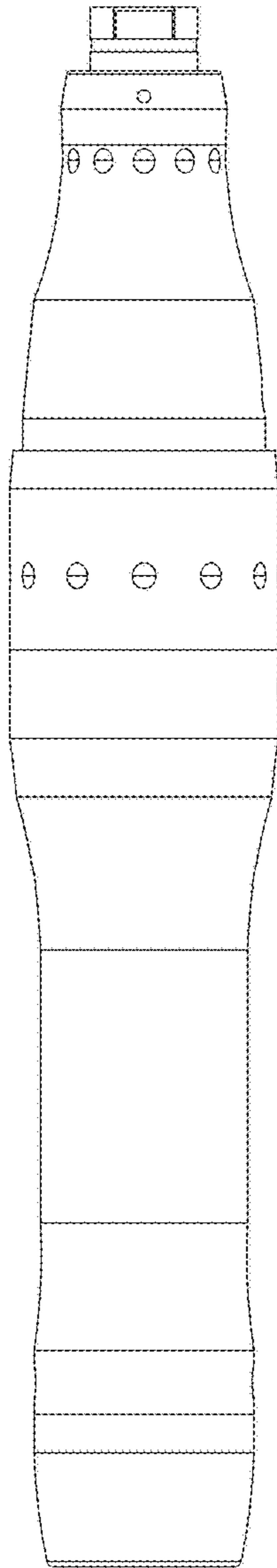


FIG. 7

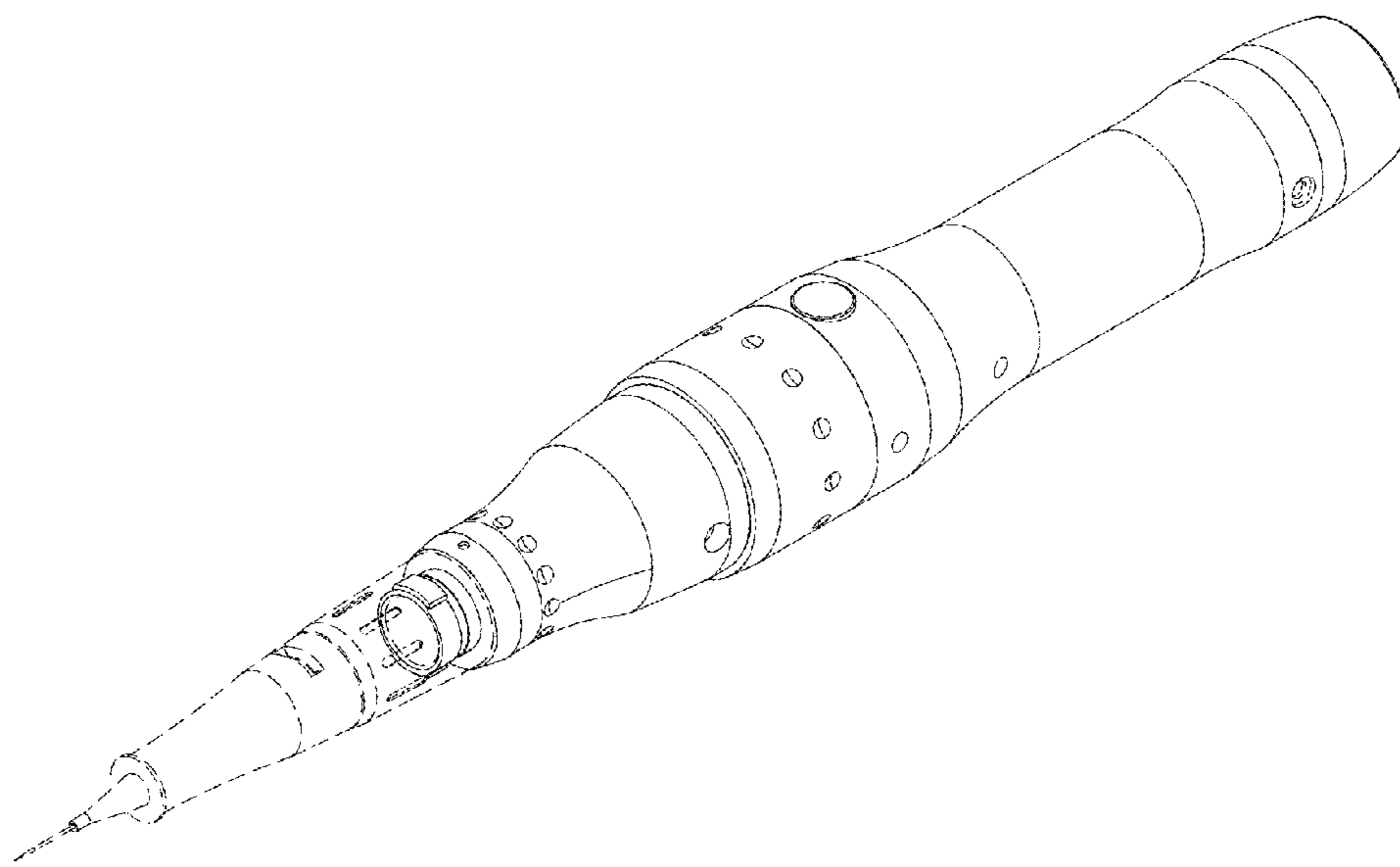


FIG. 8