



US00D805196S

(12) **United States Design Patent** (10) **Patent No.:** **US D805,196 S**  
**Lee** (45) **Date of Patent:** **\*\* Dec. 12, 2017**

(54) **TATTOOING APPARATUS**

(71) Applicant: **BOMTECH ELECTRONICS CO., LTD.**, Seoul (KR)

(72) Inventor: **Jong-dae Lee**, Seoul (KR)

(73) Assignee: **BOMTECH ELECTRONICS CO., LTD.**, Seoul (KR)

(\*\*) Term: **15 Years**

(21) Appl. No.: **29/563,248**

(22) Filed: **May 3, 2016**

(30) **Foreign Application Priority Data**

Mar. 10, 2016 (KR) ..... 30-2016-0011206

(51) **LOC (10) Cl.** ..... **24-02**

(52) **U.S. Cl.**  
USPC ..... **D24/144**

(58) **Field of Classification Search**  
USPC ..... D24/144, 146; D28/7  
CPC ..... A61M 37/0076; A61M 37/0084; A61M 37/00; A61M 37/0092; A61M 5/46; A61M 5/48; A61M 5/482; A61M 5/2466; A61M 5/588; A61B 2017/00473  
See application file for complete search history.

(56) **References Cited**

**U.S. PATENT DOCUMENTS**

D364,923 S *	12/1995	Chou	.....	D24/144
7,380,480 B1 *	6/2008	Chen	.....	A61M 37/0076 604/198
D638,939 S *	5/2011	Eikhoff	.....	D24/144
8,668,663 B2 *	3/2014	Kluge	.....	A61M 37/0076 604/22
8,794,109 B2 *	8/2014	Lee	.....	A61M 37/0084 81/9.22
8,920,379 B2 *	12/2014	Lee	.....	A61M 37/0076 604/173

9,114,239 B2 *	8/2015	Lee	.....	A61M 37/0076
9,259,561 B2 *	2/2016	Lee	.....	A61M 37/0084
2003/0195542 A1 *	10/2003	Lee	.....	A61M 37/0076 606/186
2007/0060937 A1 *	3/2007	Liu	.....	A61M 37/0076 606/185
2008/0306502 A1 *	12/2008	Lisec	.....	A61M 37/0076 606/186
2016/0354592 A1 *	12/2016	Juan	.....	A61M 37/0076
2017/0072177 A1 *	3/2017	Oscar	.....	A61M 37/0084

\* cited by examiner

*Primary Examiner* — Wan Laymon

(74) *Attorney, Agent, or Firm* — Ohlandt, Greeley, Ruggiero & Perle, LLP

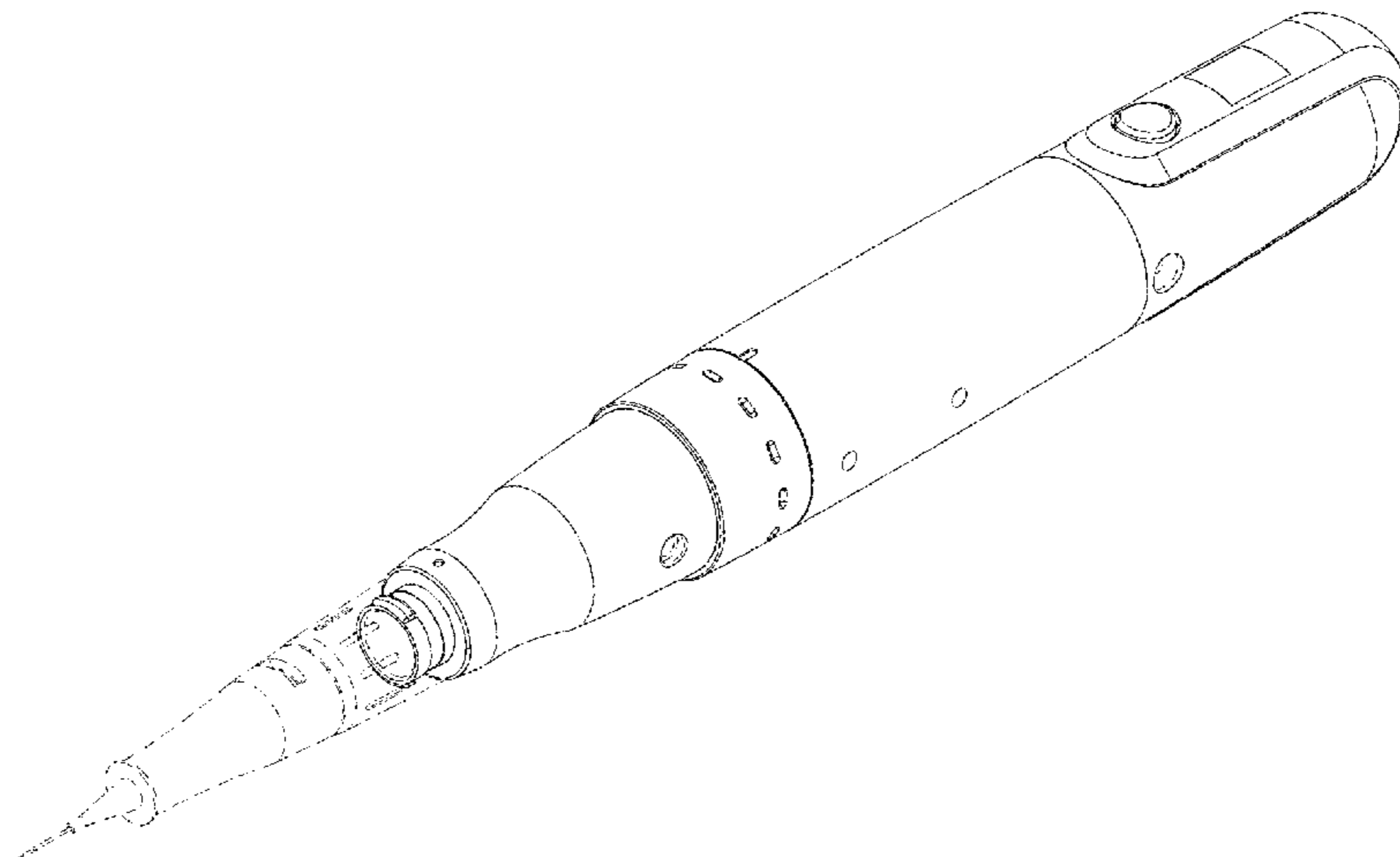
(57) **CLAIM**

The ornamental design for a tattooing apparatus, as shown and described.

**DESCRIPTION**

FIG. 1 is a front, right side perspective view of a tattooing apparatus according to the present disclosure;  
 FIG. 2 is a front plan view of the tattooing apparatus of FIG. 1;  
 FIG. 3 is a rear plan view of the tattooing apparatus of FIG. 1;  
 FIG. 4 is a left side plan view of the tattooing apparatus of FIG. 1;  
 FIG. 5 is a right side plan view of the tattooing apparatus of FIG. 1;  
 FIG. 6 is a top plan view of the tattooing apparatus of FIG. 1;  
 FIG. 7 is a bottom plan view of the tattooing apparatus of FIG. 1; and,  
 FIG. 8 is a front, right side perspective view of the embodiment of the tattooing apparatus of FIG. 1 with a needle cartridge illustrated in broken lines.  
 The broken lines illustrate environmental structure or boundaries that form no part of the claimed design.

**1 Claim, 8 Drawing Sheets**



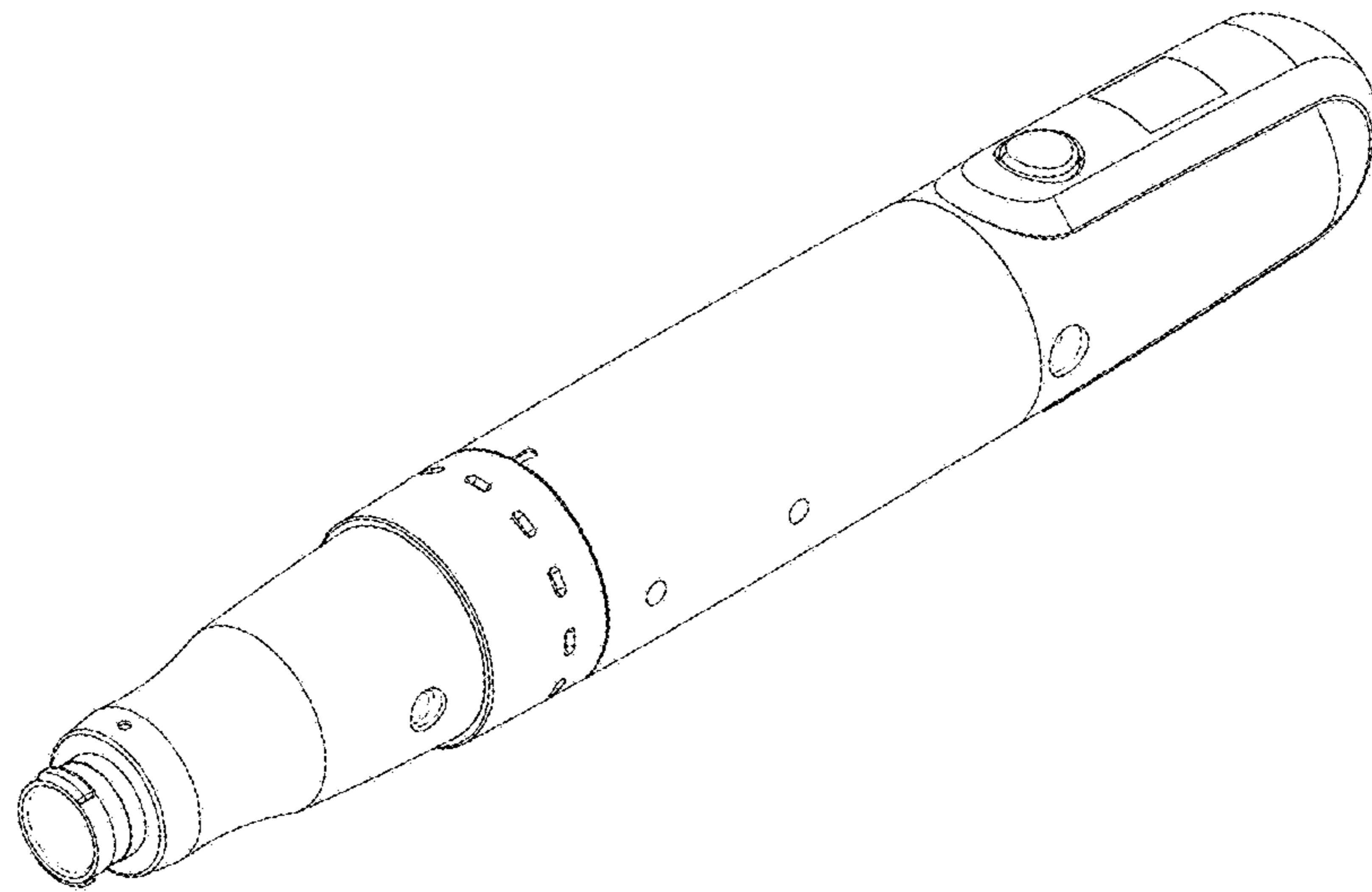
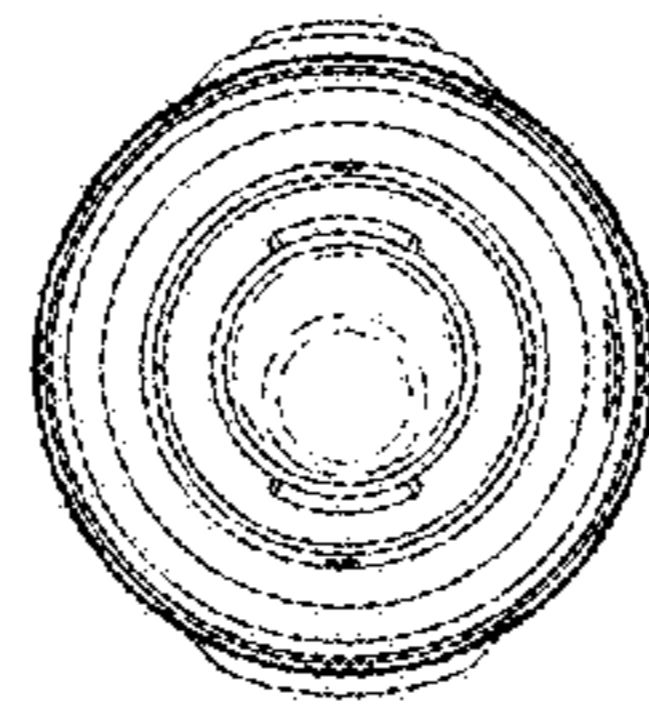
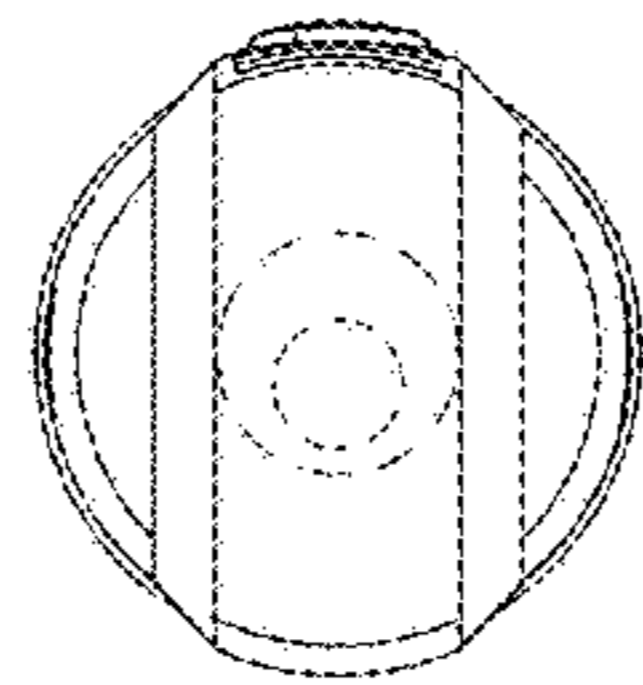


FIG. 1



*FIG. 2*



*FIG. 3*

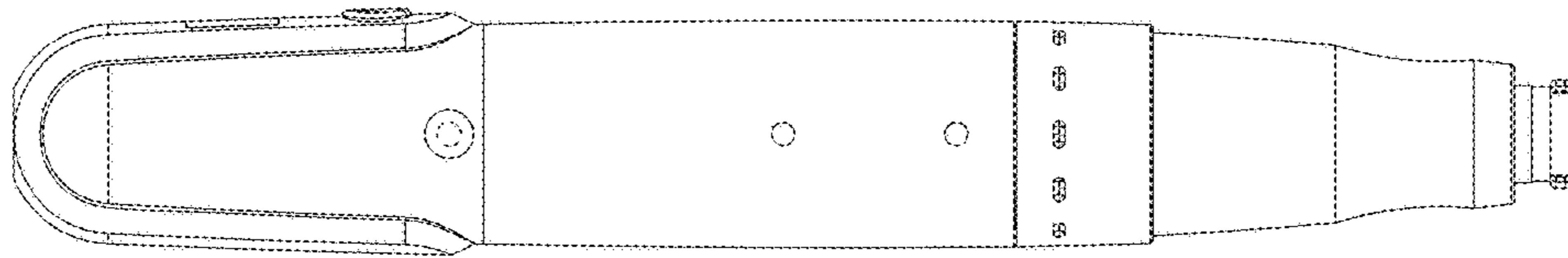


FIG. 4

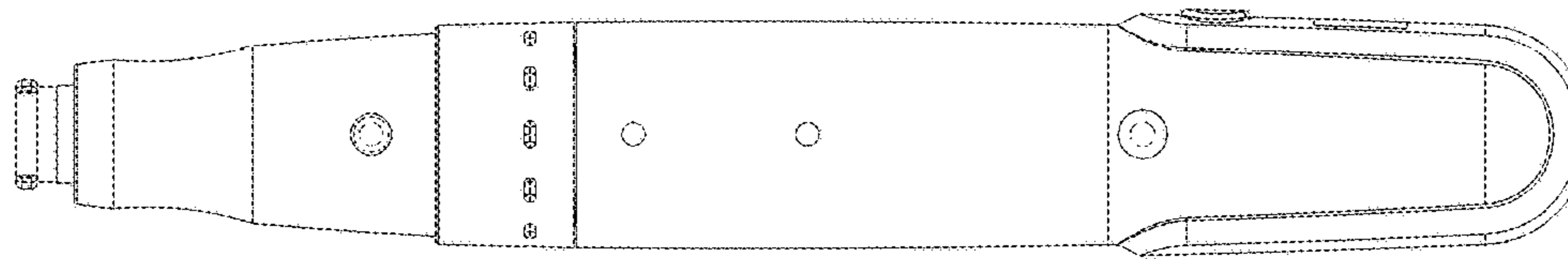


FIG. 5

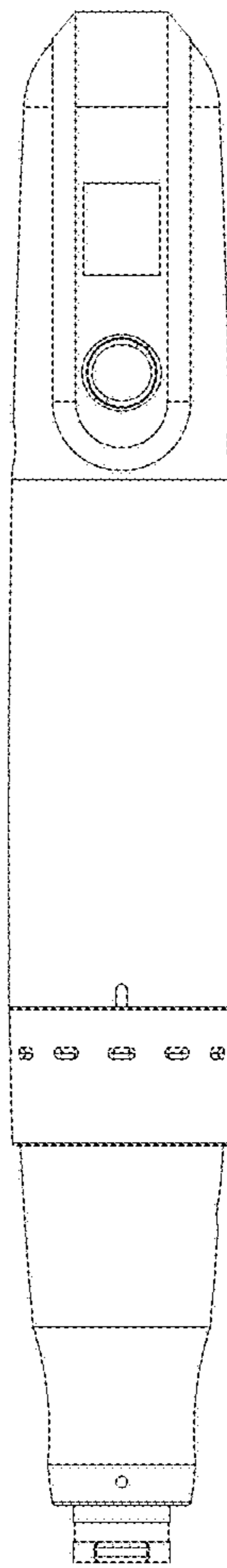


FIG. 6

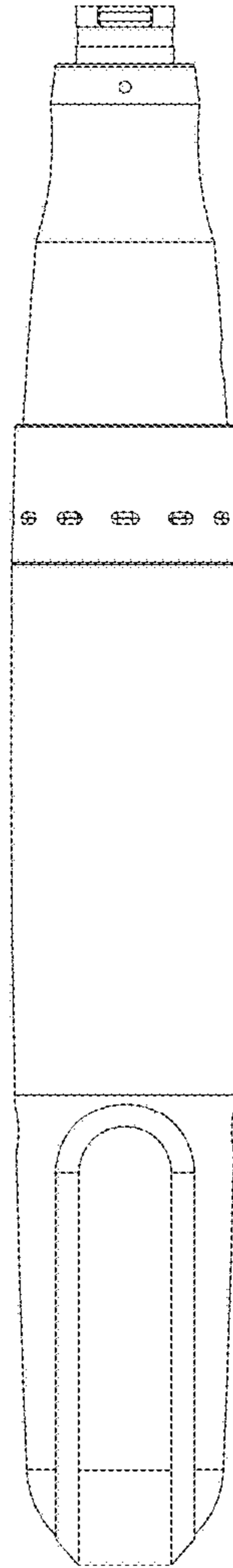


FIG. 7



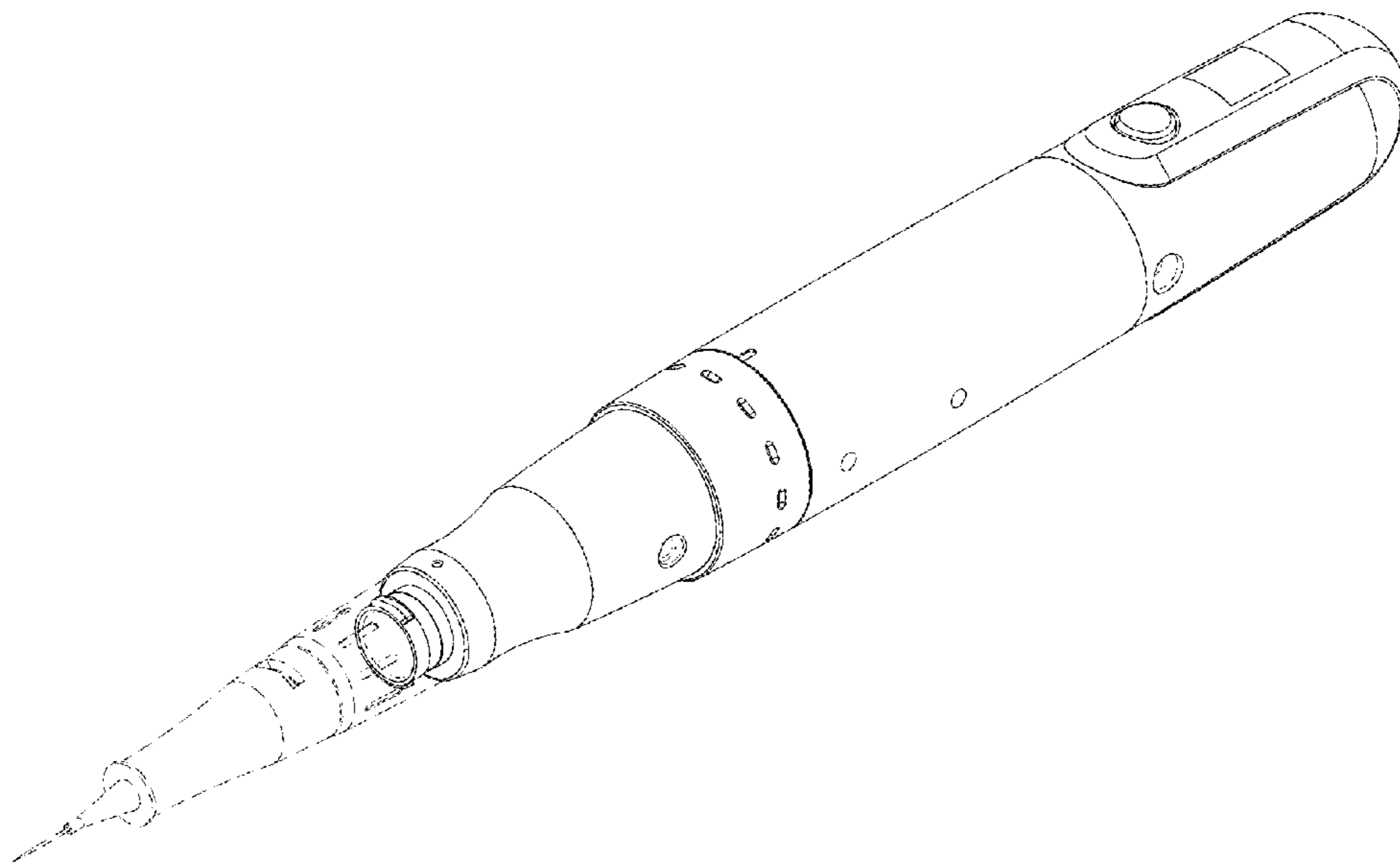


FIG. 8