



US00D805195S

(12) **United States Design Patent** (10) **Patent No.:** **US D805,195 S**
Lee (45) **Date of Patent:** **** Dec. 12, 2017**

(54) **TATTOOING APPARATUS**
 (71) Applicant: **Bomtech Electronics Co., Ltd.**, Seoul (KR)
 (72) Inventor: **Jong-dae Lee**, Seoul (KR)
 (73) Assignee: **BOMTECH ELECTRONICS CO., LTD.**, Seoul (KR)

9,114,239 B2 * 8/2015 Lee A61M 37/0076
 9,259,561 B2 * 2/2016 Lee A61M 37/0084
 2003/0195542 A1 * 10/2003 Lee A61M 37/0076
 606/186
 2007/0060937 A1 * 3/2007 Liu A61M 37/0076
 606/185
 2008/0306502 A1 * 12/2008 Lisec A61M 37/0076
 606/186
 2016/0354592 A1 * 12/2016 Juan A61M 37/0076
 2017/0072177 A1 * 3/2017 Oscar A61M 37/0084

(**) Term: **15 Years**
 (21) Appl. No.: **29/550,779**
 (22) Filed: **Jan. 7, 2016**

* cited by examiner
Primary Examiner — Wan Laymon
 (74) *Attorney, Agent, or Firm* — Ohlandt, Greeley, Ruggiero & Perle, LLP

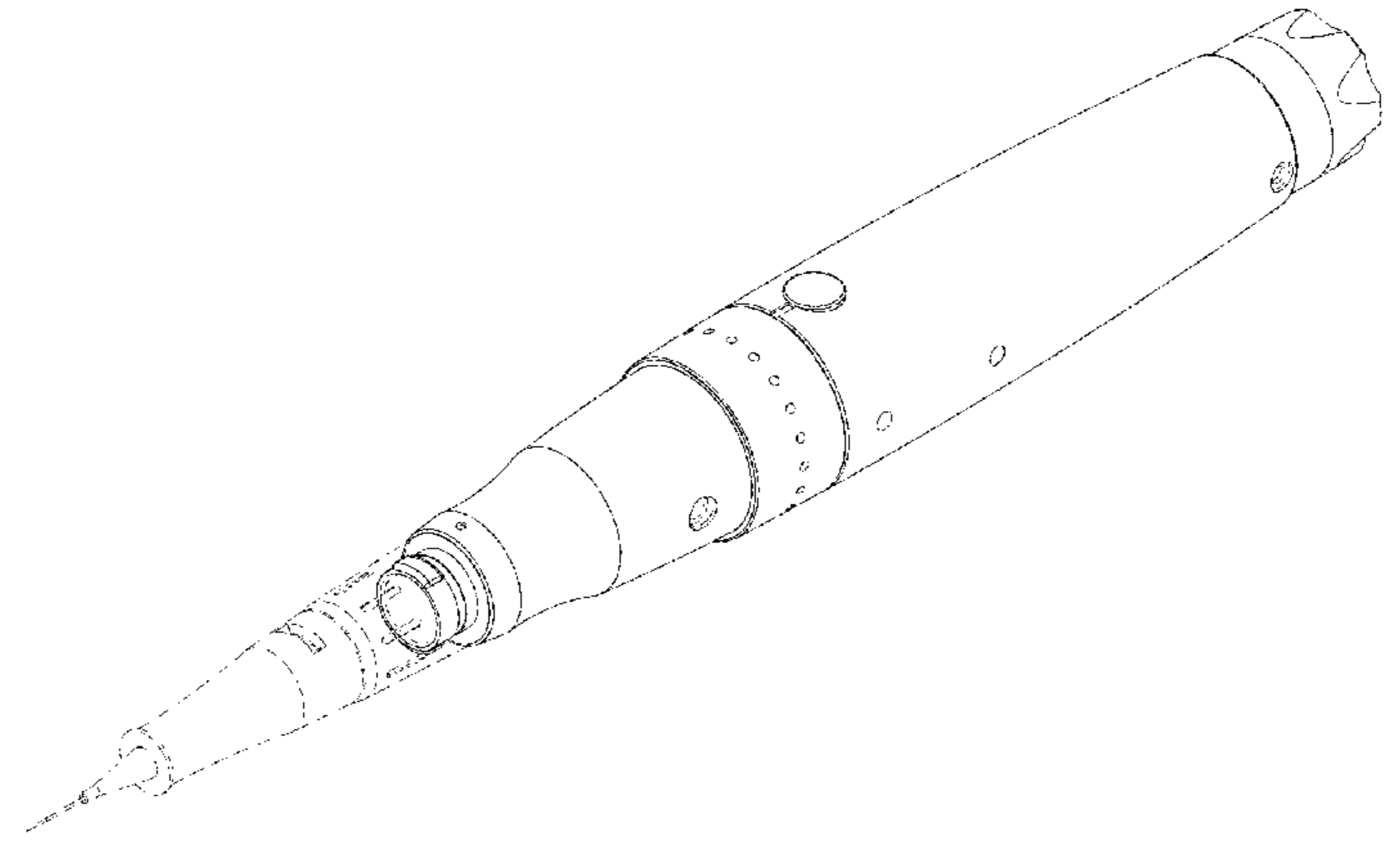
(30) **Foreign Application Priority Data**
 Aug. 26, 2015 (KR) 30-2015-0042991
 (51) **LOC (10) Cl.** **24-02**
 (52) **U.S. Cl.**
 USPC **D24/144**
 (58) **Field of Classification Search**
 USPC D24/144, 146; D28/7
 CPC A61M 37/0076; A61M 37/0084; A61M 37/00;
 A61M 37/0092; A61M 5/46; A61M 5/48;
 A61M 5/482; A61M 5/2466; A61M 5/588;
 A61B 2017/00473
 See application file for complete search history.

(57) **CLAIM**
 The ornamental design for a tattooing apparatus, as shown and described.

(56) **References Cited**
 U.S. PATENT DOCUMENTS
 D364,923 S * 12/1995 Chou D24/144
 7,380,480 B1 * 6/2008 Chen A61M 37/0076
 604/198
 D638,939 S * 5/2011 Eikhoff D24/144
 8,668,663 B2 * 3/2014 Kluge A61M 37/0076
 604/22
 8,794,109 B2 * 8/2014 Lee A61M 37/0084
 81/9.22
 8,920,379 B2 * 12/2014 Lee A61M 37/0076
 604/173

DESCRIPTION
 FIG. 1 illustrates a front-right side perspective view of a tattooing apparatus of the present invention.
 FIG. 2 illustrates a front plane view of the tattooing apparatus of FIG. 1.
 FIG. 3 illustrates a rear plane view of the tattooing apparatus of FIG. 1.
 FIG. 4 illustrates a left side view of the tattooing apparatus of FIG. 1.
 FIG. 5 illustrates a right side view of the tattooing apparatus of FIG. 1.
 FIG. 6 illustrates a top plane view of the tattooing apparatus of FIG. 1.
 FIG. 7 illustrates a bottom plane view of the tattooing apparatus of FIG. 1; and,
 FIG. 8 illustrates the front-right side perspective view of the tattooing apparatus of FIG. 1 showing a needle cartridge shown in broken lines.
 The broken lines illustrate environmental structure or boundaries that form no part of the claimed design.

1 Claim, 8 Drawing Sheets



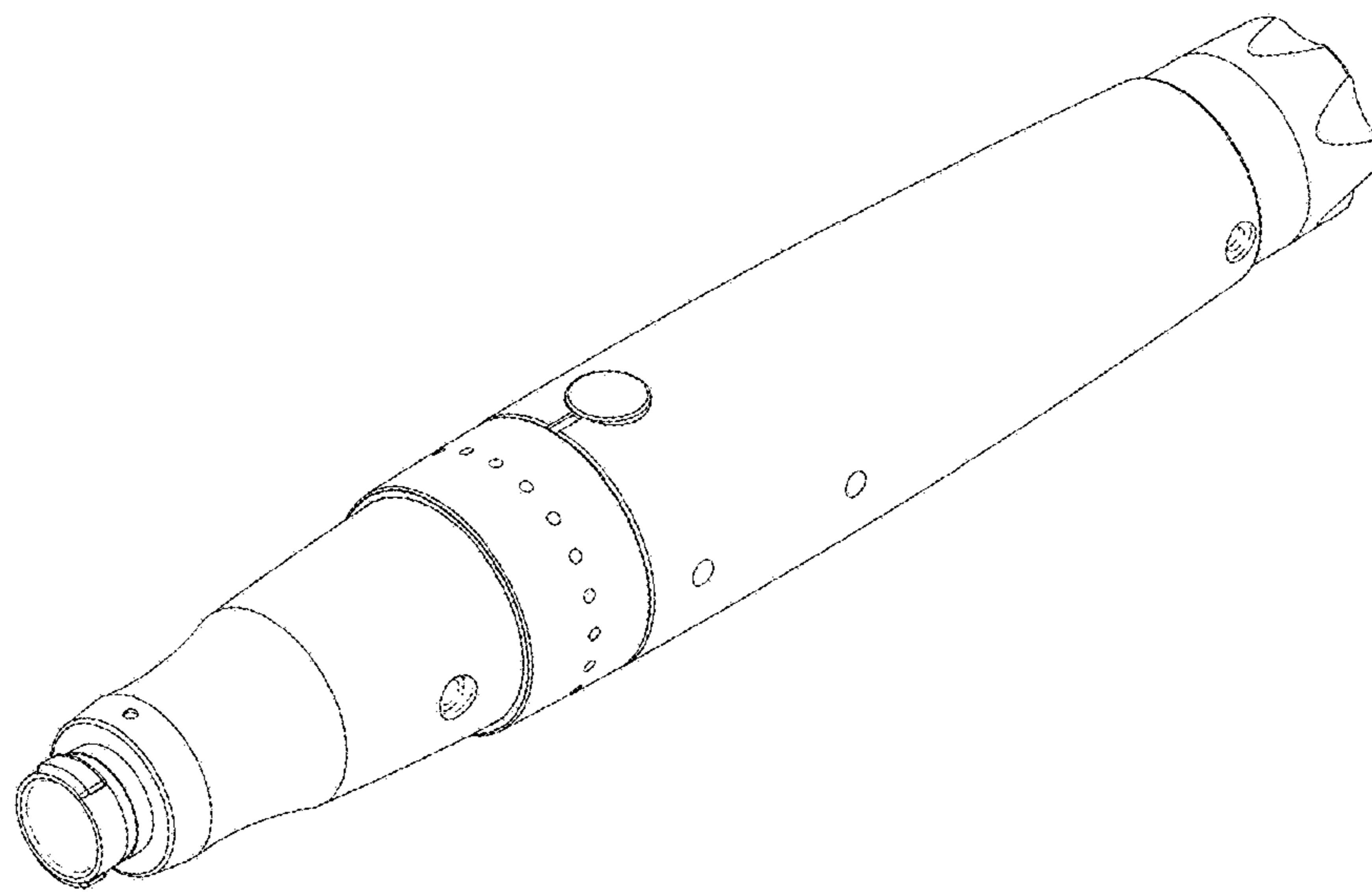


FIG. 1

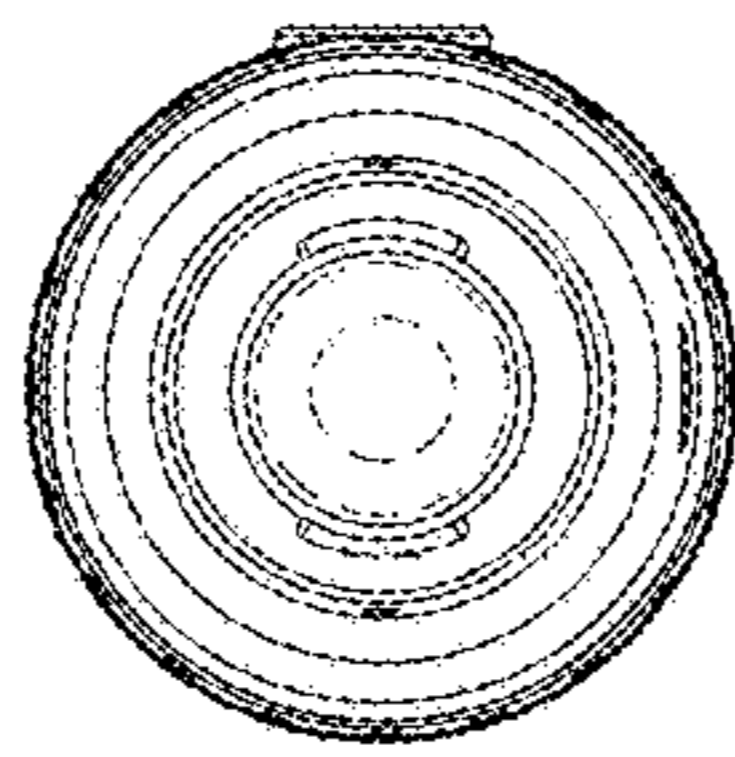


FIG. 2

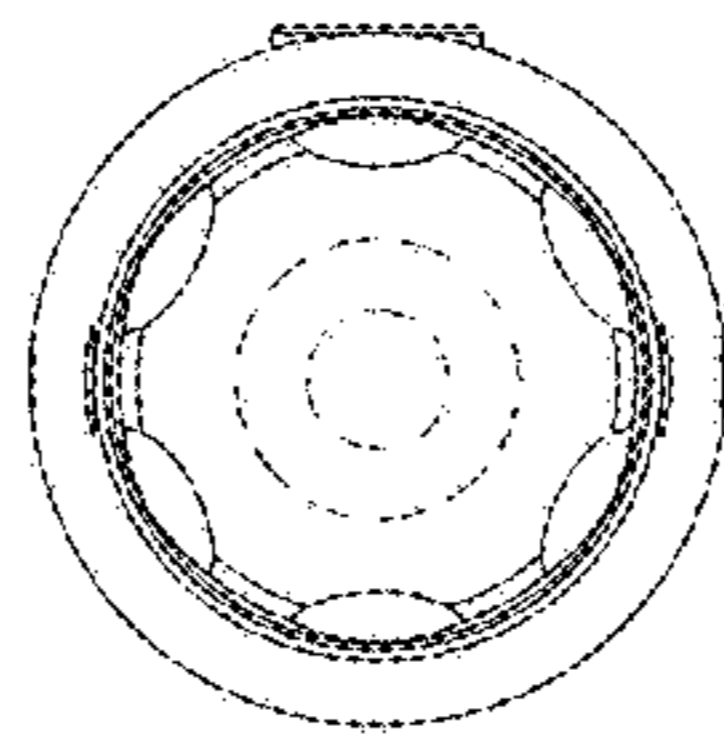


FIG. 3

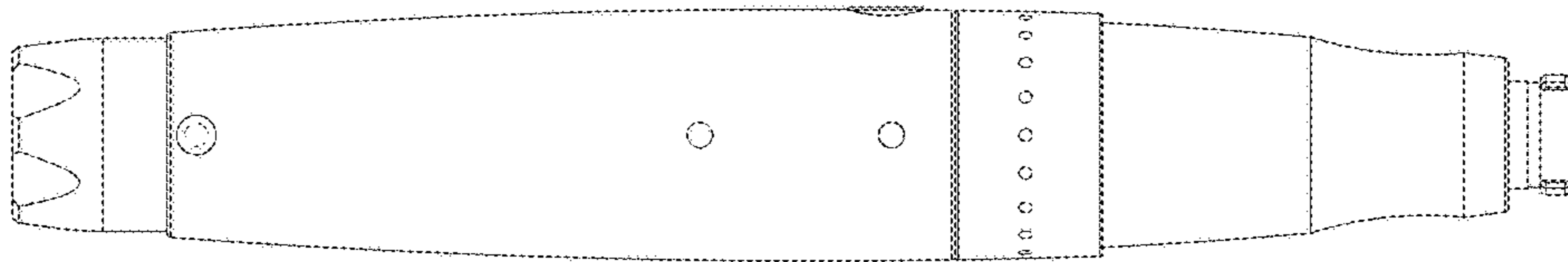


FIG. 4

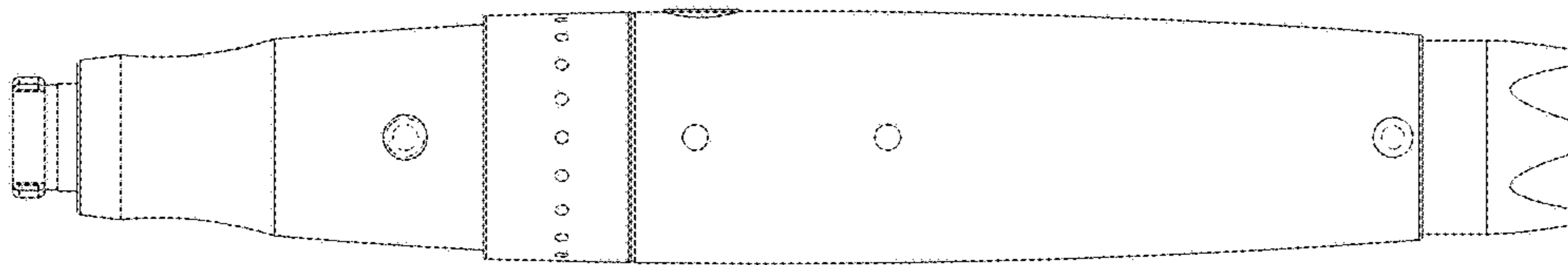


FIG. 5

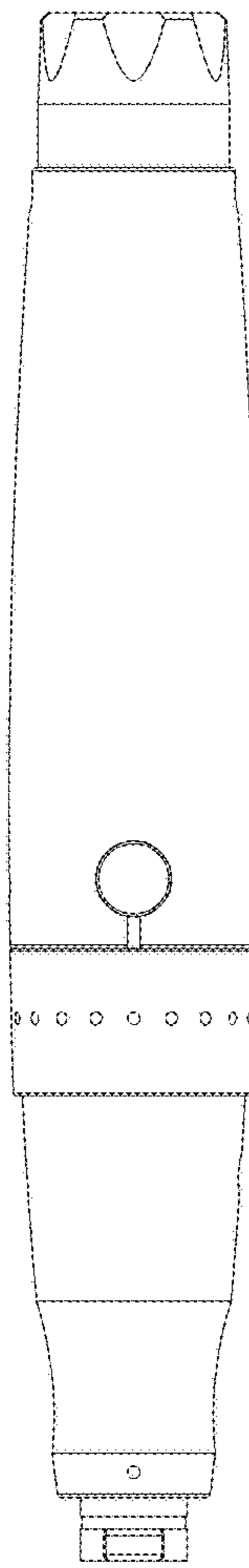


FIG. 6

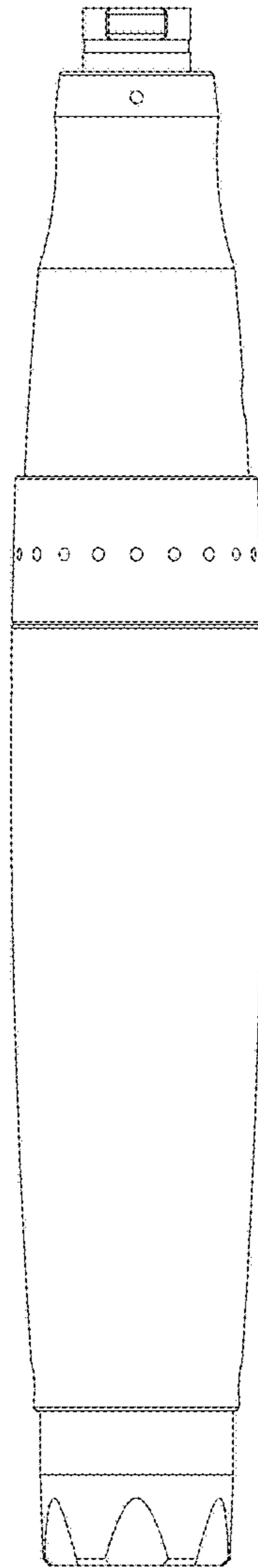


FIG. 7

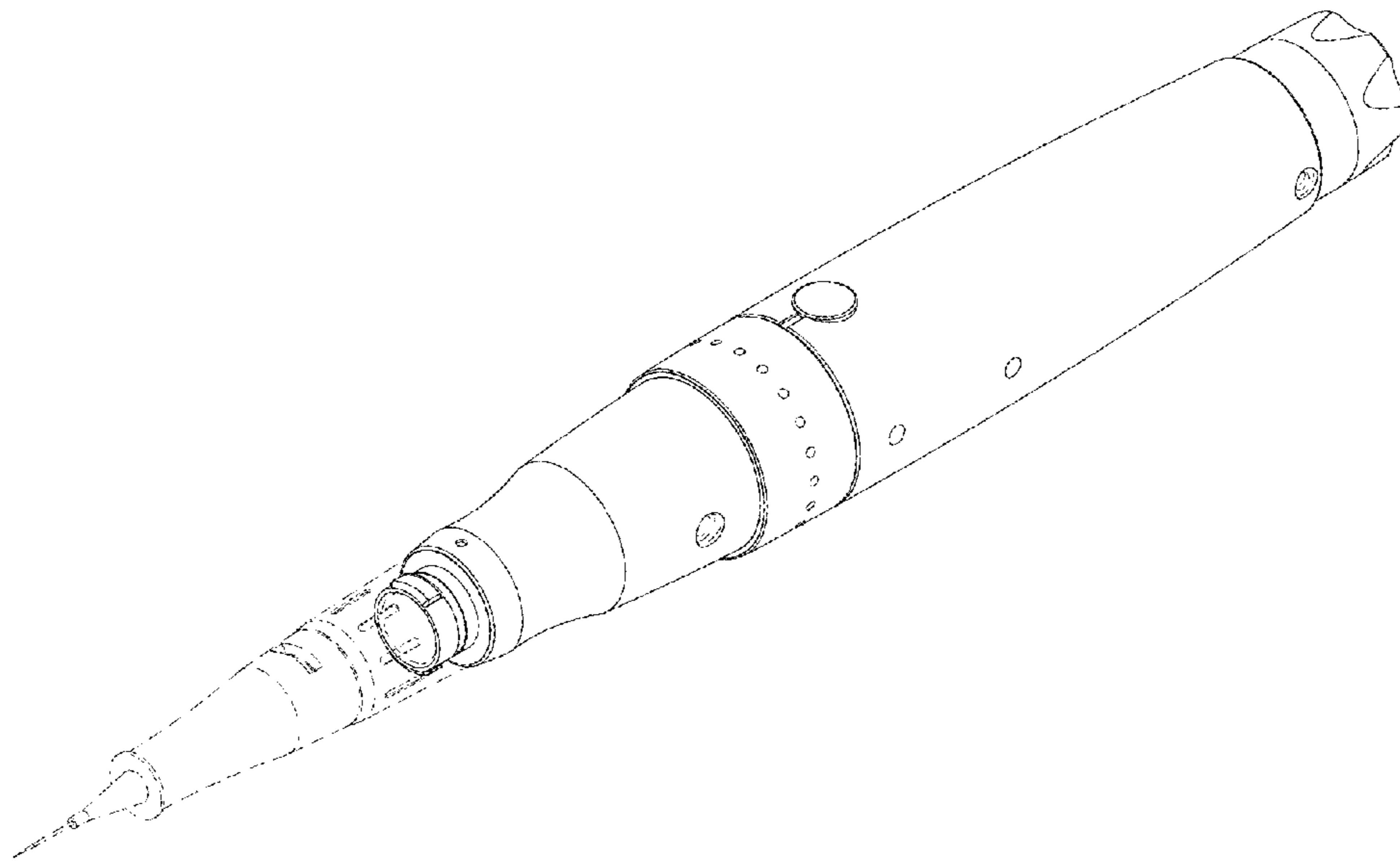


FIG. 8