



US00D805194S

(12) **United States Design Patent** (10) **Patent No.:** **US D805,194 S**
Dziak et al. (45) **Date of Patent:** **** Dec. 12, 2017**

(54) **BASE FOR ENTERAL FEEDING DEVICE**

(71) Applicant: **Avent, Inc.**, Alpharetta, GA (US)

(72) Inventors: **Katherine L. Dziak**, Cumming, GA (US); **Donald J. McMichael**, Roswell, GA (US); **Michael A. Schmidt**, Alpharetta, GA (US)

(73) Assignee: **Avent, Inc.**, Alpharetta, GA (US)

(**) Term: **15 Years**

(21) Appl. No.: **29/554,375**

(22) Filed: **Feb. 11, 2016**

Related U.S. Application Data

(62) Division of application No. 29/473,665, filed on Nov. 25, 2013, now Pat. No. Des. 749,721.

(51) **LOC (10) Cl.** **24-01**

(52) **U.S. Cl.**
USPC **D24/129**

(58) **Field of Classification Search**
USPC D24/127-131, 112-114, 133, 186;
606/181, 185; 600/101, 139, 143;
128/200.24, 207.14, 207.15
CPC . A61J 15/0049; A61J 15/0015; A61J 15/0073
See application file for complete search history.

(56) **References Cited**

U.S. PATENT DOCUMENTS

D351,398 S	10/1994	Meinzer	
D364,631 S *	11/1995	Hamamura	D16/133
6,019,746 A	2/2000	Picha et al.	
D423,537 S	4/2000	Lee	
6,589,158 B2	7/2003	Winkler	
D481,125 S	10/2003	Hayamizu	
D484,900 S	1/2004	Lee et al.	
D547,447 S	7/2007	Bruce et al.	

8,020,551 B2	9/2011	Virr et al.	
D650,478 S *	12/2011	Lewis	D24/129
8,142,394 B1 *	3/2012	Rotella	A61J 15/0015 604/100.03
8,177,742 B1 *	5/2012	Bagwell	A61J 15/0042 604/100.01
8,394,117 B2	3/2013	Hein et al.	
D679,393 S *	4/2013	Griffith	D24/129
D699,840 S	2/2014	Lombardi, III et al.	
D743,510 S *	11/2015	Lombardi, III	D23/262
D749,721 S *	2/2016	Dziak	D24/129
D751,193 S *	3/2016	Griffith	A61J 15/0065 D24/130
9,364,652 B2 *	6/2016	Griffith	A61J 15/0065
2006/0079843 A1 *	4/2006	Brooks	A61M 5/14546 604/151

(Continued)

Primary Examiner — David G Muller

Assistant Examiner — Nathan M Johnston

(74) *Attorney, Agent, or Firm* — Dority & Manning, P.A.

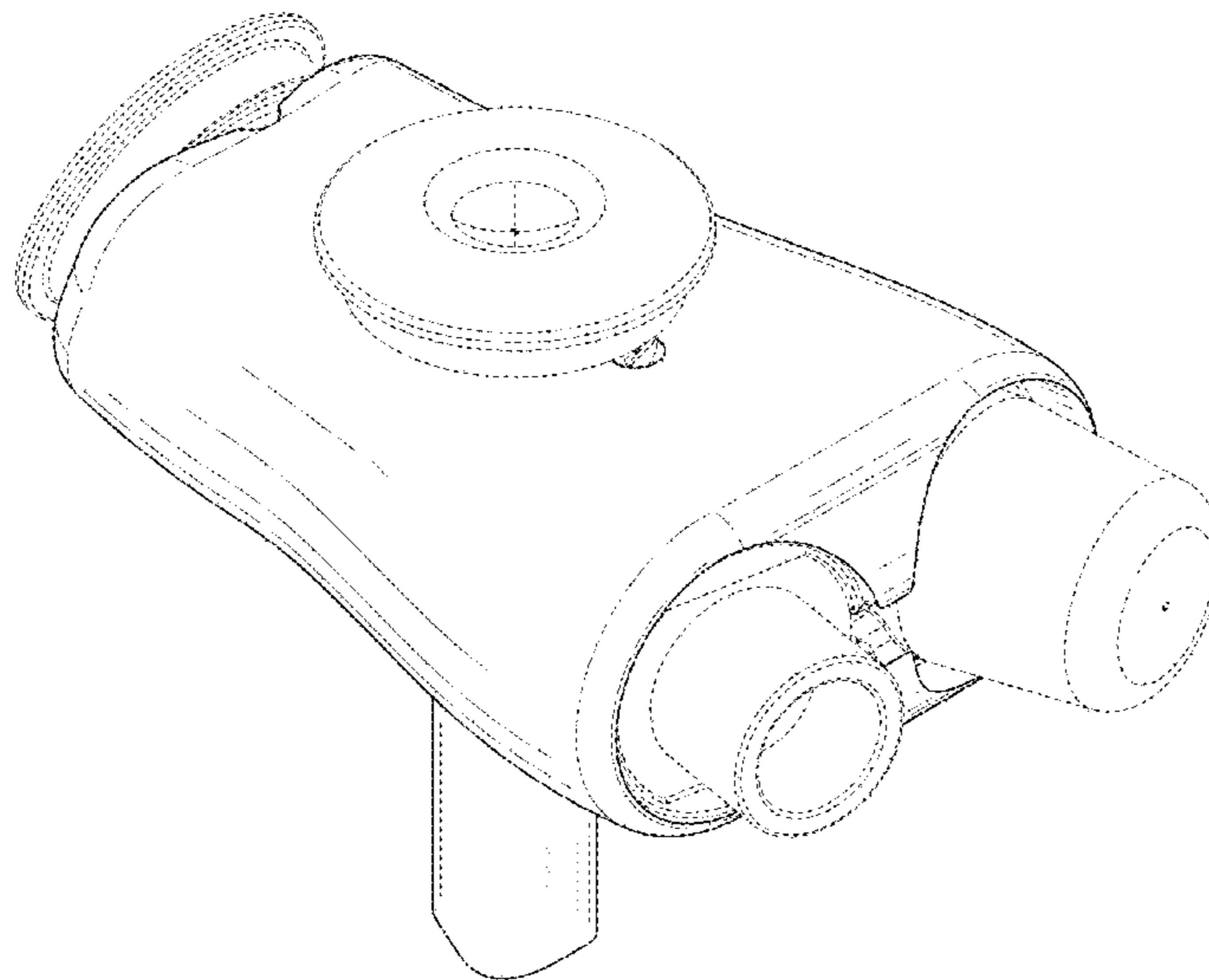
(57) **CLAIM**

We claim the ornamental design for a base for an enteral feeding device, as shown and described.

DESCRIPTION

FIG. 1 is a perspective view from above and from the rear and side of the device;
FIG. 2 is a perspective view thereof from below and from the side;
FIG. 3 is a right side elevation view thereof;
FIG. 4 is a first end elevation view thereof;
FIG. 5 is a second end elevation view thereof;
FIG. 6 is a left side elevation view thereof;
FIG. 7 is a top plan view thereof; and,
FIG. 8 is a bottom plan view thereof.
The broken line showing of parts of the drawings is included for the purposes of illustrating use and environment and forms no part of the claimed design.

1 Claim, 7 Drawing Sheets



(56)

References Cited

U.S. PATENT DOCUMENTS

2008/0110455	A1*	5/2008	Dunsmore	A61M 16/00 128/200.24
2011/0204621	A1	8/2011	Whitaker et al.	
2011/0204622	A1	8/2011	Lewis et al.	
2011/0210541	A1	9/2011	Lewis et al.	
2012/0029483	A1*	2/2012	Griffith	A61J 15/0015 604/535
2012/0089128	A1	4/2012	Rotella et al.	
2014/0323966	A1*	10/2014	Dziak	A61J 15/0069 604/98.01

* cited by examiner

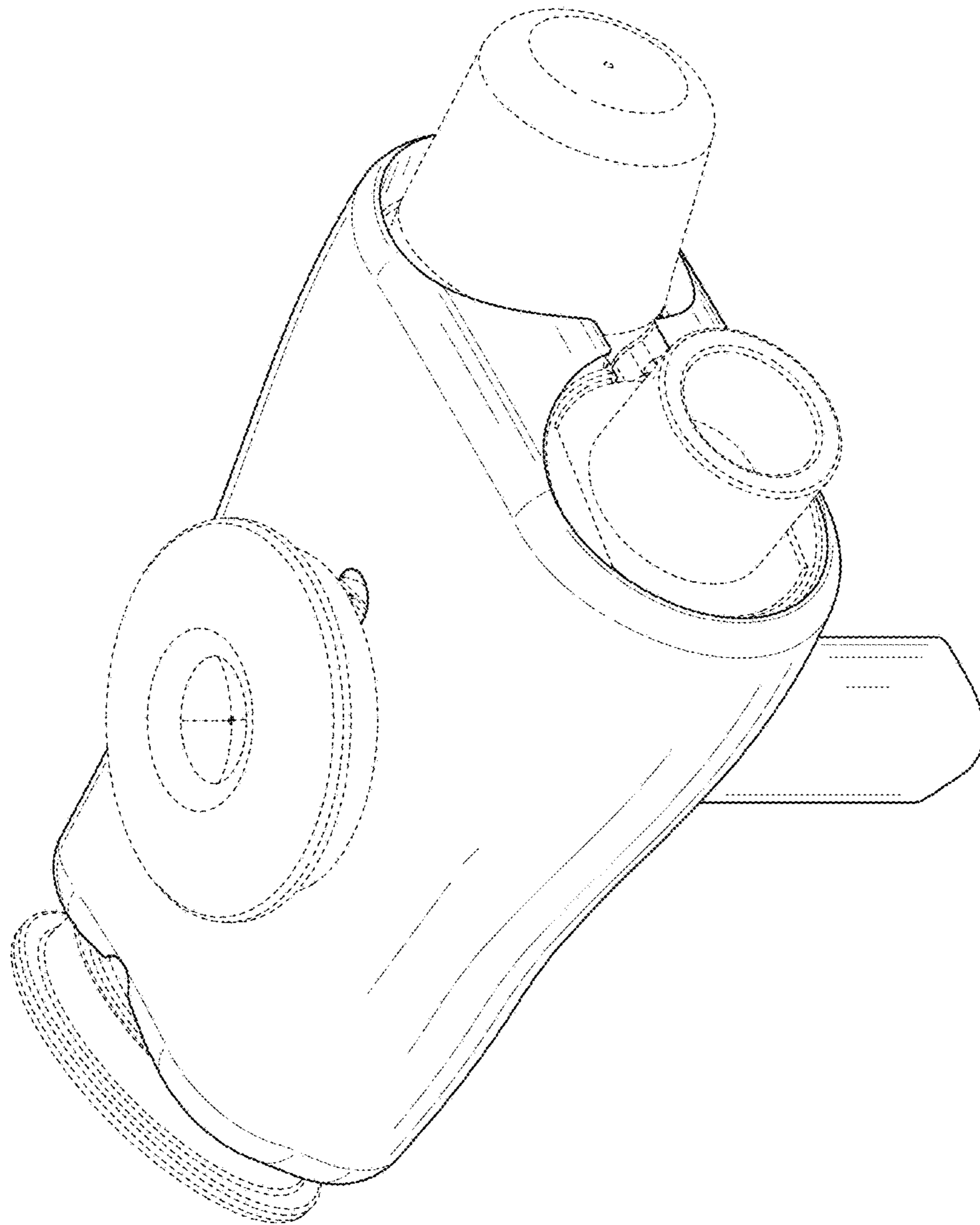


FIG. 1

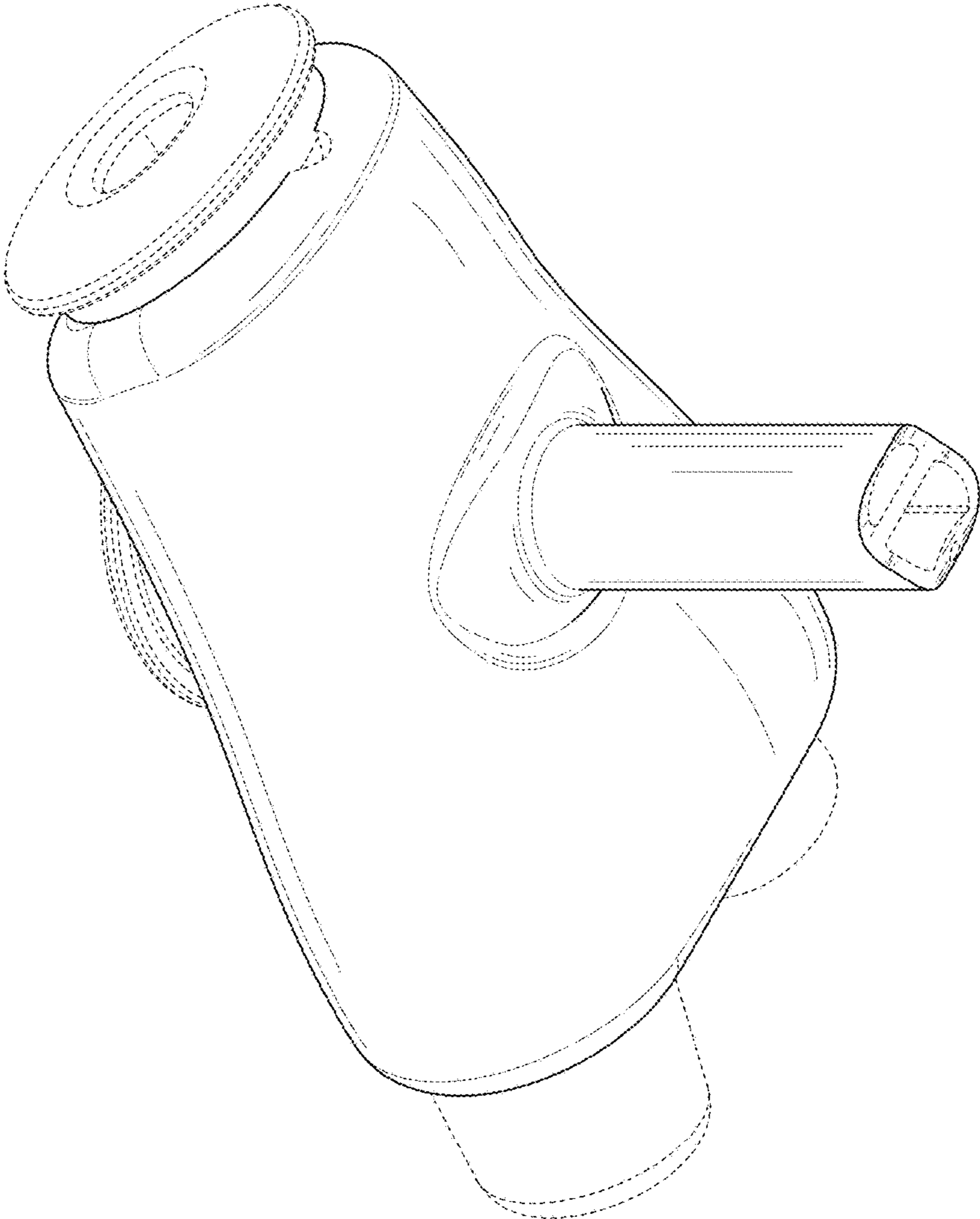


FIG. 2

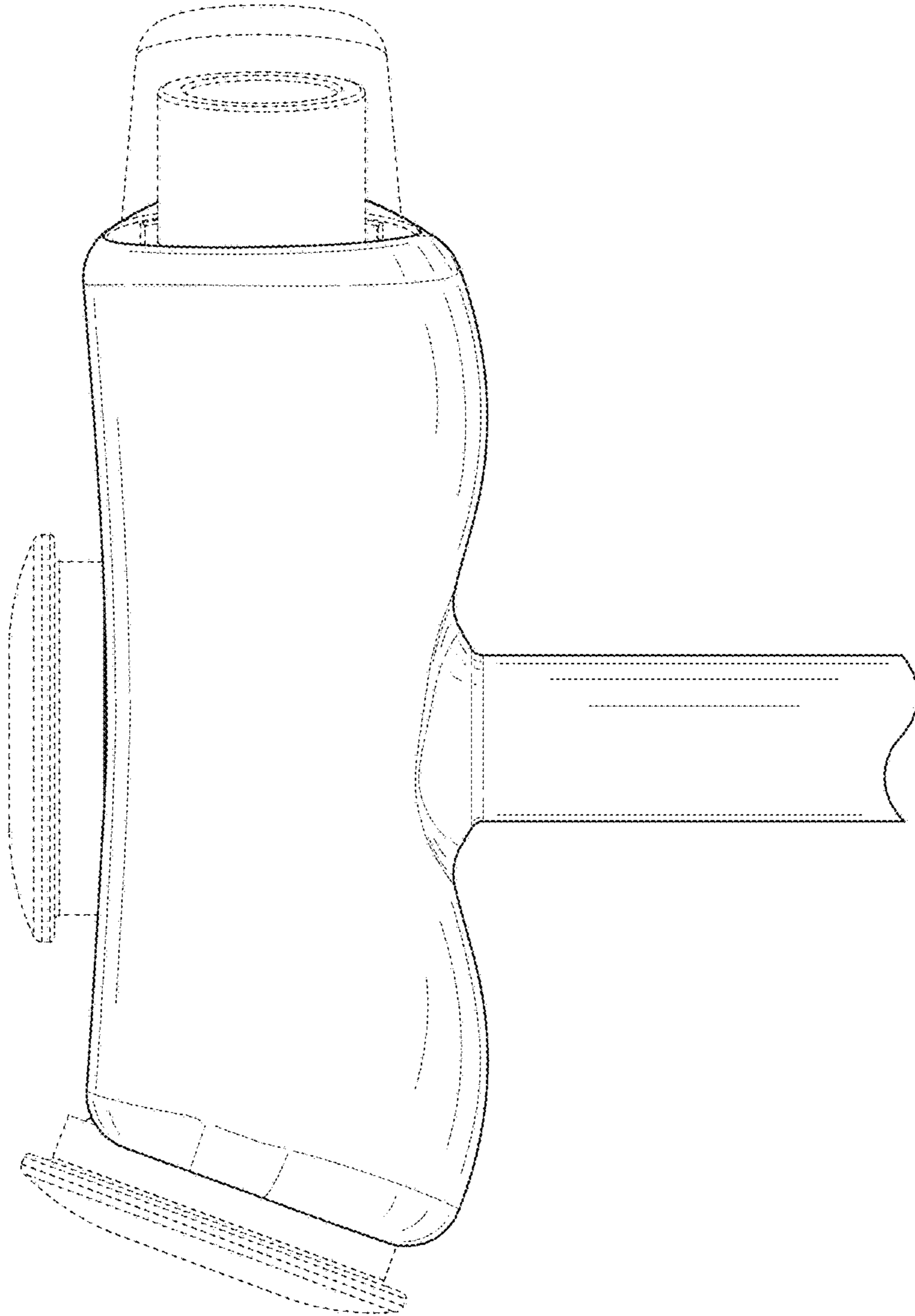


FIG. 3

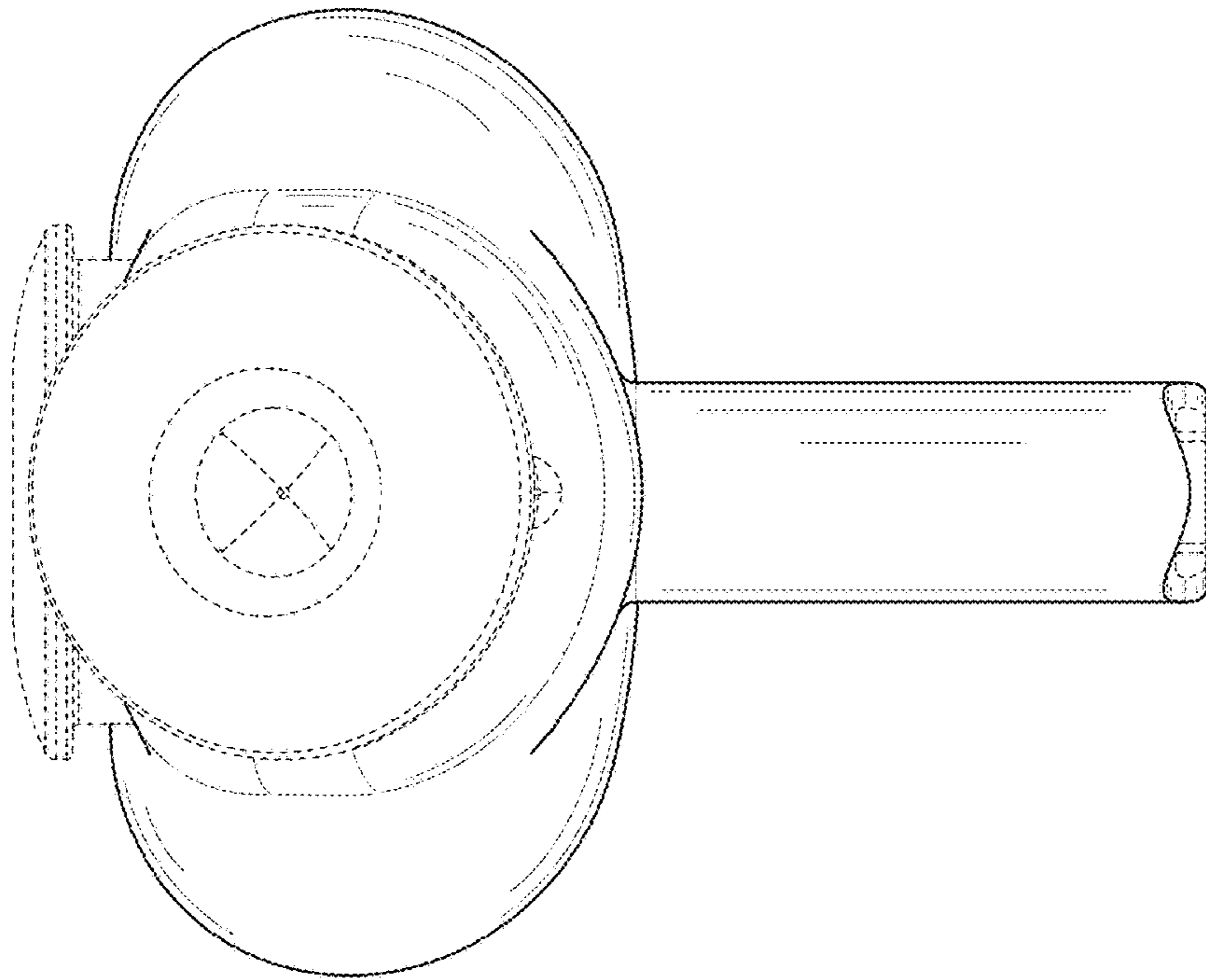


FIG. 5

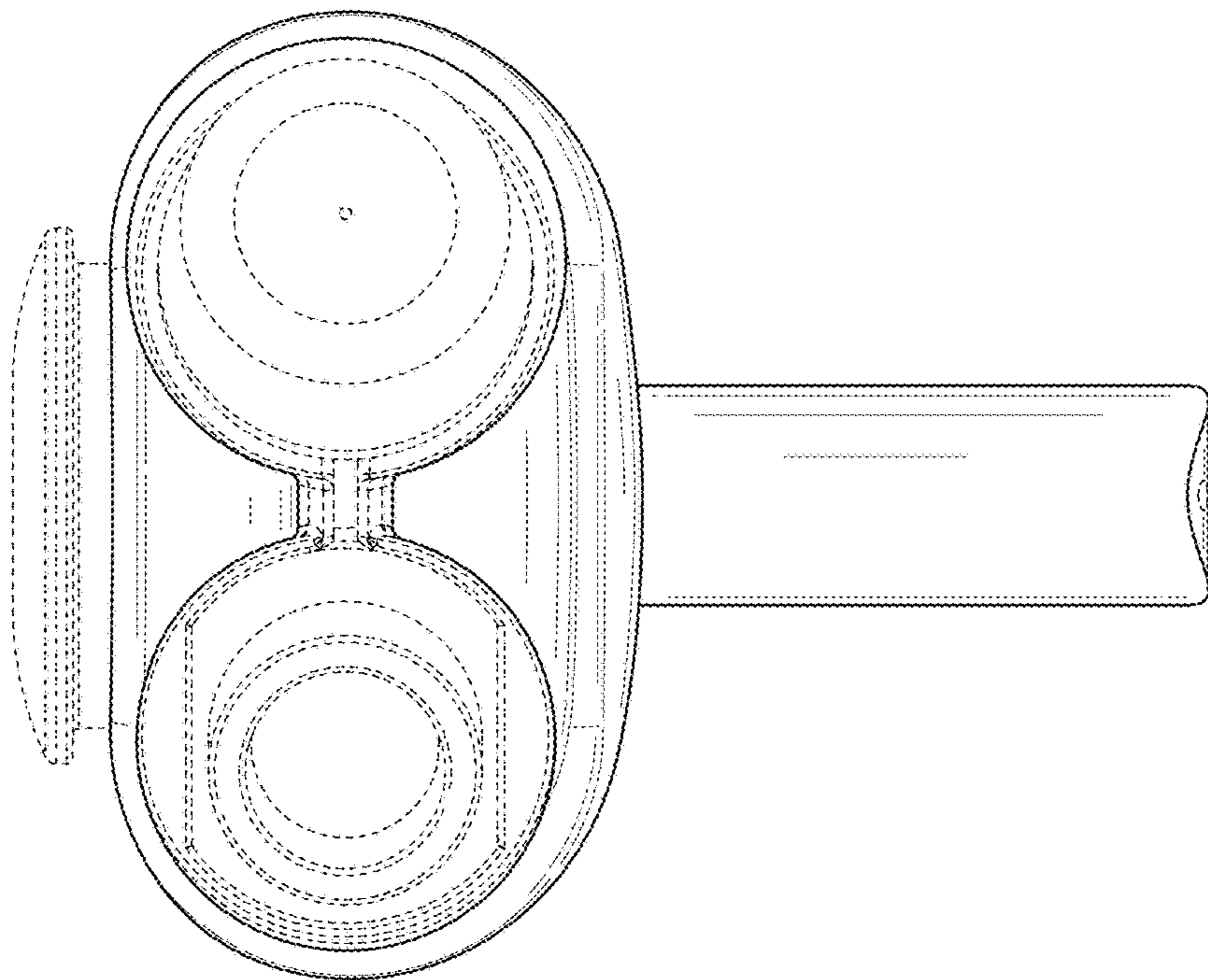


FIG. 4

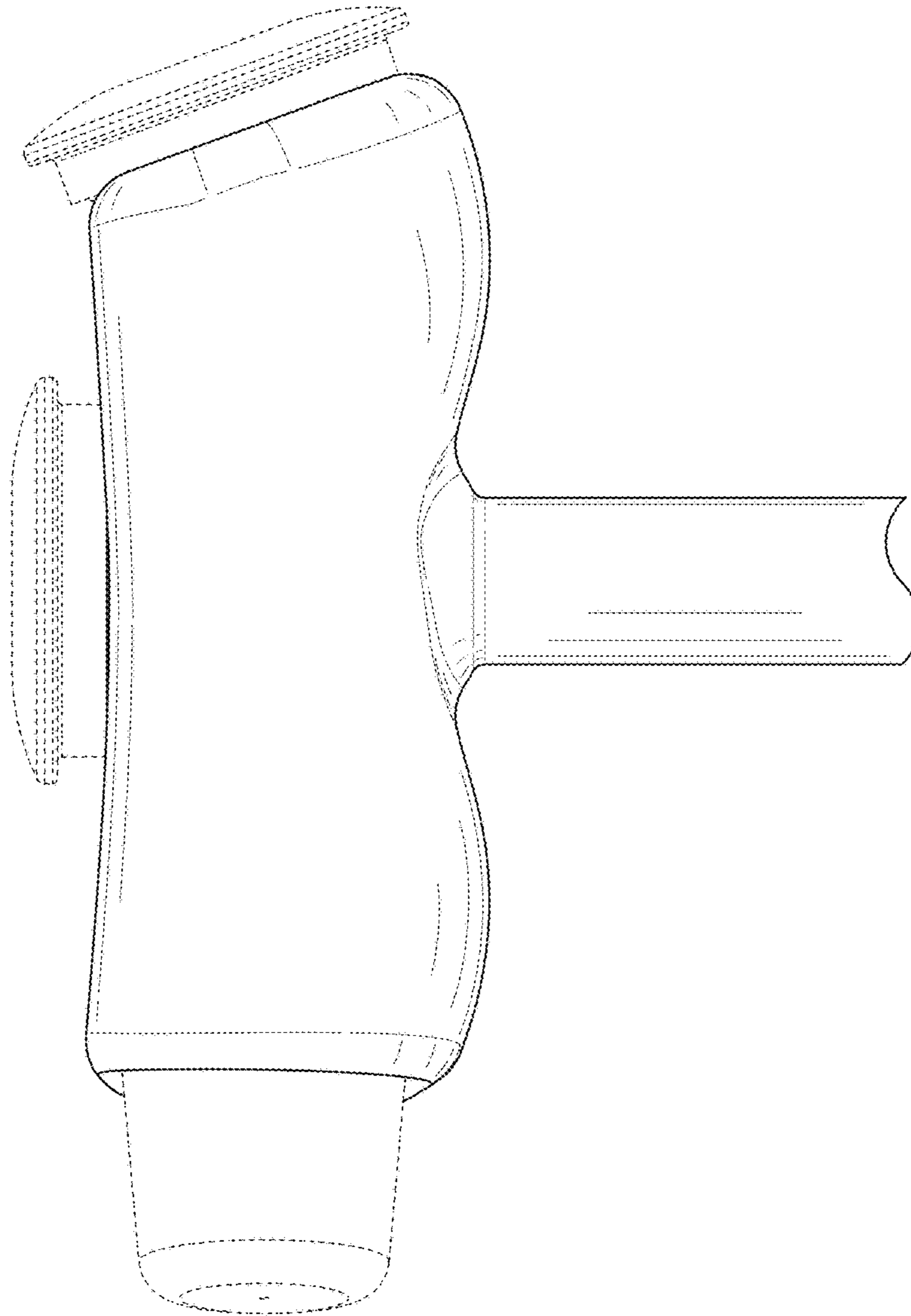


FIG. 6

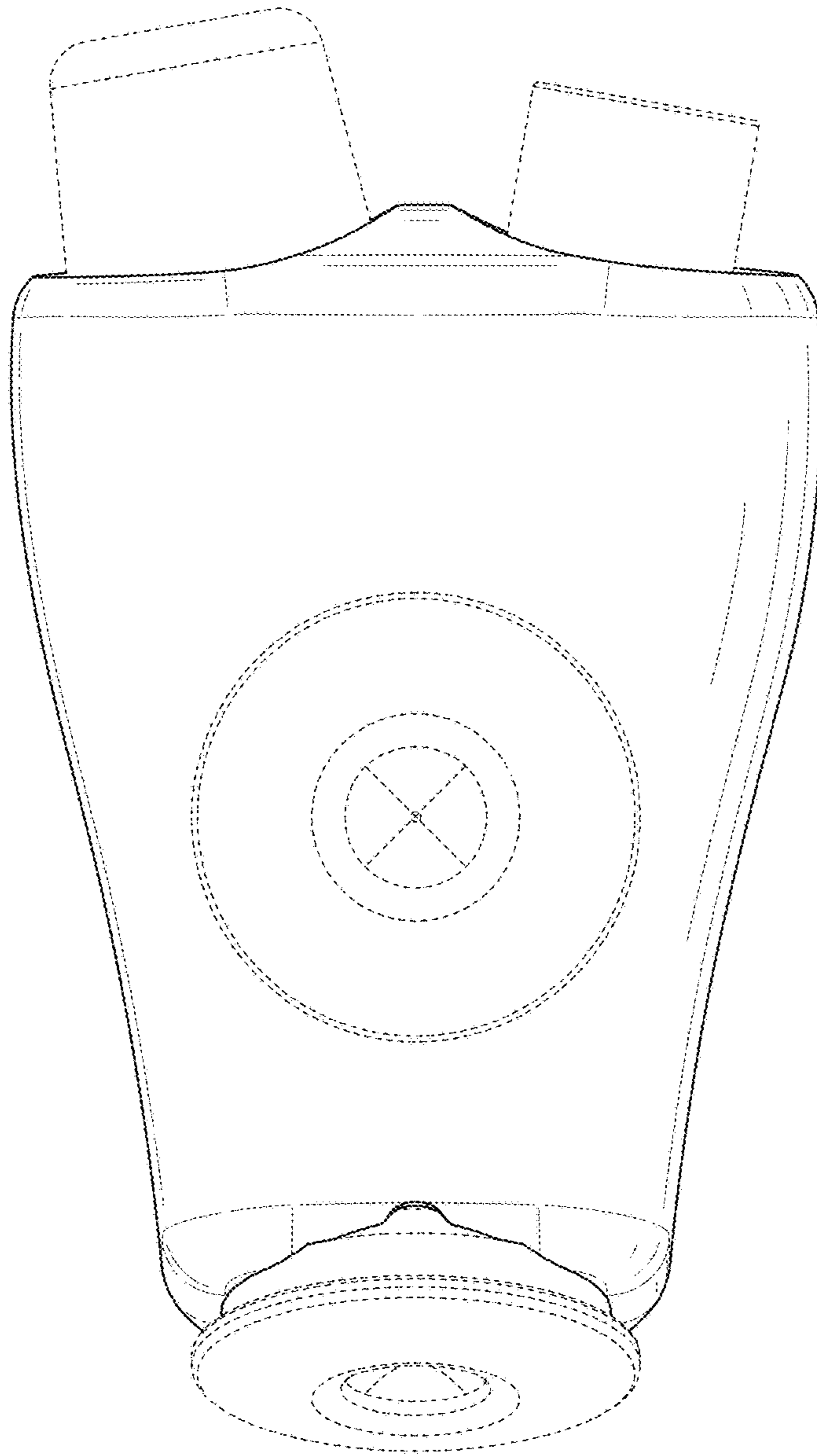


FIG. 7

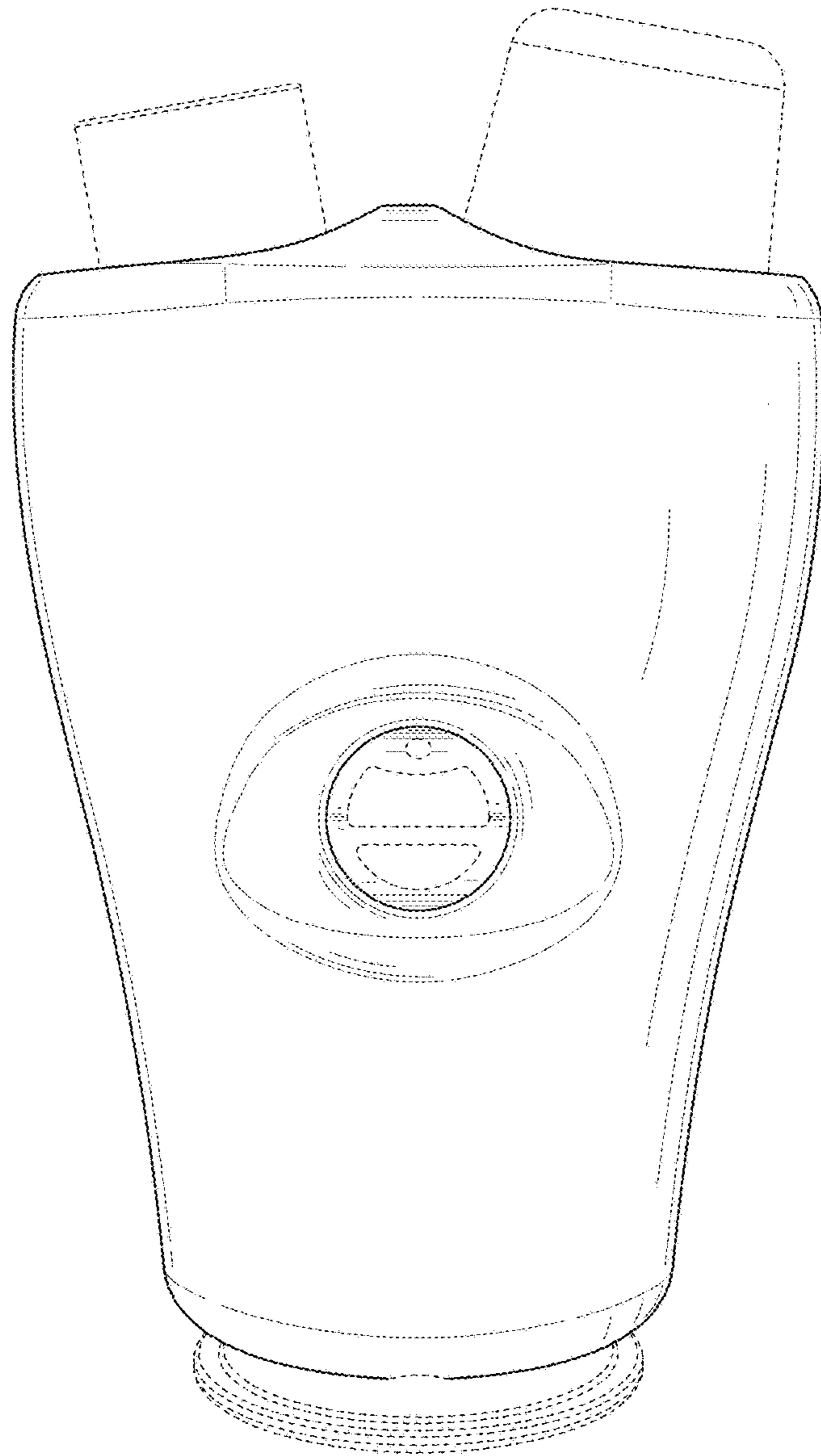


FIG. 8